



PORSCHE

The Porsche Multi-Point Inspection Report

The Porsche Multi-Point Inspection Report is a series of thorough vehicle "health checks" performed by factory-trained Porsche technicians. It is designed to keep your Porsche operating in top condition and to minimize your chances of being inconvenienced on the road. If additional service is recommended on any listed item, your Porsche Service Advisor will be happy to speak with you about your options.

Rob Lay

2015

Customer Name

Year/Model

Engine Size

786822 T1661

12917

WP0AC2A9XFS183635

06/27/2018

RO/Tag

Mileage

VIN

Date

Checked and Okay at this Time

May Require Future Attention*

Requires Immediate Attention

Check Fluid Levels and Fill

OK	FILL	Item	OK	FILL	Item
✓	✓	Engine Oil	✓	□	Brake Reservoir
✓	✓	Windshield Washer	✓	□	Headlamp Washer
□	□	Power Steering	✓	□	Coolant Recovery Reservoir
□	□	Transmission (if equipped w/ dipstick)			

Check Following Systems / Components

- ✓ ● Operation of horn, interior lights, exterior lamps, turn signals, hazard and brake lamps
- ✓ ● Visually inspect headlamp alignment
- ✓ ● Windshield washer spray, wiper operation and wiper blades
- ✓ ● Windshield cracks and/or chips
- ✓ ● Heating, ventilation and air conditioning check
- ✓ ● Engine air cleaner filter
- ✓ ● Oil and/or fluid leaks
- ✓ ● Constant velocity (CV) drive axle boots (if equipped)
- ✓ ● Exhaust system (leaks, damage, loose parts)
- ✓ ● Steering and steering linkages
- ✓ ● Shocks/struts, air suspension and other suspension components for leaks and/or damage
- ✓ ● Brake system (including lines, hoses and parking brake)
- ✓ ● Engine cooling system, hoses and clamps
- ✓ ● Radiator, heater and air conditioning hoses for leaks / damage
- ✓ ● Accessory drive belt(s)
- ✓ ● Clutch operation (if equipped)
- ✓ ● State inspection due (if applicable) _____ / _____ / _____
Month / Day / Year
- ✓ ● Your last completed maintenance _____ : _____ / _____
Mileage / Month / Year
- ✓ ● Your next factory scheduled maintenance is due at _____ : _____ / _____
Mileage / Month / Year

This Courtesy Inspection Completed By Your Porsche Service Team

Service Advisor: Justin Nevitt

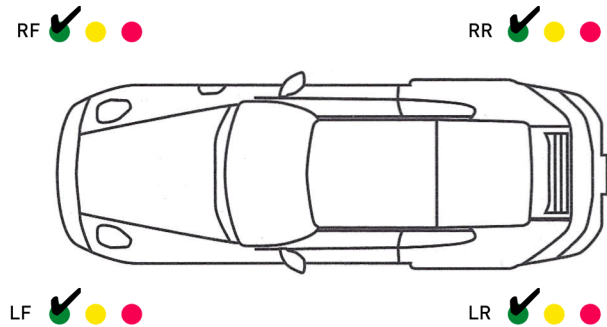
Technician: Denis Session

Customer Signature: _____

Check Battery

- ✓ Good
- Recharge
- Bad

Check Brakes Measure Front / Rear Brake Linings



Over 5mm or 7/32"

3 to 5mm or 4/32" to 7/32"

Less than 2mm or 3/32"

Brake Measurements Not Taken This Service Visit

Check Tires

LF	TREAD DEPTH	RF
✓ 7/32" or Greater		✓ 7/32" or Greater
● 4/32" to 6/32"		● 4/32" to 6/32"
● 3/32" or Less		● 3/32" or Less
✓ 7/32" or Greater		✓ 7/32" or Greater
● 4/32" to 6/32"		● 4/32" to 6/32"
● 3/32" or Less		● 3/32" or Less

LR	Wear Pattern / Damage	RR
✓ ●	Tire Wear Indicates	✓ ●
● ●		● ●

Alignment Check Needed Wheel Balance Needed

Tire Pressure Set to
Factory Recommendations PSI _____ Front _____ Rear

*Brake/tire replacement will be required prior to the next 10,000 mile scheduled maintenance service.

Comments:

Left Front Brake Linings: 9MM

Right Front Brake Linings: 9MM



PORSCHE

Comments:

Left Rear Brake Linings: 10MM

Right Rear Brake Linings: 10MM

Left Front Tread Depth: 6/32

Right Front Tread Depth: 6/32

Left Rear Tread Depth: 7/32

Right Rear Tread Depth: 7/32

A large rectangular area containing horizontal lines for text entry, serving as a comment field.