

The present document was valid at the time of print. A later version may be available online

WM 170117 Changing engine oil and oil filter

Technical values

Location	Description	Type	Basic value	Tolerance 1	Tolerance 2
Screw plug on oil pan	Hexagon socket, M18 x 1.5	Tightening torque	50 Nm (37 ftlb.)		

Draining engine oil

Draining engine oil



Hot fluid

- Danger of scalding

→ Let the fluid cool down.

→ Wear personal protective gear.

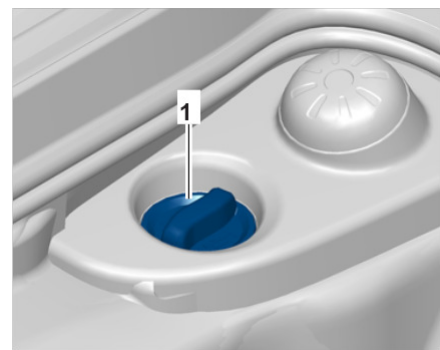


Information

Only use engine oils that have been tested and approved by Porsche AG.

- *Dispose of waste oil in accordance with legal requirements in your country.*

1. Open the rear luggage compartment lid.
2. Open cap **-1-** on service tray.



Oil filler cap

3. Unscrew the oil drain plug at the oil pan (a/f 8 hexagon socket) and drain the engine oil into a suitable container.

- 3.1. Replace sealing ring.
4. After draining the engine oil, fit the oil drain plug with a new sealing ring.

[Tightening torque 50 Nm \(37 ftlb.\)](#)

5. If the cap is damaged, it must be replaced.

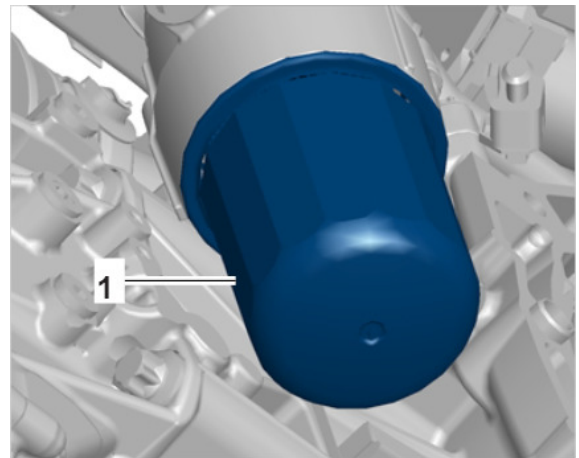
Changing oil filter



Information

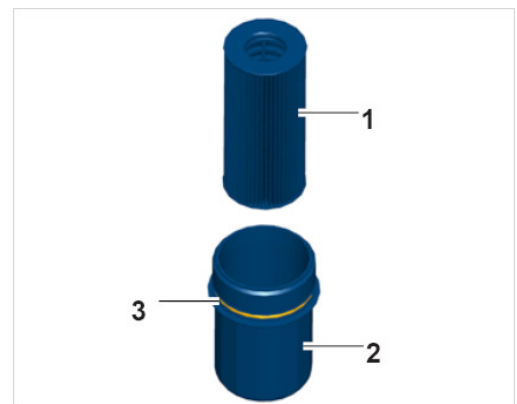
- Never use a sharp object to remove or fit the O-ring on the oil filter cover.
- Do not scratch the sealing surface of the oil-filter housing.

The oil filter -1- is located on the underside of the engine:



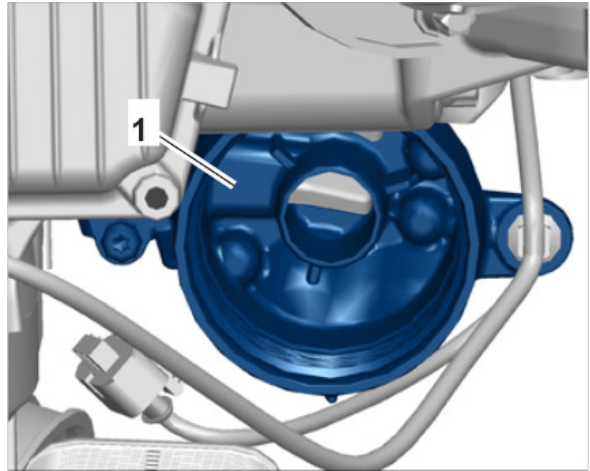
Oil filter

1. Loosen oil filter cover using oil filter tool.
2. Carefully remove the oil filter cover -2- and wipe off residual oil with a cloth.
 - 2.1. Pull the filter element -1- out of the housing using a cloth and wrap it in the cloth.
 - 2.2. Lever off the old O-ring -3- on the oil filter cover using a plastic spatula.



Oil filter cover and filter element

3. Clean oil filter cover thoroughly inside and out.
 - 3.1. Fit a new O-ring and grease lightly with Klüber Syntheso Glep (Part No. 000.043.204.68).
4. Clean the oil-filter housing -1- with a clean cloth.



Oil-filter housing

5. Fit new filter element - it can be fitted on either side.
6. Screw in the oil filter cover and tighten to the specified torque.

Filling engine oil

Filling in engine oil

1. The service opening for engine oil is located at the rear right of the luggage compartment.



Caution

Incorrect oil level

- **Damage to engine and catalytic converter.**

→ Always observe specification for oil fill quantities.



Information

Only use engine oils that have been tested and approved by Porsche AG.

- *Dispose of waste oil in accordance with legal requirements in your country.*

2. Slowly pour in new engine oil using a clean container or filler nozzle.

Observe the prescribed filling capacity!

Engine oil filling capacities:

– **Engine oil change quantity (without oil filter):**

→ **Tightening torque: 7.25 litres**

– **Engine oil change quantity (with oil filter):**

→ **Filling capacity: 7.5 litres**

– **Engine oil quantity for new engine:**

→ **Filling capacity: 10.1 litres**

3. Screw the lid tight.

4. Check engine-oil level.

→ *170101 Checking engine-oil level.*

981320, 981321, 981330, 981331, 981120, 981121, 981130, 981131

Model year as of 2012

C00, C02, C05, C06, C07, C08, C09, C10, C11, C12, C13, C14, C15, C16, C17, C18, C19, C20, C21, C22, C23, C24, C25, C26, C27, C28, C32, C33, C34, C35, C36, C37, C38, C39, C41, C45, C45, C46, C96, C97, C98, C99