

2020 Catalog www.RestorationStuff.com

RESTORATION SUPPLY COMPANY

Supplying Period-Correct Restoration Products & Accessories
to the Pre-War Vehicle & Marine Enthusiast for 32 Years!



15182 Highland Valley Road, Escondido, CA 92025
(800) 306-7008 or (760) 741-4014, 24hr FAX: (760) 739-8843
Email: Info@RestorationStuff.com

New & Popular Products & Accessories

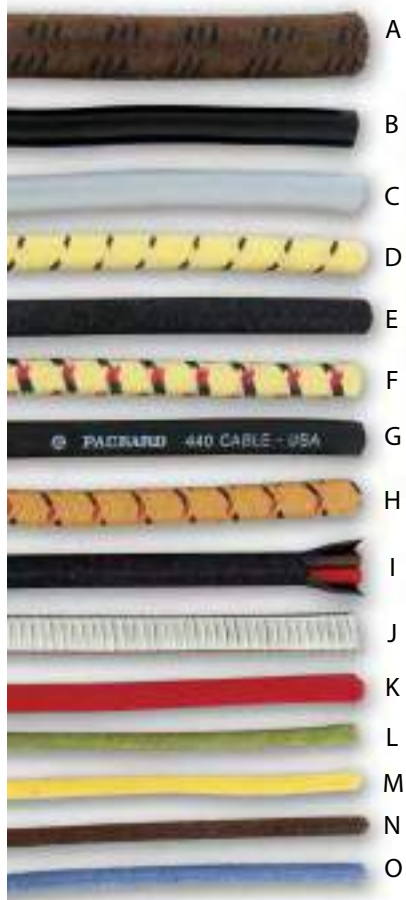


Page 2
Magneto Drive
Coupling

Page 20
Carburetor
Floats



Page 4
Spark Plug &
Electrical Wires



Page 13
Gano Filters



Page 24
Penrite
Lubricant



Page 15
Red Hose

Table of Contents

—A—

Accessory Lights 11
Acetylene Burner Tips 2
Acetylene Lamp Lenses 2
Acorn Nuts 43
Adapters, Grease Gun 17
Adhesives 60
Adjusters, Sliding Arm 53
Air Pump Hose 26
Alemite Fittings 17
Aluminum Molding 28-29
Aluminum, Pyramid 33

—B—

Bakelite Caps 8
Bakelite Plugs 8
Band Clamps 14
Bar Soap 59
Battery Brush 5
Battery Cable 4
Battery Clamps 5
Battery Disconnects 6
Battery Lugs 5
Battleship Linoleum 32
Bearing Grease 23
Beeswax 59
Black Oxide Kit 60
Blue Steel Tacks 35
Body Cushion 51
Body Nails 35
Bolts 40-41
Books 66
Bosch "A" Coil 65
Braided Sleeving 11
Brake Band Springs 46
Brass Coating, Spray 60
Brass Conduit 11
Brass Flat Bar 30
Brass Float 20
Brass Hinges 52
Brass Hose Clamps 14-15
Brass Molding 28-29
Brass Rivets 39
Brass Sheets 30
Brass Tubing 30
Buckles 48
Bulb Horn Parts 63
Bullet Light, LED 10
Bumper Bolts 41
Bus Bar, Electrical 12

—C—

Carburetor Floats 20
Carriage Bolts 41
Carriage Keys 52
Carriage Knob & Eyelet 50
Ceramic Paper 27
Ceramic Tape & Rope 27
Chassis Paint 60
Clamps, Brass 14-15
Clamps, Hose 14-15
Clamps, Tube, Line 12
Cleaning Supplies 59
Clevis Pins 47
Clip, Spring 3
Coco Mat 34
Coil Boots 2
Coil Box Latch Assembly 53
Coils, Ignition 2
Common Sense Fasteners 50
Conduit 11
Connectors, Plug-in 5
Contact Cement 60
Control Swivels 47
Coolant 16
Cork Block 20
Cork Gasket, Sed. Bowl 20
Cork Flooring 32
Cotter Pins 50
Cowl Lacing 51
Crank Holders 49

Crown Nuts 43
Cylinder Head Nuts 43

—D—

Dash Lamps 10
Decals & Emblems 65
Delrin Rod 31
Distributor Boots 2
Distributor Cap Terminals 3
Door Latches, Locks 52
Door Latch Springs 46
Draw Bolts 53
Draw Fasteners 53
D-Rings, Brass 48
Drain Cock, Brass 18
Drip Rail Moulding 29
Drive Coupling Material 58
Drive Screws 41

—E—

Electrical Connectors 5
Electrical Fuel Pump 20
Electrical Insul. Coating 12
Electrical Plugs, Sockets 8
Electrical, Solenoids 6
Electrical Switches 6-7
Electrical Tape, Friction 12
Electrical Wire 4
Emblems & Decals 62,65
Enots Fittings 17-18
Epoxy 61
Escutcheon Pins 35
Evans Coolant 16
Eyelets, Conduit 11
Exhaust Cutout 26
EZ Turn Lube 20

—F—

Felt 45
Fender Welt 51
Ferrules 11
Fillister Head Screws 38
Flashers, Electrical 6
Float Material 20
Floor Board Trim 29
Floor Covering & Mat 32,34
Footman Loops 48
Friction Tape 12
Fuel Preservative Stabilizer 60
Fuel Pump, Electrical 20
Fuel Pump Repair Kits 21
Funnels 21
Fuse Block & Fuses 12

—G—

Gano Heater Core Filters 13
Gano Radiator Filters 13
Gas Tank Etch 60
Gas Tank Sealer 60
Gaskets 45
Gauge, Gas Red Fluid 20
Gauntlets 64
Gear Oil 22-25
German Silver Conduit 11
German Silver Rivets 39
German Silver Round Stock 30
German Silver Sheet, Wire 31
Goggles 64
Grease 23-25
Grease Cups 19
Grease Fittings 17
Grease Gun Adapters 17
Guide Dowels 54

—H—

Halogen Bulbs 9
Halogen Conversion Kit 10
Halogen Reflector Kit 10
Handy Bearing Packer 17
Hasps, Brass 53

Headlamp Plug Socket 8
Headlamp Lenses, Burners 2
Headlamp Refl., Gaskets 10
Head Nuts 43
Helmets, Leather/Cotton 64
Hex Nuts 42
Hex Stock 30
High Head Bolts 40
High Temperature Sleeve 27
Hinge Pins 47
Hinges 52
Hirsch Products 60
Hood Corners, Bumpers 51
Hood Lace, Hooks 51
Hood Latch 53
Hood Strap Leather 49
Hood Strap Springs 49
Hooks 48
Horn Button 7
Horns Parts, Bulbs 63
Hose Clamps 14-15
Hose, Radiator 15
Hose, Vacuum 55

—I-J-K—

Ignition Coils 2
IHC Rubber Mat 32
Insulation 34
Jiffy Rivets 39
Klaxon Horn Button 7
Klaxon Horn Terminal 7
Knurled Nuts 3,42

—L—

Lace, Double Bead 51
Lacquer Spray 60
Lamp, Dash 10
Lamp Plug, Caps & Sockets 8
Lamp Wicks 2
Latches, Brass 52
Latch Cover & Key 52
Latching Rail Hinges 50
Leather Belts and Loops 49
Leather Cleaner 59
Leather Conditioner 59
Leather Helmets 64
Leather Tool, Punch 49
Leather Trunk Handles 54
Leather Hood Straps 49
LED Bullet Lights 10
LED Replacement Bulbs 10
Lens Clips 10
Lenses, Headlamp 2
Lever Nuts 42
License Plate Frames 65
Life Lines, Motor Car 66
Light Bulbs 9-10
Light Sockets 8
Lights, Accessory 11
Linen Cord 12
Link Belt 58
Linoleum & Glue 32
Lock Compartment 53
Lock Washers 44
Lubricants 22-25
Lubrication Fittings 17-19
Lubriplate 22-23
Lunkenheimer Grease Cups 19

—M—

Magneto Drive Coupling 2
Magneto Terminals 2
Meropa 1500W Gear Oil 23
Metal Gloss 59
Mirrors 56-57
Molding, Half Oval 28-29
Molding, Round 28-29
Motometers 62
Motor Oil 22-25
Muffler Sections 27

Muffler Wrap 27
Murphy Fasteners 50

—N-O—

Nails 35
Nitrophyl® Float Material 20
No-Rosion® 16
Nuts 42-43
Oil 22-25
Oil Cups 18-19
Oil Guns 17
Oilers 19
Oval Iron 28

—P—

Packing, Graphite 16
Padlocks, Brass 53
Paint, High Temp 60
Penrite Lubricants 24-25
Pigtails 8
Pin Molding 28
Plugs, Pipe 18
Plugs, Push In 8
Plugs, Socket 8
Polishes 59
Poly-Slide 47
Port Gaskets 45
Prest-o-lit Decals 65
Priming Cups 18
Pull Handles 54
Pump Caps Leather 21
PVC Matting 34
Pyramid Aluminum 33
Pyramid Vinyl / Rubber 33

—Q-R—

Q-Dope 12
Quick Release Fasteners 49
Radiator Cap 62
Radiator Drains 18
Radiator Hoses 15
Red Fiber Block 12
Red Fiber Washers 44
Reflector Blanks 2
Reflectors, Headlamps 10
Relay Switches 6
Rings, Brass 48
Ring Pulls 54
Rivets 38-39
Rivet Setter Tools 39
Rod Ends 47
Round Stock 30
Rubber Flooring 32-33
Rubber Rod & Sheet 31
Running Board Trim 29

—S—

Schebler Floats 20
Screen, Wire 34
Screws 36-38, 41
Sealers 60-61
Sediment Bowl 20
Sediment Bowl Screen 20
Setting Tape, Glass 54
Sheet, Brass 30
Sheet, German Silver 31
Sleeving, High Temp 27
Smith & Co. Products 61
Snap Connectors, Brass 48
Snubber Belt 51
Sockets, Light 8
Socket, Plug 6
Solder Slugs 5
Spark Plug Boots 2
Spark Plug Caps 3
Spark Plug Nuts 3
Spark Plug Terminals 3
Spark Plug Wire 4
Speedometer Cable Ends 58
Spigots 18

Split Rivets 39
Spring Belting 58
Springs 46
Starter Solenoids 6
Steering Box Lube 24-25
Step Bolts 40
Step Plates & Emblems 65
Stock, Rod/Hex 30
Switches, Electrical 6-7
Syringes 17

—T—

"T" Rubber 54
Tacks 35
Tank Strap Forging 41
Terminals 5
Thermostats 16
Threaded Rivets 38
Ties, Stainless 14
Tire Pump Repair Kit 26
Top Bow Pins 50
Top Material 34
Top Nuts 50
Trunk Corners 54
Trunk Handles 54
Tube Clamps 12
Tubing, Brass 30
Tubing, Flexible 11
Tubing, Red Rubber 2
Tubing, Stainless Steel 30
Tubing, Vacuum 2,30
Tubular Post Screws 41
Turn Signal Switch 6

—U-V—

Upholstery Seat Springs 46
Upholstery Tacks 35
Vacuum Hose 55
Vacuum Tank Gasket 21
Valves 18
Valve Stem Cover 26
V-Belting 58
Vinyl Flooring 32-33

—W—

Washers 44-45
Water Pump Grease 23, 25
Water Pump Packing 16
Weather-stripping 54
Wenol 59
West Systems Products 61
Wheel Bolts 40
Wicks, Lamp 2
Window Regulator Springs 46
Windshield Brackets 54
Windshield Channel 29, 54
Windshield Weather Strip 54
Windshield Wipers 55
Wing Nuts 42
Wiper Arms & Motor 55
Wire Cloth / Screen 34
Wire, Cloth Covered 4
Wire Connectors 5
Wire, German Silver 31
Wire Loom 11
Wire Ties, Alum / Brass 12
Wood Filler 61

—Y-Z—

Yoke Ends 47
ZDDP Oil Additive 23
Zerk Fittings 17

Restoration Supply Company

Lamp Parts

Reflectors

Nickel Plated Brass



To replace glass mirrors.

For mirror size 5-1/2" **ELE552 \$105.00 Each**



Wedges for reflectors **ELE553 \$13.00 Each**

Head Lamp Multiplex Diverging Lenses



These lenses were commonly installed in Rushmore Lamps. The 2" glass strips run vertically and are flat on the rear side, while the front side is a convex curvature. Please provide us with an accurate diameter of your lenses.

ACC150 \$600.00 Per Pair

Burner



Brass base with 1/8" pipe internal thread and a "Y" shaped porcelain burner with two flame holes (which burns 3/4 cu ft of gas per hour). Will fit most gas headlamps.

ELE120 \$62.00

Lamp Wicks

For kerosene lanterns, range in length from 5" to 8". Sold by the each.

ACC224 3/8" \$2.00 ACC222 1/2" \$3.00 ACC223 5/8" \$2.00

Acetylene Burner Post Mounted Halogen Lamps

Adapter connects to the burner post inside your acetylene lamps. This allows you to have both electrical and gas lights. One bulb included.



	<u>Part</u>	<u>Each</u>
55w 12v	ELE289	\$26.00
55w 6v	ELE318	\$27.00

Red Rubber Tubing and "T" Fitting

Used with acetylene lights to give your gas lighting system an original appearance with functionality. This tubing will not discolor and is made to fit 1/4" brass tubing shown on page 30.



Red Rubber Tubing

1/4" ID x 7/16" OD Cloth Pattern

RUB011 \$10.00 Per Foot

"T" Fitting Fits red tubing 1-3/8" wide, 7/8" tall, 1-1/4" diameter at tips



"T" Fitting BRA217 \$9.00

Spark Plug Accessories

Ignition Coils



Excellent replacement on many engines.

	<u>Part</u>	<u>Each</u>
6V Coil	ELE247	\$36.00
12V Coil	ELE248	\$29.00
Bracket	ELE249	\$7.00

Spark Plug Caps



Stamped brass caps are a clever way to "age" your modern spark plugs. Put them on top of the porcelain insulators for the look of "vintage brass top" plugs.

	<u>Part</u>	<u>Each</u>
ID .475"	ELE106	\$3.50
ID .621"	ELE241	\$3.50

Magneto Drive Coupling



A worm and gear case that clamps to the magneto for infinitely adjustable timing. Adjusts with a hex key. 2-1/2" Dia. - 1" Wide Standard bore 1/2". Can be bored larger.

ELE083 \$300.00

Magneto Terminals



Straight and 90 degree angle; 3/16 prong; fits 7mm wire. For 9mm wire, use a razor blade to reduce the diameter of the insulation at the terminal end. When ordering, please specify if you want your terminals marked with successive rings.

	<u>Part</u>	<u>Each</u>
Straight	ELE213	\$21.00
90° degree	ELE214	\$23.00

Distributor Boots



90° degree black - .600" ID
ELE060 \$1.50



Straight black rubber. 600" ID; will fit most caps with 7mm wire.
ELE057 \$1.50

Coil Boot



Black rubber, fits 7mm wire. Cup ID .725"

ELE035 \$1.50

Spark Plug Boots



90 degree 7mm spark plug boot. Use with RAJ013 and RAJ014

	<u>Part</u>	<u>Each</u>
Black Rubber	ELE040	\$4.00
Red Rubber	ELE107	\$2.00

Spark Plug Boots



7mm straight - for use with RAJ007 and RAJ020; 2-1/2" long.

	<u>Part</u>	<u>Each</u>
Black Rubber	ELE039	\$1.50
Red Rubber	ELE061	\$2.00

info@RestorationStuff.com

www.RestorationStuff.com - Order online anytime!

"The Right Stuff!"

- 2 -

Phone: 1-800-306-7008

Fax: 1-760-739-8843

Restoration Supply Company

Rajah terminals. Fit 7mm wire unless stated otherwise. RAJ001, 2, 5 & 6 have ribbed black caps.

Solderless Screw Cap  RAJ001 \$3.50 9mm RAJ033 \$4.50	Solderless Screw Cap  RAJ002 \$4.50 9mm RAJ032 \$5.50	Solderless Screw Cap Fully enclosed Terminal  RAJ003 \$4.50	Solderless Screw Cap Fully enclosed Terminal  RAJ004 \$5.00	Solderless Screw Cap  RAJ005 \$3.50 9mm RAJ031 \$4.50	Solderless Screw Cap  RAJ006 \$3.50 9mm RAJ030 \$4.50	
NOS Solderless Screw Cap with Rajah logo  <i>Burgundy only. 7mm</i> RAJ021 \$3.00	Solderless Smooth Cap  RAJ025 \$3.00	Solderless Smooth Cap  RAJ026 \$3.00	Solderless Smooth Cap  RAJ027 \$3.00	Solder Cap Nickel Plated  RAJ011 \$3.00	Solder Cap Nickel Plated  RAJ012 \$3.00	Solder Cap Nickel Plated  RAJ013 \$3.00
Solderless Screw Cap Knurled Nickel Plated  RAJ007 \$3.00	Solderless Screw Cap Knurled Nickel Plated  RAJ008 \$3.50	Solderless Screw Cap Knurled Nickel Plated  RAJ009 \$3.50	Solderless Screw Cap Knurled Nickel Plated  RAJ010 \$5.00	Solder Cap Nickel Plated  RAJ017 \$2.00	Solder cap Nickel Plated  RAJ014 \$2.00	
7mm Straight Nickel Plated  RAJ029 \$2.00	7mm Straight Copper  ELE507 \$1.00	7mm Straight Brass  ELE510 \$1.00	7mm Solder Hook End Nickel Plated  RAJ037 \$2.00	7mm Spade With spike terminal Nickel Plated.  ELE506 \$3.00	7mm Solderless Screw Cap  RAJ016 \$3.00	
Solder cap Nickel Plated  RAJ020 \$2.50	7mm Brass w/ Spike Eyelet .190 hole  ELE500 \$3.00	7mm w/spike .190 hole Nickel Plated  ELE501 \$3.00	7mm Crimp Style Steel  ELE118 \$1.50	7mm Spade With spike terminal Brass  ELE505 \$3.00	7mm Straight Steel  RAJ028 \$1.50	
7mm HT Plug End Brass  ELE163 \$4.50	9mm Wire End Brass  ELE408 \$1.50	9mm Spade Fork End Brass  ELE407 \$1.50	9mm or 12mm Wire End  Copper ELE224 \$2.50 Brass ELE231 \$2.50	12mm Ring Barrel Terminal Brass  ELE405 \$2.50	12mm Spade Barrel Brass  ELE406 \$2.00	
Eyelet Brass For Lincoln, Packard, Hupmobile V-12 & V-16.  ELE370 \$3.00	Spring Clip Clips the eyelet onto spark plug.  ELE162 \$4.00	Spark Plug Screw Cap Nickel Plated  RAJ019 \$1.00	7mm Distributor Cap Terminal Brass  ELE068 \$1.00	7mm Distributor Cap Terminal Brass  ELE189 \$1.50	9mm Distributor Cap Terminal Brass  ELE409 \$1.00	
Tall Spark Plug Nut Used with Rajah fork 8-32 7/8" Tall Brass  ELE435 \$8.00	Tall Spark Plug Nut Used with Rajah fork 4x7 mm 7/8" Tall Brass  ELE436 \$9.00	Knurled Brass Nut Used with ring type terminals.  8-32 NUT143 \$1.00	Knurled Brass Nut Used with ring type terminals.  4x7mm NUT270 \$2.00	Knurled Brass Nut Used with fork type ends.  8-32 NUT303 \$3.00	Knurled Brass Nut Used with fork type ends.  4x7mm NUT341 \$3.50	

Spark Plug Terminals

info@RestorationStuff.com

www.RestorationStuff.com - Order online anytime!

"The Right Stuff!"

- 3 -

Phone: 1-800-306-7008

Fax: 1-760-739-8843

Restoration Supply Company

Cloth Spark Plug Wire

All of our wire has Copper Conductors and modern insulation. (Sold by the foot)

7mm = approx. 1/4" diameter 9mm = approx. 3/8" diameter 12mm = approx. 1/2" diameter

Packard 440 Black Rubber	Has a heavy tinned copper conductor covered by black rubber. The lettering can be removed with lacquer thinner if desired. (Color: "G" see inside front cover).	7mm ELE186 \$4.00 Foot
Black Cloth Covered	High gloss black finish. Copper Conductor. Cloth covered with heavy black lacquer, high gloss. For the 40's look. (Color: "B"; see inside front cover).	7mm ELE323 \$2.50 Foot
Black & Red Cloth Covered	Lightly lacquered. Commonly used during the teens, twenties and thirties. It gives many engines the correct "vintage" look. Copper Conductor. (Black-Color: "E", Red-Color: "K" (See color guide on inside front cover).	Black 7mm ELE187 \$2.50 Foot 9mm ELE188 \$2.50 Foot Red 7mm ELE348 \$2.50 Foot
Colored Cloth Covered with Tracers	Lightly lacquered cloth covered wire with yellow, dark orange, or brown with different colored tracers. It was commonly used on pre-WWII engines. Copper Conductor. (See color guide on inside front cover).	Oak (Dark Orange) 7mm ELE104 \$2.50 Foot 9mm ELE092 \$2.50 Foot Lemon with Black 7mm ELE328 \$4.00 Foot Lemon with Red & Black 7mm ELE215 \$2.00 Foot Brown 12mm ELE122 \$4.00 Foot

Electrical Wire

Primary Wire. Stranded copper wire insulated with modern poly and covered with woven cloth. All single conductor wire has a solid cloth covering, with a light varnish coating. The two conductor wire, red/black cable, is also covered with black thread and a light varnish. The armored cable is modern poly wires wrapped with galvanized steel. Sold by the foot.

Gauge	Color (Ref)	Conductor(s)	Part	Price/Foot
18 Gauge	Yellow/Blk (D)	Single	ELE399	\$1.00
16 Gauge	Black (E)	Single	ELE324	\$1.00
14 Gauge	Brown (N)	Single	ELE380	\$1.00
14 Gauge	Green (L)	Single	ELE124	\$1.00
14 Gauge	Blue (O)	Single	ELE123	\$1.00
14 Gauge	Red (K)	Single	ELE116	\$1.00
14 Gauge	Yellow (M)	Single	ELE105	\$1.00
14 Gauge	Black (E)	Single	ELE103	\$1.50
14 Gauge	Red/Black (I)	Two	ELE108	\$2.50
12 Gauge	Yellow (M)	Single	ELE101	\$1.50
12 Gauge	Black (E)	Single	ELE102	\$1.50
12 Gauge	Red (K)	Single	ELE243	\$2.00
10 Gauge	Black (E)	Single	ELE100	\$2.00
10 Gauge	Red (K)	Single	ELE143	\$2.00
10 Gauge	Yellow (M)	Single	ELE242	\$2.00
8 Gauge	Black (E)	Single	ELE383	\$3.00
6 Gauge	Black (E)	Single	ELE382	\$3.00
4 Gauge	Black (E)	Single	ELE381	\$5.00

Gauge	Color (Ref)	Conductor(s)	Part	Price/Foot
12 gauge	Armored (J)	Single	ELE321	\$3.50
12 gauge	Armored (J)	Two	ELE322	\$4.50
14 gauge	Armored (J)	Two	ELE109	\$4.00
14 gauge	Armored (J)	Single	ELE137	\$3.50
16 gauge	Armored (J)	Triple	ELE142	\$4.00

Battery Cable

Gauge	Color (Ref)	Part	Price/Foot
2 Gauge	Black (E)	Battery Cable	ELE089 \$6.00
1/0 Gauge	Black (E)	Battery Cable	ELE090 \$9.00

2-Gauge for 12 volt, 1/0-Gauge for 6-volt
2-Gauge 1/2 OD, 1/0-Gauge 19/32OD

See color guide on inside front cover for color reference.

Electrical Wire

info@RestorationStuff.com

www.RestorationStuff.com - Order online anytime!

"The Right Stuff!"

- 4 -

Phone: 1-800-306-7008

Fax: 1-760-739-8843

Restoration Supply Company

Plug-in Connectors



Allows you to easily connect and disconnect any circuit. The female connector has insulating rubber. The machined male ends require soldering. Max. voltage 24V. ****Sold in pkg of 20 male ends and 10 female ends.**

ELE041/042 \$13.00



Double Receptacle
Can fit up to 4 wires.
Comes with 4 male ends.

ELE440 \$5.50

Plug-in Connectors

New Tinned Terminals

<u>Lug</u>	<u>Wire</u>	<u>Style</u>	<u>Part</u>	<u>Each</u>
	#8 16-14	Ring	ELE352	\$0.40
	#10 16-14	Ring	ELE353	\$0.90
	#8 10-12	Ring	ELE354	\$0.40
	#10 10-12	Ring	ELE355	\$0.70
	1/4" 10-12	Ring	ELE356	\$0.50
	5/16" 10-12	Ring	ELE357	\$0.40
	3/8" 10-12	Ring	ELE358	\$0.40
	#8 16-14	Flag Fork	ELE350	\$0.40
	#8 10-12	Flag Ring	ELE351	\$0.50

****NOS Parts****

Very limited quantities remaining.

NOS Tinned Terminals

<u>Lug</u>	<u>Wire</u>	<u>Style</u>	<u>Part</u>	<u>Each</u>
	1/2" 10-4	Ring	ELE427	\$0.60
	1/4" 16-10	Flag Ring	ELE428	\$0.60
	#10 16-10	Flag Ring	ELE429	\$0.60

NOS Brass Terminals

<u>Lug</u>	<u>Wire</u>	<u>Style</u>	<u>Part</u>	<u>Each</u>
	3/8" 10-4	Ring	ELE415	\$0.80
	#8 16-12	Flag Ring	ELE252	\$0.80

NOS Copper Terminals

<u>Lug</u>	<u>Wire</u>	<u>Style</u>	<u>Part</u>	<u>Each</u>
	3/8" 10-6	Ring	ELE423	\$0.90
	#6 16-14	Flag Fork	ELE432	\$0.70
	#10 14-8	Flag Fork	ELE253	\$0.70

Wire Terminals

Battery Clamps

For solder connections.
Sized for the positive and negative posts.

<u>Clamp Style</u>	<u>Wire Size</u>	<u>Terminal</u>	<u>Part</u>	<u>Each</u>
	#2	Positive	ELE304	\$7.50
	#2	Negative	ELE305	\$7.50
	1/0	Positive	ELE306	\$9.00
	1/0	Negative	ELE307	\$8.00
	1/0	Positive	ELE330	\$12.00
	1/0	Negative	ELE331	\$12.00
	1/0	Positive	ELE332	\$11.00
	1/0	Negative	ELE333	\$11.00
	1/0	Positive	ELE334	\$11.00
	1/0	Negative	ELE335	\$12.00

Battery Brush



For male and female connectors with a locking cap.

ELE361 \$12.00

Terminal Lugs

For solder connections.
All lugs are solid copper.

<u>Wire Size</u>	<u>Hole Dia.</u>	<u>Part</u>	<u>Each</u>
	#2 1/4"	ELE338	\$3.50
	#2 5/16"	ELE339	\$3.50
	#2 3/8"	ELE302	\$3.50
	1/0 1/4"	ELE336	\$4.00
	1/0 5/16"	ELE337	\$4.00
	1/0 3/8"	ELE303	\$4.00

Solder Slugs



Drop in the connector hole, apply the torch until it melts, then apply your battery cable.

<u>Wire Size</u>	<u>Part</u>	<u>Each</u>
2 gauge	ELE300	\$3.50
1/0 gauge	ELE301	\$3.50

Battery Clamps, Lugs, Solder Slugs and Brushes

info@RestorationStuff.com

www.RestorationStuff.com - Order online anytime!

"The Right Stuff!"

- 5 -

Phone: 1-800-306-7008

Fax: 1-760-739-8843

Restoration Supply Company

Battery Disconnects

Heavy Duty Battery Disconnect Switches



The most common switch for 6V and 12V Systems.
Rated 1000A intermittent/175A continuous; ELE009 800A intermittent/175A continuous.

	<u>Part</u>	<u>Each</u>
3/16" neck length	ELE009	\$65.00
15/16" neck length	ELE032	\$85.00
7/8" neck w/key lock	ELE296	\$85.00
Face plate 2-1/2" OD	ELE017	\$6.00

Battery Disconnect Switch



Has a removable key; tough ABS plastic housing won't rust or corrode; heavy duty copper terminals; 50 amps continuous, 500 amps intermittent; easy to mount.

ELE010 \$22.00

Foot-Operated Starter Switches



1-13/16" plunger length
ELE004 \$42.00

1" plunger length
ELE230 \$30.00

Starter Solenoids

6V Starter Solenoid



Ford style metal can starter solenoid with push button activator; all copper contacts and nuts.

ELE096 \$35.00

Starter Solenoids



Universal heavy duty steel solenoid.
Switch terminal must be grounded to activate.

	<u>Part</u>	<u>Each</u>
12v	ELE295	\$42.00
6v	ELE232	\$53.00

12V Starter Solenoid



Steel housed, insulated,
750 amp intermittent, 5/16-24 contact terminals, 10-32 ignition terminal.
5/16x19/32 mounting holes.
2-13/64 on centers. 2 accessory posts.

ELE294 \$32.00

12V Starter Solenoid With Button



Mount under the hood for starting the engine while working on it.
Also starts with ignition switch.

ELE443 \$45.00

Turn Signals, Flashers, Relays & Socket

Turn Signal Switch



Universal mount, die cast chrome plated.
Clamps to the steering column.
No drilling, cutting or modification needed.
It requires a Heavy Duty 6V or 12V flasher.
Wiring diagram provided.

3-pin **ELE208 \$40.00**

Heavy Duty Turn Signal Switch



Mounted to the steering column with a metal band that affixes to the unit with two separate half collar clamps.
Housed completely in black plastic with indicator lights and a pull-out hazard light switch. Use with 3-wire flasher, 3-pin.
Switch length- 4".
Clamp band- 10" x 5/8". Wires- 19" from base of unit.

ELE442 \$105.00

Turn Signal Controller System



This system works for 6 & 12 volt, positive or negative ground cars. The switch will self-cancel using time and lack of brake signal. The time out is user adjustable for 15, 30, 45 or 60 seconds. The signal will not time out when brakes are applied. Easy to install; it comes with instructions, wiring diagrams and terminal labels on the control box. It is capable of sharing front parking or fog lamps for front turn signal and can operate with combined brake and turn signals or separate rear brake and turn lights. Toggle switch mounting post is 1/2" in diameter and thread length is 3/8" long. Do not need flasher. Will work with LED bulbs.

ELE520 \$160.00

Heavy Duty Flashers



3 Pin, 6 and 12 Volt.
needed for ELE208.
Use ELE287 for Socket.
Part Each
6 Volt **ELE256 \$13.00**
12 Volt **ELE029 \$12.00**

Regular Duty Flashers



Use ELE287 for Socket.
Part Each
3pin 6V **ELE034 \$11.50**
2pin 12V **ELE036 \$4.00**

Relay Switches



Heavy duty. Handles the high current draw of electric horns and head lamps.
Use Socket ELE287.

Plug Socket



Works on 5-pin relays as well as 2 and 3-pin flashers. Heavy duty construction with 14 gauge color coded wire.

ELE287 \$8.00

Extra Loud Flasher



2 Pin 12 Volt
Use ELE287 for Socket.
Will not work with 3-pin turn signal.
ELE308 \$22.00

Flasher Holder



Universal mounting with three variations.
ELE363 \$7.50

Headlamp Relay

6V **ELE049 \$25.00** 5 PRONG
12V **ELE015 \$13.00** 5 PRONG
12V **ELE016 \$14.00** 4 PRONG

Horn Relay

6V **ELE047 \$27.00**
12V **ELE257 \$28.00**

info@RestorationStuff.com

www.RestorationStuff.com - Order online anytime!



















"The Right Stuff!"

- 6 -

Phone: 1-800-306-7008

Fax: 1-760-739-8843

Restoration Supply Company

<p>Push/Pull Switch</p>  <p>Early style Hole spacing 1-1/4" Hole size 1-7/8" Size of plate 1-3/4" x 1"</p> <p>ELE550 \$44.00</p>	<p>Push/Pull Button Switch</p>  <p>Brass housing; chrome plated knob screws off so you can machine your own style. Mounts in a 3/8" hole in panels up to 1" thick.</p> <p>ELE159 \$38.00</p>	<p>Push Button Switch</p>  <p>Push on/spring off momentary contact switch. Chrome button and clamp nut. Mounting stem 5/8-32 thread; 1" long.</p> <p>ELE028 \$18.00</p>	<p>Pin Switch</p>  <p>Comes with a terminal connector. Shaft is one side of the switch. When pin is out, switch contacts are closed. Shaft is threaded 1/4-20.</p> <p>ELE362 \$7.00</p>	Switches
<p>Standard Toggle Switch</p>  <p>Single pole single throw switch Silver contacts. 2 screw terminals. 25A -12V.</p> <p>ELE555 \$17.00</p>	<p>Push/Pull Switch <i>Fused</i></p>  <p>Heavy duty universal one circuit OFF/ON switch; integral fuse and chrome plated knob; supplied with 20 amp fuse.</p> <p>ELE031 \$29.00</p>	<p>Dome Lamp Switch</p>  <p>Slide on slide off. Hole centers 1-5/16".</p> <p>ELE325 \$12.00</p>	<p>Door Jamb Switch</p>  <p>Operates courtesy lights and running board step lights. <i>Plunger dia: 7/16" plate: 1x1-3/4" body dia: 45/64" depth: 1-15/16".</i></p> <p><i>Normally Closed ; Push to Open</i> ELE011 \$21.00 <i>Normally Open ; Push to Close</i> ELE298 \$20.00</p>	
<p>Toggle Switch</p>  <p>A single pole, double throw switch. Mounting hole diameter 15/32"; fits panels up to 3/16" thick; 1-1/16" chrome handle.</p> <p>ELE033 \$28.00</p>	<p>Toggle Switch</p>  <p>A double pole, single throw on-off switch, to energize both terminals at the same time.</p> <p>ELE037 \$27.00</p>	<p>Horn Button</p>  <p>Flush mount with momentary contact switch; ideal for magneto kill, horns, starter solenoid, etc; stamped steel case with black plastic button.</p> <p>ELE019 \$7.00</p>	<p>Dimmer Switch</p>  <p>Foot-operated, heavy duty. Mounts through the floorboard.</p> <p>ELE119 \$37.00</p>	
<p>Stop Light Switch</p>  <p>Push pull plunger for stop and back up lights. Recommended for use with type 6 spring on page 46 (B14068). <i>Normally closed contacts; spring loaded to the on position.</i></p> <p>ELE012 \$14.00</p>	<p>Universal Stop Light Switches</p>  <p>Lever actuated, two 10-32 mounting holes; 5/8" on centers; 2-7/8" lever. <i>Normally open contact</i> is spring loaded to off position. <i>Normally closed</i> is spring loaded to on position.</p> <p><i>Normally Open ; Push to Close</i> ELE233 \$39.00 <i>Normally Closed; Push to Open</i> ELE293 \$28.00</p>	<p>Universal Stop Light Switch</p>  <p>Lever actuated to ON, spring return to OFF; two 13/64" diameter mounting holes; 1/2" on centers; 5" universal spring lever.</p> <p>ELE234 \$60.00</p>	<p>Flat Panel Turn Signal Switches</p>  <p>12v system only. These switches do not self cancel. Shaft fits through a 1" diameter hole. The illuminating green lever acts as a warning light.</p> <p><i>Non-illuminating</i> ELE319 \$35.00 <i>Black Lever</i> <i>Illuminating</i> ELE320 \$40.00 <i>Green Lever</i></p>	
<p>Klaxon Horn Terminal</p>  <p>Molded with brass inserts and the word "PATENTED" on The screw cap; correct for motor-driven Klaxon horns. <i>Imported from England.</i></p> <p>CAV012 \$40.00</p>	<p>Klaxon Horn Button</p>  <p>1-1/2" Button dia., spring loaded. 1-7/8" hole centers. 2 wire holes with set screws. <i>Imported from England.</i></p> <p>ACC162 \$66.00</p>		Klaxon Horn Parts	

info@RestorationStuff.com
www.RestorationStuff.com - Order online anytime!

"The Right Stuff!"
- 7 -

Phone: 1-800-306-7008
Fax: 1-760-739-8843

Restoration Supply Company

All sockets and plugs in this section are with equal pin spacing (not offset pins) unless otherwise noted. Socket IDs are standard 19/32.

Lamp Sockets, Plugs & Caps



Screw-On Bakelite Plug

Screw on ribbed cap. Fits all standard sockets with equal pin spacing. 9/16 - 24 threads.

	<u>Part</u>	<u>Each</u>
Single Contact	ELE140	\$16.00
Double Contact	ELE141	\$16.00



Caps

These caps allow you to solder our flexible conduit (pg. 11) to them to make a nice connection to the Bakelite plug. 9/16-24 internal thread.

Solid Brass

0.402" Bore	CAP003	\$7.00
0.342" Bore	CAP005	\$7.00
0.270" Bore	CAP007	\$7.00

Nickel Plated Brass

0.402" Bore	CAP002	\$9.00
0.342" Bore	CAP004	\$9.00
0.270" Bore	CAP006	\$9.00

Bayonet Socket



Nickel plated brass housing and recessed insulated wire connectors; diameter is 11/16".

Double Contact **ELE006 \$23.00**

Double End Sockets



Holds a light bulb in one end, plug in the other; perfect for wiring head, tail and cowl lights. 11/16" OD.

	<u>Part</u>	<u>Each</u>
Double Contact	ELE138	\$23.00
Single Contact	ELE258	\$21.00

Flush Mount Sockets

Nickel Plated Brass



Fits panels up to 3/4" thick with 11/16" hole; 6-32 screw terminals. Used for plug in accessories such as spotlights, trouble lights, etc.

	<u>Part</u>	<u>Each</u>
Single Contact	ELE067	\$18.00
Double Contact	ELE173	\$18.00

Non-Flush Mount Sockets

Exposed screw terminals; accepts standard light bulbs; mounts in 11/16" hole in panel thickness up to 3/8".

(Single contact has concealed screw terminals)

	<u>Part</u>	<u>Each</u>
Double Contact	ELE018	\$24.00
Single Contact	ELE229	\$30.00

Prefocus Socket



Double Contact **ELE056 \$20.00**

Flush Mount Socket



Accepts standard light bulbs. Mounts in 11/16" hole. 2 hole oval mounting. Holes are 1-1/4" apart.

Single Contact **ELE048 \$20.00**

Universal Light Sockets

Double Contact for **OFFSET** pins.
1" Hole **ELE237 \$6.00**
3/4" Hole **ELE260 \$6.00**



Universal Light Socket

For 3/8" base bulb. Straight pins. Snaps into 5/8" hole.



Single Contact **ELE238 \$5.00**

Female Mount Socket

2 hole mounting 1-1/4" apart. Mounts in 11/16" hole.



Double Contact **ELE045 \$16.00**

Push-In Plug

Bakelite plug with screw on ribbed cap. Fits socket **ELE045**.

Non-Polarized **ELE082 \$11.00**

Universal Light Socket



Fits standard bayonet bulb base, straight pin. Snaps into a 3/4" hole.

Single Contact **ELE239 \$11.00**

Push-In Plug

Bakelite Plug with screw-on ribbed, polarized cap. One pin larger than the other.



Polarized **ELE046 \$7.00**

Pigtails & Plugs

Headlight Plugs



Standard 3 contact assembly. Fits sealed beam headlamps and our Halogen Bulbs **ELE147, ELE149, ELE235, and ELE236**.

ELE127 \$10.00



3 contact plug for Halogen Bulb 9007 fits **ELE448**.

ELE342 \$8.00

Pigtails

Pigtails with spring and insulator for repairing many standard single and double contact bayonet sockets. 19/32" Diameter.

Single Contact (for miniature light bulb) **ELE073 \$4.00**

Single Contact **ELE126 \$4.00**

Double Contact **ELE223 \$4.00**

Wire w/Contact **ELE360 \$3.00**

3/16" Contact button **ELE364 \$3.00**

5/16" Contact button **ELE369 \$3.00**



Both Contact Buttons fit #14 wire

info@RestorationStuff.com

www.RestorationStuff.com - Order online anytime!

"The Right Stuff!"

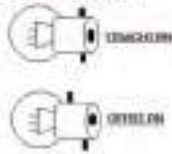
- 8 -

Phone: 1-800-306-7008

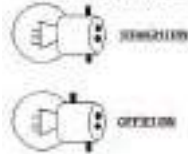
Fax: 1-760-739-8843

Restoration Supply Company


SINGLE CONTACT




DOUBLE CONTACT




Standard Bayonet Base with 19/32" diameter; equal pin unless noted.

	Candle Pwr	Volts	Contact/Pins	Bulb	Part	Each
	50-32	12	dbl/straight	1188-12	ELE161	\$4.00
	32-32	12	dbl/straight	1124	ELE148	\$4.00
	50	12	sgl/straight	1195	ELE218	\$6.00
	32	12	dbl/straight	1144	ELE179	\$3.00
	32	12	sgl/straight	1143	ELE228	\$4.00
	50-32	6	dbl/straight	1188-6	ELE151	\$6.00
	32-32	6	dbl/straight	1000	ELE160	\$12.00
	21-21	6	dbl/straight	1110	ELE170	\$5.00
	50	6	sgl/straight	1183	ELE168	\$7.00
	32	6	dbl/straight	1134	ELE177	\$2.00


Large Globe Head Light

	21	12	sgl/straight	1141	ELE153	\$2.00
	21	12	dbl/straight	1142	ELE190	\$4.50
	21-3	12	dbl/straight	1176	ELE184	\$2.50
	32	6	sgl/straight	1680	ELE121	\$2.50
	21	6	sgl/straight	1129	ELE152	\$2.50
	15	6	sgl/straight	87	ELE444	\$2.50
	21	6	dbl/straight	1130	ELE181	\$2.50
	21-3	6	dbl/straight	1158	ELE183	\$3.00
	21-3	6	dbl/offset	1154	ELE156	\$3.00


Standard Globe Tail, Side, Fender Light

	4	12	dbl/straight	68	ELE176	\$2.50
	4	12	sgl/straight	67	ELE155	\$2.00
	21-4	12	dbl/offset		ELE093	\$3.00
	6	6	sgl/straight	81	ELE261	\$3.00
	3	6	dbl/straight	64	ELE175	\$3.00
	3	6	sgl/straight	63	ELE154	\$3.50
21-4	6	dbl/offset		ELE288	\$4.50	


Small Globe Dash Lights

	1.5	6	sgl/straight	55	ELE157	\$3.00
	1	6	sgl/straight	51	ELE169	\$3.00
	2	12	sgl/straight	57	ELE167	\$2.50

Miniature Dash Lights (small 3/8" base)

	12V/3W	1.140" long	ELE150	\$2.50
	12V/5W	1.395" long	ELE185	\$2.50

Festoon Bulb

	Halogen Bulb	6V/35W no base	ELE246	\$14.00
--	--------------	----------------	--------	---------



Prefocus 3-Pin -Flange-

Candle Pwr	Volts	Contact/Pins	Bulb	Part	Each
32	12	sgl/pref	1327	ELE078	\$10.00
50-32	12	dbl/pref	13007-12	ELE079	\$ 3.00
32-32	12	dbl/pref	2336	ELE283	\$17.00
32-21	12	dbl/pref	2326	ELE217	\$ 8.00
32	6	sgl/pref	1007	ELE074	\$ 3.00
32-32	6	dbl/pref	2330	ELE075	\$16.00
32-32	6	dbl/pref	2331	ELE091	\$3.00**
50	6	sgl/pref	1501	ELE076	\$ 3.00
50-32	6	dbl/pref	13007-6	ELE077	\$ 5.00

** ELE091 has pins rotated 90°. For 36-39 Plymouth, Chrysler, Dodge, Nash, Studebaker, Terraplane, Desoto, Hudson, and Lafayette.



Prefocus Halogen

Watts	Volts	Contact/Pins	Part	Each
45-40	12	dbl/pref	ELE134	\$34.00
35-35	6	dbl/pref	ELE135	\$34.00
35-35	6	dbl/pref	ELE365	\$34.00**
35-35	6	sgl/pref	ELE366	\$34.00

Much brighter halogen bulb with a standard prefocus base to fit directly into original prefocus sockets of American cars, trucks, and motorcycles.

** ELE365 has pins rotated 90°. For 36-39 Plymouth, Chrysler, Dodge, Nash, Studebaker, Terraplane, Desoto, Hudson, and Lafayette.



Halogen Headlamp

12V/55W (4.6 amps) -	H4	ELE149	\$5.00
6V/55W (9.2 amps) -	H4	ELE147	\$20.00
6V/55W (fits ELE318) -	H3	ELE312	\$6.50
12V/55W (fits ELE289) -	H3	ELE446	\$4.00
12V/65-55W (fits ELE342) -	HB5	ELE448	\$6.00

If performing a retrofit you will need a special mounting kit. ELE145/146. Bulb connects to a standard 3 prong plug, same as sealed beam headlamp, ELE127.



Halogen

Watts	Volts	Contact/Pins	Part	Each
60-55	12	dbl/straight	ELE094	\$30.00
35-35	6	dbl/straight	ELE095	\$34.00
35-35	12	dbl/straight	ELE445	\$33.00

Old style straight pin in bayonet-based halogen bulb.



Halogen Side, Tail, Stop and Turn Light

Watts	Volts	Contact/Pins	Part	Each
50	12	sgl/straight	ELE171	\$ 7.00
50/15	12	dbl/offset	ELE063	\$22.00
23	6	sgl/straight	ELE064	\$15.00
23-6	6	dbl/straight	ELE065	\$16.00
23-6	6	dbl/offset	ELE066	\$16.00
5	6	small globe	ELE367	\$22.00
5	6	mini dash	ELE368	\$22.00

Amber Light Bulbs

Candle Pwr	Volts	Bulb	Bulb Style	Contacts/Pins	Part	Each
21 - 3	6	1158A	Standard	dbl/straight	ELE277	\$3.00
52	12	1156NA	Standard	sgl/straight	ELE274	\$3.00
21-3	6	1154A	Standard	dbl/offset	ELE276	\$3.00
32 - 4	12	1034A	Standard	dbl/offset	ELE285	\$2.00
4	12	1178A	Small Globe	dbl/straight	ELE279	\$3.00
2	12	1895A	Mini Dash	sgl/straight	ELE286	\$3.00

Additionally, we have hundreds of different new old stock type bulbs. If you don't see what you are looking for, give us a call.

info@RestorationStuff.com

www.RestorationStuff.com - Order online anytime!

"The Right Stuff!"

- 9 -

Phone: 1-800-306-7008

Fax: 1-760-739-8843

Light Bulbs

Restoration Supply Company

LED Bulbs



LED Bulbs

6 & 12 volt, single and double contact, bayonet and prefocus base bulbs to give you brighter lights while using 1/10th of the amps as halogen. They come in both + and - ground. *Sold by the each.*

Bulb Style	Volts	Contact/Pins	Ground	Part	Each
Headlight - To Replace Bulb #2330	6 or 12	dbl/pref	+	ELE449	\$36.00
Headlight - To Replace Bulb #2330	6 or 12	dbl/pref	-	ELE450	\$36.00
Headlight - To Replace Bulb #1000	6 or 12	dbl/straight	+	ELE451	\$36.00
Headlight - To Replace Bulb #1000	6 or 12	dbl/straight	-	ELE452	\$36.00
Stop/Tail - To Replace Bulb # 1158	6	dbl/straight	+	ELE453	\$36.00
Stop/Tail - To Replace Bulb # 1158	6	dbl/straight	-	ELE454	\$36.00
Stop/Tail - To Replace Bulb # 1158	12	dbl/straight	-	ELE455	\$36.00
Stop/Tail - To Replace Bulb # 1154	6	dbl/offset	-	ELE456	\$36.00
Stop/Tail - To Replace Bulb # 1154	6	dbl/offset	+	ELE457	\$36.00
Stop/Tail - To Replace Bulb # 1154	12	dbl/offset	-	ELE458	\$36.00
Stop/Tail - To Replace Bulb # 1130	6	dbl/straight	+ or -	ELE459	\$36.00
Stop/Tail - To Replace Bulb # 1130	12	dbl/straight	+ or -	ELE460	\$36.00
Cowl/License - To Replace Bulb # 63	6	sgl/straight	+	ELE461	\$20.00
Cowl/License - To Replace Bulb # 63	6	sgl/straight	-	ELE462	\$20.00
Cowl/License - To Replace Bulb # 63	12	sgl/straight	-	ELE463	\$20.00

Headlamps & Reflectors



12v lights in red or amber, bullet shaped. 3/4" diameter at the base, 1" high. They are mounted with a threaded nipple that is 7/32" wide and 3/4" long. Single wire end is 12" long and pre-tinned for easy connection.

Red ELE438 \$27.00 Pair Amber ELE437 \$20.00 Pair



Halogen Conversion Kits

High and Low Beam Kit will fit any reflector or mounting with a 1" or larger hole. Contains two bulbs, mounting rings, and connector plugs. Great easy upgrade for existing headlamps with reflectors.

12V ELE145 \$42.00
6V ELE146 \$57.00

Halogen Reflector Kits



Halogen Reflector Kit

Chrome plated brass and die stamped. Fitted with modern replaceable halogen high/low beam headlamps. The "without turn signal" kits come with 2 reflectors with special sockets installed, 2 halogen bulbs, 2 electrical connector plugs and 2 gaskets. The "with turn signals" kits come with the above, but also includes an installed parking lamp dual-contact sockets and 2 replaceable dual-filament amber bulbs. These parking lights can also support turn signal operation. Reflector diameters are measured across total width or widest part of flange. *Diameter is measured to the outside of the mounting flange.*

Kit Without Turn Signals

Dia.	12 volt	Price	6 Volt	Each
9-1/4"	ELE200	\$95.00	ELE201	\$95.00
8-7/8"	ELE202	\$95.00	ELE203	\$95.00
8"	ELE204	\$95.00	ELE205	\$95.00
7"	ELE206	\$95.00	ELE207	\$95.00

Kit With Turn Signals

Dia.	12 volt	Price	6 Volt	Each
9-1/4"	ELE024	\$100.00	ELE025	\$100.00
8-7/8"	ELE026	\$100.00	ELE027	\$100.00
8-1/2"	ELE292	\$100.00	ELE297	\$100.00
8"	ELE222	\$100.00	ELE221	\$100.00
7"	ELE220	\$100.00	ELE219	\$100.00

Just Reflector

Dia.	1 Bulb	2 Bulb
9-1/4"	ELE194 \$35.00	ELE195 \$37.00
8-7/8"	ELE196 \$35.00	ELE197 \$37.00
8"	n/a	ELE198 \$41.00
7"	n/a	ELE199 \$37.00

Headlamp Gaskets

Silicon - 9" in Diameter.



ELE434 \$17.00 Pair

Cork 27 1/2" x 5/16" x 3/16"



ELE259 \$9.00 Pair

Lens Clips



Part	Each
6 Pk 2"	ELE165 \$4.00
6 Pk 3-1/2"	ELE166 \$5.00
Cowl / Tail Lamp Clips	
4 Pk 1-1/8"	ELE174 \$4.00



Sealed Beam Amber Lamps

We offer many Sealed Beam Amber Lamps.

Bulb	Size	Volts	Connections	Part	Each
4012A	5-3/4"	6	2-Screws	ELE309	\$31.00
5001A	5-3/4"	12	2 Pin Plug	ELE327	\$28.00
4412A	5-3/4"	12	2-Screws	ELE310	\$30.00
4415A	4-1/2"	12	2-Screws	ELE311	\$35.00

Dash Lamps



Dash Lamps

Chrome Plated

Flush mount with integral on/off switch; well suited to automotive and marine applications; covers 11/16" hole. Hole centers at 1-3/16"
Recommended Bulbs: 6v ELE175 12V ELE176.

Flange Base ELE007 \$42.00



Fits 11/16" hole; threaded base is 3/8" long; does not have integral on/off switch; wire leads included.
Recommended Bulbs: 6V ELE175, 12V ELE176.

Threaded Base ELE008 \$45.00

info@RestorationStuff.com

www.RestorationStuff.com - Order online anytime!

"The Right Stuff!"

- 10 -

Phone: 1-800-306-7008

Fax: 1-760-739-8843

Restoration Supply Company

Accessory Lights

Accessory Lights

These lights can be adapted to fit on bumper braces, front splash aprons, and other concealed places. They have chrome plated, die cast bodies, and come standard with amber lenses and 12V bulbs.

For 6V bulbs and different colored lenses, see chart at right.

Sorry, we cannot exchange lenses or bulbs.



Small
Single Filament
1-3/4" w x 1-1/8" h x 1-5/8" d
ELE128 \$16.00 Each



Medium
Double Filament
2-1/4" w x 1-1/4" h x 1-5/8" d
ELE129 \$18.00 Each



Large
Double Filament
2 1/2" w x 2" h x 2-3/4" d
ELE130 \$20.00 Each

Replacement Lense
Amber **ELE131 \$4.00 Each**
Red **ELE125 \$4.00 Each**

Replacement Lense
Amber **ELE132 \$4.00 Each**
Red **ELE133 \$4.50 Each**
Clear **ELE144 \$7.00 Each**

Replacement Lenses
Amber **ELE132 \$4.00 Each**
Red **ELE133 \$4.50 Each**
Clear **ELE144 \$7.00 Each**

Replacement Bulbs
6V **ELE157 \$3.00 Each**
12V **ELE167 \$3.00 Each**

Replacement Bulbs
6V **ELE288 \$5.00 Each**
12V **ELE093 \$3.00 Each**

Replacement Bulbs
6V **ELE288 \$5.00 Each**
12V **ELE093 \$3.00 Each**

German Silver Conduit



Conduit made exactly like the original square lock type. Will polish beautifully. Useful in wire loom applications as well as Speedometer Cable Covers.

ID	OD	Part	Per Foot
.300"	.395"	FLX007	\$12.00
.435"	.540"	FLX004	\$15.00
.562"	.620"	FLX014	\$16.00

Brass Conduit



A duplicate of the original square lock tubing with cord wrapped joints. The 5/8" size is made specifically for bulb horns. Makes a great wire loom material and Speedometer Drive Cover.

ID	OD	Part	Per Foot
.300"	.395"	FLX006	\$12.00
.520"	.620"	FLX005	\$15.00
.770"	.875"	FLX011	\$16.00

Stainless Steel Conduit



Used from the teens into the 40's, this sheathing can be painted or polished.

ID	OD	Part	Per Foot	ID	OD	Part	Per Foot
0.185"	0.265"	ELE072	\$5.00	0.620"	0.750"	FLX002	\$8.00
0.250"	0.337"	ELE071	\$5.00	0.895"	1.000"	FLX003	\$8.00
0.385"	0.485"	ELE070	\$6.00	1.13"	1.240"	FLX013	\$9.00
0.525"	0.620"	FLX001	\$7.00				

Braided Sleeving



A cover for one or multiple wires, tubes, or hoses. This tinned copper braided sleeving will expand/contract approximately 1/4".

Part	Per Foot
1/8" - 3/8" ID	ELE052 \$4.00
1/4" - 1/2" ID	ELE051 \$4.00

Wire Loom



Original black asphalt laden, braided cloth loom. Used to protect wires on many vintage vehicles.

ID	Part	Per Foot	ID	Part	Per Foot	ID	Part	Per Foot	ID	Part	Per Foot
3/16"	FLX018	\$1.00	3/8"	FLX021	\$1.50	9/16"	FLX024	\$2.00	1"	FLX030	\$3.00
1/4"	FLX019	\$1.00	7/16"	FLX022	\$1.50	5/8"	FLX025	\$2.00	1-1/4"	FLX031	\$4.00
5/16"	FLX020	\$1.50	1/2"	FLX023	\$1.50	3/4"	FLX026	\$2.00	1-1/2"	FLX032	\$4.00

Ferrules



We have been asked many times about parts to terminate our flexible tubing and similar products. These Stamped Ferrules are the answer to some of these problems.

ID	Bore	Length	Material	Part	Each	ID	Bore	Length	Material	Part	Each
0.452"	.268"	.500"	Brass	CAP010	\$1.50	0.880"	.695"	.845"	Brass	CAP015	\$2.00
0.502"	.331"	.500"	Brass	CAP011	\$1.00	0.960"	.680"	.840"	Brass	CAP025	\$2.50
0.552"	.410"	.550"	Brass	CAP012	\$1.00	1.158"	.875"	.845"	Brass	CAP016	\$2.50
0.625"	.440"	.530"	Brass	CAP017	\$1.00	0.475"	.390"	.680"	SS	CAP030	\$1.00
0.628"	.455"	.550"	Brass	CAP013	\$1.00	0.550"	.450"	.680"	SS	CAP031	\$1.00
0.675"	.490"	.510"	Brass	CAP018	\$1.00	0.650"	.540"	.730"	SS	CAP032	\$1.00
0.782"	.625"	1.000"	Brass	CAP014	\$2.00	0.750"	.560"	.760"	SS	CAP033	\$1.50

Conduit Eyelets

Brass



Screw-together eyelet. Makes a unique grommet for finishing a hole, especially where Flexible Conduit enters the body.

Bore	OD	ID	Part	Each
.312 5/16"	.590	.437	BRA064	\$5.50
.437 7/16"	.790	.590	BRA065	\$6.50
.610 5/8"	1.140	.765	BRA066	\$8.50

Flexible Conduit and Supplies

info@RestorationStuff.com

www.RestorationStuff.com - Order online anytime!

"The Right Stuff!"

- 11 -

Phone: 1-800-306-7008

Fax: 1-760-739-8843

Restoration Supply Company

Electrical Hardware & Materials

Fuse Blocks



Common Hot Feed. Hot Feed bar can be removed for single circuits. Fiberboard base, brass terminals and screws, nickel plated fuse clips. Accepts standard glass fuses.

#Circuits	Part	Each	#Circuits	Part	Each
1	ELE110	\$8.00	4	ELE113	\$34.00
2	ELE111	\$16.00	5	ELE114	\$42.00
3	ELE112	\$24.00	6	ELE403	\$50.00

Bus Bar



Brass hot feed bar with Bakelite Base. #10-32 Brass Terminals; two mounting holes

ELE115 \$15.00

Glass Electrical Fuses

Small



1/4" x 1-1/4"

Part	Each	Packs of 5
5Amp ELE516	\$1.00	5 Amp ELE521 \$7.00
10Amp ELE517	\$2.00	10 Amp ELE522 \$7.00
15Amp ELE518	\$2.00	20 Amp ELE523 \$8.00
20Amp ELE519	\$2.00	

Glass Electrical Fuses

Large



3/8" x 1-1/2"
32 volts max.

Part	Each
5Amp ELE270	\$7.00
10Amp ELE271	\$7.00
20Amp ELE272	\$7.00

Friction Tape



Old style, black. Used on electrical systems. 60' roll

Part	Each
3/4" ADH004	\$6.00
1-1/2" ADH003	\$15.00

Q-Dope



Seals wire ends that have been wrapped with our linen cord. It's clear insulating liquid is specifically designed to brush on bare spots on windings and coils. The 2 oz. bottle has a self-contained brush.

ELE136 \$22.00

Red Fiber Block



Vulcanized fiber that's tough and durable. Perfect for insulators and other fabrications. You can saw, machine, and shape it easily. Sold by the square inch.

Thickness	Part	Per Sq Inch
.062 (1/16")	ELE193	\$1.00
.125 (1/8")	ELE212	\$1.00
.250 (1/4")	ELE216	\$2.00
.500 (1/2")	ELE191	\$2.00
.750 (3/4")	ELE192	\$2.00

Linen Cord (Whipped Wire End)



Color	Part	Each
Ivory	ELE097	\$10.00
Black	ELE098	\$11.00
Brown	ELE099	\$12.00

This is used for wrapping wire ends on early electrical systems. A heavy beeswax coating keeps it in place while wrapped. Coat it with our Q-Dope (at right) for an authentic look. 25yd roll

Wire Ties



Lightweight aluminum and brass wire tie. 1/4" wide x 8" long x .032 thick.

Part	Each
Aluminum ELE172	\$4.00
Brass ELE244	\$5.00

Electrical Insulating Coating



Used for electrical and electronic connections. It is applied in liquid form and then cures, bonding with components and connections. Increased insulating and dielectric properties with additional applications.

ELE347 \$23.00

Tube Clamps

Line Clamps

Zinc Plated Light Duty Steel



Tube Dia.	Part	Each
Width .400 Length .750 3/16"	FAS019	\$1.00
Width .500 Length .837 1/4"	FAS210	\$2.50

Steel Clamps

Zinc Plated



Tube Dia.	Part	Each
1/4"	ELE013	\$1.00
3/8"	ELE014	\$1.50

Double Line Clamps

Heavy Duty Stainless Steel



Tube Dia.	Part	Each	Tube Dia.	Part	Each
3/16"	FAS126	\$3.00	1/2"	FAS130	\$3.50
1/4"	FAS127	\$3.00	5/8"	FAS131	\$4.50
5/16"	FAS128	\$3.00	3/4"	FAS132	\$4.50
3/8"	FAS129	\$3.50	7/8"	FAS133	\$4.50

Line Clamps

Heavy Duty Stainless Steel



Tube Dia.	Part	Each
3/16"	FAS118	\$3.00
1/4"	FAS119	\$3.00
5/16"	FAS120	\$3.00
3/8"	FAS121	\$3.00
1/2"	FAS122	\$3.00
5/8"	FAS123	\$4.00
3/4"	FAS124	\$4.00
7/8"	FAS125	\$4.00

Tubing Clamps



Tube Dia.	Neoprene Dipped	Aluminum Plain	Tube Dia.	Brass
1/4"	B17361 \$1.00	B17369 \$1.00	3/16"	B17380 \$2.00
5/16"	B17362 \$1.00	B17370 \$1.00	15/64"	B17386 \$2.50
3/8"	B17363 \$1.00	B17371 \$1.50	7/16"	B17381 \$2.50
1/2"	B17364 \$1.00	B17372 \$1.50	11/16"	B17382 \$3.00
5/8"	B17365 \$1.00	B17373 \$1.50	13/16"	B17383 \$3.00
3/4"	B17366 \$1.00	B17374 \$1.50	15/16"	B17384 \$3.50
7/8"	B17367 \$1.00	B17375 \$1.50	1"	B17385 \$4.00
1"	B17368 \$1.00	B17376 \$1.50		

info@RestorationStuff.com

www.RestorationStuff.com - Order online anytime!

"The Right Stuff!"

- 12 -

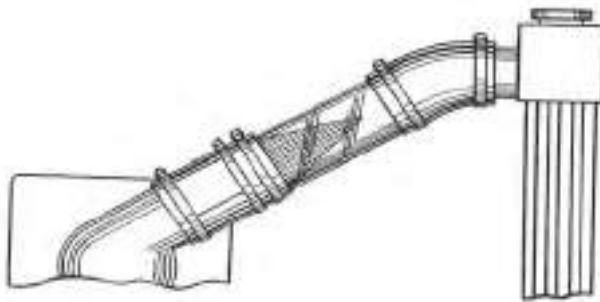
Phone: 1-800-306-7008

Fax: 1-760-739-8843

Restoration Supply Company

Gano Coolant Filters

A full flow filter designed to be installed in the upper radiator hose of your automobile. It prevents rust scale, rubber, gasket material and other matter from clogging your radiator. Available in clear plastic, aluminum and brass and comes in three sizes. The filter screen is 15 mesh with 225 openings per square inch.



- Stops radiator clogging
- Removes scale and rust
- Never needs replacing
- Easy to install
- Easy to clean



**Kit includes 2 clamps*

Small 1-1/8" to 1-3/8"

Clear	GAN014	\$42.00
Aluminum	GAN015	\$42.00
Brass	GAN016	\$47.00

Medium 1-1/2" to 1-3/4"

Clear	GAN017	\$42.00
Aluminum	GAN018	\$42.00
Brass	GAN019	\$47.00

Large 1-7/8" to 2-1/8"

Clear	GAN020	\$42.00
Aluminum	GAN021	\$42.00
Brass	GAN022	\$47.00

Gano Heater Core Filter



**Kit includes 2 clamps and an extra filter*

5/8" ID	GAN023	\$22.00
3/4" ID	GAN024	\$22.00

WWW.GANOFILTERS.COM

Gano Filters

Restoration Supply Company

Hose Clamps and Strap



Steel Band Clamp

Zinc Plated

Fits hose ODs of 1" to 4-1/2".
1/2" wide band.
Insert the end of the strap through the clamp lock and trim off excess. Tighten screw to secure hose.

FAS035 \$5.00

Adjustable Band Clamps



Stainless Steel 1/2" wide band.

	<u>Part</u>	<u>Each</u>
11/16 - 2-5/8" ID	FAS027	\$6.00
1-3/4-5" ID	FAS028	\$8.00



Adjustable Band Clamps

"Ideal" was the most effective fully adjustable screw clamp ever made. They are widely used on a number of vehicles. *Limited Supply (NOS).*

<u>Clamp ID</u>		<u>Part</u>	<u>Each</u>
3/4 - 7/8"	Zinc	FAS001	\$4.00
1 - 1-1/8"	Zinc	FAS002	\$4.00
1-1/2-1-5/8"	Zinc	FAS005	\$4.00
1-7/8 - 2"	Zinc	FAS007	\$4.00

Hose Clamp Strap



Zinc plated strap material for the hose clamp locks below. Wraps around hose twice. Length needed per clamp = 2x hose circumference + 1-1/2".

3/16" 5mm	BEL014	\$9.00
11/32" 9mm	BEL015	\$11.00

Sold in 3 Foot Rolls.

Hose Clamp Strap

Twist Lock
(Non-Ratchet)



Ratchet Lock



For use with strap at left, these reusable locks wind up, tighten, and lock in place. Use on hoses, muffler bodies, etc.

<u>Twist Lock</u>	
5mm	BEL002 \$5.00
9mm	BEL019 \$6.00

<u>Ratchet Lock</u>	
9mm	BEL003 \$34.00

Ties

Stainless Steel



Self locking ties, designed to secure exhaust wrap, fasten other insulation products and are useful in many different areas. Made of high grade 304 SS and a tensile strength over 100 lbs. Can withstand temperatures in excess of 2500 degrees F.

	<u>Part</u>	<u>Each</u>
8" tie has 2" diameter bundle size	FAS212	\$2.50
14" tie has 4" diameter bundle size	FAS213	\$2.50

Tower Type Hose Clamps



Galvanized steel band style w/fillister slotted screw. Also available with slotted hex head screws upon request.

<u>Hose Size</u>	<u>Clamp ID</u>	<u>Part</u>	<u>Each</u>
5/8"	7/8" - 1-1/4"	FAS200	\$7.00
3/4"	7/8" - 1-1/16"	FAS200	\$7.00
1"	7/8" - 1-1/4"	FAS199	\$7.00
1-1/8"	1-7/8" - 1-1/2"	FAS201	\$7.00
1-1/4"	1-7/8" - 1-1/2"	FAS201	\$7.00
1-3/8"	1-3/4" - 2"	FAS202	\$7.00
1-1/2"	1-3/4" - 2"	FAS202	\$7.00
1-5/8"	1-7/8" - 2-1/4"	FAS203	\$7.00
1-3/4"	1-7/8" - 2-1/4"	FAS203	\$7.00
1-7/8"	1-7/8" - 2-1/4"	FAS203	\$7.00
2"	2" - 2-9/16"	FAS204	\$7.00
2-1/8"	2" - 2-9/16"	FAS204	\$7.00

Heavy Duty Brass Hose Clamps



<u>Clamp ID</u>	<u>Part</u>	<u>Each</u>
2-1/4"	BRA350	\$30.00
2-7/16"	BRA351	\$30.00
2-9/16"	BRA353	\$30.00
2-1/2"	BRA352	\$30.00
3"	BRA355	\$30.00



info@RestorationStuff.com
www.RestorationStuff.com - Order online anytime!

" The Right Stuff!"

- 14 -

Phone: 1-800-306-7008
Fax: 1-760-739-8843

Restoration Supply Company

Radiator Hose Brick Red & Black



Red and black radiator hose is hand-wrapped with no writings, markings, or stripes. Clamps are listed by ID/OD Range. To assist you with ordering, check the Hose OD column and follow it across to get the correct size clamps for each of our radiator hose sizes. Sold by the foot.



Genuine Sherman /
Sherman Style



Light Duty Brass /
Steel Classic Band



Double Wire

Hand-Wrapped Radiator Hose

Hose ID	Hose OD	Black Hose	Red Hose
1/2"	7/8"	RUB075 \$17	RUB051 \$17
5/8"	1-1/16"	RUB076 \$17	RUB058 \$17
3/4"	1-3/16"	RUB077 \$18	RUB001 \$18
7/8"	1-1/4"	RUB078 \$19	RUB002 \$19
1"	1-3/8"	RUB079 \$20	RUB003 \$20
1-1/8"	1-1/2"	RUB084 \$21	RUB017 \$21
1-1/4"	1-21/32"	RUB080 \$22	RUB018 \$22
1-3/8"	1-3/4"	RUB085 \$23	RUB019 \$23
1-1/2"	1-7/8"	RUB081 \$23	RUB041 \$25
1-5/8"	2"	RUB086 \$24	RUB042 \$25
1-3/4"	2-1/8"	RUB082 \$26	RUB043 \$25
1-7/8"	2-3/8"	RUB087 \$26	RUB044 \$25
2"	2-3/8"	RUB083 \$26	RUB045 \$26
2-1/8"	2-1/2"		RUB046 \$28
2-1/4"	2-3/4"		RUB047 \$29
2-3/8"	2-3/4"		RUB056 \$30
2-1/2"	2-7/8"		RUB057 \$30

Hose Clamps

Clamp ID/OD Range	Genuine Heavy Duty Sherman Brass (NOS)*	Heavy Duty Sherman Style Brass	Light Duty Brass	Galvanized Steel Classic Band	Steel Double Wire
1/2 - 19/32"			BRA239 \$12		
9/16 - 5/8"	BRA310 \$12		BRA280 \$12	FAS177 \$5	FAS098 \$5
11/16 - 13/16"	BRA311 \$12		BRA281 \$12		
3/4"	BRA312 \$12				FAS099 \$5
29/32 - 1"	BRA313 \$21		BRA241 \$12		FAS100 \$5
1 - 1-1/16"	BRA315 \$22				FAS101 \$7
15/16 - 1-1/8"			BRA282 \$5	FAS180 \$5	FAS102 \$7
1-1/8 - 1-1/4"	BRA099 \$27		BRA283 \$5	FAS181 \$5	FAS103 \$7
1-1/4 - 1-5/16"	BRA102 \$27		BRA283 \$5		FAS104 \$7
1-7/16 - 1-1/2"	BRA344 \$42			FAS187 \$5**	FAS081 \$8
1-1/2 - 1-5/8"				FAS182 \$7	FAS009 \$8
1-5/8 - 1-3/4"		BRA067 \$45		FAS183 \$7	FAS105 \$8
1-3/4 - 1-7/8"		BRA068 \$45			
1-13/16 - 1-15/16"		BRA069 \$45		FAS184 \$8	FAS082 \$8
1-7/8 - 2"		BRA070 \$45			FAS106 \$8
2 - 2-1/8"		BRA071 \$45		FAS079 \$8	FAS083 \$10
2-1/4 - 2-3/8"		BRA072 \$45		FAS186 \$8	FAS107 \$10
2-3/8 - 2-1/2"		BRA073 \$45		FAS089 \$8*	
2-9/16"	BRA322 \$40*				FAS010 \$10
2-5/8 - 2-3/4"				FAS088 \$8	
2-7/8"	BRA080 \$42				FAS108 \$10
3-1/16"	BRA307 \$42			Use FAS035 on page 14	FAS109 \$10
3-1/4"	BRA081 \$42				
3-9/16"					
3-3/4"					FAS110 \$10

* NOS - VERY LIMITED AVAILABILITY
** ALSO AVAILABLE IN COPPER PLATED STEEL FAS073 \$6.00 Each

Radiator Hoses & Hose Clamps

info@RestorationStuff.com
www.RestorationStuff.com - Order online anytime!

" The Right Stuff! "
- 15 -

Phone: 1-800-306-7008
Fax: 1-760-739-8843

Restoration Supply Company

375° F Boiling Point at Zero psi

No Cavitation
No Boil-over
No Corrosion
No Silicates
Non-Toxic



Trucks
Motorcycles
Rails & Bajas
Anything with a
Water Pump

EVANS lifetime, corrosion free, WATERLESS engine coolants have been proven on professional race circuits and private multi-million dollar test tracks, exotic engine dynamometers, and in competition with virtually every major sanctioned body of racing.

- Waterless Antifreeze. Evans Coolant NPG+ c and Heavy Duty are fully synthetic & waterless. Compatible with ALL cooling systems with a water pump.
- If your cooling system has poor circulation flow; no coolant will work well. As with any system change, caution should be used to ensure proper operation of the cooling system.
- NPG+c is for light duty diesel and all gas cars in conditions ranging from -40°F to 375°F. Using NPG+c eliminates water-caused corrosion, electrolysis and cavitation. Heavy Duty is for larger diesel systems.
- Powersports Coolant provides similar benefits for motorcycles, ATVs and snowmobiles. Available in half-gallon bottles.
- See www.evanscooling.com or call us at the number below for product details, application, & information.

Cooling Stuff



	<u>Part</u>	<u>Each</u>
NPG+c	LUB200	\$50.00 Gallon
Power Sport	LUB202	\$35.00 Half Gallon
Prep Fluid	LUB034	\$35.00 Gallon



No-Rosion Additive



No-Rosion Cooling System Corrosion Inhibitor stabilizes coolant pH and protects all six metals most commonly found in cooling systems from corrosion and electrolysis - including aluminum. Polymer dispersants in No-Rosion prevent hardness in water, and inhibitors in antifreeze, from dropping out of solution to form gels that cause scales and deposits that cause overheating. Proper use of No-Rosion extends coolant life to five years. The flush is a powerful industrial grade formula that helps remove antifreeze gels and rust particles. It neutralizes weak acids, cleans, and cleans/primes metal surfaces inside the cooling system.

	<u>Part</u>	<u>Each</u>
Corrosion Inhibitor	LUB170	\$19.00
Flush	LUB171	\$19.00

In Line Thermostat

Clamps inside the upper radiator hose.
Opens at 160°.



ACC038

<u>Dia.</u>	<u>Part</u>	<u>Each</u>
1-1/2"	ACC038	\$50.00
2"	ACC173	\$17.00



ACC173

Water Pump Packing



A woven fiber packing impregnated with lubricant.
Rated at -170°F to 500°F, pressure rated at 300psi;
tolerates high shaft speeds. Seals with 25% less pressure.

<u>Width</u>	<u>Part</u>	<u>Per Foot</u>	<u>Width</u>	<u>Part</u>	<u>Price</u>
1/8"	GAS007	\$4.00	1/8"	GAS101	\$15.00 5 Foot Kit
3/16"	GAS059	\$8.00	3/16"	GAS102	\$28.00 5 Foot Kit
1/4"	GAS058	\$8.00	1/4"	GAS103	\$48.00 5 Foot Kit
5/16"	GAS060	\$10.00	5/16"	GAS104	\$63.00 5 Foot Kit

Thermostat
Water Pump
Packing

info@RestorationStuff.com

www.RestorationStuff.com - Order online anytime!

" The Right Stuff! "

- 16 -

Phone: 1-800-306-7008

Fax: 1-760-739-8843

Restoration Supply Company

Oil Accessories, Grease Adapters and Fittings

Alemite Pin Type Straights  <i>Part</i> <i>Each</i> PT1/8 NI LUB086 \$10.00 PT1/8BR LUB096 \$10.00 PT1/4NI LUB105 \$10.00 7/16-20"NI LUB108 \$15.00	Alemite Pin Type 1/8 PT  <i>Part</i> <i>Each</i> Nickel 90° LUB087 \$10.00 Nickel 45° LUB095 \$10.00 Brass 90° LUB106 \$10.00	Alemite Pin Type Dust Cover  Nickel Plated with spring. LUB091 \$5.00	Grease Gun Adapter Zerk to Alemite Pin Type  LUB090 \$27.00	Alemite Pin Type Adapter  Threads on 1/8PT gun. LUB071 \$41.00
---	--	--	--	---

Zerk Fitting  Non Threaded 5/16 press in. LUB081 \$1.50	Zerk Installation Drive Tool  For LUB081 LUB088 \$8.00	Zerk Straight  1/8 PT Threaded LUB082 \$2.00	Zerk 25° hex 5/16  Non-Threaded LUB083 \$2.00	Zerk 25° ball type  1/8PT LUB089 \$2.50	Zerk Grease Gun Adapter  Threads on 1/8PT gun LUB093 \$10.00
--	---	---	--	--	---

Button Head  <i>Part</i> <i>Each</i> 1/8 PT LUB084 \$6.00 1/4 PT LUB085 \$4.00	Button Head Grease Gun Adapter  Threads on 1/8 PT gun. LUB094 \$52.00	Button Head Adapters Push/Pull-on. Threads on 1/8 pt gun.  Push on LUB076 \$16.00 Pull on LUB077 \$16.00 Articulated Swivel Type - threads on 1/8 PT gun LUB078 \$26.00	Enots Adapter  Threads on 1/8 PT gun. LUB072 \$57.00
---	---	--	--

Oil Gun & Hose



22" long. Comes with a 5-inch long rigid connection tube with an adapter for Zerk fittings. The gun and the connecting tube have 1/8" NPT threads. We sell separately 18" rubber connection tubes and adapters for button head, Enots, Pin-Type and Old Style Zerk Fittings.

Part *Each*
 Oil Gun LUB165 \$200.00
 18" Flex. Hose LUB166 \$27.00


Handy Bearing Packer



Quickly flushes out old grease and replaces it with new grease. Works on bearings up to 3-1/2" OD.


LUB074 \$ 39.00

Oil Guns




1-1/2" x 12" Barrel
 FLU035 \$150.00

These brass, self-filling oil guns are made for forcing heavy oil into transmissions, rear axles, and other hard to reach spots. They also work well for removing oil where there's no drain.



1-1/4" x 7" Barrel
 FLU034 \$84.00

Syringe



Reusable/disposable 1/2oz syringe. Perfect for dispersing lubricants and epoxies.

LUB020 \$2.50

Order online anytime!



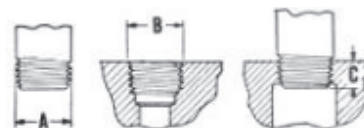
<https://restorationstuff.com/ecommerce>

Restoration Supply Company

Tech Tip

What does PT (Pipe Thread) Mean?

To actually determine the **size** of a **pipe**, the outside **diameter** of each **pipe** or fitting must be measured and compared to the table for **size** identification. For example, a 1/4" NPT **pipe** thread has an outside **diameter** of .540 inches. Each **thread** size has a defined number of **threads** per inch (TPI).



Pipe Thread Size	OD Actual (inches)	OD Fraction Inch (quick reference only)	Threads per Inch
1/8	0.405	13/32	27
1/4	0.540	35/64	18

Valves & Plugs

Priming Cups

Solid Brass



Authentically styled, similar to many originals. Height 2-11/32"; cup diameter 5/8".

Part	Each
1/8 PT FLU003	\$33.00
1/4 PT FLU012	\$33.00

Brass Cocks

Solid Brass



Thumb grip lever. Female pipe threads on both ends.

Part	Each
1/8PT FLU013	\$14.00
1/4PT FLU014	\$16.00

Male pipe threads on both ends.

1/8PT FLU008	\$12.00
--------------	---------

Fuel Shut-Off Valves

Solid Brass



Easy to turn, with Buna-N O-ring seals. 30psi. -40° to +250°, rated for gas, oil, kerosene, air and LP. Does not leak or drip.

End style	Size	Part	Each
Male / Female	1/8 PT	FLU015	\$32.00
Female/Female	1/8 PT	FLU018	\$30.00
Male / Female	1/4 PT	FLU016	\$31.00
Female/ Female	1/4 PT	FLU017	\$33.00

Angled Spigots

Brass

"L" Handle



Part	Each
1/8 PT FLU005	\$14.00
1/4 PT FLU010	\$15.00

Angled Spigots

Brass

"T" Handle



Part	Each
1/8 PT FLU058	\$15.00
1/4 PT FLU059	\$15.00

Straight Spigots

Brass



Part	Each
1/8 PT FLU036	\$14.00
1/4 PT FLU042	\$16.00

Radiator Drains

Brass



Part	Each
1/8 PT FLU051	\$10.00
1/4 PT FLU052	\$11.00

Radiator Drains

Brass

Top drain



Part	Each
1/8 PT FLU055	\$7.00
1/4 PT FLU056	\$9.00

Radiator Drains

Brass

Side drain



Part	Each
1/8 PT FLU053	\$11.00
1/4 PT FLU054	\$12.00

Slotted Head Pipe Plugs

Brass



Part	Each
1/8 PT FLU004	\$3.00
1/4 PT FLU057	\$3.00

Square Head Pipe Plugs

Brass

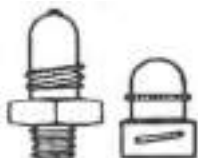


Size	Part	Each	Size	Part	Each
1/8 PT	FLU082	\$2.50	3/8 PT	FLU084	\$4.00
1/4 PT	FLU083	\$2.50	1/2 PT	FLU085	\$6.00

Enots Oilers

Enots Oilers & Cap

Common on British cars, notably Rolls-Royce. The caps fit original oilers. Nickel plated and ready to install. 5/16" BSF measures 19/64" across threads. 1/8" PT measures 3/8".



Imported from England.

Oiler	Part	Each
5/16 BSF	LUB005	\$14.00
1/8 PT	LUB006	\$14.00
Cap	LUB007	\$16.00

info@RestorationStuff.com

www.RestorationStuff.com - Order online anytime!

" The Right Stuff!"

- 18 -

Phone: 1-800-306-7008

Fax: 1-760-739-8843

Restoration Supply Company

T" Top

Lunkenheimer Style Grease Cups

Solid Brass



Reproduction of the original grease cups used on many early automobiles. They are unpolished brass with locking caps. The listed prices are without logo. Can be stamped by request for \$5.00 each.

Flat Top



	OD	PT	Part	Each
"T"	#000 13/16"	1/8"	FLU072	\$55.00
	#00 1-1/16"	1/8"	FLU071	\$65.00
Flat	#000 13/16"	1/8"	FLU067	\$64.00
	#00 1-1/16"	1/8"	FLU066	\$67.00

Grease Cups

Solid Brass Flat Top



"T" Handle



←Screw down feed.

	OD	PT	Part	Each
"T" Top	#000 13/16"	1/8"	FLU074	\$35.00 w/Zerk fitting
Flat	#000 13/16"	1/8"	FLU073	\$35.00 w/Zerk fitting
Flat Top	#00 19/32"	1/8"	FLU090	\$35.00 NOS
T Handle	#00 1	1/8"	FLU061	\$78.00 Screw down feed
T Handle	#00 1-1/8"	1/8"	FLU062	\$84.00 Screw down feed

Spring Replacement spring for Bowens and other cups. **FLU079 \$1.00**

Grease Cups

Grease Cups

Brass



OD	PT	Part	Each
13/16"	1/8"	FLU086	\$19.00 Stamped
1-1/4"	1/8"	FLU024	\$62.00 Machined
1-3/8"	1/4"	FLU087	\$15.00 Stamped
1-1/2"	1/8"	FLU025	\$78.00 Machined
2"	1/4"	FLU026	\$78.00 Machined

Grease Cups



OD	Thread	Part	Each
9/16"	5/16-22	FLU037	\$34.00 Brass Cups with Steel Base.
9/16"	1/4"-32	FLU040	\$20.00 Brass
		FLU041	\$24.00 NP Brass
Thread	Hex	HT	
5/16-24	5/8	3/4	FLU030 \$20.00 Brass spring loaded.

Grease Cups

Stamped Steel



OD	PT	Part	Each
13/16"	1/8"	FLU027	\$11.00
1"	1/8"	FLU028	\$11.00
1-3/8"	1/4"	FLU069	\$16.00
1-1/2"	1/4"	FLU070	\$17.00

Oil Cups

Machined Brass



OD	PT	Part	Each
3/4"	1/8"	FLU032	\$33.00
7/8"	1/8"	FLU033	\$35.00

Spring Cap Oilers

Stamped Steel



PT	Part	Each	PT	Part	Each
1/8"	LUB235	\$16.00	3/16" Press fit	LUB075	\$7.00
10-32"	LUB067	\$11.00	1/4" Press fit	LUB069	\$7.00
1/4-32"	LUB068	\$11.00	5/16" Press fit	LUB070	\$9.00
5/16-32" (NOS)	LUB193	\$5.00			

Bowen Flip Top Oilers

Solid Brass



Wrench Size	Height w/out Threads	PT	Part	Each
7/16"	3/8"	1/8"	LUB063	\$31.00

Telescope Oilers



1/8"PT, 1-1/16" High

Part	Each
Nickel Plated LUB104	\$28.00
Brass LUB109	\$28.00

Spring Cap Oiler

Zinc Plated



90° Zinc die cast flip top oiler, 1/8PT, 5/16" thread length, 3/4" overall height, 1-1/8" overall length.

LUB065 \$20.00

Oilers

Ball Oilers

Zinc Plated Brass



Spring loaded ball type

Thread Size	Part	Each
1/8"	LUB092	\$14.00
1/4-32"	LUB097	\$7.00
5/16-32"	LUB098	\$14.00

Twist Top Oilers



Thread Size	Part	Each
1/4"-32 Brass	LUB192	\$19.00
1/4" PT Nickel Plated	LUB079	\$16.00
1/8" PT Brass	LUB099	\$16.00
1/8" PT Nickel Plated	LUB100	\$18.00

info@RestorationStuff.com
www.RestorationStuff.com - Order online anytime!

" The Right Stuff!"
- 19 -

Phone: 1-800-306-7008
Fax: 1-760-739-8843

Restoration Supply Company

Nitrophyl Material



NITROPHYL® Float Material

Used to replace old cork floats.
Machinable, and impervious to gasoline.
Closed cell, does not have to be sealed.

6"x 6" x 1" Flat Block
3"x 3" x 1" Flat Block
2" round x 3" Long

Part	Each
NIT001	\$69.00
NIT002	\$20.00
NIT003	\$14.00



Recommended glue; Scotch-Weld DP 190 Gray.

Schebler "D" Float	Schebler "L" Float	Buick Float	Schebler "R" Float	Schebler "RL" Float
 OD 2-7/8" ID 1-5/8" HT 5/8" CAR001 \$90.00	 OD 2-3/4" ID 1-5/8" HT 25/32" CAR002 \$90.00	 HT 3/4" ID 2" CAR003 \$30.00	 OD 2-9/16" ID 1-3/4" HT 49/64" CAR017 \$90.00	 OD 2-5/8" ID 1-9/16" HT 5/8" CAR018 \$90.00
Zenith Model "T" Float	Detroit Lub. Float	Detroit Lub. Float	Cork Block	Brass Float
 OD 1-7/8" HT 3/4" CAR019 \$70.00	 OD 2" HT 7/8" CAR020 \$70.00	 OD 1-15/16" HT 7/8" CAR021 \$70.00	 4 x 8 x 3 must be sealed when used with gasoline. COR001 \$14.00	 Can be adapted to repair gas and oil lever gauges. 1.380 Dia. 2.420 Long BRA288 \$20.00
Johnson 4 Cyl Cadillac	Johnson A-1	Tillotson B-86		
 OD 2-11/16" ID 1" HT 13/16" CAR022 \$90.00	 OD 2-3/8" ID 1" HT 3/4" CAR023 \$90.00	 OD 2-1/2" ID 1-9/16" HT 3/4" CAR024 \$90.00		

Fuel Bowls & Filters

Sediment Bowl with Filter	Sediment Bowl Assembly					
 Die cast body with glass bowl. 1/8" Female inlet & outlet. With replaceable filter ACC147 <i>Part</i> \$50.00 <i>Each</i> With mesh screen ACC149 <i>Part</i> \$52.00 <i>Each</i>	 Die cast body with heavy duty glass bowl. Fine mesh brass screen, gasket, and mounting nut. ACC013 \$48.00	 HT 2-3/8" ID 1-5/8" OD 2-1/8" ACC079 \$12.00	 2 1/8" OD 1-5/8" ID ACC192 \$1.00	 1-1/2" OD 1/2" ID ACC193 \$2.00	 Used for ACC147 ACC148 \$16.00	 Comes in a vial. Enough to fill one gauge. ACC194 \$20.00

EZ TurLube & Fuel Pump

Electric Fuel Pump	EZ Turn Lubricant
 Externally mounted. Rated at 30 gph, 4 psi. Inlet / outlet is 1/8 pipe thread. 6V FLU091 <i>Part</i> \$72.00 <i>Each</i> 12V FLU092 <i>Part</i> \$63.00 <i>Each</i>	 Multipurpose, fuel resistant with a high temp rating, and mil. spec. Extremely effective where high octane fuels, chemical compounds, salt water and harsh environments are presented. It will not crack or dry and is great for anti-corrosion, anti-seize, anti-wear agents, gasket paste, gas valves and many other applications. 5 oz. Tube LUB168 \$29.00

info@RestorationStuff.com
www.RestorationStuff.com - Order online anytime!

" The Right Stuff! "

- 20 -

Phone: 1-800-306-7008
Fax: 1-760-739-8843

Restoration Supply Company

Fuel Pump Repair Kits

These are for single-action mechanical fuel pumps. Contains everything that is normally needed to rebuild a fuel pump except the rocker arm, as most of the time it is reusable. All diaphragms are .060" thick nylon reinforced rubber and good for gas that has up to 10% alcohol. Please see our website for detailed images of each fuel pump repair kit.

Fuel Pump Repair Kits & Primer Cups

FPA016 \$34.00

Type B Pump

Auburn1930, 1935-41
 Brockway1930, 1935-43
 Buick1930-32
 Checker Cab ..1932-35, 1939-42
 Chevrolet1929-33
 Chrysler1930-32, 1936-42
 Corbitt1934-42
 Dart1930, 1938-41
 De Soto1930-32, 1936-42
 Diamond T1935-41
 Divco1932-33
 Dodge1930-42
 Dodge Truck1930-50
 Fageol1929, 32-35, 1938
 Gramm1931-32, 1935-39
 Hendrickson1932, 1939-40
 Hug1938-42
 Indiana1932, 1936-38
 Ingersoll Rand1935-43, 1946
 International Harvester ..1932-40
 Mack1937-41
 Nash1930-33
 Nelson Le Moon 1930-31, 36-39
 New England1932, 1938
 Oldsmobile1930-31
 Plymouth1930-32
 Pontiac1929-32
 Reo1929, 31-32
 Reo Truck1931-33, 40
 Sterling1932, 35-44
 Stewart1935-37
 Studebaker Truck1935-41
 Terraplane1932
 Twin Coach1929-31, 35-43
 U.S. Motors1938-43
 Walter Tr.1936-43
 Ward La France .1931-32, 36-39
 White1935-46
 Willys1930-32, 37
 Yellow Coach1930-32, 34-36

FPA019 \$34.00

Type D Pump

Available1938-46
 Auto Car1932-49
 Brockway1935-48
 Buick1931
 Cadillac1932-37
 Chrysler1930-31, 33-41
 Corbitt1935-40, 46
 Cord1937
 Dart1936-46
 Diamond T1933-48
 Dodge1931-33
 Dodge Truck1930-48
 Federal1932, 37-46
 GM Truck1931-44
 Gramm1936-41
 Hendrickson1932, 41, 43-46
 Hug1935-41
 Hupmobile1936, 38-39
 Indiana1935-38
 Ingersoll Rand1935-43
 International Harvester 1932-43
 Kenworth1935-46
 Koehring1936-43
 Lincoln1932
 Mack1935-47
 Nash1932
 Nelson Le Moon1936-39
 New England1932, 40
 Pierce Arrow1935-37
 Reo Truck1938-46
 Sterling1938-44
 Stewart1935-42
 Studebaker1941-42
 Studebaker Truck1938-41
 Twin Coach1935-41, 46
 Walter Truck1935-43
 Ward La France1936-40, 46
 White1933, 35-46
 Yellow Coach1930-41

FPA048 \$54.00

Type AT Pump

Chrysler1938-46
 De Soto1938-46
 Dodge1938-46
 International1940-49
 Packard1940-48
 Plymouth1939-46
 Kaiser-Frazer1946-47



FPA146 \$54.00

Type AF Pump

American Bantam ...1941
 Buick1938-39
 Chevrolet1937-51
 GM Truck1939-51
 General Taxicab .1937-38
 Hudson1938-43
 Willys1937-42
 Yellow Coach1938-42



Diaphragm Material DIA030 \$48.00 Square Foot

Leather Pump Cups

Used for hand air pressure pumps.

1" CAR004 \$10.00	2" CAR011 \$13.00
1-1/4" CAR005 \$10.00	3/4" CAR012 \$10.00
1-5/16" CAR006 \$12.00	1-1/8" CAR013 \$11.00
1-1/2" CAR007 \$12.00	1-3/8" CAR014 \$12.00
1-5/8" CAR008 \$12.00	1-3/4" CAR015 \$12.00
1-13/16" CAR009 \$12.00	1-15/16" CAR016 \$13.00
1-7/8" CAR010 \$12.00	

FPA017 \$54.00

Type R Pump

Hendrickson1936
 Hudson1934-36
 Lafayette1934-35
 Nash1934-36
 Packard1935
 Pontiac1934-36
 Studebaker1934-35
 Terraplane1934-36

FPA028 \$54.00

Type W Pump

Buick1934-38
 Chevrolet1934-36
 General Taxicab1936
 Lafayette1936-40
 Nash1935-51
 Studebaker1939-51

FPA036 \$54.00

Type AH Pump

Chrysler1939-50
 GM Truck1937-44
 Hudson1948-51
 Oldsmobile1937-39
 Packard1940-48
 Pontiac1937-50
 White1940-46
 Yellow Coach1938-43

FPA018 \$34.00

Type A Pump

Buick1929
 Cleveland Tractor ...1929, 36-39
 Hupmobile1936, 38-39
 Moreland1936, 38-39
 Reo Truck1938-39
 White1929-32, 39
 Yellow Coach1929-30, 32

Stewart Warner Vacuum Tank Gasket

OD- 4-1/2" inches
 ID-3-3/8" inches
 Hole Center - 3-7/8" inches
 Thickness - 1/16"



GAS070 \$8.00

Autovac Funnel

Made of sturdy polypropylene, it fits the autovac's 1/8 pipe hole; top diameter 3" stem diameter .285.



FLU065 \$20.00

info@RestorationStuff.com

www.RestorationStuff.com - Order online anytime!

" The Right Stuff! "

- 21 -

Phone: 1-800-306-7008

Fax: 1-760-739-8843

Restoration Supply Company

Lubriplate Lubricants



Lubriplate Lubricants

SPO Gear Oil

Sold by the Quart.

Designed for a wide variety of industrial applications such as gear cases, machine ways, chains and general purpose lubrication. These oils will provide a long-lasting wear resistant film that reduces friction and heat. The polar affinity of SPO protects metal surfaces from rust and corrosion as well as chemical corrosion. They have excellent remissibility, oxidation resistance and thermal stability, thus extending lubricant life. Can be mixed with each other for viscosity tuning.

Actual field operations have proven that LUBRIPLATE SPO Lubricants provide a tacky, superior lubricating film for high-sliding action in worm, bevel, helical and spur gears as well as machine ways, chains etc. This series of products will reduce friction and heat, thus improving efficiency. The anti-wear properties are compatible with brass, bronze and silver-alloy metals. They are excellent for areas of high moisture, heat and load found in many industries ranging from quarries and mills to food processing.

<i>Oil Weight</i>	<i>Lubriplate Number</i>	<i>RSC Part Number</i>	<i>Price</i>
90W	SPO-255	LUB014	\$24.00
110W	SPO-266	LUB015	\$22.00
140W	SPO-277	LUB010	\$22.00
250W	SPO-288	LUB012	\$22.00
600W	SPO-299	LUB008	\$22.00

Super HDS Motor Oil

Sold by the Quart.

Formulated with a proven chemistry of additives designed for the severe service capability needed to meet the exacting new automotive and military requirements for internal combustion engines. Contains approx. 800ppm ZDDP. See website for chemical analysis.



<i>Oil Weight</i>	<i>Lubriplate Number</i>	<i>RSC Part Number</i>	<i>Price</i>
10w	L0788	LUB139	\$6.00
5-20w	L0789	LUB140	\$6.00
SAE 30	L0791	LUB023	\$8.00
SAE 40	L0792	LUB141	\$9.00
SAE 50	L0793	LUB142	\$9.00

Non-Detergent Motor Oil

Sold by the Quart.

High V. I., high flash and fire, extra clean motor oils recommended wherever operating conditions require an oil of this type.



<i>Oil Weight</i>	<i>Lubriplate Number</i>	<i>RSC Part Number</i>	<i>Price</i>
SAE 10w	L0804	LUB135	\$7.00
20-20w	L0806	LUB136	\$7.00
SAE 30	L0807	LUB022	\$10.00
SAE 40	L0808	LUB137	\$10.00
SAE 50	L0809	LUB138	\$10.00

info@RestorationStuff.com

www.RestorationStuff.com - Order online anytime!

" The Right Stuff! "

- 22 -



Phone: 1-800-306-7008

Fax: 1-760-739-8843

Restoration Supply Company

Specialty Greases and Lubricants

Part Price

 	Semi Fluid Grease 1000w	MAG-00	A shear stable, multi-functional, non-corrosive, extreme pressure, water resistant, semi-fluid polymer type lubricant for both plain and anti-friction bearings, gears, cams and slides. Works well with older transmissions and rear ends with severe leakage problems. White, 1 quart bottle. NLGI No. 00	LUB002	\$27.00
	Semi Fluid Grease 1500w	1500	A lithium complex grease that can be used for a variety of industrial, automotive and heavy-duty construction applications. This rugged, extreme pressure lubricant can withstand higher operating temperatures than traditional lithium multi-purpose greases as well as most lithium complex greases. It is suited for use in leaky gear cases that require a semi-fluid grease. White, 1 quart bottle, re-bottled from drum. NLGI No. 00	LUB120	\$34.00
	Water Pump Grease	115	Calcium grease, NLGI No. 4. Ideal water pump lubricant. 14 oz can.	LUB003	\$15.00
	Aero Grease	AERO	Neutral lithium based lubricant. Manufactured with a light viscosity mineral oil that remains plastic down to -70°F, has an ASTM Dropping Point of over 350°F and is an NLGI No. 1 consistency. Good chassis lube. 14 oz can.	LUB122	\$13.00
	Wheel Bearing Grease	L0220	Non-corrosive, extreme pressure, water resistant, shear stable lubricant. Designed for all type of wheel bearings. Ok for disk brake wheel use. 16 oz tub	LUB024	\$15.00
	Engine Assembly Lube	No. 105	A white, grease type lubricant possessing exceptional anti-seize properties. Recommended for coating all moving parts for motor assembly and rebuilding. It will dissipate into the oil with no harmful results. 10 oz squeeze tube.	LUB025	\$9.00
	Chain and Cable Fluid	L0135	A lubricating, penetrating and cleansing fluid designed for a multitude of applications. It will not produce a dry surface and will maintain a moist film that will not pick up dust and dirt. Acts as a cleansing agent. 12 oz. Aerosol.	LUB021	\$11.00

Lubriplate Lubricants

Meropa 1500 Gear Oil



This is the thickest and heaviest oil we can pour. It pours like molasses and it will flow. Great for early transmissions and rear axles. Good with yellow metals.

Part Each

1 Quart **LUB026** **\$15.00**
1 Gallon **LUB164** **\$52.00**

ZDDPlus



Straight additive for your oil. Add to your 5 qt. oil change to take the ZDDP level back to the levels your engine needs.

4 oz. Bottle **LUB103** **\$11.00**

ZDDPlus & Gear Oil

info@RestorationStuff.com
www.RestorationStuff.com - Order online anytime!

" The Right Stuff! "

- 23 -

Phone: 1-800-306-7008
Fax: 1-760-739-8843

Restoration Supply Company



PENRITE OIL

Founded in Australia in 1926, Penrite has a wealth of experience behind its products and offers a complete range of oil and greases for classic, veteran and vintage cars and motorcycles. Specifically formulated to meet original engine and vehicle requirements, by utilizing the very best of modern technology.

As each vehicle's needs are different, Penrite has made recommendations for most every Vintage and Classic vehicle manufactured. To get specific recommendations for your vehicle, MSDS sheets and detailed product specification sheets, including chemistry, visit www.PenriteOil.com.

50 gram	=	1.7635 oz.
500 gram	=	17.64 oz.
125ml	=	.13 quarts
150ml	=	.32 pints
500ml	=	.53 quarts
1 litre	=	0.2642 gallons
1 litre	=	2.1134 pints
1 litre	=	1.0567 quarts
2.5 litre	=	2.64 quarts
5 litres	=	5.2835 quarts
1 fl ounce	=	29.57353 mil litres
1 gallon	=	3.7853 litres
1 pint	=	0.4732 litres
1 quart	=	0.9463 litres

Penrite Lubricants

Penrite Engineered Engine Oils

Classic HPR Range. Designed for vehicles from 1950's - 1979

Classic HPR 30 Light	20w-60 motor oil	1-litre jug LUB046 \$14.00	5-litre jug LUB049 \$54.00
Classic HPR 40 Medium	25w-70 motor oil	1-litre jug LUB047 \$14.00	5-litre jug LUB050 \$50.00
Classic HPR 50 Heavy	40w-70 motor oil	1-litre jug LUB048 \$20.00	5-litre jug LUB051 \$50.00

Shelsley Range. Designed for vehicles from 1920's - 1950's

Shelsley Light 20W-60	30w motor oil	1-litre jug LUB040 \$13.00	5-litre jug LUB043 \$50.00
Shelsley Medium 25W-70	SAE 40 motor oil		5-litre jug LUB036 \$50.00
Shelsley Heavy 40W-70	SAE 50 motor oil		5-litre jug LUB044 \$55.00

Heritage Range. Designed for vehicles Pre-1920

Light-to-Medium	30w motor oil		5-litre jug LUB112 \$45.00
Medium-to-Heavy	SAE 40 motor oil		5-litre jug LUB113 \$45.00

Specialty Engine Oils

Classic 20w-50	Non-synthetic		5-litre jug LUB045 \$40.00
Running In Oil	First 300 miles	1-litre jug LUB110 \$14.00	5-litre jug LUB111 \$50.00

STEERING BOX LUBE /SEMI FLUID - Our Best Seller

1200w, EP non-leaking, manual box specialty gear oil
NLGI 00 Lithium Base



500 Gram Bottle LUB009 \$19.00

info@RestorationStuff.com

www.RestorationStuff.com - Order online anytime!

" The Right Stuff! "

- 24 -

Phone: 1-800-306-7008

Fax: 1-760-739-8843

Restoration Supply Company



PENRITE OIL

Penrite Engineered Gear Oils


Transoil Range. Non-additive. Straight Bevel & Worm gears

Transoil 90	OK w/yellow metal	1-litre jug LUB029 \$15.00	
Transoil 140	OK w/yellow metal	1-litre jug LUB030 \$15.00	
Transoil 250	OK w/yellow metal	1-litre jug LUB031 \$16.00	

Gearbox Range. Straight, Synchro & Epicyclic gears & Overdrives

Gearbox 30	OK w/yellow metal	1-litre jug LUB052 \$15.00	5-litre jug LUB053 \$57.00
Gearbox 40	OK w/yellow metal	1-litre jug LUB054 \$16.00	

Penrite Engineered Lubricants Specialty Gear Oils

Pro Gear 75w-90	Full synthetic	--	2.5-litre jug LUB157 \$55.00
Pro Gear 80w-140	Full synthetic	--	2.5-litre jug LUB158 \$55.00
Mild EP SAE 90-140	OK w/yellow metal	1-litre jug LUB116 \$19.00	
Hypoid 80w-90 GL-5	No Yellow Metal	1-litre jug LUB133 \$18.00	5-litre jug LUB039 \$59.00
Hypoid 85w-140	No Yellow Metal		5-litre jug LUB130 \$35.00
Limslip 85w-140 GL-6	No Yellow Metal	--	5-litre jug LUB126 \$37.00
 Steering Box Lube/ Semi Fluid	1200w, EP, non-leaking, manual boxes OK w/yellow metal NLGI 00 Lithium Base		500 grams LUB009 \$19.00
SU Dashpot Carb oil	Pre-1940 SU and Stromberg w/damper		40 grams LUB032 \$10.00
SU Damper Carb oil	Post 1940 SU and Stromberg w/damper		150 ml LUB059 \$12.00
Shocker Oil #1	Single and double acting including Jackall system		500 ml LUB114 \$18.00
Shocker Oil #2	Heavier for increased damp & non-piston		500 ml LUB115 \$12.00

Greases

Cam Assy Lube	Assembly lube, dissolves in oil	125 ml LUB119 \$17.00
Graphite Grease	Water resistant, ideal for shackle & leafs	500 gram can LUB056 \$16.00
HI-Melt Grease	Lithium base, vintage and classic wheel bearings	500 gram can LUB129 \$15.00
Rubber Grease	Red Clay base, for natural or synthetic rubber, not for brake backing plates	500 gram can LUB167 \$15.00

Specialty Products

Corrosion Protection	Classic car coolant for optimum corrosion protection	1 litre jug LUB058 \$16.00
Valve Shield	Lead replacement additive. Mix 1ml/liter	1 litre jug LUB125 \$22.00
Copper EZ	Anti-seize temp resistant to 2000 deg F, use on studs, nuts, bolts, etc. For easy assembly/disassembly	500 gram can LUB131 \$20.00 50 gram tube LUB132 \$7.00

Penrite Lubricants

info@RestorationStuff.com

www.RestorationStuff.com - Order online anytime!

"The Right Stuff!"

- 25 -

Phone: 1-800-306-7008

Fax: 1-760-739-8843

Restoration Supply Company

Winged Valve Stem Covers

Valve Stem Cover

Early Michelin Style

Overall length 2-1/2";
wingspan 2".

Comes w/adaptor for rubber
or metal-stemmed tubes.



	<u>Part</u>	<u>Each</u>
Brass	ACC300	\$90.00
Nickel	ACC301	\$90.00

Air Pump
Hose and Kit



Air Pump Hose

Replaces the old, dried or cracked hose on all kinds of air pumps.
The hose is black with a cloth covered appearance; it is 19" long.
Hardware includes 2 period correct clamps and a valve stem adapter.
Sold by the each.

	<u>Part</u>	<u>Each</u>
Hose	ACC176	\$10.00
Hardware	ACC178	\$12.00

Muffler Sections



Exhaust Cutout

It is unlikely you'll find a restorable large bore cutout, so we made some exact iron replicas, which are correct down to the foundry number and patent date. (pat. June 24, 1913).
A full deflector type which diverts all the exhaust out of the opening, it has machined inlet and outlet openings so you can bore it to your own specifications.
It accommodates pipes 2-1/2" - 3-1/4".
The new smaller cutout accommodates pipes 1-1/2" - 2-1/2".

	<u>Part</u>	<u>Each</u>
1-1/2" - 2-1/2" OD	MEC024	\$600.00
2-1/2" - 3-1/4" OD	MEC025	\$625.00

info@RestorationStuff.com
www.RestorationStuff.com - Order online anytime!

"The Right Stuff!"

- 26 -

Phone: 1-800-306-7008
Fax: 1-760-739-8843

Restoration Supply Company

Muffler Wraps

Muffler Sections



Designed for the Powell Muffler; these stamped steel sections are 6-1/2" in diameter and stand 2" tall. Each section will add 1-1/2" to your muffler overall length. Stack together as many pieces as you need. You will need to provide your own end sections. *Sold by the sectional piece.*

MEC030 \$33.00 Each

Muffler Wrap



A substitute for asbestos, this 1/8" thick ceramic wrap is ideal for wrapping mufflers and straight pipes. Easy to handle and cut. We recommend our hose clamp strap and locks sold on page 14 to hold it in place. It is heat resistant to 2300°F. 24" wide. *Sold by the linear foot; white only.*

CLO043 \$13.00 Foot

Ceramic Tape



1" wide x 1/8" thick. Has the same properties as the ceramic rope below. It's an excellent insulation material for high temperature exhaust systems on many antique and classic vehicles. We suggest you overlap each wrap about 1/2" to give it the correct look and maximum insulation. Secure the ends with wire or our band clamps sold on page 14. *Fine weave. Sold by the foot; white only.*

Note: This product may smoke heavily during burn in.

CLO022 \$2.50 Foot

Adhesive Ceramic Tape



Similar to CLO022 above, except it has a coarser weave and an adhesive backing to aid in installation. Good to 1500°F. *Sold by the foot; tan only.*

Note: This product may smoke heavily during burn in.

1" Wide CLO046 \$3.00 Foot 2" Wide CLO051 \$4.00 Foot

Ceramic Rope



The correct replacement for old asbestos cord used to wrap exhaust systems. It is a high density, high temperature, non-hazardous material which is the closest to the original we've found so far. Its diameter is 3/8" but reduces to approximately 5/16" when stretched around an exhaust. *Sold by the foot; white only.*

Note: This product may smoke heavily during burn in.

CLO021 \$1.00 Foot

Muffler Wrap Woven Blanket



Asbestos free, however, it has an appearance much like it. It has a coarse weave and is tan in color. It is very pliable and will wrap nicely without the fear of tearing. High strength, durable, dimensional and chemically stable. Will not burn and resistant to molten sparks and splashes. Use up to 1500°F. As well as making a good welding splash shield, it works for insulation, padding, and gaskets. The blanket is 1/16" thick and on a 40" wide roll. *Sold by the linear foot; tan only.*

NOTE: This product may smoke heavily during burn in.

CLO053 \$22.00 Linear Foot

High Temperature Woven Slewing



Asbestos free, but still has the old, coarse weave and look of it. Use up to 1500°F. Perfect for wires or tubes that you want to protect from heat. Coarse weave and tan in color. Will not shrink or burn and electrically resistant. *Sold by the foot; tan only.*

NOTE: This product may smoke heavily during burn in.

1/4" ID CLO054 \$3.00 Foot 1/2" ID CLO055 \$3.00 Foot

Ceramic Paper



Made from asbestos free Alumina based refractory fibers. Melting point of 3200°F, and continuous temp of 2300°F. Resistant to thermal shock, corrosion. It can be cut with ordinary hand scissors, folded, wrapped, rolled and will mold around sharp corners. Ideal for gaskets, furnaces, electrical insulators. Be sure to specify what size you need. Roll width is 24 inches. *Sold by the square inch; white only.*

NOTE: This product may smoke heavily during burn in.

White 1/16" Thick CLO057 \$0.40 Square Inch 1/32" Thick CLO056 \$0.40 Square Inch

Restoration Supply Company

Oval, Half Oval, Half Round & Pin Molding

4' and 8' lengths only. (Steel is in 80" lengths). Please note that all lengths of molding will ship UPS.

Half Oval Molding



Half Oval

<u>Height</u>	<u>Width</u>	<u>8 Foot Length</u>		<u>4 Foot Length</u>	
3/32"	3/8"	MOU020	\$38.00	MOU080	\$13.00
3/16"	1/2"	n/a			
1/8"	1/2"	MOU003	\$40.00	MOU081	\$20.00
3/16"	5/8"	MOU021	\$55.00	MOU082	\$22.00
3/16"	3/4"	MOU002	\$69.00	MOU083	\$24.00
1/4"	1"	MOU023	\$120.00	MOU085	\$41.00
5/16"	1-1/4"	MOU024	\$150.00	MOU086	\$80.00
5/16"	1-1/2"	MOU025	\$180.00	MOU087	\$90.00

Brass

Aluminum

Steel

<u>8 Foot length</u>	<u>80 Inch Length</u>
n/a	n/a
MOU040 \$39.00*	n/a
n/a	n/a
MOU029 \$37.00	n/a
MOU032 \$39.00	MOU036 \$33.00
MOU030 \$47.00	MOU037 \$37.00
n/a	MOU038 \$38.00
n/a	MOU039 \$53.00

*Slightly Flat on Top

Half Round Molding



Half Round

<u>Height</u>	<u>Width</u>	<u>8 Foot Length</u>		<u>4 Foot Length</u>	
5/32"	1/4"	MOU026	\$38.00	MOU088	\$16.00
7/32"	3/8"	MOU005	\$48.00	MOU089	\$21.00
9/32"	1/2"	MOU007	\$57.00	MOU090	\$22.00
5/16"	5/8"	MOU010	\$85.00	MOU091	\$25.00
3/8"	3/4"	MOU013	\$85.00	MOU092	\$40.00
7/16"	7/8"	n/a		n/a	
1/2"	1"	n/a		n/a	
39/64"	1-1/4"	n/a		n/a	

Steel

<u>80 Inch Length</u>
n/a
n/a
MOU009 \$ 25.00
MOU012 \$ 25.00
MOU015 \$ 25.00
MOU011 \$ 38.00
MOU016 \$ 47.00
MOU018 \$ 66.00

Pin Molding



Half Oval Pin Molding

Brass

Hollowed out and lead filled. The perfect trim piece. Bend to fit and then solder in the nails for a clean and fastener-less appearance. Ends can be shaped and formed cleanly for beautiful terminations.

<u>Width</u>	<u>Height</u>	<u>Part</u>	<u>8 Foot Length</u>
0.250"	0.115"	MOU060	\$130.00
0.375"	0.150"	MOU061	\$135.00
0.500"	0.187"	MOU067	\$150.00
0.500"	0.210"	MOU062	\$160.00

Oval Iron



Oval Iron

The correct oval shape for fender irons or top irons as well as many other areas.

<u>Height</u>	<u>Width</u>	<u>8 Foot Length</u>		<u>4 Foot Length</u>	
1/2"	1/4"	MOU014	\$30.00	MOU093	\$15.00
5/8"	3/8"	MOU017	\$50.00	MOU094	\$25.00

info@RestorationStuff.com

www.RestorationStuff.com - Order online anytime!

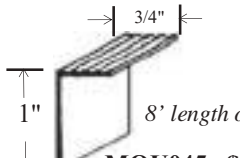
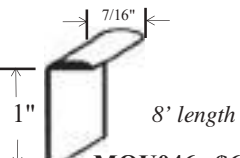
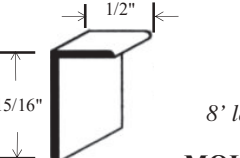
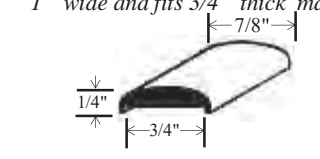

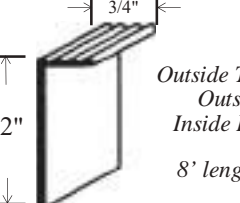
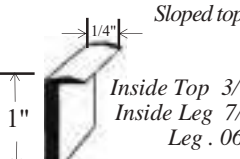
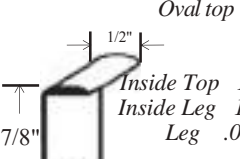
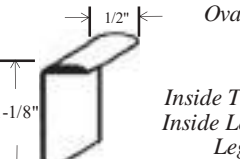
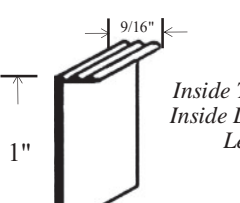
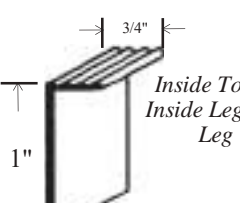
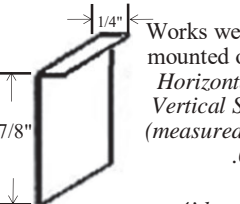
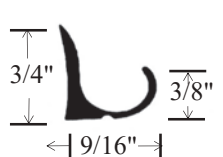
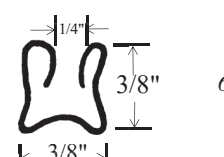
"The Right Stuff!"

- 28 -

Phone: 1-800-306-7008

Fax: 1-760-739-8843

Restoration Supply Company

<p>5 Ribbed Top Brass Running/Floor Board Trim <i>Inside Top 3/4" wide .088" thick Inside Leg 15/16" high .075" thick</i></p>  <p>1" 8' length only MOU045 \$70.00</p>	<p>Oval Top Brass Running/Floor Board Trim <i>Inside Top 3/8" wide .083" thick Inside Leg 15/16" high .075" thick</i></p>  <p>1" 8' length only MOU046 \$69.00</p>	<p>Flat Top Brass Running/Floor Board Trim <i>Inside Top 7/16" wide .062" thick Inside Leg 7/8" high .075" thick</i></p>  <p>15/16" 8' length only MOU048 \$69.00</p>
<p>Brass Oval Firewall Edge Trim <i>1" wide and fits 3/4" thick material.</i></p>  <p>1/4" 3/4" 8' length only MOU047 \$69.00</p>	<p>Aluminum "T" Molding <i>8' lengths only</i></p>  <p>5/8" Leg .040" Thick 1/2" Across T MOU095 \$44.00</p> <p>.040" Leg Offset .090" Thick 3/4" Across T MOU035 \$57.00</p>	<p>4 Ribbed Top Brass Trim</p>  <p>3/4" 2" Outside Top 11/16" Wide Outside Leg 2" High Inside Leg .070" Thick 8' length only Can be trimmed, polishes beautifully. MOU049 \$155.00</p>
<p>Aluminum Running / Floor Board Trim <i>Sloped top</i></p>  <p>1/4" 1" Inside Top 3/16" Wide Inside Leg 7/8" High Leg .062" Thick 8' length only MOU053 \$36.00</p>	<p>Aluminum Running / Floor Board Trim <i>Oval top</i></p>  <p>1/2" 7/8" Inside Top 1/2" Wide Inside Leg 13/16" High Leg .055" Thick 8' length only MOU054 \$45.00</p>	<p>Aluminum Running / Floor Board Trim <i>Oval top</i></p>  <p>1/2" 1-1/8" Inside Top 5/8" Wide Inside Leg 1" High Leg .087" Thick 8' length only MOU063 \$48.00</p>
<p>3 Rib Top Aluminum Running / Floor Board Trim</p>  <p>9/16" 1" Inside Top 1/2" Wide Inside Leg 7/8" High Leg .080" Thick 8' length only MOU065 \$46.00</p>	<p>4 Rib Top Aluminum Running / Floor Board Trim</p>  <p>3/4" 1" Inside Top 5/8" Wide Inside Leg 7/8" High Leg .080" Thick 8' length only MOU066 \$47.00</p>	<p>Floor Trim Molding</p>  <p>1/4" 7/8" Works well with 1/8 flooring mounted on 3/4" floor boards. Horizontal Leg. 1/4" Vertical Section 7/8" (measured under leg) .032" Thick. 4' lengths only Brass MOU050 \$20.00 German Silver MOU055 \$33.00 Stainless Steel MOU051 \$20.00 Aluminum MOU052 \$20.00</p>
<p>Drip Rail Molding <i>Aluminum</i></p>  <p>3/4" 3/8" 12' length only 9/16" Can be cut to your specifications for your shipping. Remember, anything over 8' must go truck freight. MOU043 \$75.00</p>		<p>Windshield Setting Channel <i>Brass</i></p>  <p>1/4" 3/8" 6' length only 3/8" Fits over 1/4" safety glass. Will fit into 3/8" channel. MOU096 \$125.00</p>

Molding

Restoration Supply Company

Tubing



Vacuum Tubing

Stainless Steel

This is the correct way to run a vacuum line from behind the dash and up the windshield post to the vacuum wiper motor. 304 stainless tube bends easily and can be polished to look like nickel or chrome.

<u>O.D.</u>	<u>I.D.</u>	<u>Wall</u>	<u>3' Lengths Only</u>	
1/8"	.055	.035	TUB009	\$14.00
1/8"	.081	.020	TUB007	\$21.00
3/16"	.117	.035	TUB008	\$21.00



Tubing

Rigid Brass

Bends easily with any standard bender.

<u>O.D.</u>	<u>Wall</u>	<u>4 Foot Length</u>	<u>8 Foot Length</u>	<u>O.D.</u>	<u>Wall</u>	<u>4 Foot Length</u>	<u>8 Foot Length</u>
1/8"	0.020"		TUB004 \$ 25.00*	9/16"	0.065	TUB037 \$26.00	TUB018 \$52.00
3/16"	0.032"	TUB031 \$ 12.00	TUB003 \$ 25.00	5/8"	0.065	TUB038 \$33.00	TUB015 \$66.00
1/4"	0.040"	TUB032 \$ 15.00	TUB002 \$ 30.00	3/4"	0.035	TUB039 \$35.00	TUB016 \$70.00
5/16"	0.031"	TUB033 \$ 15.00	TUB006 \$ 30.00	3/4"	0.065	TUB040 \$45.00	TUB020 \$89.00
3/8"	0.062"	TUB034 \$ 20.00	TUB001 \$ 40.00	7/8"	0.065	TUB041 \$52.00	TUB022 \$105.00
7/16"	0.065"	TUB035 \$ 26.00	TUB021 \$ 50.00	1"	0.065	TUB042 \$57.00	TUB023 \$114.00
1/2"	0.065"	TUB036 \$ 32.00	TUB019 \$ 60.00				

*6 ft. length only

Rod Stock



Rod Stock

Priced by the foot; diameters above 1/2" can be sold by the inch.

Brass Round

<u>Size</u>	<u>Part</u>	<u>Price</u>	<u>Size</u>	<u>Part</u>	<u>Price</u>
1/4"	ROD029	\$7.00	1"	ROD005	\$50.00
5/16"	ROD047	\$7.00	1-1/4"	ROD006	\$45.00
3/8"	ROD020	\$7.00	1-3/8"	ROD007	\$40.00
7/16"	ROD069	\$12.00	1-1/2"	ROD008	\$60.00
1/2"	ROD001	\$15.00	2"	ROD010	\$185.00
9/16"	ROD070	\$15.00			
5/8"	ROD002	\$18.00			
3/4"	ROD003	\$13.00			
7/8"	ROD004	\$27.00			

German Silver Round

<u>Size</u>	<u>Part</u>	<u>Price</u>
3/16"	ROD054	\$13.00
1/4"	ROD021	\$14.00
5/16"	ROD049	\$24.00
3/8"	ROD022	\$36.00
1/2"	ROD023	\$36.00
5/8"	ROD024	\$55.00
3/4"	ROD025	\$100.00
1"	ROD026	\$105.00

303 Stainless Round

<u>Size</u>	<u>Part</u>	<u>Price</u>
3/16"	ROD031	\$6.00
1/4"	ROD066	\$6.00
5/16"	ROD032	\$9.00
3/8"	ROD033	\$9.00
7/16"	ROD051	\$10.00
1/2"	ROD034	\$18.00
9/16"	ROD052	\$19.00
5/8"	ROD053	\$26.00
3/4"	ROD028	\$28.00
7/8"	ROD035	\$30.00
1-1/16"	ROD036	\$36.00
1-1/4"	ROD037	\$42.00

Hex Stock



Brass Hex

<u>Size</u>	<u>Part</u>	<u>Per Foot</u>
1/4"	ROD014	\$6.00
5/16"	ROD015	\$7.00
3/8"	ROD030	\$8.00
7/16"	ROD046	\$12.00
1/2"	ROD016	\$15.00

303 Stainless Hex

<u>Size</u>	<u>Part</u>	<u>Per Foot</u>	<u>Size</u>	<u>Part</u>	<u>Per Foot</u>
9/16"	ROD068	\$18.00	1/4"	ROD038	\$6.00
5/8"	ROD017	\$18.00	5/16"	ROD039	\$7.00
3/4"	ROD018	\$45.00	3/8"	ROD040	\$9.00
1"	ROD019	\$60.00	7/16"	ROD041	\$11.00
			1/2"	ROD042	\$13.00
			9/16"	ROD048	\$22.00
			5/8"	ROD043	\$25.00
			3/4"	ROD044	\$32.00
			7/8"	ROD067	\$30.00
			1"	ROD045	\$33.00

Flat Bar



Brass Flat

360 Alloy

Free machining brass flat bar. Bars are 1" or 2" wide. Sold by the linear inch.

<u>Thickness</u>	<u>1" wide</u>		<u>2" wide</u>	
	<u>Part</u>	<u>Per Inch</u>	<u>Part</u>	<u>Per Inch</u>
1/16"	ROD100	\$1.00		
1/8"	ROD101	\$1.00	ROD111	\$2.00
3/16"	ROD102	\$1.50	ROD112	\$2.00
1/4"	ROD103	\$1.50	ROD113	\$4.00

Brass Sheet



Brass Sheet

260 Alloy

Half hard brass sheet. Let us know what dimensions you need.

<u>Thickness</u>	<u>Part</u>	<u>Per Square Inch</u>
0.031"	SHE011	\$0.50
0.050"	SHE008	\$0.50
0.062"	SHE009	\$0.70

info@RestorationStuff.com

www.RestorationStuff.com - Order online anytime!

"The Right Stuff!"

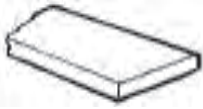
- 30 -

Phone: 1-800-306-7008

Fax: 1-760-739-8843

Restoration Supply Company

German Silver Sheet



Works like brass and polishes to a beautiful nickel appearance.

<u>Thickness</u>	<u>Part</u>	<u>Per Square Inch</u>	<u>Thickness</u>	<u>Part</u>	<u>Per Square Inch</u>
.015"	SHE010	\$0.50	.040"	SHE007	\$0.90
.025"	SHE005	\$0.50	.050"	SHE003	\$1.50
.032"	SHE002	\$0.90	.064"	SHE006	\$1.00

German Silver Sheet & Wire

German Silver Wire



This has the right Nickel appearance, it's very useful in applications where Nickel and German Silver are used.

<u>Diameter</u>	<u>Part</u>	<u>Per Foot</u>
.064"	WIR001	\$3.00
.080"	WIR002	\$4.00
.101"	WIR003	\$6.00
.128"	WIR004	\$6.00

Delrin Rod



Machines easily and resists moisture, gasoline, and solvents. It has natural lubricity and polishes easily. It's a good replacement for original Bakelite and hard rubber parts.

Sold by the foot through 1" diameter, by the inch on larger sizes.

<u>Diameter</u>	<u>Part</u>	<u>Per Foot</u>	<u>Diameter</u>	<u>Part</u>	<u>Per Inch</u>
1/4"	PLA028	\$3.00	1-1/4"	PLA010	\$1.33
3/8"	PLA025	\$3.00	1-1/2"	PLA011	\$1.83
1/2"	PLA001	\$4.00	2"	PLA012	\$3.17
5/8"	PLA002	\$6.00	2-1/2"	PLA013	\$4.50
3/4"	PLA003	\$10.00	3"	PLA014	\$6.25
7/8"	PLA004	\$10.00	3-1/2"	PLA027	\$10.42
1"	PLA005	\$12.00	4"	PLA026	\$11.75

Delrin Rod

Rubber Rod



Black Buna-N rubber rod. Perfect for hard stops and bumpers. Durometer 75A. 1200 psi Tensile Strength.

<u>Diameter</u>	<u>Part</u>	<u>Price per Inch</u>	<u>Diameter</u>	<u>Part</u>	<u>Per Inch</u>
3/4"	RUB007	\$2.00	1-3/4"	RUB066	\$5.00
1"	RUB004	\$2.00	2"	RUB006	\$5.00
1-1/4"	RUB065	\$3.00	2-1/4"	RUB067	\$9.00
1-1/2"	RUB005	\$5.00	2-1/2"	RUB068	\$9.00

Rubber Rod

Neoprene Rubber Sheet



This is ideal when you require a smooth, black surface. Made from commercial strength neoprene rubber, it maintains its resiliency even after extended compression. It has good weather ability, good resistance to abrasion and good resistance to most alkalis and acid, with moderate resistance to oils. 1/8" thick.

Black 36" wide RUB031 \$45.00 Linear Foot

Neoprene Sheet

Restoration Supply Company

Flooring

Battleship Linoleum Floor Covering



Used for running boards and floorboards.
Sold in 78" widths, priced by the square foot.
Burlap backed. 1/8" thick.
Also available in pieces 13" x 96" for
running boards.

Please allow for slight shrinkage.

	<u>Per Square Foot @ 78" wide</u>	<u>Per 13" x 96" Strip</u>
Black	RUB060 \$11.00/sq ft.	RUB102 \$94.60
Grey	RUB061 \$12.00/sq ft.	RUB103 \$103.20
Red Brick	RUB063 \$12.00/sq ft.	RUB104 \$103.20
Med. Green-Gray	RUB069 \$11.00/sq ft.	RUB105 \$94.60
Leather	RUB072 \$11.00/sq ft.	RUB107 \$94.60
Orig. Brown	RUB073 \$11.00/sq ft.	RUB108 \$94.60

Linoleum Glue



Water based adhesive.
Apply with a 1/16" square notch trowel.
Spread rate: approx. 15 sq.ft./pint.

1 Pint ADH046 \$21.00

Linoleum Cleaner and Conditioner

Cleans, seals and protects.



	<u>Part</u>	<u>Each</u>
Cleaner 1 Quart	PRO025	\$28.00
Conditioner 1 Quart	PRO026	\$33.00

Cork Flooring Mat



Compounded of cork and urethane rubber. Can be used on running boards,
floor boards, and trunk linings. 1/8" thick. Sticky back.
*We recommend you seal it with Smiths Epoxy on page 61 to prevent oil from
soaking in.*

36" Wide COR002 \$42.00 Linear Foot

International Harvester Corporation Circle Rubber Mat



Reproduced to look just like the original.
The correct material for high wheeler running boards and floor mats.
3/16" thick.

Black 35" x 28" RUB033 \$175.00 Piece

Flat Top Ribbed Mat - Rubber



Ribs run lengthwise. Square on top.
Ribs are 1/4" across and spaced 1/4" apart.
Thickness at the ribs is 3/16" and they stand up 1/16".

Black 36" wide RUB035 \$22.00 Linear Foot

V Ribbed Mat - Vinyl



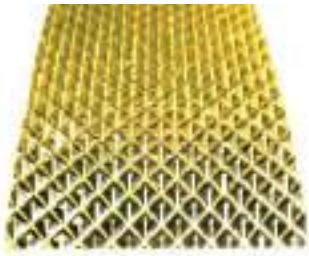
The ribs form a sharp "V" on the top and run lengthwise.
9 ribs per inch. 1/8" thick.

Black 36" wide RUB022 \$18.00 Linear Foot

Black 48" wide RUB048 \$23.00 Linear Foot

Restoration Supply Company

Pyramid Vinyl



Rows are diagonal from the side.
1/8" thick with pyramids 45 degrees to the edge.
Pyramid base size 5/32".

Black 36" wide **RUB023 \$26.00 Linear Foot**
Black 48" wide **RUB032 \$29.00 Linear Foot**
White 48" wide **RUB038 \$29.00 Linear Foot**

Pyramid Rubber



Pyramids run parallel to the edge, 6 pyramids per inch, and
5/32" thick. Base size of each pyramid is 5/32".

Black 36" wide **RUB009 \$25.00 Linear Foot**

Pyramid Aluminum



Used on Pierce-Arrows and other vehicles, fire trucks,
and vintage aircraft. There are 7 pyramids per inch.
The aluminum is .025 thick; overall thickness of a stamped sheet is .065.
Base of the pyramid is .135.
Available in 16"x 80" sheets only.

ALU001 \$375.00 Sheet

Wide Ribbed Rubber



Deluxe ribbed mat that makes excellent running board material.
The flat ribs measure 1/4", on either side there are six small
ribs totaling 5/32". 1/8" thick ribs run lengthwise.

Black 36" wide **RUB015 \$18.00 Linear Foot**
Black 48" wide **RUB020 \$20.00 Linear Foot**

*For Contact Cement
See page 60*

Corrugated Mat - Vinyl



Ribs run lengthwise and are rounded on the top.
Valleys are 1/8" wide; rib and valley widths are 1/8".

Gray 36" wide **RUB029 \$20.00 Linear Foot**
White 36" wide **RUB030 \$34.00 Linear Foot**
Black 36" wide **RUB010 \$18.00 Linear Foot**
Black 48" wide **RUB036 \$22.00 Linear Foot**

Floor Coverings

Restoration Supply Company

PVC Matting



PVC Matting

Black, semi-gloss matting. Good for flooring.
1/8" thick. 36" wide.

RUB097 \$21.00 Linear Foot

Top Material



Top Material

Vinyl that imitates British Everflex .
Often referred to as "crush grain" or "leather grain" vinyl.
54" wide.

MAT008 \$17.00 Linear Foot

Coco Mat



Coco Mat

Extremely durable and gives a correct period look.
The fibers are mounted in a vinyl backing which
prevents raveling and shedding when cut.
It makes excellent trunk and rear floor board matting.
Available in natural (tan) only; 1/2" thick.

MAT001 \$18.00 Square Foot

Insulation



Insulation

A jute material with reflective foil bonded on both sides.
Excellent for use under carpeting, door and side panels, transmission
tunnels, firewalls, floor pans, etc.
Rated R-18.3, 40/700 degrees F, it's also a good noise suppressor.
5/16" thick; 48" wide x 72" long.
Sold by the roll only.

MAT007 \$40.00

Wire Mesh

Wire Cloth / Screen

Better known as wire screen. It serves as a fuel, oil,
and air filter, as well as a bug screen for air vents and
horns. Brass or Stainless available in a variety of mesh
counts. (**Mesh size = # of openings per inch**). Use 50
mesh for bug screens, and 100 mesh for fuel filters .

Sold by the square foot.



<u>Mesh</u>	<u>Brass</u>	<u>Mesh</u>	<u>Stainless Steel</u>
6	CLO065 \$20.00	3	CLO061 \$24.00
18	CLO026 \$23.00	4	CLO060 \$17.00
20	CLO038 \$30.00	8	CLO037 \$15.00
24	CLO039 \$30.00	12	CLO059 \$12.00
30	CLO040 \$13.00	18	CLO035 \$9.00
50	CLO001 \$12.00	30	CLO025 \$9.00
80	CLO036 \$12.00	50	CLO024 \$9.00
100	CLO034 \$14.00		

info@RestorationStuff.com

www.RestorationStuff.com - Order online anytime!

"The Right Stuff!"







- 34 -

Phone: 1-800-306-7008

Fax: 1-760-739-8843

Restoration Supply Company

Nails & Tacks

						
Description	Steel, Tapered Head with Spiked Shank	Hardened Steel with Annular Shank	Steel with Screw Shank	Zinc-plated with Screw Shank	Steel with Domed Head and Smooth Shank	304 Stainless Steel with Annular Ring Shank
Finish	Natural	Black	Black	Zinc	Black	Natural
Body Dia	.085	.065	.080	.080	.080	.072 15 Gauge
Head Dia	.175	.125	.160	.187	.190	.180
Head Type	Tapered	Flat	Flat	Flat	Domed	Flat
Length	7/8" FAS031 \$5.00 1" FAS024 \$5.00 1.25" FAS025 \$6.00 (pkg of 100)	1" FAS026 \$8.00 (pkg of 400)	1" FAS041 \$4.00 (pkg of 100)	1/2" FAS022 \$12.00 (pkg of 100)	3/4" FAS042 \$3.00 (pkg of 100)	1" FAS045 \$6.00 (pkg of 100)

Nails & Tacks

Blue Steel Tacks



A nice flat, smooth head.
Used for securing all kinds of fabric.

Size	Length	Part	Price per 1/2 Pound
#2	1/4"	FAS220	\$20.00
#3	3/8"	FAS221	\$9.00
#6	1/2"	FAS222	\$9.00
#10	5/8"	FAS223	\$8.00
#14	3/4"	FAS224	\$8.00

Escutcheon Pins



Great for wood, thin sheet metal and upholstery trimming. Oval head.

Brass				
Gauge	Length	Head Dia.	Part	Pack of 50
18	3/4"	.098"	FAS230	\$3.00
16	3/4"	.136"	FAS232	\$4.00
14	3/4"	.172"	FAS234	\$7.00

Stainless Steel				
Gauge	Length	Head Dia.	Part	Pack of 50
18	3/4"	.098"	FAS231	\$8.00
16	3/4"	.136"	FAS233	\$10.00
14	3/4"	.172"	FAS235	\$14.00

Big Headed Upholstery Tacks



Used for tops, panels and upholstery.
Length is 1/2" and the head is 7/16" in diameter.
Glossy black finish.

Sold in packages of 50. 7/16" FAS236 \$7.00

Order online anytime!



<https://restorationstuff.com/ecommerce>

Restoration Supply Company

Slot Head Screws



**Machine Screws
Oval Head**

Oval - Stainless				Oval - Brass						
Size	Length	Part	Each	Size	Length	Part	Each			
4-40	1/2"	NUT055	\$0.15	6-32	1/2"	NUT407*	\$0.10			
	5/8"	NUT379	\$0.10		5/8"	NUT096*	\$0.10			
	3/4"	NUT059	\$0.10		3/4"	NUT408*	\$0.10			
6-32	1"	NUT092	\$0.10	8-32	1"	NUT348*	\$0.20			
	1/2"	NUT056	\$0.10		1-1/4"	NUT409*	\$0.30			
	5/8"	NUT380	\$0.20		1/2"	NUT140*	\$0.10			
8-32	3/4"	NUT057	\$0.10	10-24	5/8"	NUT410*	\$0.30			
	1"	NUT097	\$0.10		3/4"	NUT411*	\$0.10			
	1-1/4"	NUT381	\$0.20		1"	NUT347*	\$0.15			
	1-1/2"	NUT058	\$0.10	10-32	1-1/4"	NUT141*	\$0.50			
	3/8"	NUT139	\$0.15		1-1/2"	NUT362	\$0.20			
	1/2"	NUT138	\$0.10		1/2"	NUT415*	\$0.15			
	10-24	5/8"	NUT382	\$0.10	1-4-20	5/8"	NUT416*	\$0.15		
		3/4"	NUT383	\$0.15		3/4"	NUT417*	\$0.15		
		1"	NUT060	\$0.15		1"	NUT418*	\$0.60		
		1-1/4"	NUT384	\$0.20	10-32	1-1/4"	NUT419	\$0.20		
		1-1/2"	NUT061	\$0.25		1-1/2"	NUT069	\$0.25		
		1-3/4"	NUT385	\$0.25		2"	NUT509	\$0.40		
10-32		2"	NUT386	\$0.30	10-32	1/2"	NUT412*	\$0.15		
		2-1/2"	NUT406	\$0.25		5/8"	NUT499	\$0.15		
		1/2"	NUT392	\$0.15		3/4"	NUT413*	\$0.40		
		10-32	5/8"	NUT393	\$0.10	10-32	1"	NUT349*	\$0.25	
			3/4"	NUT394	\$0.30		1-1/4"	NUT414*	\$0.40	
			1"	NUT062	\$0.30		1-1/2"	NUT363	\$0.15	
	10-32		1-1/4"	NUT395	\$0.15	10-32	1"	NUT510*	\$0.40	
			1-1/2"	NUT063	\$0.15		1-1/2"	NUT512*	\$0.50	
			2"	NUT508	\$0.25		1-3/4"	NUT513*	\$0.30	
			10-32	1/4"	NUT834	\$0.30	10-32	2"	NUT068*	\$0.60
				1/2"	NUT224	\$0.10		2-1/2"	NUT514	\$0.60
				3/4"	NUT387	\$0.10				
10-32				1"	NUT064	\$0.50				
				1-1/4"	NUT388	\$0.50				
				1-1/2"	NUT389	\$0.40				
		10-32		1-3/4"	NUT390	\$0.25				
				2"	NUT065	\$0.15				
				2-1/2"	NUT391	\$0.70				
	10-32			3/4"	NUT396	\$0.25				
				1"	NUT397	\$1.00				
				1-1/4"	NUT398	\$0.25				
			10-32	1-1/2"	NUT399	\$0.30				
				2"	NUT501	\$0.40				
				1/2"	NUT502	\$0.15				
10-32				5/8"	NUT503	\$0.60				
				3/4"	NUT504	\$0.20				
				1"	NUT066	\$0.25				
		10-32		1-1/4"	NUT400	\$0.25				
				1-1/2"	NUT401	\$0.70				
				1-3/4"	NUT402	\$0.30				
	10-32			2"	NUT403	\$0.80				
				2-1/2"	NUT404	\$0.50				
				5/16-18	3/4"	NUT255	\$1.00			
			10-32	1"	NUT256	\$1.00				
				3/4"	NUT225	\$0.50				
				2"	NUT226	\$2.00				

Oval Head Screws have a slightly rounded top and are used in countersunk holes. The under side of the head has an angled bearing surface. When used with Finish Washers (page 44), they provide a more decorative appearance to any project.

*** Assorted Kit of Brass Oval Head Machine Screws**

An assortment of 18 common sizes (#6 to #1/4-20) indicated by an "*" above. We pack 25 per size in a convenient compartment box with a snap lid.

KIT002 \$78.50



**Machine Screws
Round Head**

Round - Stainless				Round - Brass			
Size	Length	Part	Each	Size	Length	Part	Each
2-56	3/16"	NUT266	\$0.20	4-40	1/2"	NUT457	\$0.10
4-40	1/2"	NUT420	\$0.10		5/8"	NUT458	\$0.10
	5/8"	NUT421	\$0.10		3/4"	NUT459	\$0.10
	3/4"	NUT422	\$0.10	1"	NUT460	\$0.10	
6-32	1"	NUT423	\$0.10	6-32	1-1/4"	NUT461	\$0.10
	1-1/4"	NUT424	\$0.10		1/2"	NUT462	\$0.10
	1/2"	NUT177	\$0.10		5/8"	NUT463	\$0.10
8-32	5/8"	NUT425	\$0.10	8-32	3/4"	NUT464	\$0.10
	3/4"	NUT426	\$0.10		1"	NUT367	\$0.10
	1"	NUT178	\$0.20		1-1/4"	NUT466	\$0.10
8-32	1-1/4"	NUT427	\$0.20	8-32	1-1/2"	NUT467	\$0.10
	1-1/2"	NUT428	\$0.10		1/2"	NUT072	\$0.10
	3"	NUT835	\$0.50		5/8"	NUT469	\$0.10
8-32	1/2"	NUT179	\$0.15	8-32	3/4"	NUT470	\$0.10
	5/8"	NUT429	\$0.15		1"	NUT368	\$0.10
	3/4"	NUT430	\$0.10		1-1/4"	NUT472	\$0.15
8-32	1"	NUT180	\$0.20	8-32	1-1/2"	NUT473	\$0.15
	1-1/4"	NUT431	\$0.20		1-3/4"	NUT474	\$0.25
	1-1/2"	NUT181	\$0.10		2"	NUT518	\$0.15
8-32	1-3/4"	NUT432	\$0.10	8-32	1/2"	NUT482	\$0.10
	2"	NUT515	\$0.30		5/8"	NUT483	\$0.10
	1/2"	NUT438	\$0.20		3/4"	NUT484	\$0.20
8-32	5/8"	NUT439	\$0.20	8-32	1"	NUT370	\$0.10
	3/4"	NUT440	\$0.20		1-1/4"	NUT485	\$0.10
	1"	NUT441	\$0.10		1-1/2"	NUT486	\$0.20
8-32	1-1/4"	NUT248	\$0.10	8-32	1-3/4"	NUT487	\$0.20
	1-1/2"	NUT442	\$0.15		2"	NUT488	\$0.10
	1-3/4"	NUT444	\$0.10		1/2"	NUT475	\$0.10
8-32	2"	NUT516	\$0.10	8-32	5/8"	NUT505	\$0.10
	1/2"	NUT182	\$0.30		3/4"	NUT476	\$0.10
	3/4"	NUT433	\$0.20		1"	NUT369	\$0.20
8-32	1"	NUT183	\$0.30	8-32	1-1/4"	NUT477	\$0.15
	1-1/4"	NUT434	\$0.30		1-1/2"	NUT478	\$0.15
	1-1/2"	NUT184	\$0.15		1-3/4"	NUT479	\$0.10
8-32	1-3/4"	NUT435	\$0.15	8-32	2"	NUT480	\$0.20
	2"	NUT436	\$0.15		2-1/2"	NUT481	\$0.40
	2-1/2"	NUT437	\$0.50		3/4"	NUT489	\$0.60
8-32	1/2"	NUT506	\$0.10	8-32	1"	NUT246	\$0.40
	5/8"	NUT507	\$0.20		1-1/4"	NUT490	\$0.25
	3/4"	NUT445	\$0.30		1-1/2"	NUT491	\$0.60
8-32	1"	NUT254	\$0.20	8-32	1"	NUT351	\$0.60
	1-1/4"	NUT446	\$0.20		1-1/4"	NUT493	\$0.40
	1-1/2"	NUT447	\$0.60		1-1/2"	NUT494	\$0.60
8-32	1-3/4"	NUT448	\$0.30	8-32	1-3/4"	NUT495	\$0.30
	1/2"	NUT870	\$0.30		2"	NUT496	\$0.50
	1"	NUT449	\$0.60		2-1/2"	NUT497	\$0.50
8-32	1-1/4"	NUT450	\$0.20	8-32	1"	NUT875	\$2.00
	1-1/2"	NUT451	\$0.30		1-1/2"	NUT891	\$2.00
	1-3/4"	NUT452	\$0.45		2"	NUT892	\$3.00
8-32	2"	NUT517	\$0.75	8-32	3"	NUT893	\$5.00
	2-1/2"	NUT454	\$1.00		1/2"	NUT889	\$3.00
	5/16-18	1"	NUT821		\$0.25	1-1/2"	NUT890
5/16-24	1-1/2"	NUT754	\$2.00	5/16-24	1"	NUT455	\$0.70
	1"	NUT455	\$0.70		1-1/2"	NUT456	\$2.00
	1-1/2"	NUT456	\$2.00		1-1/2"	NUT755	\$2.00

Round Head Screws have a thicker rounded top. The underside of the head has a flat bearing surface.

Restoration Supply Company



**Machine Screws
Flat Head**

Flat - Stainless

Size Length Part Each

4-40	1/2"	NUT700	\$0.10
	5/8"	NUT701	\$0.10
	3/4"	NUT702	\$0.10
	1"	NUT703	\$0.10
6-32	1/2"	NUT705	\$0.10
	3/4"	NUT707	\$0.10
	1"	NUT708	\$0.10
	1-1/2"	NUT710	\$0.10
8-32	1/2"	NUT711	\$0.40
	3/4"	NUT713	\$0.10
	1"	NUT714	\$0.10
	1-1/2"	NUT715	\$0.10
10-24	3/4"	NUT720	\$0.10
	1"	NUT721	\$0.25
	1-1/2"	NUT722	\$0.20
	2"	NUT723	\$0.20
10-32	1/2"	NUT716	\$0.30
	1"	NUT717	\$0.60
	1-1/2"	NUT718	\$0.20
	2"	NUT719	\$0.15
12-24	3/4"	NUT747	\$0.20
	1"	NUT724	\$0.60
	1-1/4"	NUT748	\$0.30
	1-1/2"	NUT725	\$0.20
1/4-20	1"	NUT726	\$0.25
	1-1/2"	NUT727	\$0.75
	2"	NUT728	\$0.30
1/4-28	1"	NUT817	\$1.00
5/16-18	2-1/2"	NUT730	\$2.00
5/16-24	1"	NUT729	\$0.60



Flat - Brass

Size Length Part Each

4-40	1/2"	NUT731	\$0.10
	1"	NUT732	\$0.10
6-32	1/2"	NUT733	\$0.10
	1"	NUT734	\$0.10
	1-1/4"	NUT709	\$0.15
8-32	3/4"	NUT735	\$0.10
	1"	NUT843	\$0.30
	1-1/2"	NUT736	\$0.20
	2"	NUT737	\$0.50
10-24	1"	NUT740	\$0.20
	2"	NUT741	\$0.40
10-32	1"	NUT738	\$0.20
	2"	NUT739	\$0.40
12-24	1"	NUT769	\$0.85
	1-1/2"	NUT742	\$0.40
1/4-20	1"	NUT749	\$0.75
	1-1/2"	NUT743	\$0.40
	2"	NUT744	\$0.55
5/16-18	1"	NUT624	\$0.90
	1-1/2"	NUT606	\$2.00



**Sheet Metal & Wood Screws
Oval Head**

Oval - Sheet Metal Stainless

Size Length Part Each

#4	1/2"	NUT202	\$0.35
	5/8"	NUT203	\$0.35
	3/4"	NUT098	\$0.10
	1"	NUT093	\$0.10
#6	1/2"	NUT132	\$0.10
	5/8"	NUT519	\$0.10
	3/4"	NUT112	\$0.10
	1"	NUT094	\$0.20
#8	1-1/4"	NUT204	\$0.10
	1-1/2"	NUT113	\$0.30
	1/2"	NUT133	\$0.20
	5/8"	NUT520	\$0.10
#10	3/4"	NUT114	\$0.10
	1"	NUT095	\$0.15
	1-1/4"	NUT205	\$0.15
	1-1/2"	NUT116	\$0.10
#12	1-3/4"	NUT051	\$0.10
	2"	NUT050	\$0.15
	2-1/2"	NUT342	\$0.10
	1/2"	NUT521	\$0.25
#14	3/4"	NUT117	\$0.10
	1"	NUT118	\$0.10
	1-1/4"	NUT206	\$0.10
	1-1/2"	NUT119	\$0.15
#12	1-3/4"	NUT522	\$0.20
	2"	NUT120	\$0.20
	2-1/2"	NUT343	\$0.30
	3/4"	NUT523	\$1.00
#14	1"	NUT134	\$0.20
	1-1/4"	NUT247	\$0.40
	1-1/2"	NUT135	\$0.40
	1-3/4"	NUT524	\$0.40
#12	2"	NUT525	\$0.25
	7/8"	NUT136	\$0.25
	1"	NUT526	\$0.30
	1-1/4"	NUT137	\$0.70
#14	1-1/2"	NUT340	\$0.50
	2"	NUT529	\$0.60
	2-1/2"	NUT530	\$0.60

Oval Head Screws have a slightly rounded top, used in countersunk holes. The underside of the head has an angled bearing surface. When used with Finish Washers (pg. 44), they provide a more decorative appearance to any project.

* Assorted Kit of Brass Oval Head Wood Screws

Assortment of 18 common sizes (#5 to #10) indicated by an "*" above. We pack 25 per size in a convenient compartment box with a snap lid.

KIT003 \$78.50



**Sheet Metal Screws
Round Head**

Round - Sheet Metal Stainless[†]

Size Length Part Each

#4	1/2"	NUT648	\$0.40
	5/8"	NUT649	\$0.20
	3/4"	NUT650	\$0.15
	1"	NUT824	\$0.10
#6	3/4"	NUT655	\$0.30
	1"	NUT656	\$0.10
	1-1/2"	NUT822	\$0.15
#8	3/4"	NUT657	\$0.20
	1"	NUT658	\$0.40
	1-1/4"	NUT823	\$0.25
#10	1-1/2"	NUT659	\$0.10
	3/4"	NUT660	\$0.25
	1"	NUT661	\$0.50
#12	1-1/2"	NUT662	\$0.10
	1"	NUT663	\$0.50
#14	1-1/2"	NUT664	\$0.30
	2"	NUT665	\$0.20
	1"	NUT667	\$0.50
	1-1/2"	NUT668	\$0.50



**Wood Screws
Round Head**

Round - Wood, Brass

Size Length Part Each

#4	1/2"	NUT620	\$0.10
	5/8"	NUT621	\$0.10
	3/4"	NUT622	\$0.10
	1"	NUT623	\$0.10
#5	5/8"	NUT625	\$0.10
	3/4"	NUT626	\$0.10
	1"	NUT627	\$0.10
#6	1/2"	NUT630	\$0.20
	3/4"	NUT631	\$0.15
	1"	NUT632	\$0.10
#8	1-1/4"	NUT633	\$0.10
	1-1/2"	NUT634	\$0.30
	3/4"	NUT635	\$0.30
#10	1"	NUT636	\$0.30
	1-1/4"	NUT637	\$0.25
	1-1/2"	NUT638	\$0.30
#12	3/4"	NUT639	\$0.30
	1"	NUT640	\$0.15
	1-1/2"	NUT641	\$0.25
#14	1"	NUT642	\$0.20
	1-1/2"	NUT643	\$0.50
	2"	NUT644	\$0.50
#14	1"	NUT645	\$0.20
	1-1/2"	NUT646	\$0.90
	2"	NUT647	\$0.60

Round Head Screws have a thicker rounded top. The underside of the head has a flat bearing surface.

Slot Head Screws

Restoration Supply Company

Slot Head Screws, Threaded Rivets & Square Head Screws

Sheet Metal Screws Flat Head

Flat - Sheet Metal Stainless			
Size	Length	Part	Each
#4	1/2"	NUT670	\$0.15
	5/8"	NUT671	\$0.15
	3/4"	NUT672	\$0.20
#6	1/2"	NUT675	\$0.20
	3/4"	NUT676	\$0.15
	1"	NUT677	\$0.10
#8	1/2"	NUT692	\$0.20
	3/4"	NUT678	\$0.15
	1"	NUT679	\$0.20
	1-1/4"	NUT680	\$0.15
#10	1-1/2"	NUT681	\$0.50
	3/4"	NUT682	\$0.40
	1"	NUT683	\$0.50
	1-1/4"	NUT690	\$0.25
#12	1-1/2"	NUT684	\$0.65
	1"	NUT685	\$0.30
	1-1/4"	NUT691	\$0.20
#14	1-1/2"	NUT686	\$0.60
	2"	NUT687	\$0.80
	1"	NUT688	\$0.70
	1-1/2"	NUT689	\$0.80

Wood Screws Flat Head

Flat - Wood, Brass			
Size	Length	Part	Each
#4	1/2"	NUT550	\$0.10
	5/8"	NUT551	\$0.10
	3/4"	NUT552	\$0.10
	1"	NUT553	\$0.10
	1-1/4"	NUT554	\$0.10
#5	1-1/2"	NUT555	\$0.10
	1/2"	NUT560	\$0.10
	5/8"	NUT561	\$0.10
	3/4"	NUT562	\$0.10
	1"	NUT563	\$0.10
#6	1-1/4"	NUT564	\$0.10
	1-1/2"	NUT565	\$0.15
	1/2"	NUT570	\$0.10
	5/8"	NUT532	\$0.10
#8	3/4"	NUT527	\$0.15
	1"	NUT528	\$0.10
	1-1/4"	NUT571	\$0.20
	1-1/2"	NUT572	\$0.10
#10	3/4"	NUT576	\$0.15
	1"	NUT577	\$0.10
	1-1/4"	NUT578	\$0.20
#12	1-1/2"	NUT579	\$0.20
	3/4"	NUT580	\$0.20
	1"	NUT581	\$0.20
#14	1-1/2"	NUT582	\$0.70
	1"	NUT583	\$0.25
	1-1/2"	NUT584	\$0.40
	2"	NUT585	\$0.60
	1"	NUT586	\$0.60
	1-1/2"	NUT587	\$0.90
	2"	NUT588	\$0.90

Threaded Rivets



Unslotted machine screws are the perfect substitute for hard-to-use rivets because they look like a rivet on top but are held securely in place by a standard nut.

These are the rivet head styles we stock:



Round



Truss

Hex Nuts sold on page 42.

Stainless Steel Threaded Rivets

Size	Length	Head	Body Dia.	Head Dia.	Part	Each
3-48	3/8"	Round	0.0099"	0.187"	NUT608	\$0.55
	3/8"	Round	0.111"	0.204"	NUT268	\$0.65
4-40	5/8"	Round	0.111"	0.204"	NUT269	\$0.65
	3/4"	Round	0.111"	0.204"	NUT149	\$0.65
	3/4"	Truss	0.111"	0.251"	NUT250	\$0.65
6-32	1/2"	Truss	0.130"	0.312"	NUT075	\$0.75
	5/8"	Round	0.130"	0.245"	NUT267	\$0.75
	5/8"	Truss	0.130"	0.312"	NUT251	\$0.75
8-32	3/4"	Truss	0.130"	0.312"	NUT158	\$0.75
	5/8"	Round	0.158"	0.290"	NUT080	\$0.85
	5/8"	Truss	0.158"	0.378"	NUT076	\$0.85
	3/4"	Round	0.158"	0.290"	NUT109	\$0.85
10-32	3/4"	Truss	0.158"	0.378"	NUT160	\$0.85
	1"	Round	0.158"	0.290"	NUT164	\$0.85
	1-1/2"	Round	0.158"	0.290"	NUT162	\$0.85
	5/8"	Round	0.178"	0.342"	NUT081	\$1.50
	5/8"	Truss	0.178"	0.430"	NUT077	\$2.00
1-4-20	1"	Round	0.178"	0.342"	NUT079	\$2.00
	1"	#6Truss	0.178"	0.335"	NUT078	\$1.50
	1-1/2"	Round	0.178"	0.335"	NUT601	\$2.00
	1"	Pan	0.250"	0.485"	NUT161	\$1.00
5/16-24	1"	Round	0.250"	0.450"	NUT265	\$1.00
	2"	Round	0.312	0.561"	NUT600	\$2.00

Brass Threaded Rivets

Size	Length	Head	Body Dia.	Part	Each	
3-48	3/8"	Round	0.099"	0.187"	NUT612	\$0.75
	3/4"	Round	0.111"	0.204"	NUT629	\$1.50
4-40	1"	Round	0.111"	0.204"	NUT602	\$1.50
	1"	Round	0.130"	0.240"	NUT148	\$2.00
6-32	1"	Round	0.158"	0.290"	NUT147	\$1.50

Fillister Head Screws Slotted Stainless Steel

Size	Length	Part	Each
4-40	1/4"	NUT780	\$0.10
	1/2"	NUT781	\$0.15
6-32	1/4"	NUT839	\$0.20
	1/2"	NUT782	\$0.15
	1"	NUT783	\$0.15
	2"	NUT784	\$0.40
8-32	1/2"	NUT785	\$0.20
	1"	NUT786	\$0.25
	2"	NUT787	\$0.40
10-24	1-3/4"	NUT264	\$0.80
10-32	3/4"	NUT799	\$0.30
	1"	NUT788	\$0.50
	2"	NUT789	\$0.70
	3"	NUT790	\$0.90
12-24	3/4"	NUT797	\$0.50
	1"	NUT798	\$0.50
1-4-20	3/4"	NUT836	\$0.80
	1"	NUT837	\$0.70
	2"	NUT838	\$1.00
1-4-28	3/4"	NUT794	\$0.80
	1"	NUT052	\$0.80

Square Head Set Screws

Cup Point — Stainless Steel

Size	Length	Part	Each
1/4-20	3/8"	NUT825	\$1.00
	1/2"	NUT826	\$0.75
	5/8"	NUT827	\$0.80
5/16-18	3/4"	NUT828	\$1.00
	1"	NUT750	\$1.50
	1/2"	NUT830	\$1.00
	5/8"	NUT831	\$1.50
3/8-16	3/4"	NUT832	\$1.50
	1"	NUT751	\$2.00
	3/4"	NUT833	\$2.00
	1"	NUT752	\$2.00

Restoration Supply Company



Brass Round Head Solid Rivets

Plain Steel Round Head Solid Rivets

Length is measured under the head. *Priced by the each.*

Length	1/8" body dia. 0.219" head dia. 0.094" head ht.		3/16" body dia. 0.328" head dia. 0.141" head ht.		1/4" body dia. 0.438" head dia. 0.188" head ht.		1/8" body dia. 0.235" head dia. 0.100" head ht.		3/16" body dia. 0.348" head dia. 0.147" head ht.		1/4" body dia. 0.460" head dia. 0.196" head ht.	
	5/16"	RIV124	\$0.20	--	--	--	--	RIV138	\$0.20	--	--	--
3/8"	RIV125	\$0.20	RIV130	\$0.45	--	--	RIV139	\$0.20	RIV142	\$0.20	RIV147	\$0.20
1/2"	RIV126	\$0.30	RIV131	\$0.60	RIV134	\$1.00	RIV140	\$0.20	RIV143	\$0.20	RIV148	\$0.20
5/8"	RIV127	\$0.30	RIV132	\$0.60	--	--	--	--	RIV144	\$0.20	--	--
3/4"	RIV128	\$0.30	RIV133	\$0.60	RIV135	\$1.50	RIV141	\$0.20	RIV145	\$0.20	RIV149	\$0.20
1"	RIV137	\$0.45	--	--	--	--	--	--	RIV146	\$0.20	RIV150	\$0.30

Rivet Tools & Solid Rivets

German Silver Rivets

Made specifically to have the same appearance as your hood hinge, flexible conduit and other German Silver Trim.



Length	.124" body dia. .225" head dia. .095" head ht.	
	.375"	RIV037
.750"	RIV121	\$3.00 Each

Round Head Rivet Setters

Forged Steel. Polished Face. Hardened working end. Used for setting Brass, Steel & German Silver Solid Rivets.



Part	Size	Hole Size	Each
TOL001	0	.281	\$33.00
TOL002	3	.191	\$30.00
TOL003	7	.125	\$29.00

Full Tubular Rivets



Great for attaching leather straps together. Rivet post length should be 1/16" to 1/8" longer than material to be riveted. Length is overall under head.

9/64" body dia.
5/16" head dia.
3/64" head ht.

Size	Material	Part	Each
5/16"	Brass	RIV038	\$0.30
5/16"	Ni on Br	RIV039	\$0.30

Tubular Rivet Tool



Designed to flare out the end of the rivet

LEA018 \$26.00

Jiffy Rivets



Hammer together style. 3/8" head, 3/16" shank diameter, 1/4" grip length
Brass
RIV042 \$0.30 Each
Nickel Plated
RIV043 \$0.30 Each

These are 150-degree countersunk rivets designed for low-stress applications, like brake lining. Made from Alloy 270 brass. Internal hole depth is equal to rivet diameter. Hole size is 0.156" for 9/64" dia rivets and 0.199" for 3/16" rivets. Length is overall under head.
Priced by the each.

Semi-Tubular Rivets

Length	9/64" body dia. 5/16" head dia. 3/64" head ht.		9/64" body dia. 3/8" head dia. 3/64" head ht.		3/16" body dia. 3/8" head dia. 3/64" head ht.		3/16" body dia. 1/2" head dia. 1/16" head ht.	
	1/4"	RIV100	\$0.30	--	--	--	--	--
9/32"	RIV101	\$0.30	--	--	--	--	--	--
5/16"	RIV102	\$0.30	RIV104	\$0.30	--	--	--	--
3/8"	RIV103	\$0.30	RIV105	\$0.30	RIV107	\$0.30	--	--
7/16"	--	--	RIV106	\$0.30	RIV108	\$0.40	--	--
1/2"	--	--	--	--	RIV109	\$0.40	RIV110	\$0.40

Tubular Rivets

Split Rivets

Priced by the each

Nickel Plated Steel

Brass



Length Under Head	1/8" body dia. .210" head dia.		5/32" body dia. .310" head dia.		5/32" body dia. .365" head dia.		9/64" body dia. .310" head dia.	
	1/4"	RIV047	\$0.30	--	--	--	--	RIV079
5/16"	RIV048	\$0.30	RIV061	\$0.30	RIV055	\$0.30	--	--
3/8"	RIV049	\$0.30	--	--	--	--	RIV080	\$1.00
7/16"	--	--	--	--	--	--	RIV081	\$1.00
1/2"	RIV050	\$0.30	RIV062	\$0.30	RIV057	\$0.30	RIV082	\$1.00
5/8"	RIV051	\$0.30	RIV063	\$0.30	RIV058	\$0.30	RIV083	\$1.00
3/4"	RIV052	\$0.30	--	--	RIV059	\$0.30	RIV084	\$1.00

Split Rivet Tool



Designed to spread the legs uniformly.

LEA017 \$21.00

Split Rivets

info@RestorationStuff.com

www.RestorationStuff.com - Order online anytime!

"The Right Stuff!"

- 39 -

Phone: 1-800-306-7008

Fax: 1-760-739-8843

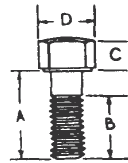
Restoration Supply Company

Bolts

High Head Bolts

Black Oxide Finish

Old style bolts with a slight dome.
Machined from 4142 steel that is *heat treated equivalent to Grade 5*.
The correct style for many vintage vehicles.



Size	"A"	"B"	"C"	"D"	Part	Each	Size	"A"	"B"	"C"	"D"	Part	Each
1/4-28x3/4	3/4"	5/8"	.270	7/16"	NUT304	\$6.00	3/8-16x2-3/4	2-3/4"	1-1/4"	.346	9/16"	NUT803	\$8.00
1/4-28x1	1"	3/4"	.270	7/16"	NUT305	\$6.00	3/8-16x4	4"	3"	.470	9/16"	NUT761	\$10.00
1/4-28x1-1/4	1-1/4"	1-1/4"	.270	7/16"	NUT762	\$7.00	3/8-24x1	1"	3/4"	.400	9/16"	NUT758	\$7.00
1/4-28x1-1/2	1-1/2"	7/8"	.270	7/16"	NUT306	\$7.00	3/8-24X1-1/4	1-1/4"	1"	.400	9/16"	NUT767	\$7.00
1/4-24x1	1"	7/8"	.270	7/16"	NUT800	\$7.00	3/8-24X1-1/2	1-1/2"	1-3/16"	.400	9/16"	NUT768	\$7.00
1/4-20x3/4	3/4"	5/8"	.270	7/16"	NUT307	\$7.00	3/8-24x2	2"	1-1/8"	.470	9/16"	NUT759	\$7.00
1/4-20x1	1"	3/4"	.270	7/16"	NUT308	\$7.00	7/16-14x1-1/2	1-1/2"	1-1/8"	.470	5/8"	NUT316	\$9.00
1/4-20x1-1/4	1-1/4"	1"	.270	7/16"	NUT763	\$7.00	7/16-14x2	2"	1-1/8"	.470	5/8"	NUT317	\$9.00
1/4-20x1-1/2	1-1/2"	7/8"	.270	7/16"	NUT309	\$7.00	7/16-14x2-1/2	2-1/2"	1-5/16"	.470	5/8"	NUT318	\$10.00
5/16-18x1	1"	3/4"	.370	1/2"	NUT310	\$7.00	7/16-14x3	3"	1-13/16"	.470	5/8"	NUT540	\$10.00
5/16-18x1-1/4	1-1/4"	1-1/4"	.370	1/2"	NUT764	\$7.00	1/2-12x1-1/2	1-1/2"	1-1/4"	.470	3/4"	NUT756	\$10.00
5/16-18x1-1/2	1-1/2"	7/8"	.370	1/2"	NUT311	\$7.00	1/2-12x3	3"	2-1/2"	.470	3/4"	NUT757	\$12.00
5/16-18x2	2"	1"	.370	1/2"	NUT312	\$7.00	1/2-13x1-1/2	1-1/2"	1-1/4"	.500	3/4"	NUT377	\$13.00
5/16-24x3/4	3/4"	5/8"	.312	1/2"	NUT960	\$7.00	1/2-13x3	3"	2-1/2"	.500	3/4"	NUT378	\$13.00
5/16-24x1	1"	3/4"	.370	1/2"	NUT492	\$7.00	1/2-20x1-1/2	1-1/2"	1-13/16"	.562	3/4"	NUT961	\$13.00
5/16-24x1-1/4	1-1/4"	1"	.325	1/2"	NUT765	\$7.00	1/2-20x3	3"	2-7/16"	.562	3/4"	NUT962	\$13.00
5/16-24x1-1/2	1-1/2"	1-3/16"	.325	1/2"	NUT766	\$7.00	9/16-12x2	2"	1-3/4"	.550	13/16"	NUT801	\$18.00
3/8-16x1	1"	3/4"	.400	9/16"	NUT313	\$7.00	5/8-11x2	2"	1-3/4"	.610	7/8"	NUT802	\$18.00
3/8-16x1-1/4	1-1/4"	7/8"	.400	9/16"	NUT374	\$7.00	5/8-11x3-1/2	3-1/2"	1-9/16"	.540	7/8"	NUT818	\$19.00
3/8-16x1-1/2	1-1/2"	1-1/8"	.400	9/16"	NUT314	\$7.00	3/4-10x3-1/2	3-1/2"	1-3/4"	.710	1"	NUT819	\$25.00
3/8-16x2	2"	1-1/8"	.400	9/16"	NUT315	\$7.00							

Black Oxide finish, heat treated equivalent to Grade 5.



Wheel Bolts

3/8-16	2-3/8"	NUT850	\$21.00	7/16-14	2-3/4"	NUT855	\$20.00
3/8-16	2-1/2"	NUT858	\$22.00*	7/16-14	3"	NUT856	\$22.00
				7/16-20	3-1/8"	NUT857	\$24.00

*NUT858 does not have a square under the domed head.

Step Bolts



Similar to carriage bolts, but these have a much larger head diameter and are the best replacement for fender bolts and others with large heads.
Black Oxide finish.

1/4-20 (Head Dia. 0.820")	1"	NUT165	\$0.60
	1-1/2"	NUT166	\$0.60
	2"	NUT167	\$0.60
	2-1/2"	NUT371	\$0.60
	3"	NUT372	\$0.60
5/16-18 (Head Dia. 1.023")	1"	NUT168	\$0.75
	1-1/2"	NUT169	\$0.75
	2"	NUT170	\$0.75
	2-1/2"	NUT123	\$0.75
	3"	NUT126	\$0.75
3/8-16 (Head Dia. 1.197")	1"	NUT171	\$0.75
	1-1/2"	NUT172	\$3.00
	2"	NUT173	\$3.00
	2-1/2"	NUT373	\$3.00

Flush Head Bolts



Like step bolts except their heads are wider, completely flat and counter-sunk like a flat head screw.

An excellent choice for fastening floor and running boards which must be covered with floor matting.

Fully threaded and are zinc plated steel.

1/4 - 20 (Head Dia. 0.985")	2"	NUT590	\$1.50
	3"	NUT591	\$1.50
5/16 - 18 (Head Dia. 1.210")	2"	NUT592	\$1.50
	3"	NUT593	\$1.50
3/8 - 16 (Head Dia. 1.330")	2"	NUT594	\$2.00
	3"	NUT595	\$2.00

info@RestorationStuff.com

www.RestorationStuff.com - Order online anytime!


"The Right Stuff!"

- 40 -

Phone: 1-800-306-7008

Fax: 1-760-739-8843

Restoration Supply Company

Carriage Bolts			Stainless		Brass		
	1/4-20 (Head Dia. 0.575")	3/4"	NUT107	\$0.40	---	---	Carriage Bolts
		1"	NUT288	\$0.40	NUT301	\$2.00	
		1-1/2"	NUT289	\$0.40	---	---	
		2"	NUT290	\$0.40	NUT260	\$2.00	
		2-1/2"	NUT214	\$0.40	---	---	
		3"	NUT073	\$0.40	---	---	
5/16-18 (Head Dia. 0.700")	1"	NUT291	\$0.40	NUT261	\$3.00		
	1-1/2"	NUT292	\$0.40	NUT344	\$3.00		
	2"	NUT293	\$0.60	NUT286	\$4.00		
	2-1/2"	NUT543	\$2.00	---	---		
	3"	NUT544	\$2.00	---	---		
3/8-16 (Head Dia. 0.800")	1"	NUT294	\$1.00	---	---		
	1-1/2"	NUT295	\$1.00	---	---		
	2"	NUT296	\$1.00	NUT287	\$2.00		

Bumper Bolt with Hex Nut				
	Round stainless capped head; zinc plated steel body.			
	<u>Size</u>	<u>Part</u>	<u>Each</u>	
	7/16-14 x 1-1/2"	B03100	\$2.00	
	Polished Stainless 7/16-14 x 1-1/4"	B03103	\$10.00	
	1/2-13 x 1-1/2"	B03102	\$3.00	

Tank Strap Forgings		Plain Steel						Tank Straps		
<u>A</u>	<u>B</u>	<u>C</u>	<u>Thread</u>	<u>Part</u>	<u>Each</u>	<u>A</u>	<u>B</u>			
1-1/4"	3"	3-3/4"	1/2-20	MEC026	\$24.00	2"	3-1/2"	3/8-16	MEC019	\$13.00
						1-3/4"	2-3/4"	3/8-16	MEC020	\$13.00
						2"	3-1/2"	1/2-13	MEC022	\$13.00

Drive Screws		Stainless Steel					
<u>Size</u>	<u>Length</u>	<u>Hole Sz</u>	<u>Body Dia</u>	<u>Hd Dia</u>	<u>Head Ht</u>	<u>Part</u>	<u>Each</u>
# 00	3/16"	0.052	0.060	0.099	0.034	NUT105	\$0.30
# 0	3/16"	0.067	0.075	0.127	0.049	NUT106	\$0.30
# 2	3/16"	0.086	0.100	0.162	0.069	NUT152	\$0.30
# 4	1/4"	0.104	0.116	0.211	0.086	NUT795	\$0.30
# 4	3/8"	0.104	0.116	0.211	0.086	NUT156	\$0.30
# 6	1/4"	0.120	0.140	0.260	0.103	NUT796	\$0.30
# 6	3/8"	0.120	0.140	0.260	0.103	NUT791	\$0.30
# 8	3/8"	0.144	0.167	0.309	0.120	NUT792	\$0.30
# 10	3/8"	0.161	0.182	0.359	0.137	NUT793	\$0.30

Tubular Post Screws					
<u>Length</u>	<u>Part</u>	<u>Length</u>	<u>Part</u>	<u>Each</u>	<u>Each</u>
3/16"	NUT185	5/8"	NUT189	\$1.00	\$1.00
1/4"	NUT186	3/4"	NUT190	\$1.00	\$1.00
3/8"	NUT187	1"	NUT191	\$1.00	\$1.00
1/2"	NUT188				

Restoration Supply Company

Hex, Square, Slotted, Knurled & Castellated Nuts



Standard Hex Nuts

Stainless			Brass		Stainless			Brass	
Size	Part	Each	Part	Each	Size	Part	Each	Part	Each
2-56	NUT841	\$0.30	NUT772	\$0.30	1/4-20	NUT278	\$0.30	NUT089	\$0.30
3-48	NUT611	\$0.30	NUT616	\$0.30	1/4-28	NUT054	\$0.30	NUT775	\$0.30
4-40	NUT151	\$0.30	NUT083	\$0.30	5/16-18	NUT297	\$0.30	NUT090	\$0.30
6-32	NUT259	\$0.30	NUT084	\$0.30	5/16-24	NUT603	\$0.30	NUT082	\$0.30
8-32	NUT258	\$0.30	NUT085	\$0.30	3/8-16	NUT298	\$0.30	NUT091	\$0.60
10-24	NUT302	\$0.30	NUT086	\$0.30	3/8-24	NUT335	\$0.30	NUT336	\$0.40
10-32	NUT277	\$0.30	NUT087	\$0.30	7/16-14	NUT356	\$0.30	NUT609	\$1.00
12-24	NUT753	\$0.30	NUT088	\$0.30	7/16-20	NUT357	\$0.30	NUT777	\$1.00
					1/2-13	NUT773	\$0.30	NUT774	\$1.00

Slotted/Castellated Hex Nuts



Plain Steel			
Size	Slotted/ Castellated	Part	Each
1/4-20	S	NUT930	\$0.70
1/4-28	S	NUT931	\$0.70
5/16-18	S	NUT932	\$0.70
5/16-24	S	NUT933	\$0.70
5/16-24	C	NUT903	\$0.70
3/8-16	S	NUT934	\$0.70
3/8-24	S	NUT935	\$0.70
3/8-24	C	NUT905	\$0.70
7/16-14	S	NUT936	\$0.70
7/16-20	S	NUT937	\$0.70
7/16-20	C	NUT907	\$0.70
1/2-13	S	NUT938	\$0.70
1/2-20	S	NUT939	\$1.00
1/2-20	C	NUT909	\$1.00
9/16-12	S	NUT940	\$1.00
9/16-18	S	NUT941	\$1.50
9/16-18	C	NUT911	\$1.50
5/8-11	S	NUT942	\$1.50
5/8-18	S	NUT943	\$1.50
5/8-18	C	NUT913	\$1.50
3/4-10	S	NUT944	\$1.50
3/4-16	S	NUT945	\$2.00
3/4-16	C	NUT915	\$2.00
7/8-14	S	NUT916	\$2.00



Heavy Wide Nuts

Zinc Plated					Grade 5 plain steel	
Size	Across Flats	Ht	Part	Each	Part	Each
1/4-20	1/2	15/64	NUT319	\$0.50	NUT535	\$0.50
5/16-18	9/16	19/64	NUT320	\$0.50	NUT536	\$0.50
3/8-16	11/16	23/64	NUT321	\$0.50	NUT537	\$0.50
7/16-14	3/4	27/64	NUT322	\$0.50	NUT538	\$0.50
1/2-13	7/8	31/64	NUT323	\$0.50	NUT539	\$1.00
9/16-12	1-5/6	37/64	-	-	NUT546	\$1.00



Knurled Brass Nuts

Solid Brass

A "thumb" nut transforms the top of a spark plug to an old style appearance. Also provides a unique look to other applications.

O.D.	Thread	Part	Each	O.D.	Thread	Part	Each
.382"	6/32"	NUT142	\$1.00	.495"	10/32"	NUT145	\$1.00
.440"	8/32"	NUT143	\$1.00	.630"	1/4-20"	NUT146	\$2.00
.495"	10/24"	NUT144	\$1.00	.440"	4 x .7mm	NUT270	\$2.00



Square Nuts

Stainless			Brass	
Size	Part	Each	Part	Each
4-40	NUT776	\$0.30	NUT029	\$0.30
6-32	NUT028	\$0.30	NUT030	\$0.30
8-32	NUT048	\$0.30	NUT031	\$0.60
10-24	NUT025	\$0.30	NUT032	\$0.30
10-32	NUT026	\$0.30	NUT033	\$0.40
1/4-20	NUT027	\$0.30	NUT049	\$1.00
5/16-18	NUT034	\$0.30	NUT053	\$1.50
3/8-16	NUT337	\$1.00	NUT071	\$2.00
7/16-14	NUT338*	\$1.00	*CAD Plated Steel	
1/2-13	NUT339	\$1.00	NUT099	\$2.00

Lever & Wing Nuts



Lever Nut

Brass

A unique nut to attach a fuse box cover, windshield latch, or other decorative accessories. It's drilled and tapped 10-32. 3/4" long.

NUT157 \$3.00

Wing Nut

Brass



Rough castings so that you can drill and tap your own thread size up to 5/16".

Height 1"
Base Dia. 9/16"
Overall Width 1-1/2"

BRA034 \$10.00

Wing Nut

Brass



Rough Casting
Threaded to 1/4-20".

Height 13/16
Base Dia. 7/16
Overall Width 1-1/16"

BRA035 \$6.50

Windshield Wing Nut

Chrome Plated



3/8-24 thread

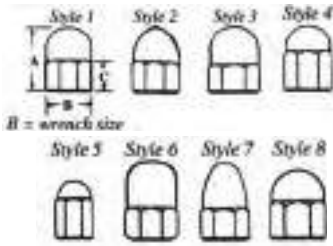
Height 13/16"
Base Dia. 9/16"
Overall Width 11/16"

ACC160 \$10.00

Restoration Supply Company

Cylinder Head Nuts

Chrome Plated



		<u>A</u>	<u>B</u>	<u>C</u>	<u>Thread</u>	<u>Part</u>	<u>Each</u>
Style 1	Packard V-12/Pierce	.845	3/4	.410	1/2-20	NUT008	\$8.00
Style 1	Packard 8	.795	3/4	.365	7/16-20	NUT007	\$8.00
Style 2	Studebaker Valve Cover	.709	1/2	.406	5/16-24	NUT010	\$3.00
Style 2	Studebaker Valve Cover	.725	1/2	.325	5/16-24	NUT018	\$6.00
Style 3	Lincoln	.860	11/16	.360	7/16-20	NUT006	\$6.00
Style 4	Jag Head	1.000	3/4	.575	7/16-20	NUT001	\$5.00
Style 5	Jag Cam Cover	.630	7/16	.420	1/4-28	NUT002	\$4.00
Style 6	Ford Flat Head	.910	11/16	.375	7/16-20	NUT003	\$5.00
Style 7	Cad/LaSalle Head	.875	11/16	.365	7/16-20	NUT004	\$7.00
Style 7	Cad/LaSalle Man	.715	9/16	.340	3/8-24	NUT020	\$4.00
Style 7	T-Bird Valve Cover	.726	1/2	.323	5/16-24	NUT009	\$4.00
Style 7	Pierce Head	.960	3/4	.437	1/2-20	NUT011	\$6.00

Jaguar "D" Washer

<u>ID</u>	<u>OD</u>	<u>Thickness</u>	<u>Part</u>	<u>Each</u>
.465"	1.000"	.135"	WAS001	\$4.00



Cadillac/LaSalle Spacer

<u>ID</u>	<u>OD</u>	<u>Thickness</u>	<u>Part</u>	<u>Each</u>
.440"	.680"	.324"	WAS008	\$4.00



Pierce Head Washer

<u>ID</u>	<u>OD</u>	<u>Thickness</u>	<u>Part</u>	<u>Each</u>
.537"	1.000"	1.25"	NUT012	\$4.00



High Crown Nuts



Machined with a large, slightly pointed cap and large flats. Highly Polished.

<u>Size</u>	<u>Chrome</u>					<u>Stainless</u>	
	<u>A</u>	<u>B</u>	<u>C</u>	<u>Part</u>	<u>Each</u>	<u>Part</u>	<u>Each</u>
8-32	.456	5/16	.235	NUT618	\$3.00		
10-24	.520	3/8	.175	NUT013	\$2.00	NUT036	\$4.00
10-32	.520	3/8	.175	NUT014	\$1.00	NUT037	\$2.00
1/4-20	.605	7/16	.180	NUT015	\$2.00	NUT038	\$5.00
1/4-28	.605	7/16	.180	NUT016	\$3.00	NUT039	\$4.00
5/16-18	.700	1/2	.250	NUT017	\$3.00	NUT040	\$5.00
5/16-24	.725	1/2	.325	NUT018	\$6.00	NUT041	\$5.00
3/8-16	.800	9/16	.280	NUT019	\$3.00	NUT042	\$5.00
3/8-24	.820	9/16	.335	NUT020	\$4.00	NUT043	\$6.00
7/16-14	.900	5/8	.280	NUT021	\$3.00	NUT044	\$7.00
7/16-20	.900	5/8	.325	NUT022	\$4.00	NUT047	\$7.00
1/2-13	1.050	3/4	.405	NUT023	\$5.00	NUT046	\$10.00
1/2-20	1.064	3/4	.464	NUT024	\$5.00	NUT045	\$14.00

High Head Acorn Nuts

Polished Stainless Steel



Custom machined to authentic old style dimensions. A-13/16", B-3/4", C- 7/16" (See above diagram)

<u>Size</u>	<u>Part</u>	<u>Each</u>
7/16-20	NUT155	\$15.00
1/2-20	NUT131	\$12.00

Acorn Nut Covers



Slip these over your standard nuts for a new look. Dimension given is the hex size of the nut to be

<u>Size</u>	<u>Part</u>	<u>Each</u>	<u>Size</u>	<u>Part</u>	<u>Each</u>
3/8"	NUT279	\$2.00	5/8"	NUT283	\$2.00
7/16"	NUT280	\$2.00	11/16"	NUT284	\$2.00
1/2"	NUT281	\$2.00	3/4"	NUT285	\$2.00
9/16"	NUT282	\$2.00	7/8"	NUT500	\$2.00

Acorn Nuts & Covers

Stainless

<u>Size</u>	<u>Part</u>	<u>Each</u>	<u>Size</u>	<u>Part</u>	<u>Each</u>	<u>Size</u>	<u>Part</u>	<u>Each</u>	<u>Size</u>	<u>Part</u>	<u>Each</u>
4-40	NUT176	\$0.50	12-24	NUT605	\$1.00	3/8-16	NUT154	\$0.70	1/2-20	NUT541	\$4.00
6-32	NUT239	\$0.50	1/4-20	NUT243	\$0.50	3/8-24	NUT245	\$2.00			
8-32	NUT607	\$0.50	1/4-28	NUT035	\$0.50	7/16-14	NUT534	\$4.00			
10-24	NUT241	\$0.50	5/16-18	NUT244	\$0.50	7/16-20	NUT533	\$6.00			
10-32	NUT242	\$0.60	5/16-24	NUT110	\$0.70	1/2-13	NUT542	\$3.00			



Brass

<u>Size</u>	<u>Part</u>	<u>Each</u>	<u>Size</u>	<u>Part</u>	<u>Each</u>	<u>Size</u>	<u>Part</u>	<u>Each</u>	<u>Size</u>	<u>Part</u>	<u>Each</u>
6-32	NUT235	\$0.40	12-24	NUT604	\$0.50	5/16-24	NUT232	\$1.00	7/16-20	NUT272	\$2.00
8-32	NUT236	\$0.40	1/4-20	NUT229	\$0.50	3/8-16	NUT233	\$2.00	1/2-13	NUT252	\$2.00
10-24	NUT237	\$0.40	1/4-28	NUT230	\$0.50	3/8-24	NUT234	\$2.00	1/2-20	NUT273	\$2.00
10-32	NUT238	\$0.40	5/16-18	NUT231	\$1.00	7/16-14	NUT271	\$2.00			

Chrome

<u>Size</u>	<u>Part</u>	<u>Each</u>	<u>Size</u>	<u>Part</u>	<u>Each</u>	<u>Size</u>	<u>Part</u>	<u>Each</u>	<u>Size</u>	<u>Part</u>	<u>Each</u>
8-32	NUT810	\$2.00	1/4-20	NUT812	\$2.00	5/16-18	NUT814	\$2.00	1/2-20	NUT816	\$3.00
10-32	NUT811	\$2.00	1/4-28	NUT813	\$2.00	3/8-16	NUT815	\$2.00			

info@RestorationStuff.com

www.RestorationStuff.com - Order online anytime!

"The Right Stuff!"

- 43 -

Phone: 1-800-306-7008

Fax: 1-760-739-8843

Restoration Supply Company

Washers



Flat Washers

<u>Bolt Size</u>	<u>Stainless</u>		<u>Brass</u>	
	<u>Part</u>	<u>Each</u>	<u>Part</u>	<u>Each</u>
#4	WAS104	\$0.20	WAS094	\$0.30
#6	WAS105	\$0.20	WAS100	\$0.30
#8	WAS106	\$0.20	WAS101	\$0.30
#10	WAS107	\$0.20	WAS102	\$0.40
#12	WAS113	\$0.30	WAS103	\$0.40
1/4"	WAS108	\$0.20	WAS095	\$0.40
5/16"	WAS112	\$0.20	WAS096	\$0.60
3/8"	WAS109	\$0.20	WAS097	\$0.70
7/16"	WAS110	\$0.20	WAS098	\$0.70
1/2"	WAS111	\$0.30	WAS099	\$0.70



Lock Washers

Stainless Steel



<u>Bolt Size</u>	<u>Part</u>	<u>Each</u>
#4	WAS120	\$0.20
#6	WAS121	\$0.20
#8	WAS122	\$0.20
#10	WAS123	\$0.20
#12	WAS129	\$0.20
1/4"	WAS124	\$0.20
5/16"	WAS125	\$0.20
3/8"	WAS126	\$0.20
7/16"	WAS127	\$0.20
1/2"	WAS128	\$0.60



Finish Washers

Designed for use under all counter sunk screws so they can be tightened without chewing up the surface finish. Standard flush finish washers have a small lip which protrudes beyond the head of the screw. Finish washers without a lip still protect the surface from the twisting of the screw but do not extend beyond the head.



Without Lip



Flush



Countersunk

	<u>Nickel plated brass w/lip</u>	<u>Stainless w/lip</u>	<u>Stainless w/out lip</u>
#4	WAS024 \$0.20	WAS078 \$0.40	WAS074 \$0.30
#6	WAS066 \$0.20	WAS079 \$0.40	WAS075 \$0.30
#8	WAS067 \$0.20	WAS080 \$0.40	WAS076 \$0.40
#10	WAS025 \$0.20	n/a	WAS077 \$0.50
1/4"		WAS082 \$0.60	

Countersunk w/flange



	<u>Stainless Steel</u>
#6	WAS021 \$0.20
#8	WAS022 \$0.20
#10	WAS023 \$0.20

	<u>Brass</u>	<u>Stainless Steel</u>	<u>Nickel Plated Brass</u>
#4	WAS085 \$0.20	WAS140 \$0.20	WAS146 \$0.20
#6	WAS086 \$0.20	WAS141 \$0.20	WAS147 \$0.20
#8	WAS087 \$0.20	WAS142 \$0.20	WAS148 \$0.20
#10	WAS088 \$0.20	WAS143 \$0.20	WAS149 \$0.20
#12	WAS089 \$0.20	WAS144 \$0.20	WAS150 \$0.40
1/4"	WAS090 \$0.30	WAS145 \$0.20	WAS151 \$0.40
3/8"		WAS156 \$0.40	

Specialty Washers

Head/Manifold Washers



Extra thick chrome washers. Perfect for many applications where heavy washers should be used, such as cylinder heads and chassis assemblies.

	<u>ID</u>	<u>OD</u>	<u>Thickness</u>	<u>Part</u>	<u>Each</u>
Cad/LaSalle Head	.397	.875	.125	WAS005	\$5.00
Lincoln Head	.450	.900	.120	WAS006	\$5.00
Packard 8 Head	.460	.939	.150	WAS002	\$5.00
Packard 12 Head/Pierce	.520	1.000	.170	WAS003	\$5.00
T-Bird Valve Cover	.345	1.047	.078	WAS007	\$2.00
Lincoln, KB, KA, K, V-12	.460	.920	.080	WAS009	\$4.00

Red Fiber Washers



Makes a neat, finished appearance under fasteners where paint and plating distortion may occur. Withstands high compressions and helps to seal fuel and oil lines.

Thickness: 1/32"

Sizes are shown in inches.

<u>ID</u>	<u>OD</u>	<u>Part</u>	<u>Each</u>	<u>ID</u>	<u>OD</u>	<u>Part</u>	<u>Each</u>	<u>ID</u>	<u>OD</u>	<u>Part</u>	<u>Each</u>
5/32	5/16	WAS034	\$0.30*	1/2	5/8	WAS043	\$0.30	3/4	1	WAS051	\$0.30*
3/16	3/8	WAS035	\$0.30*	1/2	11/16	WAS044	\$0.30*	3/4	1-1/16	WAS068	\$0.30
1/4	3/8	WAS036	\$0.30*	1/2	3/4	WAS045	\$0.30	13/16	1-1/8	WAS069	\$0.40*
1/4	1/2	WAS037	\$0.30	9/16	13/16	WAS046	\$0.30*	7/8	1-3/16	WAS052	\$0.40*
5/16	7/16	WAS038	\$0.30*	5/8	3/4	WAS047	\$0.30	15/16	1-1/4	WAS070	\$0.40*
5/16	9/16	WAS039	\$0.30*	5/8	7/8	WAS048	\$0.30*	1	1-1/4	WAS053	\$0.40*
3/8	1/2	WAS040	\$0.30*	21/32	25/32	WAS054	\$0.30	1-1/32	1-5/16	WAS071	\$0.40
3/8	5/8	WAS041	\$0.30*	21/32	7/8	WAS049	\$0.30*	1-3/16	1-9/16	WAS072	\$0.40
7/16	5/8	WAS042	\$0.30*	11/16	15/16	WAS050	\$0.30*	1-1/4	1-5/8	WAS073	\$0.40



Red Fiber Washer Assortment – An assortment of 18 common sizes, as indicated by an * above. 10 per size in a convenient compartment box with a snap lid.

WAS091 \$40.00

info@RestorationStuff.com

www.RestorationStuff.com - Order online anytime!

"The Right Stuff!"

- 44 -

Phone: 1-800-306-7008

Fax: 1-760-739-8843

Restoration Supply Company

Copper Crush Port Gaskets



Copper wrapped, asbestos-like material. Perfect for sealing water jacket bolts, fuel lines, valve port plugs and anything that needs a crushable, temperature and fluid resistant washer. They are approximately .090 thick before being crushed.

Inch Sized Gaskets

<u>ID</u>	<u>OD</u>	<u>Part</u>	<u>Each</u>
3/8	5/8	GAS037	\$2.00
7/16	11/16	GAS038	\$2.00
1/2	3/4	GAS039	\$2.00
9/16	13/16	GAS074	\$3.00
5/8	13/16	GAS047	\$3.00
3/4	1	GAS040	\$3.00
7/8	1-1/16	GAS048	\$3.00
1	1-3/16	GAS049	\$3.00
1-1/32	1-1/4	GAS008	\$3.00
1-1/8	1-3/8	GAS009	\$3.00
1-1/4	1-1/2	GAS010	\$3.00
1-1/4	1-5/8	GAS051	\$3.00
1-3/8	1-5/8	GAS024	\$3.00
1-1/2	1-3/4	GAS011	\$3.00
1-17/32	2	GAS071	\$3.00
1-5/8	1-7/8	GAS016	\$3.00
1-11/16	1-15/16	GAS065	\$3.00
1-11/16	2-5/16	GAS053	\$3.00
1-3/4	2-1/16	GAS055	\$3.00
1-3/4	2	GAS012	\$4.00
1-3/4	2-1/4	GAS050	\$4.00
1-13/16	2-1/16	GAS046	\$4.00
1-7/8	2-1/8	GAS017	\$4.00
1-15/16	2-5/32	GAS041	\$4.00
1-15/16	2-5/16	GAS044	\$4.00
2	2-1/4	GAS018	\$4.00
2-1/16	2-5/16	GAS056	\$4.00

<u>ID</u>	<u>OD</u>	<u>Part</u>	<u>Each</u>
2-1/16	2-9/16	GAS052	\$3.00
2-1/8	2-3/8	GAS015	\$3.00
2-1/4	2-1/2	GAS013	\$4.00
2-5/16	2-9/16	GAS042	\$4.00
2-3/8	2-5/8	GAS032	\$4.00
2-7/16	2-11/16	GAS033	\$4.00
2-1/2	2-3/4	GAS014	\$4.00
2-5/8	2-7/8	GAS020	\$4.00
2-5/8	3-3/16	GAS078	\$4.00
2-3/4	3	GAS034	\$5.00
2-3/4	3-1/8	GAS021	\$5.00
2 13/16	3 1/16	GAS075	\$5.00
2-7/8	3-1/8	GAS022	\$5.00
3	3-1/4	GAS023	\$6.00
3-1/16	3-1/4	GAS069	\$5.00
3-1/16	3-7/16	GAS073	\$5.00
3-1/4	3-1/2	GAS035	\$6.00
3-1/4	3-5/8	GAS077	\$6.00
3-3/4	4	GAS063	\$5.00
3-5/16	3-9/16	GAS043	\$5.00
3-3/8	3-5/8	GAS045	\$5.00
3-1/2	3-3/4	GAS062	\$6.00
3-7/8	4-1/8	GAS061	\$5.00
4	4-1/4	GAS036	\$5.00
4-1/4	4-1/2	GAS064	\$5.00
4-3/8	4-3/4	GAS054	\$5.00
4-41/64	5	GAS072	\$6.00
5-1/4	5-3/4	GAS057	\$5.00

Metric Sized Gaskets

<u>ID</u>	<u>OD</u>	<u>Part</u>	<u>Each</u>
6 x 10		GAS004	\$2.00
6 x 12		GAS019	\$2.00
8 x 14		GAS006	\$2.00
10 x 14		GAS005	\$2.00
10 x 16		GAS002	\$2.00
12 x 16		GAS026	\$2.00
16 x 22		GAS030	\$2.00
18 x 24		GAS027	\$2.00
22 x 27		GAS028	\$2.00
24 x 32		GAS029	\$2.00
26 x 32		GAS008	\$2.00
28 x 35		GAS009	\$3.00
30 x 36		GAS025	\$2.00
32 x 38		GAS010	\$3.00
35 x 41		GAS024	\$3.00
38 x 44		GAS011	\$3.00
40 x 46		GAS076	\$3.00

Copper Crush Port Gaskets

Solid Copper Washers



<u>Bolt Size</u>	<u>ID</u>	<u>OD</u>	<u>Thickness</u>	<u>Part</u>	<u>Each</u>	<u>Bolt Size</u>	<u>ID</u>	<u>OD</u>	<u>Thickness</u>	<u>Part</u>	<u>Each</u>
5/16	3/8	9/16	1/32	B15913	\$0.50	3/16	1/4	7/16	1/32	B15911	\$0.50
5/16	3/8	3/4	1/16	B15916	\$0.50	3/16	1/4	5/8	1/16	B15914	\$0.50
3/8	7/16	13/16	1/16	B15917	\$0.50	1/4	5/16	1/2	1/32	B15912	\$0.50
7/16	1/2	7/8	1/16	B15918	\$0.50	1/4	5/16	11/16	1/16	B15915	\$0.50
1/2	9/16	13/16	3/32	B15919	\$0.80						

<u>Metric Size</u>	<u>Part</u>	<u>Each</u>
8x12 mm	GAS003	\$0.40
12x16mm	GAS001	\$0.60

Copper Washers

White Felt



Very resilient and ideal for lubrication wicks, grease seals and wipers. Temperature range is -80 to +200 degrees.

<u>Thickness</u>	<u>Part</u>	<u>Per Square Inch</u>
1/8"	GAS066	\$0.50
3/16"	GAS067	\$0.50
1/4"	GAS068	\$0.50

Felt

info@RestorationStuff.com

www.RestorationStuff.com - Order online anytime!

"The Right Stuff!"

- 45 -

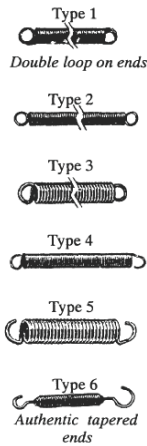
Phone: 1-800-306-7008

Fax: 1-760-739-8843

Restoration Supply Company

Extension Springs

Extension Springs



Type	Overall Length	Coil Length	OD	Wire Size	LBS Rate per Inch	Approx. lb load@ reference ext.	Part	Each
3	10.000"	9.250"	.500"	.062"	1.8	10.2@12"	B14058	\$3.00
1	6.375"	5.500"	.435"	.050"			B14059	\$2.00
2	6.438"	5.575"	.328"	.035"	1.1	2.2@8.500"	B14060	\$2.00
5	5.850"	5.215"	.553"	.090"			B14061	\$8.00
1	6.500"	5.925"	.328"	.035"	7.5oz	1.6@7.750"	B14062	\$2.00
4	3.250"	2.750"	.375"	.041"	1.9	5.2@5.250"	B14063	\$2.00
1	4.000"	3.450"	.250"	.028"	13oz	1.9@6.000"	B14064	\$2.00
3	4.500"	3.575"	.484"	.063"	6.2	14@6.500"	B14065	\$2.00
1	4.062"	2.750"	.734"	.062"	1.4	4.3@6.062"	B14066	\$2.00
3	4.000"	2.825"	.719"	.105"	12.5	36.5@5.000"	B14067	\$2.00
6	5.250"	3.000"	.531"	.062"	5.0	8.5@6.250"	B14068	\$10.00
5	2.594"	1.500"	.750"	.105"	46.0	29.5@2.968"	B14069	\$2.00
5	2.656"	1.500"	.750"	.080"	10.3	12.5@3.656"	B14070	\$2.00
3	1.438"	.825"	.344"	.048"	15.0	10@1.812"	B14072	\$2.00
3	1.125"	.700"	.234"	.020"	12.0	9oz@1.625"	B14074	\$2.00

Universal Springs

	Overall Length	Coil Length	OD	Wire Size	Part	Each
	11-1/2"	1-7/8"	13/32"	1/32"	B14097	\$2.00
	4-3/8"	2-1/2"	1/2"	1/16"	B14098	\$2.00
	1-13/16"	1-1/2"	3/8"	1/32"	B14099	\$2.00
	8-1/2"	1-7/8"	3/4"	3/32"	B14100	\$2.00
	5-3/4"	2-3/8"	25/32"	3/64"	B14101	\$2.00
	18-1/2"	2"	13/16"	3/32"	B14102	\$2.00
	17-1/2"	3-1/2"	3/4"	1/16"	B14103	\$2.00
	8-1/4"	2"	7/16"	1/16"	B14104	\$2.00

Tapered End Springs

Heavy Duty



Overall Length hook-hook	Coil Length	OD	Wire Size	Part	Each
5-7/8"	4.05"	.875"	0.110"	FAS058	\$11.00

Internal Brake Band Spring

Fits Buick and others.



Overall Length hook-hook	Coil Length	OD	Wire Size	Part	Each
3.3"	2.07"	.470"	.080"	FAS060	\$10.00

Windows & Door

Door Latch Springs

7/8" Dia.	5/8" Dia.	1-1/8" Dia.	3/4" Dia.
FAS053 \$5.00	FAS054 \$6.00	FAS055 \$5.00	FAS056 \$4.00
0.065" wire gauge	0.077" wire gauge	0.077" wire gauge	0.070" wire gauge
0.215" spring thickness	0.188" spring thickness	0.193" spring thickness	0.143" spring thickness
0.906" coil width	0.890" coil width	1.187" coil width	0.750" coil width
1.812" overall length	2.018" overall length	1.906" overall length	2.218" overall length

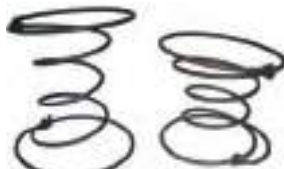
Window Regulator Spring



FAS057 \$12.00	1 7/8" Dia.
0.087" wire gauge	
0.226" spring thickness	
1.800" coil width	
2.687" overall length	

Seat Supplies

Upholstery Seat Springs



UPH003

UPH001

When it is time to redo your seats, these are what you will need to replace those broken down old springs. These are made from 0.135" spring steel.

Height	Part	Each
3-1/2"	UPH001	\$6.00
4-1/2"	UPH002	\$6.00
5"	UPH003	\$6.00
6"	UPH004	\$6.00



UPH005



UPH006

Part	Price
Lined Clip	UPH005 \$0.30 Each
3 Prong Clip	UPH006 \$0.30 Each
9 Gauge Edge Wire	UPH007 \$10.00 12 Foot Piece

info@RestorationStuff.com

www.RestorationStuff.com - Order online anytime!

"The Right Stuff!"

- 46 -

Phone: 1-800-306-7008

Fax: 1-760-739-8843

Restoration Supply Company

Poly-Slide



Channel Shaped Poly Sheets.
Inserts between spring leaves for a permanent smooth ride.
Thickness .040" 20 foot roll only.



<u>Spring Width</u>	<u>Part</u>	<u>Price</u>
1-3/4"	LUB016	\$15.00
2"	LUB017	\$16.00
2-1/4"	LUB018	\$18.00

Poly-Slide

Yoke Ends

Forged Steel



<u>Thread Size</u>	<u>Overall Length</u>	<u>Inner Width</u>	<u>Outer Width</u>	<u>Part</u>	<u>Each</u>	<u>Correct Clevis Pin</u>	
						<u>Part</u>	<u>Each</u>
10-32	1-3/4"	3/16"	7/16"	B10000	\$7.00	PIN003	\$2.00
1/4-28	2"	9/32"	5/8"	B10737	\$5.00	PIN001	\$2.00
5/16-24	2-1/4"	11/32"	3/4"	B10738	\$5.00	B09435	\$2.00
3/8-24	2-1/2"	7/16"	7/8"	B10739	\$6.00	B09441	\$2.00
7/16-20	2-7/8"	1/2"	1"	B10740	\$5.00	PIN002	\$2.00
1/2-20	3"	9/16"	1-1/8"	B10741	\$6.00	B09446	\$2.00

Clevis Pins

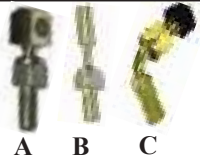
Steel



<u>Dia.</u>	<u>Length</u>	<u>Part</u>	<u>Each</u>	<u>Dia.</u>	<u>Length</u>	<u>Part</u>	<u>Each</u>	
3/16"	1/2"	PIN003	\$2.00	7/16"	7/8"	B09440	\$1.00	
	7/8"	PIN010	\$2.00		1"	B09441	\$1.00	
1/4"	11/16"	PIN001	\$1.00		1-1/16"	B09442	\$1.00	
	29/32"	B09433	\$1.00		1-1/8"	B09443	\$1.00	
	1"	B09434	\$2.00		1-3/8"	B09444	\$1.00	
					1-5/8"	B09445	\$1.00	
5/16"	7/8"	B09435	\$2.00		1-1/4"	PIN002	\$2.00	
	1"	B09436	\$1.00		1/2"	1-11/32"	B09446	\$2.00
	1-1/8"	B09437	\$1.00			1-19/32"	B09447	\$2.00
	1-1/4"	B09438	\$1.00					
	1-5/8"	B09439	\$1.00					

Rod Ends and Yoke Ends

Control Swivels



Control rod ends made of low carbon steel; units are plated and dichromate treated for corrosion resistance.

<u>Thread Size</u>	<u>Part</u>	<u>Each</u>
1/4-28 Straight A	B13607	\$9.00
1/4-28 Straight B	B13606	\$5.00
1/4-20 Angled C	FAS037	\$10.00

Rod Ends



Ball stud and seats are case hardened; plated and treated for corrosion resistance.

<u>Thread</u>	<u>Length</u>	<u>Part</u>	<u>Each</u>
10-32	1-1/4"	B09866	\$10.00
1/4-28	1-3/8"	B09867	\$11.00
5/16-24	1-9/16"	B09868	\$14.00

Quick Release Rod Ends



Perfect for throttle cable or linkage that needs to be quick released. They have the same thread on the stud as they do in the body. The ball is a quick disconnect from the rest of the linkage. The barrel is spring loaded.

<u>Thread</u>	<u>Part</u>	<u>Each</u>
10-32	B09862	\$20.00
1/4-28	B09863	\$20.00
5/16-24	B09864	\$20.00
3/8-24	B09865	\$20.00

Hinge Pins

Stainless Steel



If you have a door hinge that's worn out or broken, these replacement pins will make it as good as new. Just select the appropriate size at right and cut it to size.

<u>Length</u>	<u>Dia.</u>	<u>Part</u>	<u>Each</u>
1-13/16"	.250	FAS075	\$5.00
2-1/2"	.275	FAS076	\$6.00
2-3/4"	.275	FAS077	\$6.00

Hinge Pins

info@RestorationStuff.com

www.RestorationStuff.com - Order online anytime!

"The Right Stuff!"

- 47 -

Phone: 1-800-306-7008

Fax: 1-760-739-8843

Restoration Supply Company

Footman Loops

Mount to any flat surface to provide a permanent place to hold your straps, tie-downs, webbing and anything else that needs a tie down. Requires #10 Screws.



Footman Loops

	Strap Width	Overall Length	Hole Centers	Part	Each
Nickel Plated Steel	1"	2-5/8"	2-1/8"	BRA301	\$3.00
	1-1/4"	2-3/4"	2-1/4"	BRA302	\$3.00
	1-1/2"	3-1/8"	2-5/8"	BRA303	\$3.00
Brass	1-1/4"	2-3/4"	2-1/8"	BRA077	\$5.00
	1-1/2"	3-1/4"	2-9/16"	BRA078	\$5.00
Zinc Plated Steel	1"	2-1/2"	2-1/8"	BRA213	\$3.00
Stainless Steel	1"	2-1/2"	1-15/16"	BRA076	\$3.00
	1-1/4"	2-3/4"	2-1/8"	BRA089	\$3.00
	1-1/2"	3-1/8"	2-9/16"	BRA075	\$3.00
Cast Brass	1-1/2"	3-1/8"	2-1/2"	BRA212	\$6.00
Black	1-1/4"	2-3/4"	2-1/4"	BRA328	\$9.00
	1-1/2"	3-1/8"	2-1/2"	BRA329	\$9.00

Brass Buckles & Rings

Buckles

Polished Cast Brass

These buckles have rollers for a more authentic style. Also available in Stainless Steel for 1-1/4" and 1-1/2" size straps.

Strap Width	Part	Each	Strap Width	Part	Each	Strap Width	Part	Each
1/2" SS	BRA024	\$2.00	1/2"	BRA005	\$2.00	1/2"	BRA037	\$2.00
5/8"	BRA021	\$2.00	5/8"	BRA009	\$3.00	5/8"	BRA038	\$2.00
3/4"	BRA019	\$2.00*	3/4"	BRA025	\$4.00	3/4"	BRA039	\$4.00
7/8"	BRA022	\$2.00	7/8"	BRA008	\$3.00	7/8"	BRA040	\$3.00
1"	BRA002	\$3.00*	1"	BRA003	\$4.00	1"	BRA041	\$3.00
1" SS	BRA338	\$3.00**	1" SS	BRA336	\$4.00**	1" SS	BRA337	\$4.00
1-1/8"	BRA020	\$3.00	1-1/8"	BRA026	\$3.00	1-1/4"	BRA043	\$5.00
1-1/4"	BRA007	\$5.00*	1-1/4"	BRA004	\$3.00	1-1/4" SS	BRA330	\$4.00**
1-1/4" SS	BRA332	\$4.00**	1-1/4" SS	BRA334	\$4.00**	1-1/2"	BRA044	\$4.00
1-1/2"	BRA006	\$6.00*	1-1/2"	BRA010	\$5.00	1-1/2" SS	BRA331	\$4.00**
1-1/2" SS	BRA333	\$6.00**	1-1/2" SS	BRA335	\$5.00**			
1-3/4"	BRA023	\$7.00*	1-3/4"	BRA027	\$5.00			
			2"	BRA014	\$5.00			

*Larger buckles available with stainless tongue only

** Cast stainless steel

Rings

Brass Plated	Dia.	Part	Each	Dia.	Part	Each
	1/2"	BRA264	\$1.00	1-1/4"	BRA270	\$1.00
	5/8"	BRA265	\$1.00	1-1/2"	BRA271	\$1.00
	3/4"	BRA266	\$1.00	1-3/4"	BRA272	\$1.00
	7/8"	BRA267	\$1.00	2"	BRA273	\$2.00
	1"	BRA268	\$1.00	2-1/2"	BRA274	\$2.00
	1-1/8"	BRA269	\$1.00	3"	BRA237	\$4.00
	1-1/8"	BRA360*	\$2.00			

*Nickel Plated

Dee Rings

Brass Plated	Strap Width	Part	Each	Strap Width	Part	Each
	1/2"	BRA058	\$1.00	1-1/8"	BRA062	\$1.00
	5/8"	BRA059	\$1.00	1-1/4"	BRA029	\$2.00
	3/4"	BRA060	\$1.00	1-1/4" SS	BRA342	\$2.00
	7/8"	BRA061	\$1.00	1-1/2"	BRA012	\$2.00
	1"	BRA028	\$1.00	1-3/4"	BRA063	\$2.00
	1" SS	BRA339	\$1.00	1-1/2" SS	BRA343	\$2.00

Brass Snap Connectors

Spring Loaded Hooks

Polished Cast Brass

Spring loaded, thumb operated pin locks it in place; good for quick connect applications.

Strap Width	Part	Each	Strap Width	Part	Each
3/4"	BRA052	\$4.00	1-1/8"	BRA055	\$4.00
7/8"	BRA053	\$4.00	1-1/4"	BRA056	\$4.00
1"	BRA054	\$4.00	1-1/2"	BRA011	\$4.00

Swivel base

Strap Width	Part	Each
3/4"	BRA049	\$3.00
1"	BRA050	\$3.00

Trigger Snap Hooks

Cast Brass

Trigger operated snap with fatter hook which requires a larger attaching point.



Strap Width	Part	Each
3/4"	BRA046	\$3.00

Buckle Hooks

Cast Stainless Steel

For 1" straps



BRA340	\$16.00
--------	---------

Spring Snaps

Polished Cast Brass unless noted otherwise.

Spring loaded cast lever which locks it into place.

Strap Width	Part	Each
5/8"	BRA108	\$4.00
3/4"	BRA109	\$4.00
1"	BRA111	\$4.00
1-1/8"	BRA112	\$5.00
1-1/4"	BRA113	\$5.00
1-1/2"	BRA114	\$5.00
1-3/4"	BRA115	\$5.00
5/8" SS	BRA013	\$5.00
1-1/4" SS	BRA015	\$5.00

info@RestorationStuff.com

www.RestorationStuff.com - Order online anytime!

"The Right Stuff!"

- 48 -

Phone: 1-800-306-7008

Fax: 1-760-739-8843

Restoration Supply Company

Top Selling Products!

Hood Strap Springs



Specifically designed for use on hood hold down straps. The springs fit leather straps of 1-1/2" width, but they can also be used on straps from 1-1/4" to 1-3/4". 302 Stainless Steel. 0.135" diameter wire. 3.48" tall x 2.23" wide. To make them shiny, have them electro-polished.

FAS036 \$25.00



Quick Release Fastener



This connector is ideal for joining two hood straps, as you can "quick release" the top strap for opening the hood without using a conventional buckle. It will add a lot of character in any application.

Overall length 4-1/2"; strap width: 1-1/4".
This fastener is not suitable for seat belts.

	<u>Part</u>	<u>Each</u>
Solid Brass	BRA031	\$10.00
Stainless Steel	BRA032	\$10.00
Black	BRA030	\$10.00

Leather Straps

We stock from 3/4" to 1-1/2" in natural tan without painted edges, black with black painted edges and chestnut with black painted edges. Each belt is between 45" - 60" long and 1/8" thick.



Size	Natural	Black	Chestnut
3/4" Belt	LEA026 \$13.00	LEA031 \$14.00	LEA032 \$14.00
3/4" Loop	LEA035 \$2.00	LEA040 \$2.00	LEA045 \$2.00
1" Belt	LEA027 \$15.00	LEA028 \$22.00	LEA029 \$22.00
1" Loop	LEA036 \$2.00	LEA041 \$2.00	LEA046 \$2.00
1-1/4" Belt	LEA020 \$18.00	LEA021 \$22.00	LEA022 \$22.00
1-1/4" Loop	LEA037 \$2.00	LEA042 \$2.00	LEA047 \$2.00
1-1/2" Belt	LEA023 \$22.00	LEA024 \$28.00	LEA025 \$32.00
1-1/2" Loop	LEA038 \$2.00	LEA043 \$2.00	LEA048 \$2.00

Leather Hole Punch

Cuts a 3/16" hole in your leather.



LEA019 \$12.00

To secure hardware to these straps use tubular post screws found on page 41.

Angled Crank Holder



One-piece construction with end cap. Strap is 45 degrees to the handle. Leather is black with a nickel buckle.

LEA012 \$110.00

Crank Holder



One-piece construction with end cap. Strap is 90 degrees to the handle. Leather is black.

	<u>Part</u>	<u>Each</u>
Brass Buckle	LEA010	\$95.00
Nickel Buckle	LEA011	\$100.00

Hood Straps & Leather Punch

Crank Holder

Restoration Supply Company

Murphy Fasteners



Murphy Fasteners

Solid Cast Brass

Reproduced to look, operate and feel just like the originals.
Use the single for one layer of fabric, double for two, and triple for 3 layers.

	<u>Part</u>	<u>Each</u>
Male end, dual screw base, single	FAS162	\$17.00
Male end, dual screw base, double	FAS159	\$18.00
Male end, dual screw base, triple	FAS158	\$19.00
Heavier & rounded female grommet with washer	FAS163	\$5.00
Back plate, brass	FAS169	\$2.00

Common Sense Fasteners

Head is *Solid Brass*; stamped DOT (*Can be sanded off*).



	<u>Part</u>	<u>Each</u>
Male end, prong base, single, brass	FAS150	\$2.00
Male end, prong base, double, brass	FAS151	\$2.00
Prong base backing washer, brass	FAS155	\$0.30
Male end, dual screw base, single, brass	FAS156	\$2.00
Male end, dual screw base, double, brass	FAS157	\$3.00
Male end, dual screw base, single, nickel plated	FAS167	\$3.00
Male end, dual screw base, double, nickel plated	FAS168	\$3.00
Female side, grommet eyelet & washer, brass	FAS300	\$0.60
Female side, grommet eyelet & washer, nickel	FAS301	\$0.60
Wood screw base #8 x 5/8" — brass, single	FAS147	\$3.00
Wood screw base #8 x 5/8" — nickel plated, single	FAS149	\$3.00
Wood screw base #8 x 5/8" — brass, double	FAS153	\$3.00
Wood screw base #8 x 5/8" — nickel plated, double	FAS148	\$3.00

Murphy Eyelet Punch



The best way to stamp a hole in your fabric to install the female fastener.

FAS164 \$80.00

Top Bow Pins

Top Bow "T" Cotter Pins with Leather Straps

Straps measure 7" . Pin attached with a rivet.

Solid Brass



	<u>Part</u>	<u>Each</u>
Top Bow "T" Cotter Pin	PIN005	\$5.00
Pin w/Tan Leather Strap	PIN006	\$7.00
Pin w/Black Leather Strap	PIN007	\$9.00

Top Nuts

Top Prop Nuts



7/16-14" Thread; 1-1/4" Dia. Head.

	<u>Part</u>	<u>Each</u>
Brass	LEA050	\$17.00
Black	LEA051	\$17.00
Chrome	LEA052	\$19.00

Large Top Nut

Highly Polished Brass



7/16-14" Thread
1-3/4" Diameter

LEA053 \$65.00 Each

Carriage Drive Knob and Eyelet



	<u>Part</u>	<u>Each</u>
7/8" Knob	FAS032	\$2.00
1" Eye	FAS033	\$2.00
1-1/4" Eye	FAS034	\$2.00

Hinges

Latching Rail Hinges

Knife and fork hinge joints for latching rails on tops. Occasionally used on trunk racks. Must be welded onto oval iron. Small are for 5/8" oval iron, large for 7/8" oval iron. Lost wax castings will need machining by you. Oval iron on page 28.



	<u>Part</u>	<u>Each</u>
Hinge, Large	BRA362	\$30.00
Rail Ends, Curved	BRA366	\$20.00
Rail End, Straight	BRA368	\$20.00
Hinge, Small	BRA364	\$30.00
Rail End, Curved	BRA367	\$20.00
Rail End, Straight	BRA369	\$20.00

A Hinge consists of 1 male/1 female piece.

info@RestorationStuff.com

www.RestorationStuff.com - Order online anytime!

"The Right Stuff!"

- 50 -

Phone: 1-800-306-7008

Fax: 1-760-739-8843

Restoration Supply Company

Snubber Belt



The 1-1/4" and 1-1/2" are two pieces of our hood lace stitched together.

The 1-3/4" and 2" are the original snubber thickness of 3/16".

<u>Size</u>	<u>Part</u>	<u>Price Per Foot</u>
1-1/4"	CLO070	\$15.00
1-1/2"	CLO071	\$15.00
1-3/4"	CLO044	\$15.00
2"	CLO045	\$15.00

Fender Welt

Black heavy coated, bright glazed drill, folded over a cord and glued to form a bead on one edge; resists flattening around sharp corners.



	<u>Leg</u>	<u>Bead</u>	<u>Part</u>	<u>Price Per Foot</u>
Smooth & Glossy	1-1/2"	3/16"	CLO030	\$4.00
Smooth & Glossy	1-1/2"	1/4"	CLO031	\$4.00
Smooth & Glossy	2"	3/16"	CLO032	\$4.00
Smooth & Glossy	2"	1/4"	CLO033	\$5.00
Dull & Textured	1-1/2"	1/4"	CLO052	\$6.00
Silver	3/16"	1/4"	CLO020	\$6.00
Stainless Steel Bead*	1-1/4"	1/4"	CLO042	\$32.00

* Sold in 8 Foot lengths.

Hood Lace

Brown woven fiber with asphalt hood lace. It's usually attached with the split rivets shown on page 39.



Flat

<u>Width</u>	<u>Thickness</u>	<u>Part</u>	<u>Per Foot</u>
1/4"	1/8"	CLO005	\$3.00
5/16"	1/8"	CLO028	\$3.00
3/8"	1/8"	CLO011	\$3.00
1/2"	1/8"	CLO002	\$3.00
5/8"	1/8"	CLO003	\$4.00
3/4"	1/8"	CLO004	\$4.00
7/8"	1/8"	CLO014	\$4.00
1"	1/8"	CLO010	\$4.00
1-1/4"	1/8"	CLO016	\$4.00
1-1/2"	1/8"	CLO017	\$4.00
1-3/4"	1/8"	CLO023	\$4.00
2"	1/8"	CLO018	\$4.00

Double Bead

<u>Width</u>	<u>Thickness</u>	<u>Part</u>	<u>Per Foot</u>
1/2"	3/16"	CLO006	\$3.00
5/8"	3/16"	CLO007	\$4.00
3/4"	3/16"	CLO008	\$4.00
7/8"	3/16"	CLO012	\$6.00
1"	3/16"	CLO013	\$6.00

Body Cushion

<u>Width</u>	<u>Thickness</u>	<u>Part</u>	<u>Per Foot</u>
1-1/2"	1/16"	CLO019	\$4.00
1-3/4"	1/16"	CLO041	\$4.00
2"	1/16"	CLO009	\$4.00

Oval

<u>Width</u>	<u>Thickness</u>	<u>Part</u>	<u>Per Foot</u>
7/16"	9/16"	CLO050	\$5.00

Hood Bumpers



	<u>Part</u>	<u>Pack of 6</u>
All circular	ACC220	\$7.00
Mixed circular/triangular	ACC221	\$6.00

Hood Corners



	<u>Part</u>	<u>Per Pair</u>
Black Molded Rubber 1-3/8"x 1-3/8"	ACC026	\$6.00
Black Sewn Leather 1-3/4"x 1-1/2"	ACC025	\$7.00

Hood Lace Hook



1-5/8" to inner bend.
3/4" hole centers

ACC161 \$1.00

Hood Lace and Fender Welt

info@RestorationStuff.com

www.RestorationStuff.com - Order online anytime!

"The Right Stuff!"

- 51 -

Phone: 1-800-306-7008

Fax: 1-760-739-8843

Restoration Supply Company

Latches and Locks

Door Latches

Steel

Right Left Right Left

2" 3-3/8" 2-1/4" 4-1/4" 1-1/2" 3"

Zinc plated. Requires a 5/16" square shaft for both left and right hand actuation. 3/4" wide slam bolt. Latches with handles have a 1-1/4" long inside release lever and have a 1" wide slam bolt.

	<u>Part</u>	<u>Each</u>		<u>Part</u>	<u>Each</u>
Right	FAS172	\$13.00	Right with handle	FAS170	\$38.00
Left	FAS173	\$13.00	Left with handle	FAS171	\$38.00

Door Locks

Steel

4-3/4 Tall
2" Wide
1" Depth

5" Tall
2" Wide
1" Depth

Door lock & latch with striker plate. Stamped from 4130 structural steel. Spring loaded catch; copies of the original striker plates. Used on various early models.

1909-1910		1911-1912	
<u>Part</u>	<u>Each</u>	<u>Part</u>	<u>Each</u>
FAS174	\$300.00	Right FAS175	\$300.00
FAS176	\$300.00	Left FAS178	\$300.00

Latch Cover and Carriage Key

Chrome plated and spring loaded latch cover. Matching key with tapered square tang.

	<u>Part</u>	<u>Each</u>
Cover 1-1/8" diameter	FAS039	\$17.00
Key 2-1/2" x 3-1/2"	FAS040	\$11.00
Key 2-1/2" x 5"	FAS043	\$14.00

Latch

Zinc Plated Steel

Length	3.75"
Width	.75"
Hole Centers	2.30"

FAS038 \$10.00

Striker Plate

Zinc Plated Steel

Length	3.00"
Width	1.00"
Hole Centers	2.37"

FAS052 \$5.00

Hinges and Handles

Tee Hinges

Solid Brass

<u>Length</u>	<u>Width</u>	<u>Part</u>	<u>Each</u>
4"	2-3/16"	BRA166	\$35.00
4"	2-1/2"	BRA167	\$35.00
5-7/8"	4"	BRA168	\$35.00

Spring Hinge

Solid Brass

3" Long
2-3/8" Wide

BRA100 \$35.00

Offset Hinge

Solid Brass

3-1/2" Long
1-1/2" Wide
3/8" Offset

BRA243 \$30.00

Handle

Solid Brass

3-1/4" Wide
2-1/4" Mounting Plate
1-1/2" Hole Pattern

BRA101 \$33.00

Long Brass Hinges

Solid Brass

Heavy enough to be used as door hinges. Thickness is 1/4" at pin tapering to 3/16" at ends.

	<u>Part</u>	<u>Each</u>
2x3-1/2"	BRA361	\$80.00
1-1/8x2"	BRA380	\$55.00
1-3/4x4"	BRA381	\$75.00
1-3/4x2"	BRA382	\$65.00
1-1/2x2"	BRA383	\$60.00
1-1/2x4"	BRA384	\$70.00
2-1/2x4"	BRA385	\$80.00

Butt Hinges

Solid Brass

5/64" Thick

<u>Width x Open Length</u>	<u>Part</u>	<u>Each</u>
1-1/2x1"	BRA187	\$15.00
1-1/2x1-1/4"	BRA188	\$15.00
1-1/2x1-1/2"	BRA189	\$15.00
2x1-1/4"	BRA190	\$15.00
2x1-1/2"	BRA191	\$15.00
2x1-3/4"	BRA192	\$15.00
2x2"	BRA193	\$15.00
2-1/2x2"	BRA194	\$15.00

Decorative Hinges

Solid Brass

<u>Open Length</u>	<u>Width</u>	<u>Part</u>	<u>Each</u>
3"	1-3/16"	BRA092	\$20.00

See us at Hershey Swap Meet every year in October!

Space Numbers
RWN 9-13

Restoration Supply Company

Sliding Arm Adjusters *Solid Brass*

Delivers smooth function and long lasting wear.
Reversible for left or right hand use.



Arm Length	Part	Each	Closed Length	Part	Each
8"	BRA133	\$35.00	10"	BRA207	\$50.00
10"	BRA134	\$35.00	12"	BRA208	\$50.00
12"	BRA135	\$40.00			

Draw Fasteners *Solid Brass*



Bolt Size	Part	Each
5/16x2-1/4"	BRA105	\$30.00
3/8x4"	BRA107	\$30.00

Hasp *Solid Brass*



Perfect for battery boxes, trunks, etc.
Overall size: 4x2"; base size: 3x2"; padlock hole: 1/4".

BRA083 \$60.00

Hasps *Solid Brass*

Perfect for tool Box Closures and other Compartments.

Closed length	Width	Padlock eye Dia.	Part	Each
2"	1"	1/4"	BRA095	\$21.00
2"	1"	5/16"	BRA295	\$20.00
3"	1"	3/8"	BRA296	\$22.00
3"	1"	3/8"	BRA297	\$30.00*

*No swivel

Hood Latches *Polished Stainless Steel*



Versatile spring loaded hood latch that attaches to hood panel.
Total height: 3-3/4".
Base to latch: 2-3/4"

Latch **FAS134 \$18.00** Hook **FAS135 \$7.00**

Coil Box Latch Assembly *Solid Brass*



BRA116



BRA249

Part	Price
2-1/4 Lg - 1-1/8 Hole Ctr BRA116	\$16.00
2-1/8 Lg - 1-1/2 Hole Ctr BRA249	\$16.00

Compartment Lock *Solid Brass*



1-1/2x2" Cyl ext 7/8" **BRA230 \$70.00**

Draw Clamp *Solid Brass*



Sturdy over center clamp used to secure tool box lids, compartment closures, trunks, etc.
Not designed for use with a padlock.

BRA141 \$50.00

Key Padlocks *Solid Brass*



One piece case.
Easily polished.
BRA087 & BRA088 have a brass shackle;
BRA090 has a stainless steel shackle.

Shackle Dia	Case Size	Part	Each
3/16"	1-1/8x1-1/8"	BRA087	\$15.00
1/4"	1-1/2x1-3/8"	BRA088	\$15.00
9/32"	1-1/2x1-3/8"	BRA090	\$17.00

Squire Padlock *Solid Brass*



Genuine Old English #330 padlock.
4 lever mechanism.

1-1/2" wide
2-1/4" tall
BRA234 \$17.00

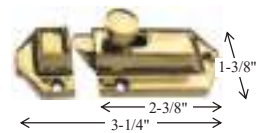
Draw Bolt Latch *Solid Brass*



Polished brass catch.
Measures 1-3/8" x 1-1/4"
Requires six #5 crews.

BRA233 \$24.00

Door Latch *Solid Brass*



Spring Loaded

BRA390 \$43.00

Draw Bolt Locks *Nickel Plated Steel*



Part	Each
2" x 3-1/2" BRA284	\$18.00
1-3/4" x 3-1/4" BRA341	\$16.00

Draw Bolt Latches



Part	Each
1-9/16" x 3-1/8" <i>Nickel Plated Steel</i> BRA224	\$5.00
1-9/16" x 3-1/8" <i>Brass Plated Steel</i> BRA225	\$5.00

Clamps, Latches and Locks

info@RestorationStuff.com

www.RestorationStuff.com - Order online anytime!

"The Right Stuff!"

- 53 -

Phone: 1-800-306-7008




Fax: 1-760-739-8843

Restoration Supply Company

Pulls and Handles






Flush Ring Pulls

Polished Brass

		Size	Part	Price
	Recessed center with flat ring	1-1/4"x1-1/2"	BRA084	\$21.00
		1-5/8"x1-5/8"	BRA294	\$27.00
		1-7/8"x2-1/2"	BRA128	\$28.00
	Recessed center with rounded ring	2-1/4"x2-3/4"	BRA129	\$30.00
		1-7/8"x2-1/2"	BRA211	\$40.00
	Latched recessed center with flat ring (spring loaded latch)	1-5/8" OD	BRA209	\$24.00
		1-1/4"x1-1-5/8"	BRA306	\$60.00
		1-1/2"x2"	BRA304	\$61.00
	Latched recessed center with flat ring (spring loaded latch)	1-1/2"x2"	BRA305	\$75.00 *Chrome*

Pull Handles



Polished Brass

		Hole Centers	Length	Base Width	Part	Price
	"A"	3-15/16"	5-1/8"	1"	FAS017	\$18.00* <i>*Polished Stainless Steel</i>
	"B"	4-1/8"	4-3/4"	11/16"	BRA120	\$25.00
	"C"	3"	3-3/4"	1-1/8"	BRA121	\$20.00
	"D"	3-1/2"	4"	1-1/16"	BRA123	\$16.00
		4-3/16"	5"	1-3/8"	BRA124	\$16.00
	"E"	3-1/2"	4-3/16"	1-1/8"	BRA118	\$12.00
		5-1/4"	6-1/8"	1-5/8"	BRA140	\$25.00

Corners, Dowels & Brackets

	Trunk Handle Loops 1-7/8 Overall Length	Leather Trunk Handles 9-1/2" Overall Length	Trunk Corner Nickel Plated Steel
	Nickel Plated Steel <u>Part</u> LEA015 <u>Each</u> \$3.00 Brass Plated Steel <u>Part</u> LEA016 <u>Each</u> \$3.00	Black <u>Part</u> LEA013 <u>Each</u> \$15.00 Natural <u>Part</u> LEA014 <u>Each</u> \$15.00	5/32" radius; extends 1-5/16" BRA298 \$2.00
Guide Dowels Nickel Plated Steel	Windshield Mounting Bracket Polished Brass	Trunk Corners	
 5/16x1" <u>Part</u> BRA235 <u>Each</u> \$2.50 5/16x1-3/8" <u>Part</u> BRA231 <u>Each</u> \$2.50	 1/8" Thick x 1-7/16" wide and 4-1/16" tall, Radius to accommodate firewall edge trim MOU047 on page 29. Set of 4 BRA036 \$200.00	 3/16" radius, extends 1-3/4" Nickel Plated Steel BRA245 \$3.00 Brass Plated Steel BRA246 \$6.00 1/2" radius, extends 1-1/4" Nickel Plated Steel BRA247 \$6.00	

Weather stripping

	"T" Rubber Concave Head Seals the windshield base. 9/32" head. 3/4" leg RUB053 \$2.00 Foot 1" leg RUB054 \$2.00 Foot	Windshield Weather Stripping	
	 MOU096 \$125.00 6 Foot Length	 For two-piece wind shields with 1/4" non-overlapping glass. RUB055 \$2.00 Foot	 For two-piece windshields with 1/4" non-overlapping glass. RUB059 \$9.00 42" Length Only
	<i>Fits over 1/4" safety glass. Will fit into 3/8" channel.</i>	<i>All 3 sizes are 1-1/2" Wide</i>	

info@RestorationStuff.com
www.RestorationStuff.com - Order online anytime!

"The Right Stuff!"

- 54 -

Phone: 1-800-306-7008
Fax: 1-760-739-8843

Restoration Supply Company

Wiper Arm Assembly



2 blades 9" long, 2 arms 8" long, swivels 2" , 1 link rod 18-1/2" long.

ACC012 \$34.00

Knurled Drum



Used for fitting wiper arms to 1/4" motor shafts. Common from the late '20s to the '60s. 1/2" OD.

ACC098 \$9.00

Wiper Arms

Hook & Saddle Type



This unit will clamp on any 1/4" shaft, no hole necessary. It is 8" long, and it is extendable to 12". This is the same arm that comes in our wiper motor kits, ACC092 and ACC093.

	<u>Part</u>	<u>Each</u>
8" long, extends to 12"	ACC080	\$14.00
6" long, extends to 8"	ACC085	\$14.00

Wiper Arms



For use with wrist-type wiper blades. Clamps on 1/4" shaft. No hole necessary.

	<u>Part</u>	<u>Each</u>
6" ext to 8"	ACC094	\$15.00
8" ext to 12"	ACC095	\$17.00

Hand Wiper

Chrome Plated



Early style hand-operated wiper with 1/4" shaft.

ACC051 \$32.00

Wiper Arm

Hook & Saddle Type



All stainless generic replacement fits any 1/4" shaft with a 3/32" hole drilled through it. Overall length 7-3/4".

ACC011 \$12.00

Wiper Blades



For wrist type wiper arms. Fits on parts ACC094 & ACC095.

	<u>Part</u>	<u>Each</u>
6"	ACC142	\$20.00
8-1/4"	ACC143	\$20.00
10"	ACC144	\$20.00

Wiper Assembly

Polished Stainless Steel



Contains stainless steel motor cover, arm, blade, and motor with 2-1/2" shaft which can be shortened. 120° travel. Wiring diagram included.

	<u>Part</u>	<u>Each</u>
6V kit	ACC092	\$65.00
2V kit	ACC093	\$65.00

Wiper Blade

Hook and Saddle Type



Can be easily shortened. Fits wiper arms ACC011 and ACC085.

	<u>Part</u>	<u>Each</u>
7- 1/2"	ACC081	\$6.00
10"	ACC002	\$6.00

Wiper Blade

Hook and Saddle Type



This unit is similar to ACC002. It has a more robust attachment area, giving less wobbling during operation, but is more difficult to trim the length. This is the same blade that comes in wiper motor kits, ACC092 and ACC093.

11" **ACC146 \$9.00**

Wiper Motor



Has a 110 degree sweep and is self parking. The on/off switch is located on the black housing. The threaded wiper shaft is 5/16" in diameter and 3-1/8" long with the ability to be shortened to 2-1/2". Mounting holes are pre-packed with rubber bushings and are 1-3/4" from center of wiper arm on each side. It works with our wiper arms ACC011, ACC080, ACC085, ACC094, ACC095.

	<u>Part</u>	<u>Each</u>
12v	ACC177	\$51.00
6v	ACC172	\$54.00

Vacuum Hose



Black hose fits original wiper motors.

	<u>Part</u>	<u>Per Foot</u>
1/8" Fittings	LUB013	\$2.00
3/16" Fittings	LUB019	\$2.00

Wiper Motors & Wipers

info@RestorationStuff.com

www.RestorationStuff.com - Order online anytime!

"The Right Stuff!"

- 55 -

Phone: 1-800-306-7008

Fax: 1-760-739-8843

Restoration Supply Company

Mirrors

Deluxe Spare Tire Mounted Mirror



4-3/4" flat or convex. Mounting base is 3" x 8".
Available in brass, nickel plated and chrome by special order.
Comes with two 30" leather straps.

	Flat		Convex	
	<u>Part</u>	<u>Each</u>	<u>Part</u>	<u>Each</u>
Chrome	ACC175	\$400.00	ACC202	\$400.00
Nickel	ACC200	\$400.00	ACC203	\$400.00
Brass	ACC201	\$400.00	ACC204	\$400.00

Spare Tire Mounted Mirror



Chrome plated stand is 6-1/2" tall and has a 4" diameter stainless steel mirror.
Comes with a 22" long brown leather strap.

ACC084 \$65.00

Windshield Mounted Mirror

Brass



Fully adjustable heads with locking hand-nut.
Clamps on a round, or semi-round 3/4" windshield frame.
5" x 7" beveled glass.
Arm extends 6" to 8".
Can be nickel-plated.

ACC039 \$170.00

Rear View Mirrors

Come with a polished stainless bracket and either a rectangular 2-5/8"x5" beveled glass mirror or an oval 2-7/8"x5-3/4".
Mounts to any flat surface. Select from one of the five stainless brackets below. Sold as complete mirrors only.



"A" (Flat Mount with lip)
Rectangular ACC105 \$51.00
Oval ACC127 \$51.00



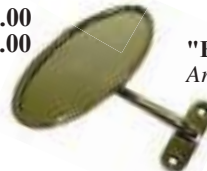
"B" (Angle Mount)
Rectangular ACC106 \$52.00
Oval ACC128 \$50.00



"C" (Curved Mount)
Rectangular ACC109 \$52.00
Oval ACC129 \$55.00



"D" (Cast Stainless Flat Mount)
Arm length is 2-1/2". Same mount as "E" 2" hole centers
Rectangular ACC110 \$65.00
Oval ACC145 \$75.00



"E" (Cast Stainless Flat Mount)
Arm length is 1-1/2". Same mount as "D"
Oval ACC124 \$82.00

Oval Mirror head without bracket ACC126 \$40.00

Side View Mirror



Clamp on mirror fits a round or semi-round post; 5" head diameter.

	<u>Part</u>	<u>Each</u>
Polished Brass	ACC099	\$57.00
Chrome Plated Brass	ACC100	\$63.00

Clip on Mirror



Mirror with two rubber padded clamping arms for attaching to wind wing glass; 3-1/2" diameter

	<u>Part</u>	<u>Each</u>
Polished Brass	ACC082	\$40.00
Polished Stainless	ACC083	\$38.00

Beveled Glass

Mirrors



	<u>Size</u>	<u>Part</u>	<u>Each</u>
Rectangle	2-3/4" x 5-1/4"	ACC015	\$8.00
Rectangle	2-7/8" x 6"	ACC016	\$12.00
Chopped Oval	2-5/8" x 5"	ACC021	\$9.00
Rectangle	2-1/2" x 4"	ACC156	\$12.00
Rectangle	2-1/2" x 6"	ACC157	\$16.00
Rectangle	5" x 7"	ACC118	\$28.00

info@RestorationStuff.com

www.RestorationStuff.com - Order online anytime!

"The Right Stuff!"

- 56 -

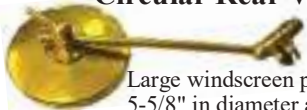
Phone: 1-800-306-7008

Fax: 1-760-739-8843

Restoration Supply Company

Mirrors

Circular Rear View Side Mount Mirror



Large windscreen pillar mounted mirror. Convex lens is 5-5/8" in diameter and fully adjustable on a 10" arm on which the mirror can travel. Clamps on round or semi round 3/4" windshield channel.

Brass ACC169 \$250.00 Nickel ACC219 \$250.00

Beveled Mirror with Bracket



Clamp on beveled mirror with swivel ball and socket bracket; clamp fits 7/8" diameter tube. Mirror size: 2-3/4x6".

Part Each
 Polished Brass ACC017 \$35.00
 Polished Stainless ACC007 \$40.00

Hinge Pin Mirrors



Fit onto your hinge pin. Comes with a new hinge pin and necessary hardware if needed. 4" locking swivel mirror.

6" Arm
 1-3/4" Hinge Opening

ACC139 \$60.00



9" Bent Arm
 2-1/4" Hinge Opening

ACC195 \$57.00

Rectangular Mirror



5" x 2" Glass held in a stainless steel cradle. Cast stainless base with two-hole flange. 1-5/8" hole centers. Arm is 2-1/2" high.

ACC168 \$35.00

Universal Mirror



Universal mounting bracket. Especially suited for closed cars. Glass size 2-5/8" x 5"; Black Painted Steel.

ACC018 \$28.00

Flat Mount Mirror



2-7/8"x 5-3/4" oval stainless head with polished stainless bracket.

ACC130 \$50.00

This mount is also available with 2-5/8" x 5" Rectangle beveled glass mirror similar to ACC017 shown above.

ACC117 \$38.00

Mirrors Aluminum



4-3/4" x 1-3/4"

2-5/16" Hole Centers

Part Each
 Glue on ACC137 \$53.00
 Screw On ACC136 \$50.00

Stainless Mirror Head



4-1/8" diameter with 5/16" swivel mounting post 1-1/2" long; 3/4" thread length.

ACC111 \$27.00

Post Mirrors

Polished Stainless Steel



It has a 6" post and a 4" dia. locking swivel mirror. The ends of the posts are threaded.

5/16-18 Threads ACC140 \$55.00 7/16-20 Threads ACC141 \$57.00

Suction Cup Mirrors



Black plastic. Fully adjustable mirror. Great safety item. Just stick it on for GO and remove it for SHOW!

Part Each
 Plastic 2" x4-1/2" ACC123 \$18.00
 Plastic 2-3/4" x6" ACC165 \$26.00
 S.S. 2-1/2" x6" ACC166 \$30.00

Straight Arm 'Peep' Mirror



Clamps on most door edges and adjusts to many mounting angles. The arm is 5-1/4" long and the mirror with locking swivel is 4" dia. Rubber mounting pad and Allen wrench included.

ACC138 \$35.00

Order Online Anytime!



<https://RestorationStuff.com/Ecommerce>

info@RestorationStuff.com

www.RestorationStuff.com - Order online anytime!

"The Right Stuff!"

- 57 -

Phone: 1-800-306-7008

Fax: 1-760-739-8843

Restoration Supply Company

Speedometer

Speedometer Cable Ends

Solid Brass

Fits the 5/8" flex tubing on page 11.



	<u>Thread Size</u>	<u>Part</u>	<u>Each</u>		<u>Thread Size</u>	<u>Part</u>	<u>Each</u>
Stewart	3/4-20	FLX015	\$19.00	Ford, Jones, Stewart	7/8-18	FLX017	\$19.00
Jones	7/8-28	FLX016	\$19.00	Zinc-plated	5/8-18	FLX067	\$15.00

Speedometer Cable and Housing

Perfect for slipping inside the 5/8" Brass, German Silver or Stainless Steel Flex Tubing and finished with the Speedometer End.



Drive Cable

Drive Cable Housing

Cable Tips for FLX054 Cable

<u>O/D</u>	<u>Part</u>	<u>Per Foot</u>	<u>I/D</u>	<u>O/D</u>	<u>Part</u>	<u>Per Foot</u>	<u>I/D</u>	<u>Shank Dia.</u>	<u>Part</u>	<u>Each</u>
.130"	FLX052	\$5.00	.170"	.297"	FLX055	\$7.00	.187"	.203"	FLX060	\$13.00
.150"	FLX053	\$6.00	.250"	.445"	FLX056	\$8.00	.187"	.187"	FLX061	\$11.00
.187"	FLX054	\$7.00					.187"	.150"	FLX062	\$25.00

Choke Cable

Choke Cable

Inner wire
.062 OD

Galvanized housing
.187 OD

Clamp



FLX042 \$0.60 Foot

FLX046 \$2.00 Foot

FLX044 \$4.00 Each

Belting

Link Belt



Link belt is similar to "take apart" belts used in the teens and 20's. Length can be easily increased or decreased by adding or removing individual links. Measure width of "V" at outermost edge of pulley; 21/32" is the most common size.

		<u>Part</u>	<u>Per Foot</u>
Black	1/2"	BEL006	\$23.00
Black	21/32"	BEL010	\$24.00

Spring Belting



Spring can be cut to fit your application. Use a spring connector that screws inside the continuous spring on each end and then join the two connectors together to make one continuous loop. **Two connectors are required to make the loop.**

	<u>Part</u>	<u>Price</u>
5/16" Spring Belt	BEL008	\$15.00 Foot
5/16" Belt Connector	BEL009	\$6.00 Each
3/8" Spring Belt	BEL011	\$15.00 Foot
3/8" Belt Connector	BEL012	\$6.00 Each

Drive Coupling

Drive Coupling Material



Rubber impregnated cloth designed for use as u-joint and drive coupling medium. Material is to be stacked to fill larger distances. State required dimensions when ordering.

3/16" thick MEC005 \$1.00 Square Inch
Only available in black.

1/4" thick MEC004 \$1.00 Square Inch
Only available in tan.

info@RestorationStuff.com

www.RestorationStuff.com - Order online anytime!

"The Right Stuff!"

- 58 -

Phone: 1-800-306-7008

Fax: 1-760-739-8843

Restoration Supply Company

Leather Conditioner

When it is time to give those precious leather seats and upholstery some care, we recommend Color Plus Leather Restoration Systems. Rejuvenates tired and dull leather. Test all conditioning and restoration products in an area that does not show to ensure that desired result is achieved.

SOFFENER™ - Original Formula Leather Conditioner

WHY IT'S DIFFERENT? SOFFENER™ contains more natural oils. Absorbs deep into the interior layers of the leathers.

Rehydrates and nourishes leather from the "inside out". Leather regularly conditioned with SOFFENER™ remains soft and supple for many years. SOFFENER™ is the most potent and beneficial leather conditioner available. Softens old, stiff leather and preserves new leather. In most cases SOFFENER™ will not darken light shades of leather. Natural leather smell. (1 quart) conditions approx. 300 sq. ft.



Not for use on suede.

Quart LEA001 \$65.00 Gallon LEA002 \$120.00

Heavy Duty Multipurpose Cleaner



SUPER-CLEANER is a powerful industrial strength, biodegradable, phosphate free concentrate. It easily removes both surface soil and dirt that has become embedded in the pores of the leather. SUPER-CLEANER is formulated to remove both oil and water based stains. Safe for leather and vinyl.

Not recommended for fabric, suede and velour.

1 Quart LEA005 \$70.00

Wenol Polish



A gentle polish that cleans and preserves all blank metal surfaces. It produces a long lasting water resistant layer that protects against rust and corrosion. Red is not recommended for painted, plated metals or anodized aluminum. Blue (Auto-Wenol) is an ultra soft polish which provides a high gloss luster to aluminum, chrome and stainless steel. To use: apply evenly over surface using a soft cloth or polishing pad, then polish up to a high-sheen finish. Can be used on wet surfaces.



	<u>Part</u>	<u>Each</u>
Red 100 ml	PRO004	\$14.00
Blue 100ml	PRO006	\$17.00
Red 40oz	PRO007	\$55.00
Polish Cloth	PRO011	\$2.00



Master Formula – Metal Gloss



Specifically formulated to polish all types of metal. It removes oxidation & water spots, & restores your metal to a brilliant high gloss. Works on aluminum, chrome, brass, stainless steel and more.

	<u>Part</u>	<u>Each</u>
12oz. Bottle Metal Gloss	PRO045	\$27.00
Metal Sealer	PRO046	\$45.00

Bees Wax

2" Dia. x 1" Thick, or 1 oz.



Nature's wonder product. Handy for use on leather edges, brass screws, sanding belts for aluminum, etc.

PRO002 \$7.00

Leather Conditioner

Polishes & Cleaners

info@RestorationStuff.com

www.RestorationStuff.com - Order online anytime!












"The Right Stuff!"

- 59 -

Phone: 1-800-306-7008

Fax: 1-760-739-8843

Restoration Supply Company

Adhesives	Contact Cement		Upholstery Adhesive Spray														
	 <p>This contact cement works well for gluing our matting to wood or metal surfaces. Complete instructions are included.</p> <p style="text-align: center;"><i>1 Pint Can</i> ADH002 \$18.00</p>	 <p>A must when doing trim and upholstery work. Bonds to foam rubber, urethane foam, glass, cardboard, cloth and leather. For permanent and temporary bonds, water resistant.</p> <p style="text-align: center;"><i>12 oz. Aerosol</i> ADH045 \$13.00</p>															
Clear Lacquer	Clear Lacquer																
	 <p>This clear lacquer coating is to protect bare metals from tarnishing. Works especially well on brass. Nontoxic and contains no fluorocarbons. The 1 quart can is "ready for use" with a spray gun or use the convenient aerosol spray can.</p> <p style="text-align: center;"><i>1 Quart ready for use</i> PRO008 \$40.00</p>	 <p style="text-align: right;"><i>Aerosol</i> PRO009 \$24.00</p>															
Black Oxide	Black Oxide Kit																
	 <p>This <u>easy to use</u> solution gives a tough, dull black protective finish to ferrous metal parts (steel or iron). No heat is necessary.</p> <table style="margin-left: auto; margin-right: auto;"> <thead> <tr> <th></th> <th style="text-align: center;"><u>Part</u></th> <th style="text-align: center;"><u>Each</u></th> </tr> </thead> <tbody> <tr> <td style="text-align: center;"><i>32 oz. Black Oxide</i></td> <td style="text-align: center;">PRO012</td> <td style="text-align: center;">\$82.00</td> </tr> <tr> <td style="text-align: center;"><i>32 oz Degreaser</i></td> <td style="text-align: center;">PRO013</td> <td style="text-align: center;">\$36.00</td> </tr> <tr> <td style="text-align: center;"><i>12 oz Aerosol Prevent™</i></td> <td style="text-align: center;">PRO014</td> <td style="text-align: center;">\$62.00</td> </tr> </tbody> </table>		<u>Part</u>	<u>Each</u>	<i>32 oz. Black Oxide</i>	PRO012	\$82.00	<i>32 oz Degreaser</i>	PRO013	\$36.00	<i>12 oz Aerosol Prevent™</i>	PRO014	\$62.00				
	<u>Part</u>	<u>Each</u>															
<i>32 oz. Black Oxide</i>	PRO012	\$82.00															
<i>32 oz Degreaser</i>	PRO013	\$36.00															
<i>12 oz Aerosol Prevent™</i>	PRO014	\$62.00															
Hirsch Products	Gas Tank Sealer	Gas Tank Etch	Fuel Preservative & Stabilizer														
	<p>Stops rust, leaks & corrosion. Can be re-sealed and re-used. Mix well before use.</p>  <table style="margin-left: auto; margin-right: auto;"> <thead> <tr> <th></th> <th style="text-align: center;"><u>Part</u></th> <th style="text-align: center;"><u>Each</u></th> </tr> </thead> <tbody> <tr> <td style="text-align: center;"><i>1 Pint Can</i></td> <td style="text-align: center;">ADH047</td> <td style="text-align: center;">\$27.00</td> </tr> <tr> <td style="text-align: center;"><i>1 Quart Can</i></td> <td style="text-align: center;">ADH048</td> <td style="text-align: center;">\$44.00</td> </tr> </tbody> </table>		<u>Part</u>	<u>Each</u>	<i>1 Pint Can</i>	ADH047	\$27.00	<i>1 Quart Can</i>	ADH048	\$44.00	<p>Will remove light buildup of rust inside of all tanks and will etch the inside of the tank leaving a gray phosphate coating.</p>  <p style="text-align: center;"><i>1 Pint Bottle</i> ADH049 \$20.00</p>	<p>One ounce will keep 3 gallons of fuel fresh for at least 3 years. Contains no alcohol; will not harm metal or rubber parts. Unlimited shelf life, great for 2 and 4-cycle engines.</p>  <p style="text-align: center;"><i>1 Quart Bottle</i> PRO027 \$23.00</p>					
		<u>Part</u>	<u>Each</u>														
	<i>1 Pint Can</i>	ADH047	\$27.00														
<i>1 Quart Can</i>	ADH048	\$44.00															
High Temperature Exhaust & Manifold Paint	Super Black Chassis Paint																
 <p>These finishes will withstand temperatures up to 2000°F.</p> <table style="margin-left: auto; margin-right: auto;"> <thead> <tr> <th></th> <th style="text-align: center;"><u>Part</u></th> <th style="text-align: center;"><u>Each</u></th> </tr> </thead> <tbody> <tr> <td style="text-align: center;"><i>16oz Bright Aluminum Aerosol</i></td> <td style="text-align: center;">PRO036</td> <td style="text-align: center;">\$30.00</td> </tr> <tr> <td style="text-align: center;"><i>1 pint Bright Aluminum can</i></td> <td style="text-align: center;">PRO035</td> <td style="text-align: center;">\$33.00</td> </tr> <tr> <td style="text-align: center;"><i>16oz Black Aerosol</i></td> <td style="text-align: center;">PRO038</td> <td style="text-align: center;">\$29.00</td> </tr> <tr> <td style="text-align: center;"><i>1 Pint Black Can</i></td> <td style="text-align: center;">PRO037</td> <td style="text-align: center;">\$35.00</td> </tr> </tbody> </table>		<u>Part</u>	<u>Each</u>	<i>16oz Bright Aluminum Aerosol</i>	PRO036	\$30.00	<i>1 pint Bright Aluminum can</i>	PRO035	\$33.00	<i>16oz Black Aerosol</i>	PRO038	\$29.00	<i>1 Pint Black Can</i>	PRO037	\$35.00	  <p>High-quality semi gloss paint. Excellent for engine compartments and chassis.</p> <p style="text-align: center;"><i>16 oz Aerosol</i> PRO032 \$26.00</p>	
	<u>Part</u>	<u>Each</u>															
<i>16oz Bright Aluminum Aerosol</i>	PRO036	\$30.00															
<i>1 pint Bright Aluminum can</i>	PRO035	\$33.00															
<i>16oz Black Aerosol</i>	PRO038	\$29.00															
<i>1 Pint Black Can</i>	PRO037	\$35.00															

info@RestorationStuff.com
www.RestorationStuff.com - Order online anytime!

"The Right Stuff!"
- 60 -

Phone: 1-800-306-7008
Fax: 1-760-739-8843

Restoration Supply Company

West System Epoxy Wood Filler/Sealer



WEST SYSTEM epoxy is a high-quality, two-part epoxy formulated and manufactured by Gougeon Brothers, Inc. It bonds to fiberglass, wood, metal, fabrics, and other composite materials and is easily modified for a wide range of coating and adhesive applications. It is used for construction and repairs requiring superior moisture resistance and high-strength, and is especially suited for marine applications. Cures at room temperature. Pot life, 9-12 min. Working time, 60-70 min. Cure to solid, 6-8 hours.

When fully cured, it sands to a fine white powder.

WEST SYSTEM products provide a complete system of epoxy resin and hardeners, dispensers, fillers, additives, reinforcing materials, application tools and instructional publications. We stock the resin (#105) in quart containers and the most common hardener (#205). In addition to the epoxy, we stock the high density filler (#404) which we use when a thicker consistency is required. We also stock the metering pumps which work great! All other WEST SYSTEM products and sizes are available through Restoration Supply Company upon request. Mix ratio 5:1.

	<u>Part</u>	<u>Each</u>		<u>Part</u>	<u>Each</u>
Resin #105, 1 Quart	ADH008	\$50.00	Hardener #205, for 1 Gallon Resin	ADH012	\$57.00
Resin #105, 1 Gallon	ADH011	\$140.00	Hardener #205, for 1 Quart Resin	ADH009	\$28.00
Metering Pump	ADH007	\$25.00	Filler #404, High Density, 15.3oz	ADH010	\$22.00

Smith and Company



Warm Weather Formula	Pot life	4 Hours	8 Hours	16 Hours	Use Cold Weather Formula
	Full cure	2 Days	4 Days	8 Days	
86F / 30C 68F / 20C 50F / 10C 32F / 0C					
Use Warm Weather Formula	Pot life	2 Hours	4 Hours	8 Hours	Cold Weather Formula
	Full cure	2 Days	2 Days	4 Days	

Clear Penetrating Epoxy Sealer (CPES) is the best stuff we have found to seal wood and leave it ready to fill and paint.

This stuff is great! This is the first coat on all of our wood. It has a long pot life, you can brush it on, roll it on, soup it on, or even spray it on your wood.

Clear Penetrating Epoxy Sealer (CPES) (Multiwood Prime) consists of a tough, flexible resin system in a solvent blend which dissolves the sap, oil and moisture found in wood. The resin system is derived from natural wood resin and develops a chemical bond to the wood fibers themselves. The wood is strengthened while allowing normal expansion and contractions with changes in temperature and humidity.

Mix ratio 1:1.

When repairing wood that has mild dry rot, the CPES will migrate along the abnormal porosity which dry rot fungus creates within the wood, as long as it continues to be fed in. Impregnation of wood with CPES changes the cellulose of wood (which fungi and bacteria find tasty and easily digestible) into epoxy-impregnated cellulose which resists further attack by fungi and bacteria while reinforcing the wood, accomplishing restoration. Paint or varnish will last longer because the paint has a strongly attached, chemically compatible surface to bond to. We stock the warm weather formula in various sizes, but we can quickly provide the cold weather formula or any size container you wish.

	<u>Part</u>	<u>Each</u>	<u>Fill-it</u>
CPES, Warm Weather 2 Pint Kit	ADH025	\$50.00	Fill-it is a high strength flexible epoxy filler.
CPES, Warm Weather 2 Quart Kit	ADH026	\$90.00	Will cure down to 28 degrees.
CPES, Warm Weather 2 Gallon Kit	ADH027	\$270.00	12 Oz. Kit ADH030 \$32.00

Sealers & Epoxies

info@RestorationStuff.com

www.RestorationStuff.com - Order online anytime!

"The Right Stuff!"

- 61 -

Phone: 1-800-306-7008

Fax: 1-760-739-8843

Restoration Supply Company

Motometers



Motometers with die cast housings, original Boyce plate, beveled glass lenses, special glass tube thermometers, brass threaded mounting stem and stamped wreath or plain rims. By special order, you may substitute a specific emblem instead of the Boyce plate for an additional \$10. (Please specify emblem # when ordering.)

Brass	Stamped Wreath	Junior	Part	Each	Chrome	Stamped Wreath	Junior	Part	Each
	Stamped Wreath	Senior	ACC019	\$63.00		Stamped Wreath	Senior	ACC045	\$72.00
	Plain	Junior	ACC020	\$100.00		Stamped Wreath	Senior	ACC023	\$100.00
			ACC030	\$63.00		Plain	Junior	ACC029	\$72.00

Mini Emblems — ACC104 7.00 Each

Limited availability - Call to check stock.

1. Ajax 6	51. Cole Script	107. Ford V-8 Round	158. Little	208. Paige	252. Stearns
2. American Austin	52. Columbia	108. Franklin	159. Little Script	209. Paige S	253. Sterns Knight
4. American Locomotive	53. Cobra	109. Franklin Round	160. Locomobile	210. Panhard	254. Stephens
5. American Motors Ind.	54. Cord	110. Franklin Script	161. Locomobile Script	211. Peerless	255. Sterling Script
6. American Motors NY	55. Crestmobile Script	111. Frazier	162. Lozier	212. Peerless Wing Oval	256. Stevens Duryea
7. Anderson	57. Crow Elkhart	112. Gardner	163. Lozier Script	213. Peerless Wing Round	257. Stoddard Dayton
8. Anderson Detroit	58. Cunningham	113. GMC	164. Marmont	214. Peerless Script	258. Stoddard Dayton Script
9. Apperson Auto Co.	59. Cutting Script	114. GMC Truck	165. Marmon Roosevelt	215. Pierce Arrow	259. Stop Sign Red
10. Auburn	60. Daimler	115. Graham	166. Marquette	216. Pierce 8	260. Studebaker
11. Austin The Highway King	61. Dairs Script	116. Graham Brothers	167. Maxwell	217. Pierce 12	262. Studebaker USA
12. Autocar Script	62. DeSoto Crest	117. Graham Paige	168. Maxwell Script	218. Pierce Script	263. Studebaker Script
13. Avanti Script	63. DeSoto Shield	118. Gray	169. Mercedes-Benz Script	219. Pittsburgh Six Script	266. Stutz 8
14. Buick	64. DeSoto Script	120. Harley Davidson No.1	170. Mercer	220. Plymouth	267. Thomas Flyer
15. Bentley	65. De Vaux	121. Harley Davidson Wing	171. Mercer Trenton N.J.	221. Plymouth Shield Black	268. Tourist S
16. Bentley Script	66. Diana	122. Haynes	172. Mercer Script	222. Plymouth Shield Red	270. Tucker
17. Black Crow Script	68. Doble Script	123. Henderson-Excelsior	173. Mercury	223. Pontiac	271. Vauxhall
18. Buffalo	71. Dodge Sv.	124. Henry J.S.	174. Metz 6	224. Pontiac Indian Head	272. Velie
19. Bugatti	72. Dodge S	125. Hispano Suiza	175. Metz Script	225. Pontiac 6 Script	273. Velie Script
21. Buick Canada	73. Dorr	127. Hudson Super Six	176. Minerva	226. Pope Hartford Script	275. White S
22. Buick Round	74. Dover	128. Hudson 8	177. Minerva Script	227. Premier	276. Wills St. Clair
23. Buick Script	75. Duesenberg	129. Hudson S	178. Mitchell	228. Premier Script	277. Willys Knight
24. Buick Valve In Head	76. Duesenberg Round	130. Hupmobile	179. Mitchell Script	229. Rambler Script	278. Willys Knight Oval
25. Cadillac	78. Duesenberg Wing	132. Hupmobile Script	180. Moon Blue	230. REO	279. Willys Knight Red
26. Cadillac Black	81. Edsel	134. Isotta Fraschini	181. Moon Red	231. REO Script	280. Willys Knight Round
27. Cadillac Blue	82. El Car	135. Jackson	182. Moon Rectangle	232. REO Crest	281. Willys Rectangle
28. Cadillac Red	83. Elgin	136. Jaxon S	183. Moon Script	233. REO Wing	282. Willys 6
30. Cadillac V-8	84. E.M.F.	137. Jeffery	184. Mustang Black	234. REO Speedwagon	283. Winton 6
31. Cadillac V-12	85. E.M.F. S	138. Jewett	185. Mustang Yellow	236. Rickenbacker Rectangle	284. Willard
32. Cadillac V-16	86. Erskine	140. Kaiser	187. Nash 6	237. Rockne	285. Yield Sign
33. Case	88. Essex Super 6	141. King	188. National S	238. Rollin	
35. Chadwick Script	89. Essex Terraplane 6	142. Kisselkar	190. Oakland Gold	239. Rolls Royce Black	
36. Chandler 6	90. Essex Terraplane 8	143. Knox Script	193. Oldsmobile Rocket	240. Rolls Royce Red	
37. Chalmers	91. Falcon Knight	144. Krit	194. Oldsmobile 88 Rocket	241. Rolls Royce S	
38. Chalmers Script	92. Ferrari	145. Krit Script	195. Oldsmobile Script	242. Roosevelt	
39. Checker Script	93. Fiat S	146. LaSalle	196. Oldsmobile World	243. Roston	
40. Chevrolet	94. Firestone Columbus	147. LaSalle Script	197. Overland	244. Saxon	
43. Chevrolet Copper Cooled	95. Flanders E.M.F.	148. LaSalle Emblem	198. Overland S	245. Schacht Script	
44. Chevrolet Script	96. Flanders 20 Script	149. Lafayette	200. Packard	246. Scripps Booth	
45. Chrysler	97. Flanders Motor Co	150. Liberty	201. Packard Round	247. Simplex Script	
46. Chrysler 300	100. Ford Anglia	151. Lincoln Ford Motor Co.	203. Packard Super 8	248. Speedwell Script	
47. Chrysler Imperial	101. Ford Cortina	152. Lincoln Oval Red	204. Packard Twin 6	249. Stanley	
48. Chrysler Script	102. Ford Restorer	153. Lincoln Oval Blue	205. Packard Std. 8	250. Stanley S	
49. Cleveland	105. Ford V-8 Cutout (S)	154. Lincoln Continental	206. Packard 12	251. Star	
50. Cole	106. Ford V-8 Cutout (L)	157. Lincoln Zephyr	207. Packard 120		



Approximate Actual Size

E-mail us for emblem pictures info@RestorationStuff.com

Motometer Emblems

Motometer Accessories

Motometer Repair Kit

[2 beveled lenses (Jr. dia. 1-11/16", Sr. dia. -2-5/16"),
2 die cut gaskets, and 8 brass or stainless screws.

Brass	Part	Each	Chrome	Part	Each
Junior	ACC068	\$15.00	Junior	ACC069	\$17.00
Senior	ACC070	\$20.00	Senior	ACC071	\$20.00

Boyce Dials Only



Part	Each
Junior 1-5/8" Dia.	ACC112 \$16.00
Senior 1-7/8" Dia.	ACC113 \$22.00

Washers and Nut



Part	Each
Senior Motometer	ACC170 \$2.00
Junior Motometer	ACC159 \$2.00



Senior Motometer	ACC171 \$2.00
Junior Motometer	ACC158 \$2.00

Dog Bone

Junior
6-1/4 overall length
2" x18 external thread

Brass	ACC090	\$45.00
Chrome	ACC078	\$45.00



Senior
8" overall length
2"x18 internal thread
Brass ACC091 \$61.00
Chrome ACC077 \$60.00

Brass Radiator Cap-Ext. Thread

2" Drilled hex cap, 1-31/32" dia. male thread.



Polished Brass ACC190 \$22.00 Chrome ACC191 \$22.00

Wings

Fits Junior not Senior



Brass	ACC022	\$29.00	7-3/4" tip to tip	Chrome	ACC031	\$36.00
-------	--------	---------	-------------------	--------	--------	---------

Senior Thermometer

Comes with a nut and gasket. Junior size is not available.



Total length 5"
Threaded diameter 0.62"
Threads per inch 5/8-18"
Length of thermometer 3"

ACC073 \$45.00

info@RestorationStuff.com

www.RestorationStuff.com - Order online anytime!

"The Right Stuff!"

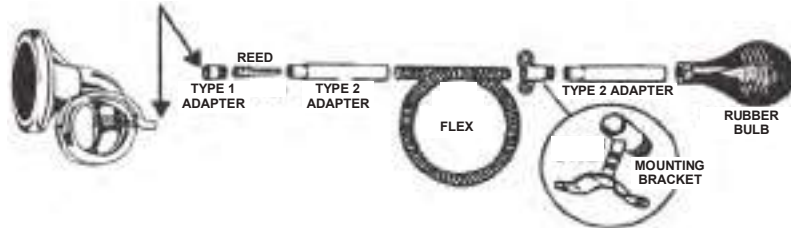
- 62 -

Phone: 1-800-306-7008

Fax: 1-760-739-8843

Restoration Supply Company

Bulb Horn Parts



		<u>Part</u>	<u>Price</u>
Adapter	Type 1 short brass threaded adapter designed to hold the reed. One end solders to the horn; the other end screws into the #2 adapter. Thread size: 5/8-32.	ACC008	\$12.00
Adapter	Type 2 long brass threaded adapter designed to cover the reed and/or connect the bulb to the mounting bracket. Thread size: 5/8-32 OD: .685.	ACC009	\$18.00
Tubing	5/8" flexible tubing; the correct square lock type and inter wound with cord to make it airtight. (It also makes a good speedometer drive housing.) It fits inside #2 adapter and #4 bracket. Sold by the foot.	<i>Brass</i> FLX005 <i>German Silver</i> FLX014	\$16.00 \$17.00
Bracket	Mounting bracket designed to mount the horn bulb to almost any place on the car. It accepts the flexible tubing on one side, and it threads to #2 adapter on the other.	ACC010	\$25.00
Reed	The horn reed is threaded and is designed to screw into adapter #1. It may also be inserted into an original horn that uses tapered reeds. Thread size: .525-32.	<i>Tuned Reed</i> ACC001	\$20.00
Bulb	Black rubber horn bulb, complete with brass ferrule, ready for mounting. Extra large bulb has small neck and is a better match to original. All horn bulbs fit the long adapter, ACC009.		

<u>Bulb</u>	<u>Throat</u>	<u>Neck Dia.</u>	<u>Bulb Dia.</u>	<u>Overall Length</u>	<u>Part</u>	<u>Each</u>
Extra small	11/16"	7/8"	2-7/8"	3-3/4"	RUB014	\$27.00
Small	11/16"	7/8"	3-1/4"	5"	RUB016	\$25.00
Large	11/16"	1-5/8"	4-1/4"	6-1/2"	RUB008	\$33.00
Extra large	11/16"	1-5/16"	4-1/2"	6-1/2"	RUB013	\$45.00 Early-style small neck



Horns

Restoration Supply Company

Gloves, Helmets, & Goggles



These classic vintage styled goggles are a must for the serious motorist. Authentically styled, these leather goggles are hand crafted and feature a comfortable, high-quality soft leather face mask. They have adjustable head straps and nose bridges, anti-fog vents and replaceable, ANSI rated safety glass lenses. Available in the traditional angled lenses and with newer curved lenses.
Can also be worn over some small eye glasses.

Goggles

Imported from England

		<i>Part</i>	<i>Each</i>
Angled Lenses	Black Leather polished Chrome frame	ACC043	\$130.00
	Black Leather w/polished Brass frame	ACC041	\$130.00
	Brown Leather w/polished Chrome	ACC101	\$130.00
	Brown Leather w/polished Brass	ACC042	\$150.00
	Black Leather w/painted Silver	ACC044	\$130.00
	Brown Leather w/painted Silver	ACC044BR	\$130.00
	Replacement -Clear Lenses	ACC064	\$52.00
	Replacement -Tinted Lenses	ACC065	\$52.00
Curved Lenses	Black Leather w/polished Chrome	ACC132	\$115.00
	Brown Leather w/polished Chrome	ACC133	\$115.00
	Black Leather w/painted Black	ACC155	\$115.00
	Black Replacement Strap	ACC050	\$15.00
	Brown Replacement Strap	ACC050A	\$15.00

Leather Helmet

Imported from England

Worn by early intrepid flyers and men of speed, these authentically styled aviator helmets are made from high quality soft leather. They have chin straps, flap air vents over the ears and cotton lining for comfort in all types of weather.

Head Size	Inches	Black <i>Part</i>	Brown <i>Part</i>	<i>Each</i>
Sm	6-1/8 to 6-1/2	ACC061	ACC062	\$150
Med	6-5/8 to 7	ACC063	ACC052	\$150
Lg	7-1/8 to 7-1/2	ACC046	ACC048	\$150
XL	7-5/8 to 8	ACC047	ACC049	\$150



Cotton Helmet

Imported from England

This helmet is made of lightweight cotton and is white. It is great for keeping the ladies comfortable and stylish while they enjoy the beauty of touring in an open car.

	<i>Part</i>	<i>Each</i>
White Cotton Helmet, Small	ACC151	\$92.00
White Cotton Helmet, Medium	ACC152	\$92.00
White Cotton Helmet, Large	ACC153	\$92.00
White Cotton Helmet, XL	ACC154	\$92.00

Gauntlets

Imported from England

Leather, lined, full-length Gauntlets. Made from the same top quality leather as the helmets.



		<i>Part</i>	<i>Per Pair</i>
Black Leather	Large	ACC119	\$150
Black Leather	Extra Large	ACC120	\$150
Brown Leather	Large	ACC121	\$150
Brown Leather	Extra Large	ACC122	\$150

Gauntlets, Helmets and goggles imported from England. Prices may vary due to fluctuations in pound/dollar exchange rate.

info@RestorationStuff.com

www.RestorationStuff.com - Order online anytime!

"The Right Stuff!"

- 64 -

Phone: 1-800-306-7008

Fax: 1-760-739-8843

Restoration Supply Company

PREST-O-LITE Tank Decal



PREST-O-LITE

Two piece set of colored decals for Prest-o-Lite tank. Presto-Lite name is printed on 1 decal, tank data on the other; very authentic reproduction.

	<u>Part</u>	<u>Each</u>
Copper	ACC035	\$25.00
Silver	ACC074	\$25.00

Bosch "A" Coil Decal



Wraps around the body of the "A" Coil

ELE255 \$20.00

Scripps Nameplate



Correct name plates for Scripps 6 & 12 cylinder marine engines. 3-1/2" wide - 2" tall 1-1/4" hole centers.

White with Red ACC054-W \$50.00

Boa Constrictor Nameplate



These are correct oval reproductions of originals. 7/8" long
Brass ACC028 \$25.00

Chris Craft Nameplate



4" Wide - 1-7/8" Tall - 3-1/2" Hole Centers.

ACC174 \$90.00



Lucas Emblem

Chrome
Imported from
England

<u>Dia.</u>	<u>Part</u>	<u>Each</u>
9/16"	ACC003	\$12.00
5/8"	ACC004	\$14.00
13/16"	ACC027	\$31.00
1-1/8"	ACC006	\$12.00

Dunlop Emblems



Round 2-1/4" Dia.
Oblong 2" x 7/8"

<u>Part</u>	<u>Each</u>
ACC076	\$40.00
ACC075	\$40.00

Owners Nameplate



Stamp your info on this owners plate.
4-1/2" wide x 2-1/2" tall.

ACC089 \$7.00

Step Plate Emblems



Sizes range from 1-1/2" to 4-1/2"

Buick	Ford	Overland
Chevrolet	Haynes	Paige
Chrysler	Hudson	Plymouth
Dodge Brothers	Hupmobile	Reo
E.M.F.	Moon	Velie



ACC103 \$25.00 Each

Step Plate



Replacement Pad

Step Plate and Replacement Rubber Padding

Die cast polished aluminum with black ribbed rubber insert.
Has small hole in toe plate for an emblem.

Step Plate size: 8" x 11-5/8" Replacement Pad size: 7 1/2" x 11-1/2"

	<u>Part</u>	<u>Per Pair</u>
Step Plates	ACC086	\$80.00
Install kit	ACC087	\$5.00
Replacement pads	ACC088	\$25.00

License Plate Frames

1929 / 39



ACC115 \$21.00 Each

Early Style, chrome plated stamped steel.
6-1/2" x 14-1/4" overall,
holes are 5-1/8" x 7-3/4"
center to center.

1949 / 55



ACC114 \$21.00 Each

info@RestorationStuff.com
www.RestorationStuff.com - Order online anytime!

"The Right Stuff!"

- 65 -

Phone: 1-800-306-7008
Fax: 1-760-739-8843

Emblems & Decals

Step Plates & Emblems

License Plate Frames

Restoration Supply Company



1914 Mercedes Lautenschlager

Though a century has passed since the great cars thundered through the small villages and traversed the undulating countryside gravel roads of France, echoes of the momentous race still ring today. Climb aboard and experience the thrills and vicissitudes of vintage racing as George Wingard pilots you through the circuit of the epic 1914 French Gran Prix. He'll introduce you to the people, cars, and events that set the stage for one of the most important and memorable races in all of history. You'll get to know two of the giants of early auto racing—Germany's Christian Lautenschlager and America's Ralph De Palma—discovering what mettle the racing pioneers were made of. Join the pit crew and see the racing machines at speed and at rest. You'll get a close-up look at the engineering and craftsmanship behind the cars that broke world land speed records in the first decades of the 20th century.

BOO014 \$90.00

Antique Auto Body Book Series for the Restorer

Softbound books which cover extensively all aspects of early automotive restoration. They feature detailed period illustrations and are still some of the best reference books available today.



BOO001
\$21.00

BOO002
\$21.00

BOO003
\$21.00

BOO004
\$24.00

BOO005
\$24.00

BOO006
\$24.00

BOO007
\$24.00

Literature

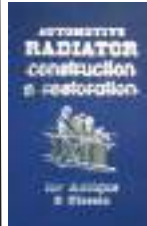
Essentials of Upholstery and Trim



An incredible reference book with a gallery of interior photos of cars from the teens, twenties, and thirties. Even if you're not a trimmer, you can learn about the different period designs.
Softbound

BOO008 \$25.00

Automotive Radiator Construction and Restoration



Includes almost all there is to know about the different types of vintage radiators and cores, how they work (and why they don't) and how they were made and repaired. This book is a must if your pre-war vehicle has a radiator!
Hardbound

BOO009 \$23.00

Model T Owner Supply



This book is simply the best ever published on the unique accessories and speed equipment for "T" Fords. It's been out of print for many years, but is available once again.

BOO011 \$28.00



Life Lines of the Motor Car

Illustrated by Walter Orson MacIlvain

This highly detailed print is 36" x 48".

It outlines the history of the automobile from the late 1800's through 2000. It displays in great detail the evolution of different technologies, the rise and fall of major (and minor) automobile manufacturers.

We have been given permission by his surviving family to reproduce this great piece of artwork so we all can enjoy it and preserve his vast knowledge for generations to come.

We believe it belongs in every shop and enthusiast's garage!

ACC036 \$75.00

info@RestorationStuff.com

www.RestorationStuff.com - Order online anytime!

"The Right Stuff!"

- 66 -

Phone: 1-800-306-7008

Fax: 1-760-739-8843

Restoration Supply Company

Automobile Emblems Restored
with Vitreous [Glass] Enamel
to Concours Standards



KARLA MYA MAXWELL
www.MaxwellEnamels.com
760-941-1966 [CA]

Hartford Friction Shocks

- Hartford Friction Shock Absorbers and Mounting Hardware
- U-bolts and Spring Perch Parts
- Brass Radiator Scripts
- Packard Stainless Hardware and Carb Linkages (1930 to 1940)
- Much More in the Catalog

For More Information Call or E-mail:

Packard Twin Six

Ted Davis Charles Collier
405-948-8763 ext 120 405-948-8763 ext 128
tdavis@packardtwelve.com ccollier@packardtwelve.com
www.packardtwelve.com

PRE-STATE LEATHER LICENSE PLATES



www.leatherplates.com

Steve Hammatt
2110 S 19th St
Mount Vernon WA 98274

360-661-6060
steve@leatherplates.com



"We are most pleased with the leather plate on our 1971 Hudson, Idaho did not issue plates until 1913, so this is most appropriate and looks fantastic. We are very proud to have this on our car."

— Ron & Rena Thurber

WEST COAST METAL SPINNING



Geoffrey (Jeff) Wilson

Quality spinning of all metals to 62" diameter

P.O. Box 497
Coloma, CA 95613

5661 Vineyard Ln.
Placerville, CA 95667
(530) 344-8118 Fax (916) 622-1854
gwilson@wini.com

info@RestorationStuff.com
www.RestorationStuff.com - Order online anytime!

"The Right Stuff!"

- 67 -

Phone: 1-800-306-7008
Fax: 1-760-739-8843

Restoration Supply Company

was formed in response to a need within the restoration industry to have “the Right Stuff” available, and it is our goal to provide quality items which are as correct and authentic as possible. In many cases, we’ve had items manufactured to our specifications in order to closely duplicate originals which no longer exist. We’ve been in the “hands on” restoration business since 1972, and we feel that our product line reflects this experience.

We’ve tried to make our catalog informative and interesting, and we’ve carefully avoided empty “sales pitches.” On the other hand, we have not hesitated to personally recommend products which are particularly outstanding. We use—and stand behind—what we sell.

If you are not satisfied with something you buy from us, please tell us. If you like what you buy, tell a friend! We are constantly adding to our product line. If you need something you don’t find listed, please contact us. We’re here to help and we always welcome your comments and suggestions.

Thank you to all of our friends and customers for your continued support throughout the past 33 years. We hope to continue to locate and offer difficult-to-find parts for many years to come to allow you and future generations to enjoy restoring and driving vintage automobiles. We look forward to many more years of Restoration Stuff and continuing to grow our relationships with friends and customers. Thank you again for your support.

—Allan & Beth Schmidt

HOURS 8 a.m.-3:30 p.m. (PACIFIC TIME) MONDAY-FRIDAY
Fax or e-mail anytime. Order online anytime and we’ll ship the next business day: <https://restorationstuff.com/ecommerce>

ORDERING INFORMATION Orders can be taken by phone, e-mail, website, fax, or U.S. Mail. Please include customer number and phone number on all ordering correspondence.

PAYMENT METHODS Visa, MC, Discover, Prepaid, COD. Money Orders, Personal and Company checks accepted. (Returned check charge: \$30). Payment terms available upon approval. U.S. Funds Only.

PRICES Prices are subject to change without notice. Volume discounts are available on many items.

SALES TAX All California residents will be charged 7.75%.

DOMESTIC SHIPPING Shipping methods are UPS or US Mail. Shipping charges are based on the actual costs plus a nominal handling fee. Orders within the continental U.S. are shipped via ground service unless otherwise requested; additional charge for air delivery. Overpayments will be credited/refunded; shortages will be billed accordingly. Oversized packages engender premium shipping charges. Molding is shipped in heavy-duty cardboard tubes and subject to a shipping premium for handling and cost of tube.

INTERNATIONAL SHIPPING International shipping will be US Postal Service Global Express, whenever possible. See www.USPS.com for shipping requirements.

SHORTAGES Shortages must be reported within 10 days of receipt of merchandise.

SPECIAL ORDER We are happy to assist you in securing special orders. However, inbound freight will be charged. Minimum quantities may apply. Please do not send us stuff to match, create, fix, or restore without discussing it with us first. We cannot be responsible for samples shipped to us for analysis. Special order items are not returnable.

BACK ORDERS Unless otherwise requested, we will ship all parts in stock and subsequently ship backordered items upon their arrival to our shelves.

RETURNS ALL RETURNS REQUIRE PRIOR AUTHORIZATION FROM US. Merchandise must be returned, prepaid, within **60 days** of receipt to receive credit. There is a **20%** restocking fee for returns. Merchandise in saleable condition will be accepted; merchandise that has been used or altered in any way will not be accepted. Items **cut-to-order** are non-refundable. Special order items are not returnable.

WARRANTY All merchandise is sold without warranty, express or implied.

GIFT CERTIFICATES Available upon request.

WE ARE DISTRIBUTORS FOR:
LUBRIPLATE • EVANS COOLANT • PENRITE
AUVECO • MIDWEST ACORN
SMITH & CO • WEST SYSTEMS • ROGERS CO

info@RestorationStuff.com

www.RestorationStuff.com - Order online anytime!

“The Right Stuff!”

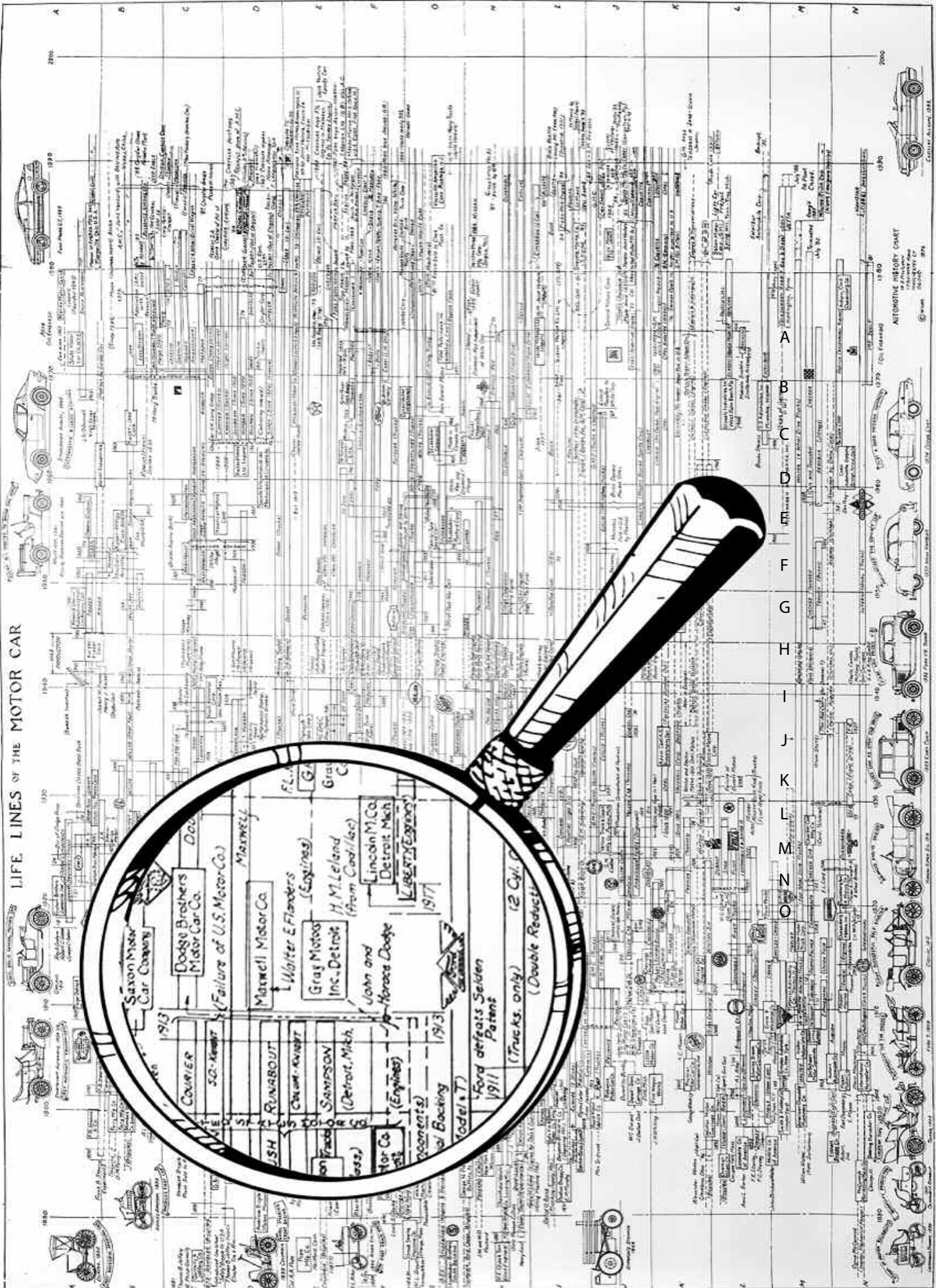
- 68 -

Phone: 1-800-306-7008

Fax: 1-760-739-8843

Life Lines of the Motor Car

LIFE LINES OF THE MOTOR CAR



Automotive History Chart
© 1930
1930





Customer ID

Pictured from L to R Jessica, Jenny, Allan, Beth and Ann.