

ATTENTION:
 ATC IS NOT RESPONSIBLE FOR CLEARANCE OF VEHICLE
 UNTIL CUSTOMER/DEALER COMPLETES VEHICLE CLEARANCE
 FORM AND IS VERIFIED BY ATC ENGINEERING DEPARTMENT.

**DIMENSIONS ARE NOMINAL. STRUCTURAL MEMBERS OFTEN DICTATE
 WHERE INTERIOR FEATURES CAN BE PLACED. CONSEQUENTLY, SOME
 DIMENSIONED ITEMS RETAIN A +/- 2" TOLERANCE. CRITICAL (BUBBLED)
 DIMENSIONS WILL RETAIN A TOLERANCE OF +/- 1/4".**

BOM TABLE				
ITEM NO	PART NO	FILE NAME	DESCRIPTION	QTY
1		AXLE, TORSION	3500# (94-78) 0DEG	2
2		COUPLER, 10K		1
3	13413	D-RING	5000#	4
4		JACK	2,000# SIDE WIND	1
5	33515	LIGHT, DOME	SURFACE MOUNT	3
6		TIRES	225/75/15	4
7		TONGUE COVER		1
8	14626	VENT, SALEM		2
9	41409	WHEEL WELL	7.5" x 12" x 80"	2

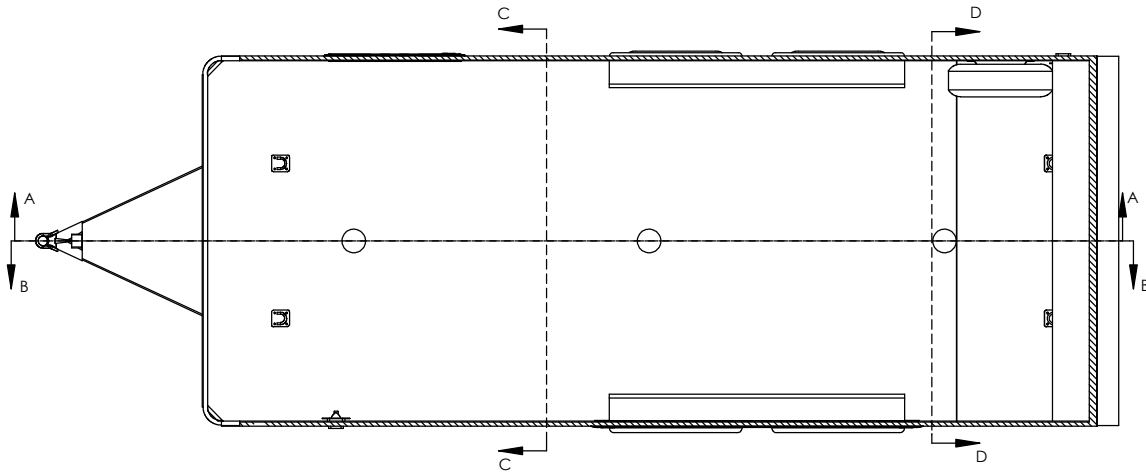
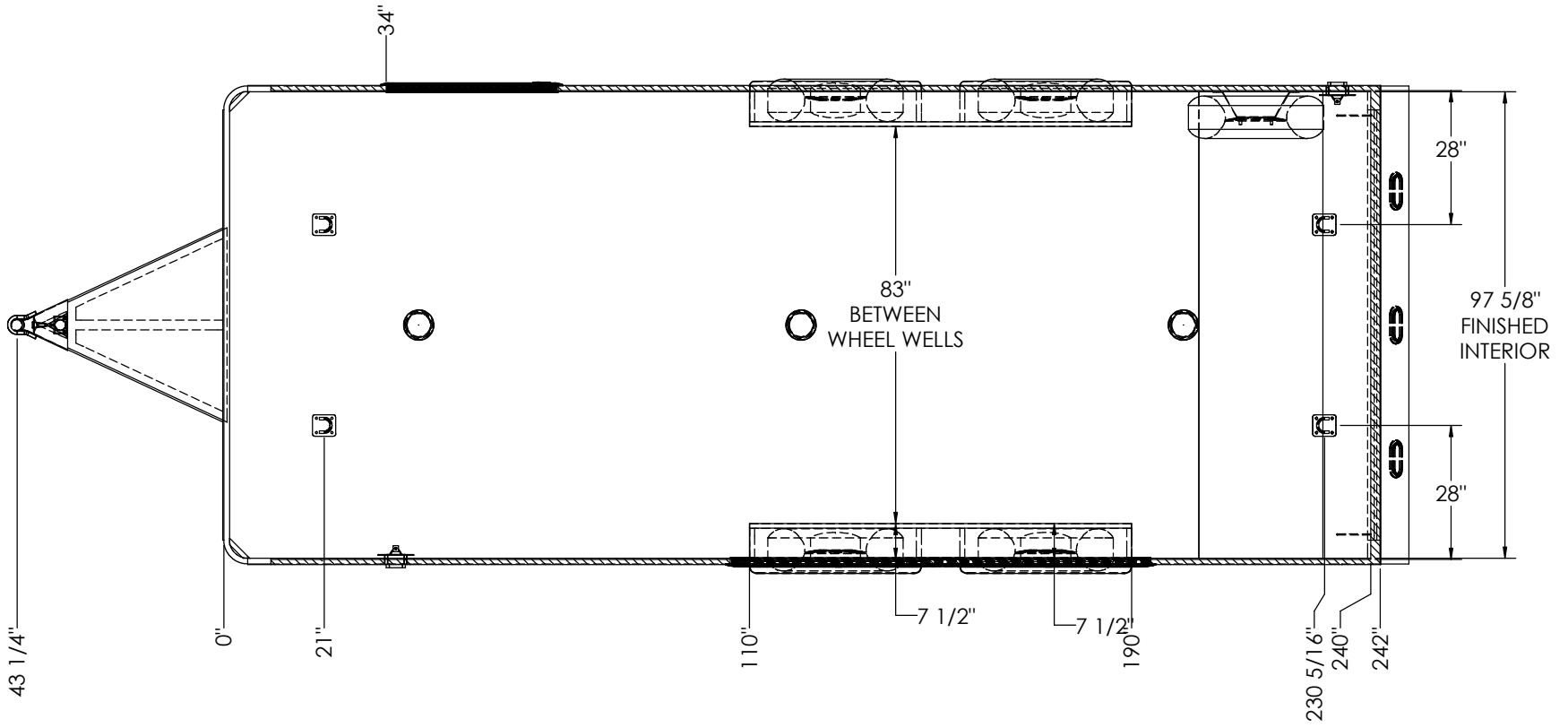
REVISION TABLE			
REV.	DESCRIPTION	DATE	DONE BY
A	REMOVED BATT, SPARE BOX, V NOSE, ADDED SPARE MOUNT AND CAST CORNERS	3/8/2016	GOM
B	ADDED SPARE AND DOME LIGHTS	3/11/2016	GOM


**ALL LOCATIONS ARE NOMINAL UNLESS CRITICAL
 DIMENSIONS ARE SPECIFICALLY NOTED**

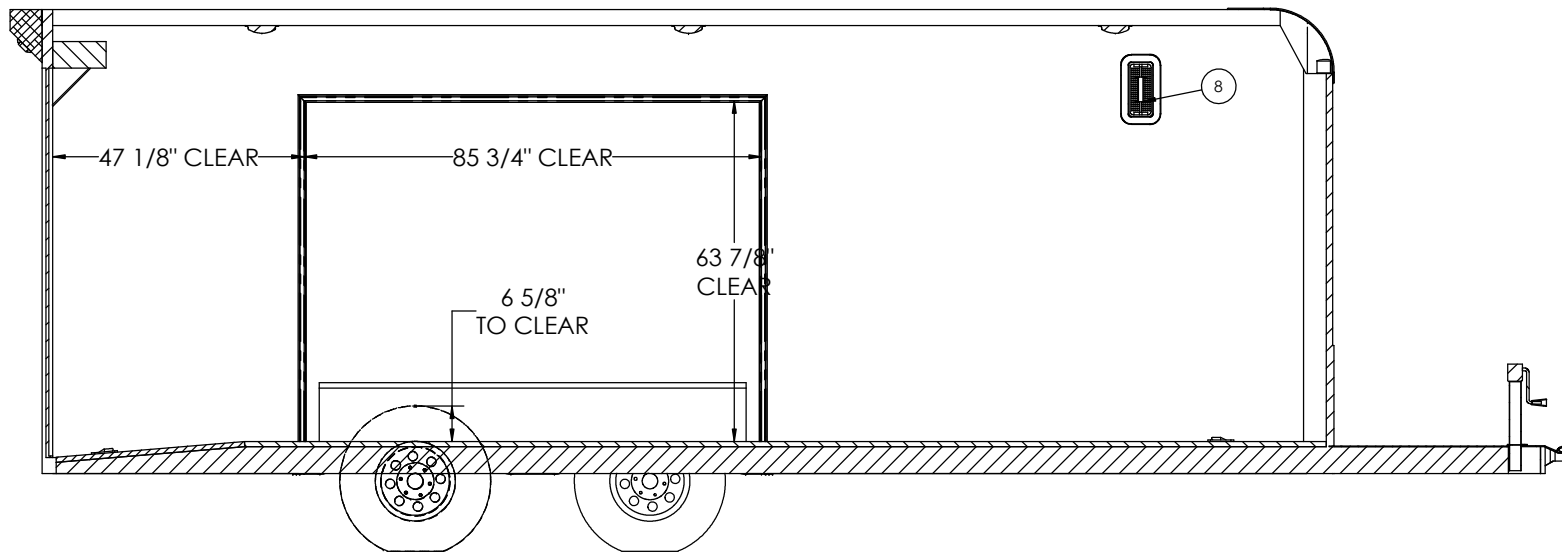
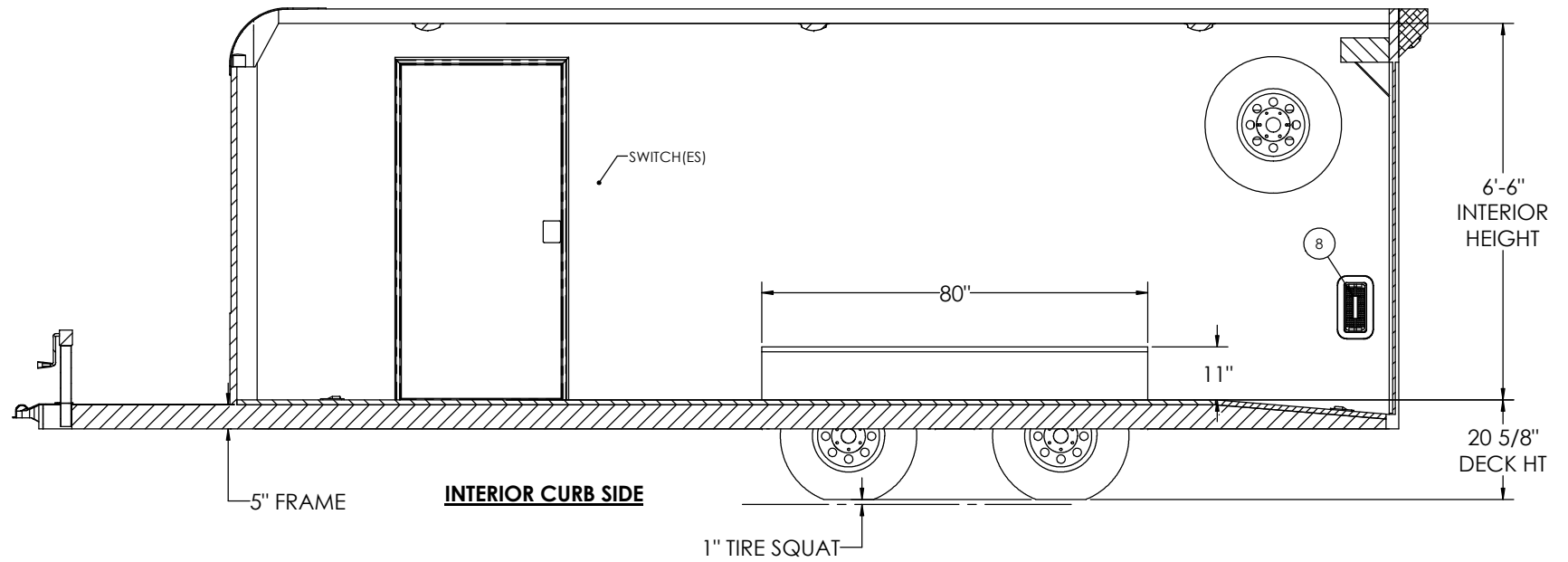
PROPRIETARY AND CONFIDENTIAL:
 THE INFORMATION CONTAINED IN THIS DRAWING IS THE SOLE
 PROPERTY OF THE ALUMINUM TRAILER COMPANY. ANY
 REPRODUCTION IN PART OR AS A WHOLE WITHOUT THE WRITTEN
 PERMISSION OF THE ALUMINUM TRAILER COMPANY IS PROHIBITED.



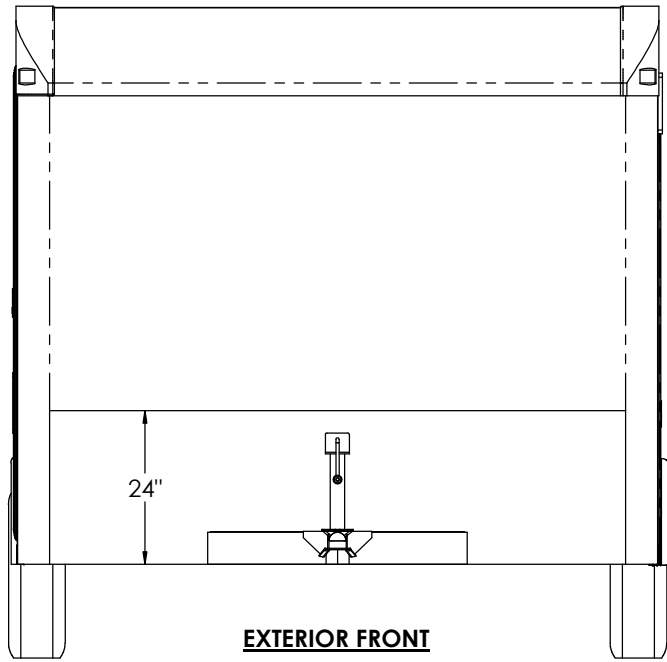
TITLE: 8520+4-2T ALUMINUM			
DRAWN BY: GOM	DATE: 03/03/16	VIN/PART # 203970	REV. B
FILE NAME: DW-BP 8524-Becker-Schacht-203970			
SCALE:1:16	DATE PRINTED: 3/11/2016	SHEET 1 OF 6	



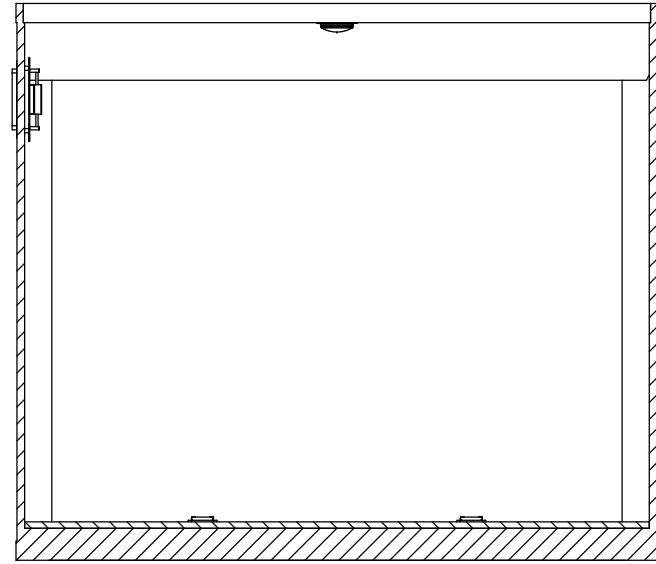
	TITLE: 8520+4-2T ALUMINUM			REV.
	DRAWN BY: GOM	DATE: 03/03/16	VIN/PART # 203970	B
	FILE NAME: DW-BP 8524-Becker-Schacht-203970			
	SCALE: 1:15	DATE PRINTED: 3/11/2016	SHEET 2 OF 6	



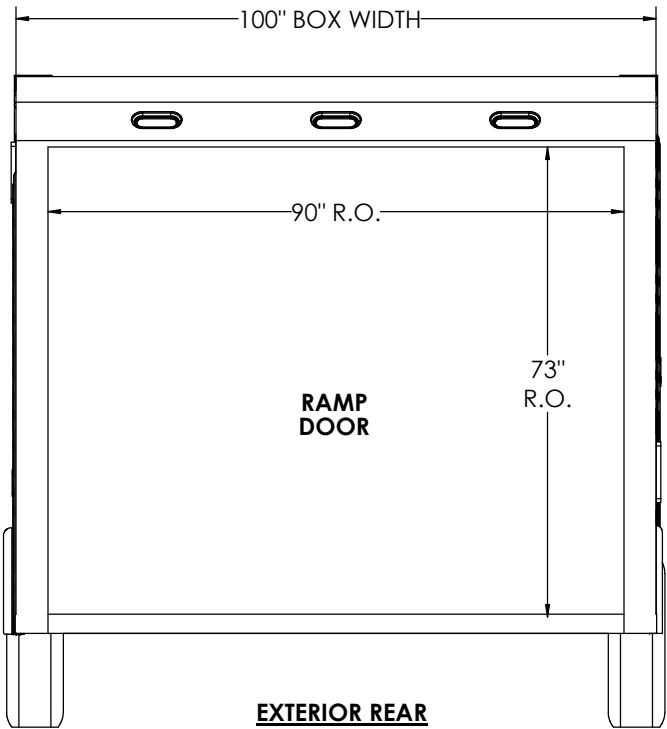
TITLE: 8520+4-2T ALUMINUM			
DRAWN BY: GOM	DATE: 03/03/16	VIN/PART # 203970	REV. B
FILE NAME: DW-BP 8524-Becker-Schacht-203970			
SCALE:1:18	DATE PRINTED: 3/11/2016	SHEET 3 OF 6	



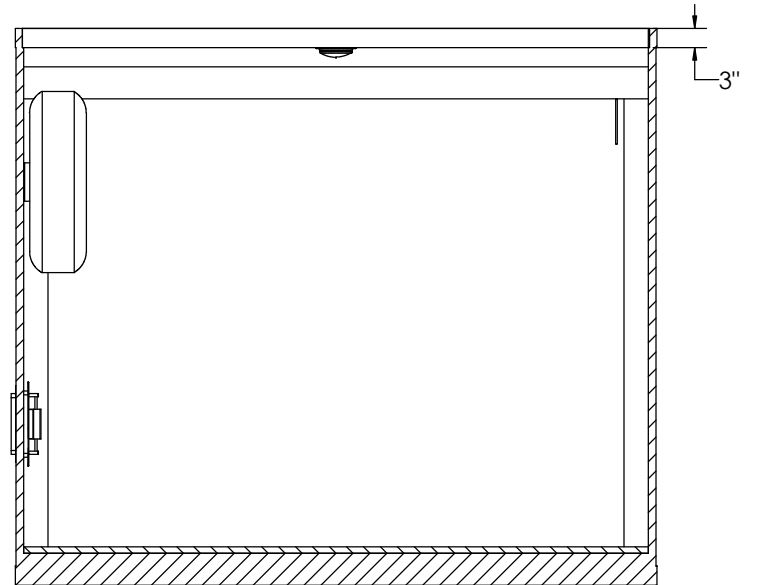
EXTERIOR FRONT




INTERIOR FRONT

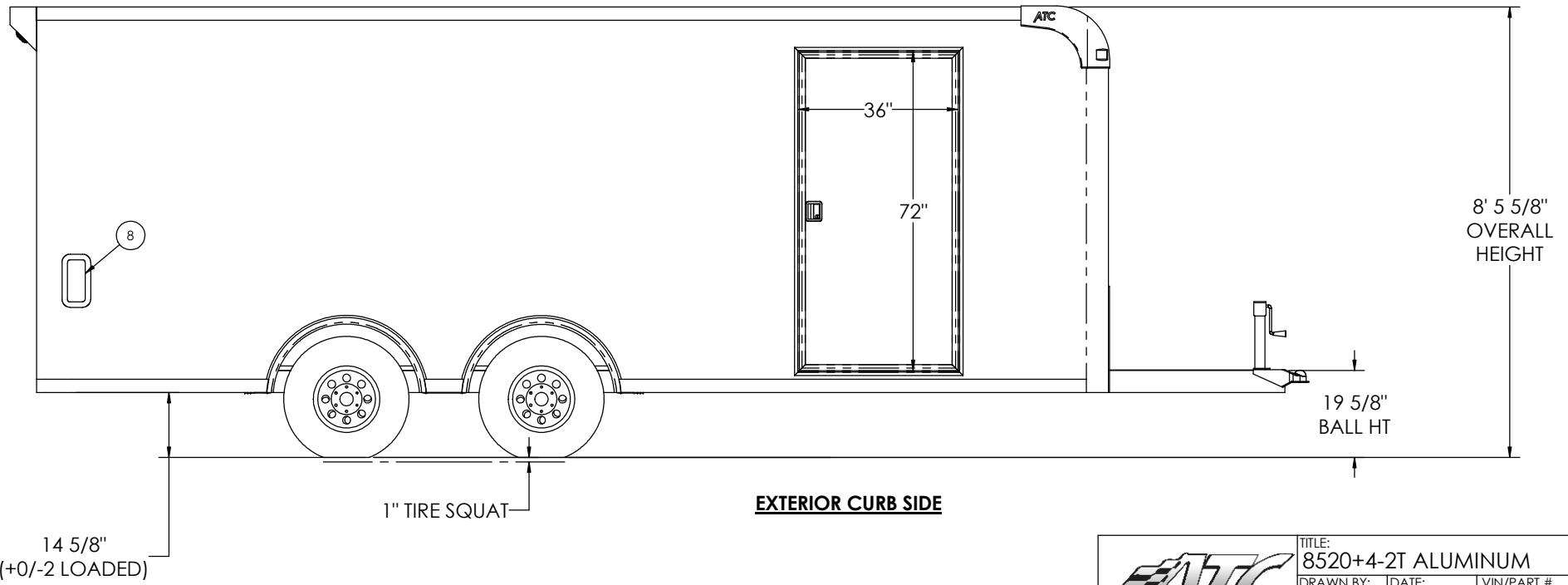
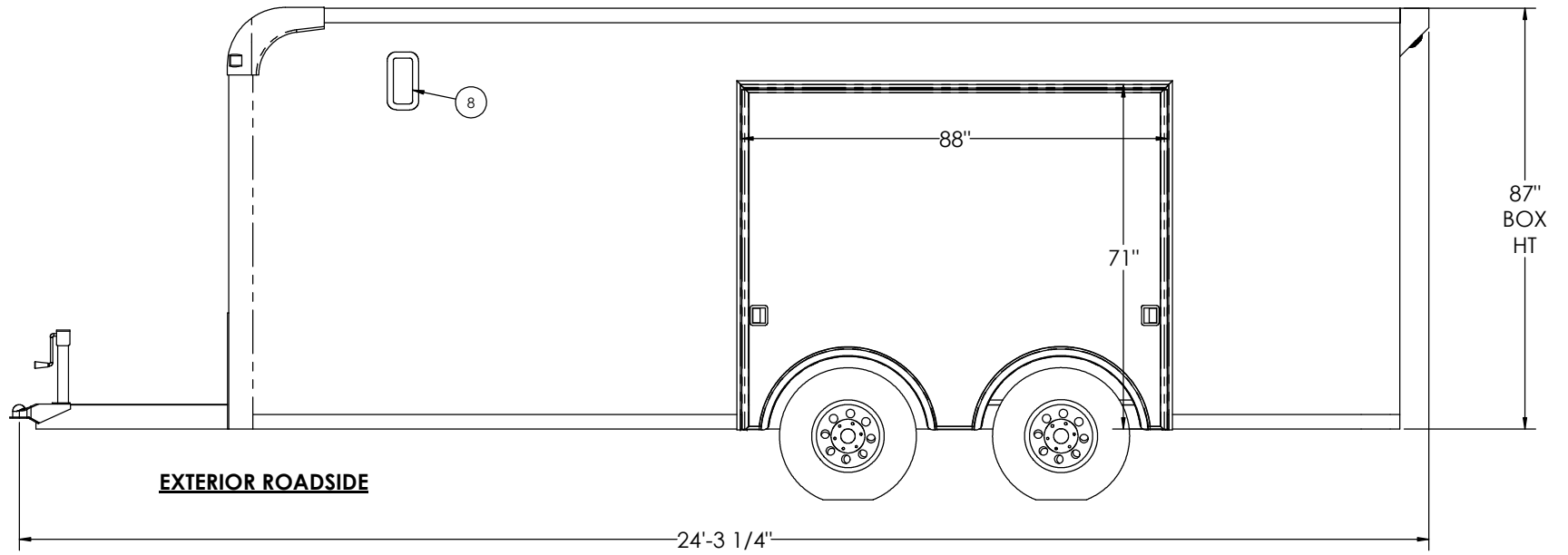


EXTERIOR REAR

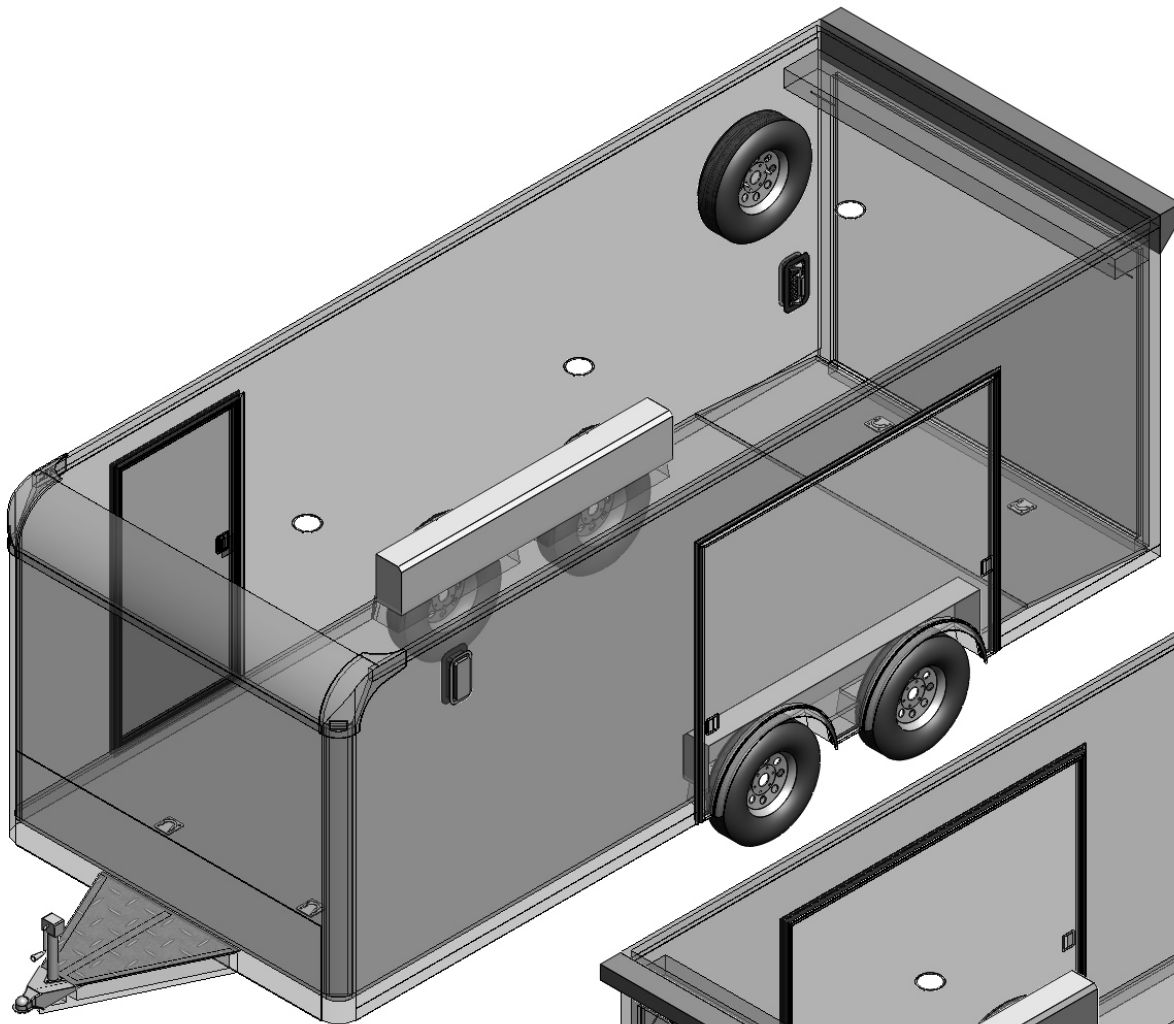


INTERIOR REAR

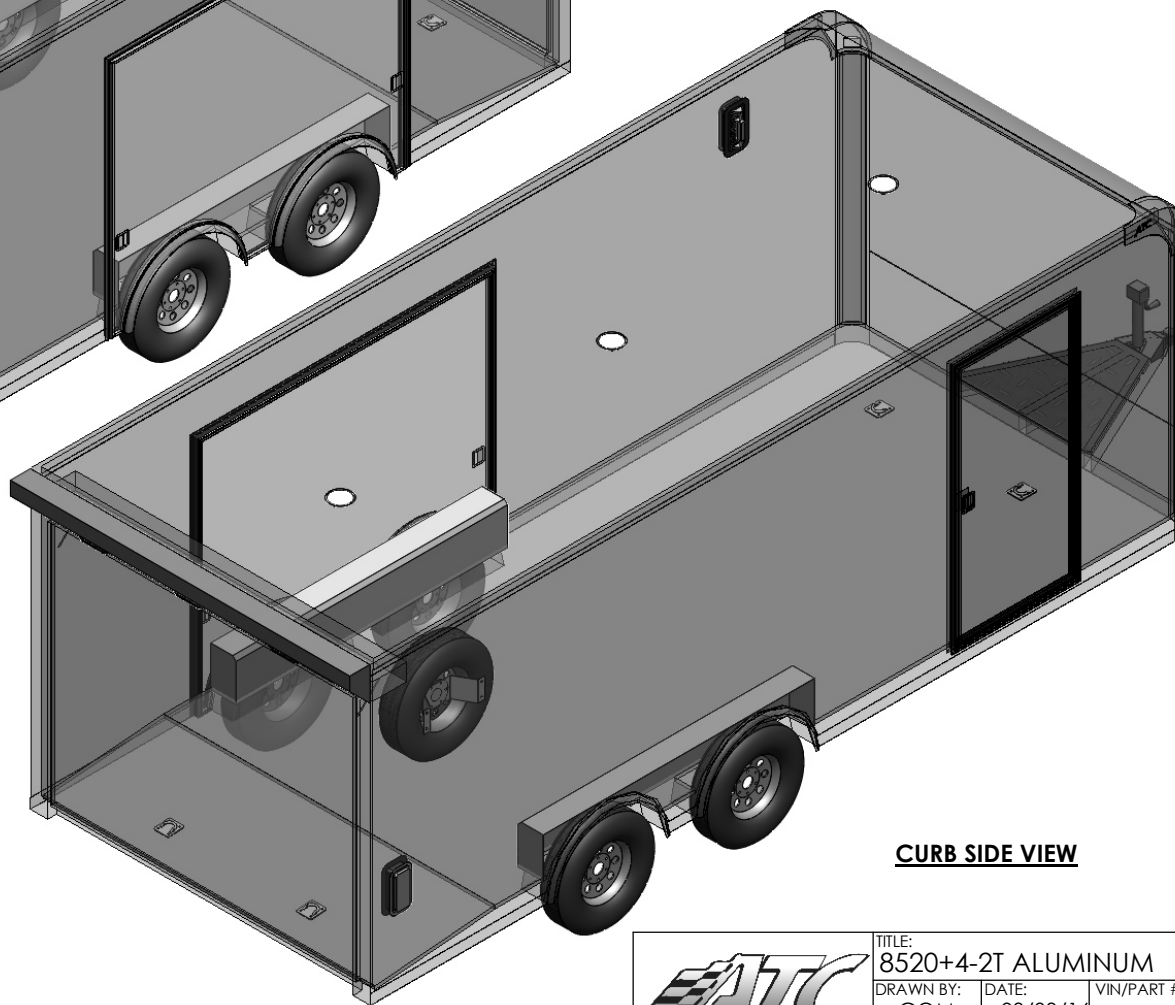
	TITLE: 8520+4-2T ALUMINUM			REV.
	DRAWN BY: GOM	DATE: 03/03/16	VIN/PART # 203970	B
	FILE NAME: DW-BP 8524-Becker-Schacht-203970			
	SCALE: 1:15	DATE PRINTED: 3/11/2016	SHEET 4 OF 6	




TITLE: 8520+4-2T ALUMINUM			
DRAWN BY: GOM	DATE: 03/03/16	VIN/PART # 203970	REV. B
FILE NAME: DW-BP 8524-Becker-Schacht-203970			
SCALE: 1:18	DATE PRINTED: 3/11/2016	SHEET 5 OF 6	



ROAD SIDE VIEW



CURB SIDE VIEW

		TITLE: 8520+4-2T ALUMINUM		REV.:
		DRAWN BY: GOM	DATE: 03/03/16	VIN/PART # 203970
FILE NAME: DW-BP 8524-Becker-Schacht-203970				
SCALE:1:20	DATE PRINTED: 3/11/2016	SHEET 6 OF 6		