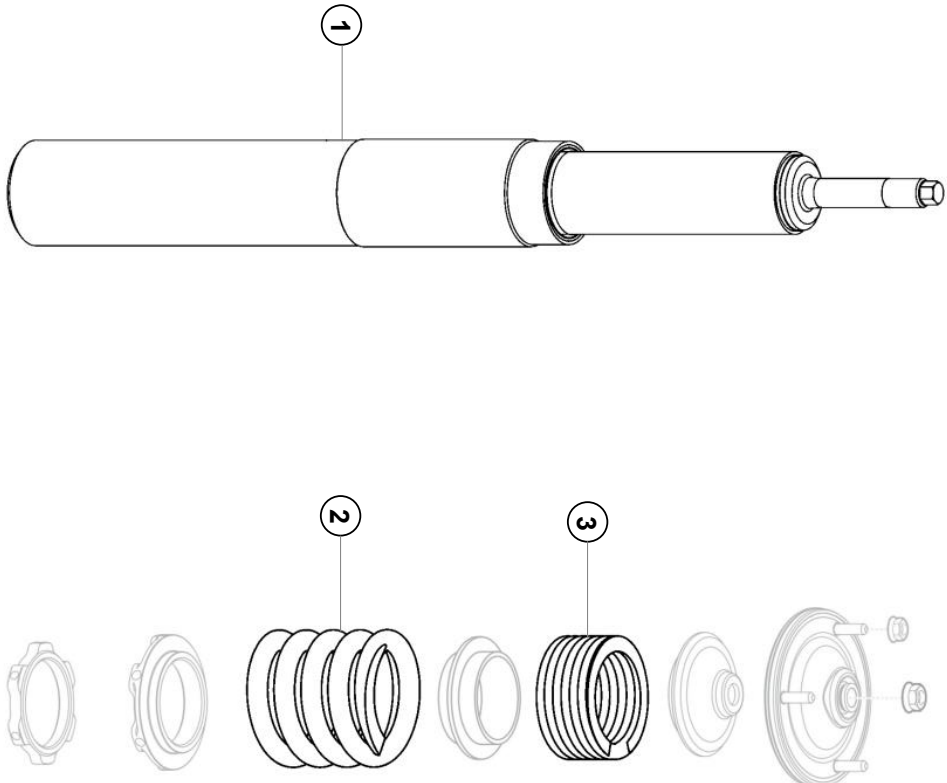


VLN-Trophy

GT4 CS MR

Cayman GT4 Clubsport

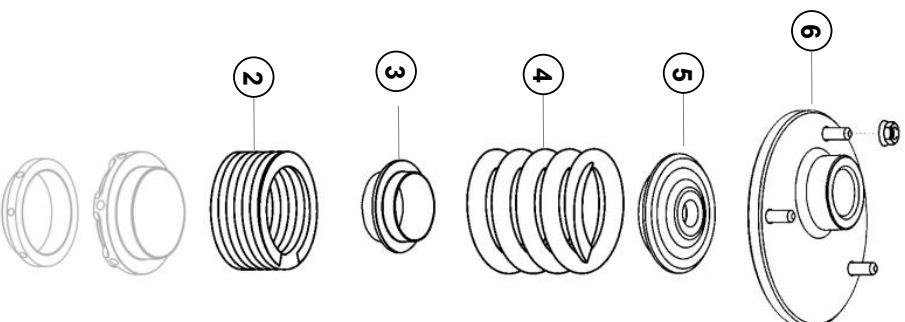
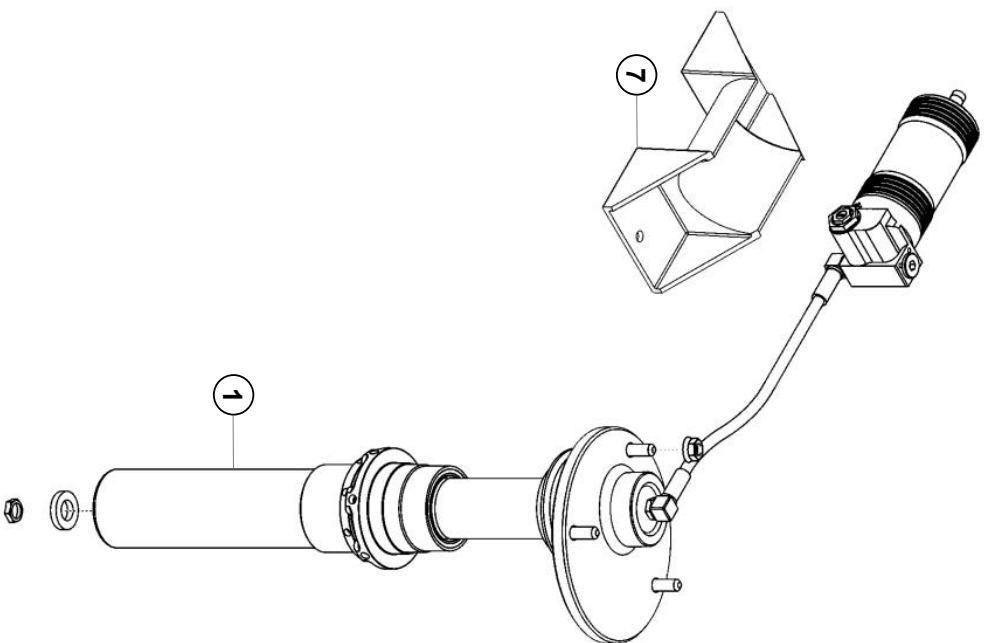
5.1 Federbein hinten (Trophy) suspension strut rear (trophy)



Pos.	Bezeichnung / Description	M	A	Teil Nr. / Part no.
1	DÄMPFER HA (TROPHY-SPEC) SHOCK ABSORBER RA (TROPHY-SPEC)		2	MTH3333051
2	FEDER HA 150-140 (TROPHY-SPEC) COIL SPRING RA 150-140 (TROPHY-SPEC)		2	MTH3333531
2	FEDER HA 120-170 (OPTION) COIL SPRING RA 120-170 (OPTION)		2	MTH333353A
3	HELPER FEDER 10-60-80 AUXILIARY SPRING 10-60-80		2	MTH343538
3	HELPER FEDER 3-60-80 (OPTION) AUXILIARY SPRING 3-60-80 (OPTION)		2	MTH343537A
o.B.	KOMPLETT-KIT TROPHY-SPEC SUSPENSION STRUT TROPHY-SPEC KIT		1	MTH022300

5.1 Federbein hinten GT4 MR 2-Wege

suspension strut rear GT4 MR 2-way



VLN-Trophy		GT4 CS MR		Cayman GT4 Clubsport				
		X		Pos.	Bezeichnung / Description	M	A	Teil Nr. / Part no.
				1	DÄMPFER HA (GT4-SPEC) HR SHOCK ABSORBER RA (GT4-SPEC) RIGHT		1	MTH333060
				1	DÄMPFER HA (GT4-SPEC) HL SHOCK ABSORBER RA (GT4-SPEC) LEFT		1	MTH333061
				2	HELPER-FEDER 10-60-80 AUXILIARY SPRING 10-60-80		2	MTH343538
				3	ZWISCHENRING INTERMEDIATE RING		2	MTH343540
				4	FEDER HA 130-170 COIL SPRING RA 130-170		2	MTH333534
				4	FEDER HA 110-170 (OPTION) COIL SPRING RA 110-170 (OPTION)		2	MTH333535
				4	FEDER HA 150-170 (OPTION) COIL SPRING RA 150-170 (OPTION)		2	MTH333532
				5	FEDERAUFLAGE HA SPRING REST RA		2	MTH333511
				6	STUETZLAGER HA SUPPORT BEARING RA		2	MTH333065
				7	HALTER DRUCKDOSE BRACKET PRESSURE BOX		2	MTH333781
				O.B	GT4 FAHRWERK 2 WEGE (KOMPLETT) GT4 SUSPENSION 2-WAY (COMPLETE)		1	MTH022400