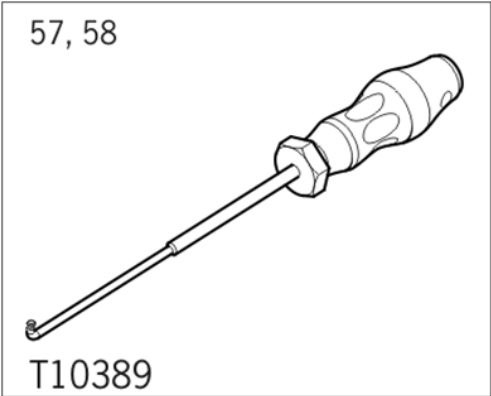


Service Manual: 58 - REAR DOOR, CENTRAL LOCKING -- 92A CAYENNE

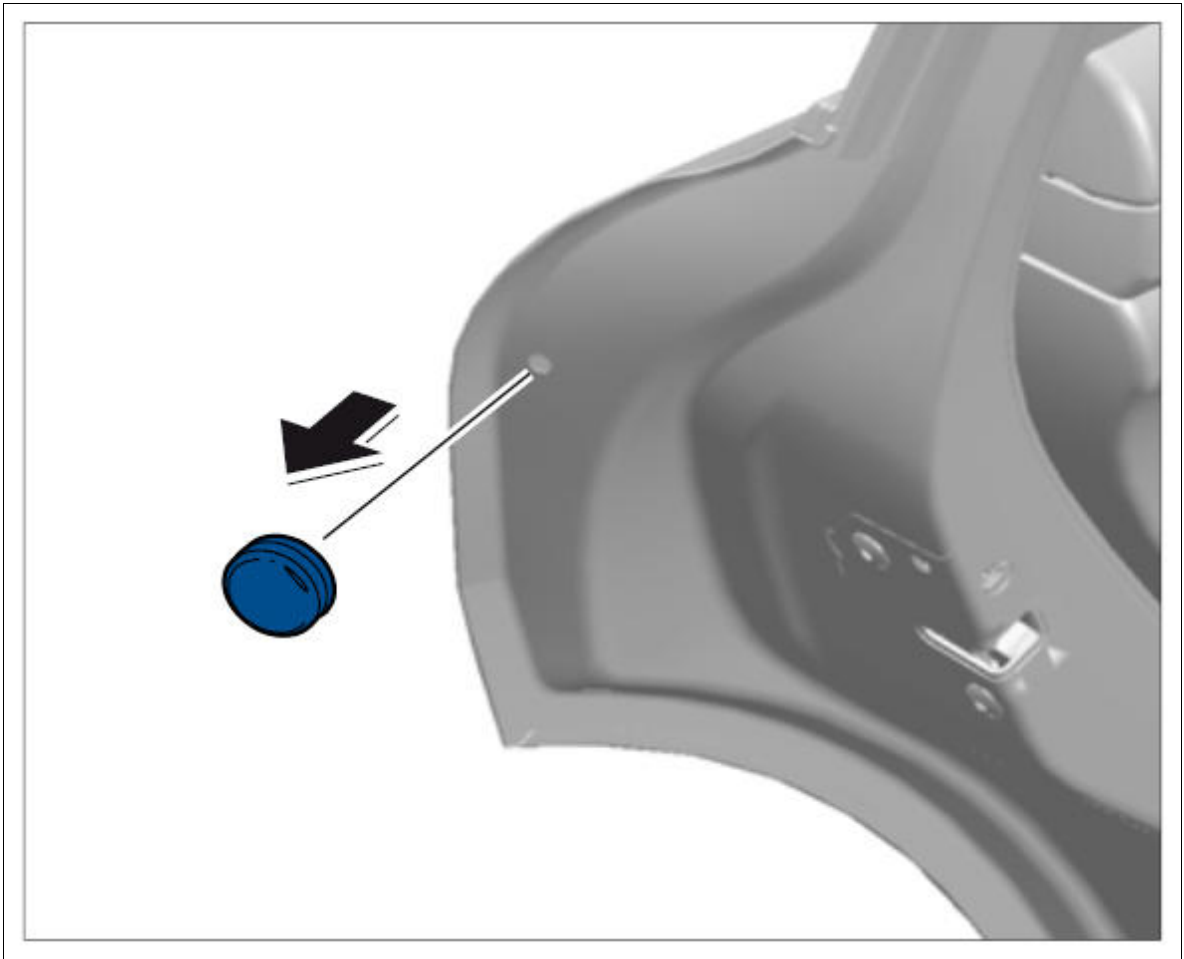
WM 581119 REMOVING AND INSTALLING REAR DOOR HANDLE (CAYENNE, CAYENNE GTS, CAYENNE TURBO S, CAYENNE S, CAYENNE S HYBRID, CAYENNE TURBO, CAYENNE S DIESEL, CAYENNE (3.0)) > TOOLS

Designation	Type	Number	Description
removal and assembly tool	VW tool	T10389	

WM 581119 REMOVING AND INSTALLING REAR DOOR HANDLE (CAYENNE, CAYENNE GTS, CAYENNE TURBO S, CAYENNE S, CAYENNE S HYBRID, CAYENNE TURBO, CAYENNE S DIESEL, CAYENNE (3.0)) > REMOVING REAR DOOR HANDLE

1. Pull off cover.

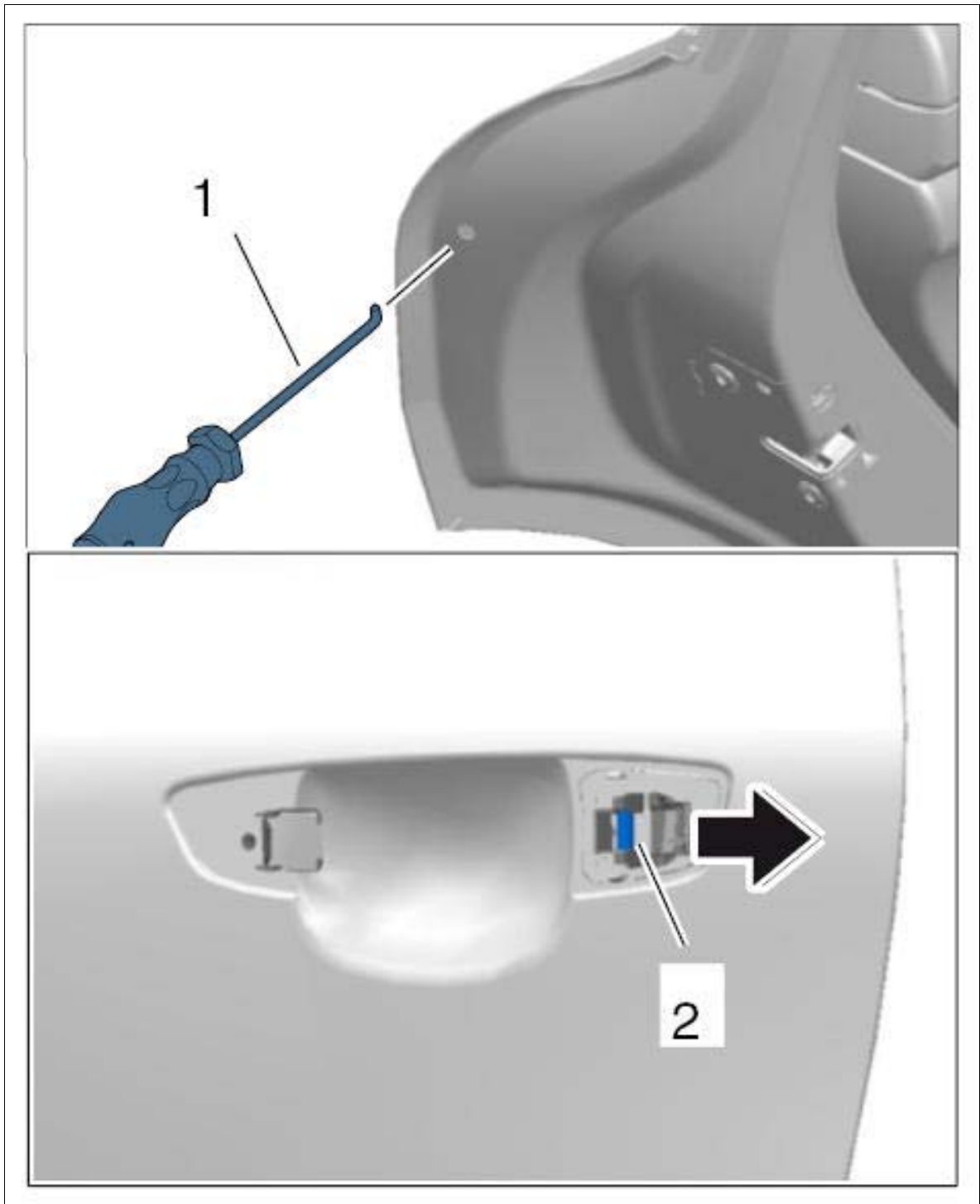
Fig 1: Pulling Off Cover



Courtesy of PORSCHE CARS NORTH AMERICA, INC.

2. Insert **removal and assembly tool T10389 -1-** into the rear door and pull the locking clip **-2-** to the rear.

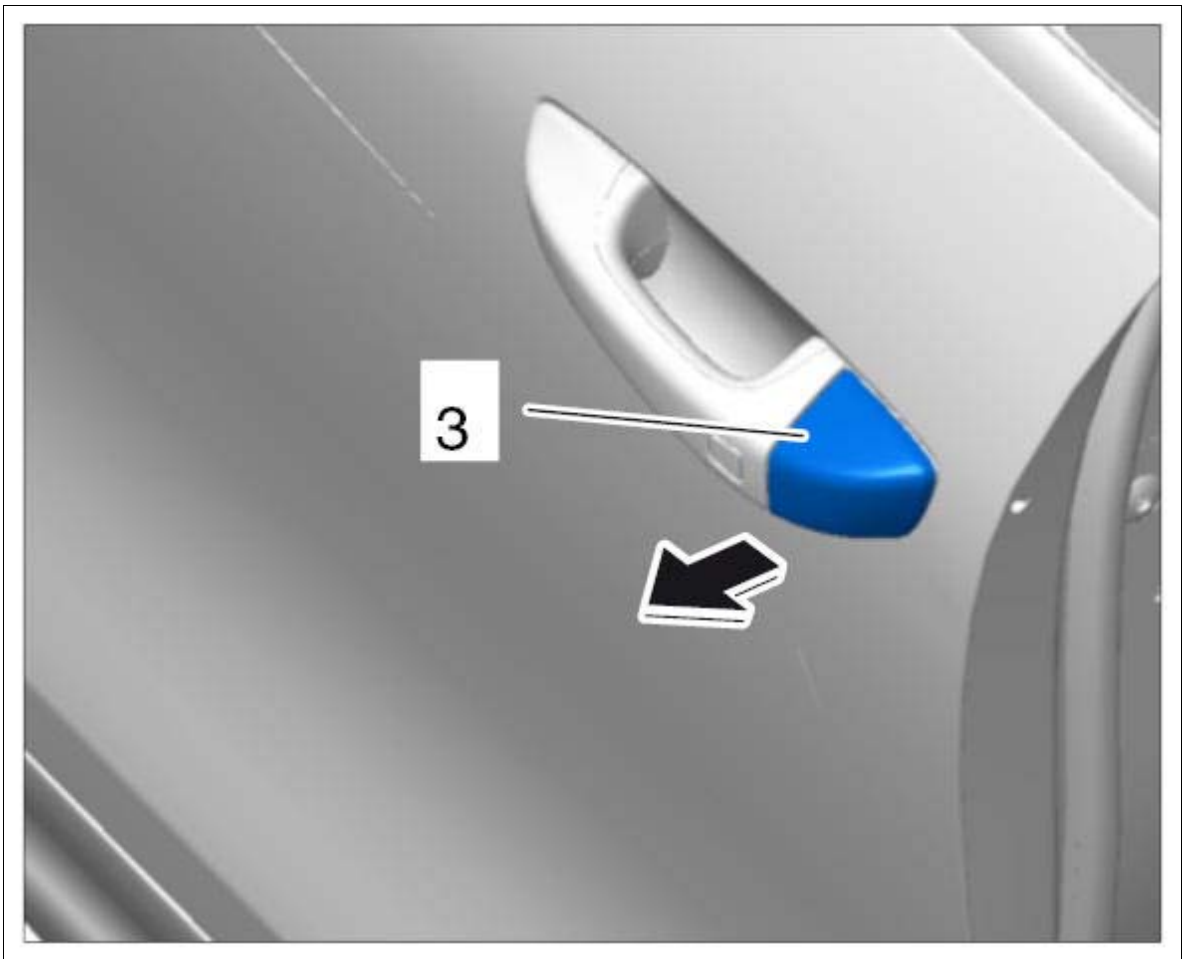
Fig 2: Releasing Clip



Courtesy of PORSCHE CARS NORTH AMERICA, INC.

3. Unclip rear door handle cover **-3-** by pulling it outwards.

Fig 3: Unclipping Door Handle Cover



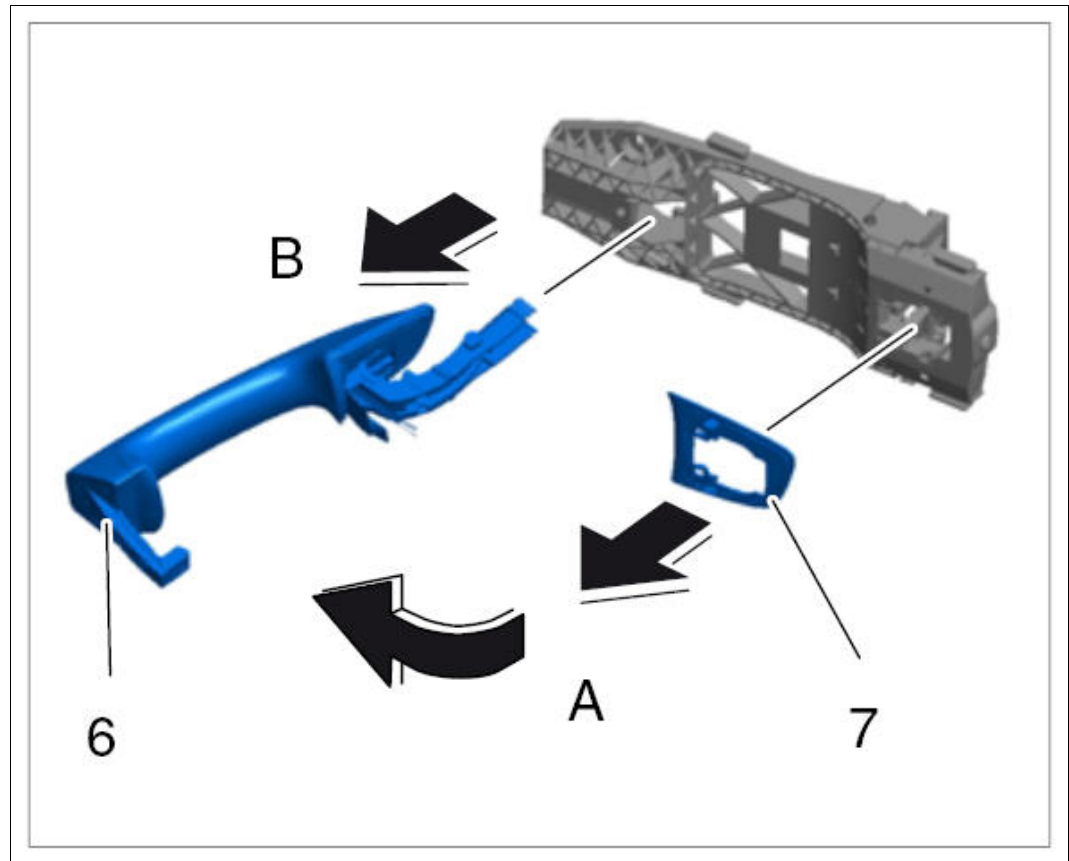
Courtesy of PORSCHE CARS NORTH AMERICA, INC.

4. Remove rear door handle.

1. 4.1. Unhook rear door handle **-6-** (**-B-**) and swivel it out by 90° **-A-** .

2. 4.2. Remove rubber base **-7-** and rear door handle **-6-** .

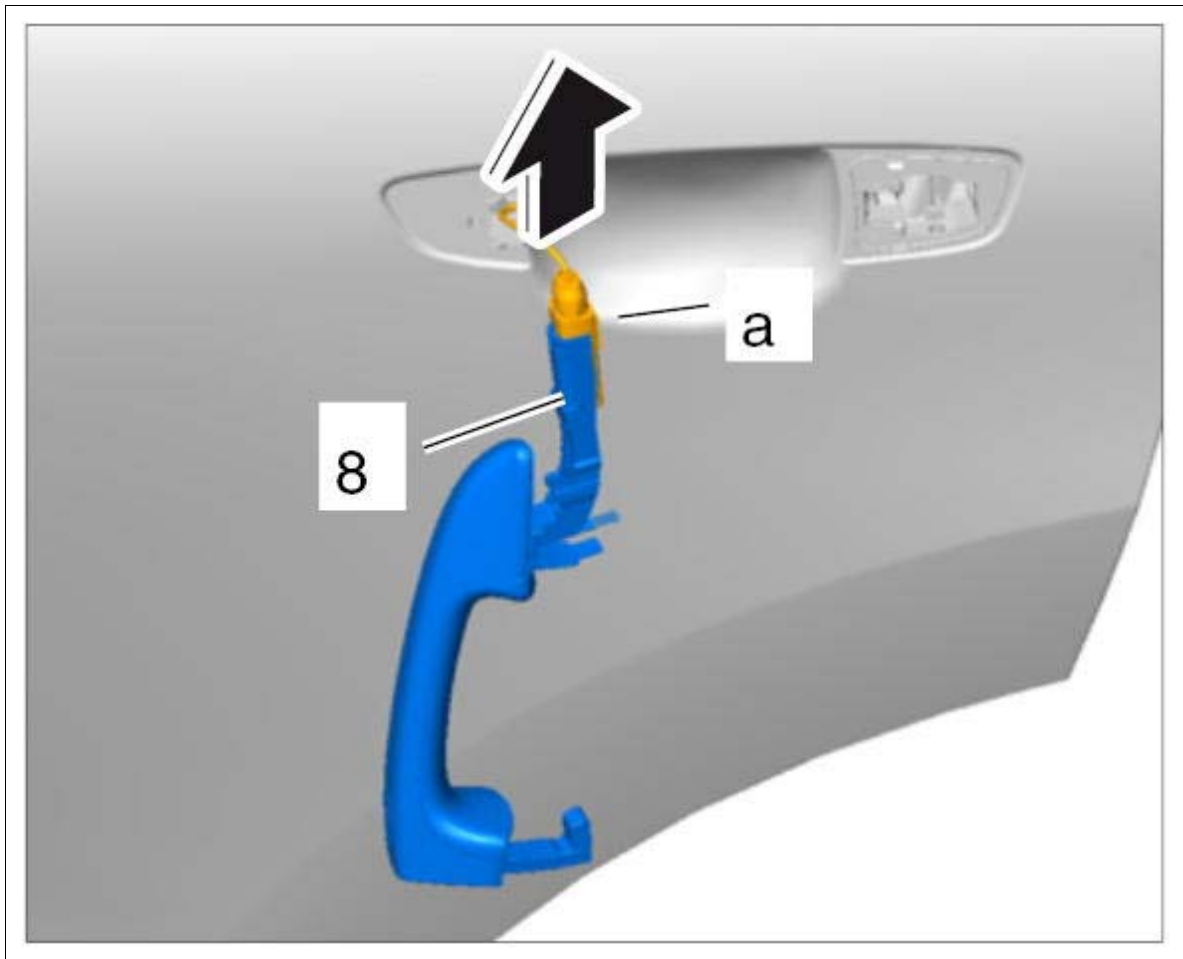
Fig 4: Removing Rear Door Handle



Courtesy of PORSCHE CARS NORTH AMERICA, INC.

5. **Vehicles with KESSY:** Release electric plug connection for KESSY -8- (-a-) and disconnect it.

Fig 5: Disconnecting Connector For KESSY

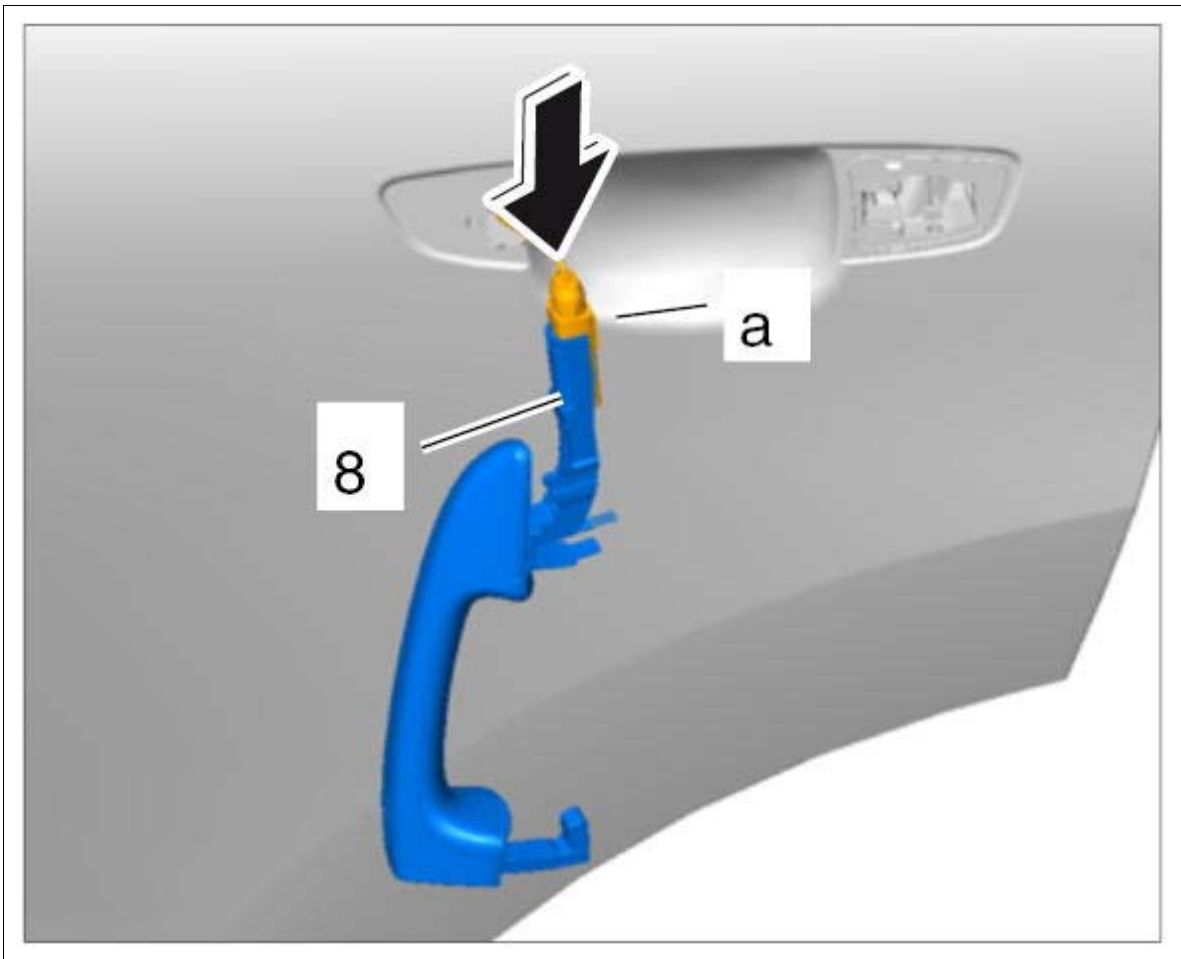


Courtesy of PORSCHE CARS NORTH AMERICA, INC.

WM 581119 REMOVING AND INSTALLING REAR DOOR HANDLE (CAYENNE, CAYENNE GTS, CAYENNE TURBO S, CAYENNE S, CAYENNE S HYBRID, CAYENNE TURBO, CAYENNE S DIESEL, CAYENNE (3.0)) > INSTALLING REAR DOOR HANDLE

1. **Vehicles with KESSY:** Plug in electric plug connection for KESSY -8- and lock it -a- .

Fig 1: Installing Connector

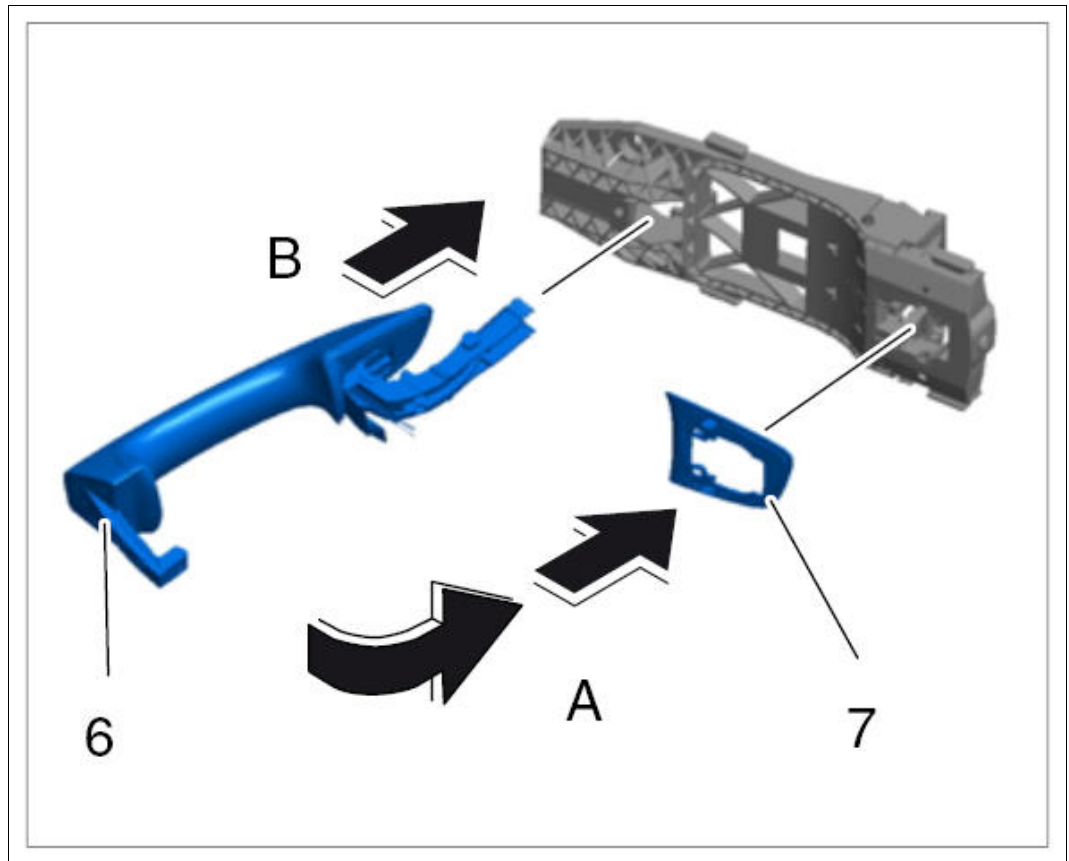


Courtesy of PORSCHE CARS NORTH AMERICA, INC.

2. Install rear door handle.

1. 2.1. Position rubber base **-6-** .
2. 2.2. Hook in rear door handle **-B-** and swivel it inwards by 90° **-A-** .
3. 2.3. Make sure that the rubber lip is at the correct position during installation.

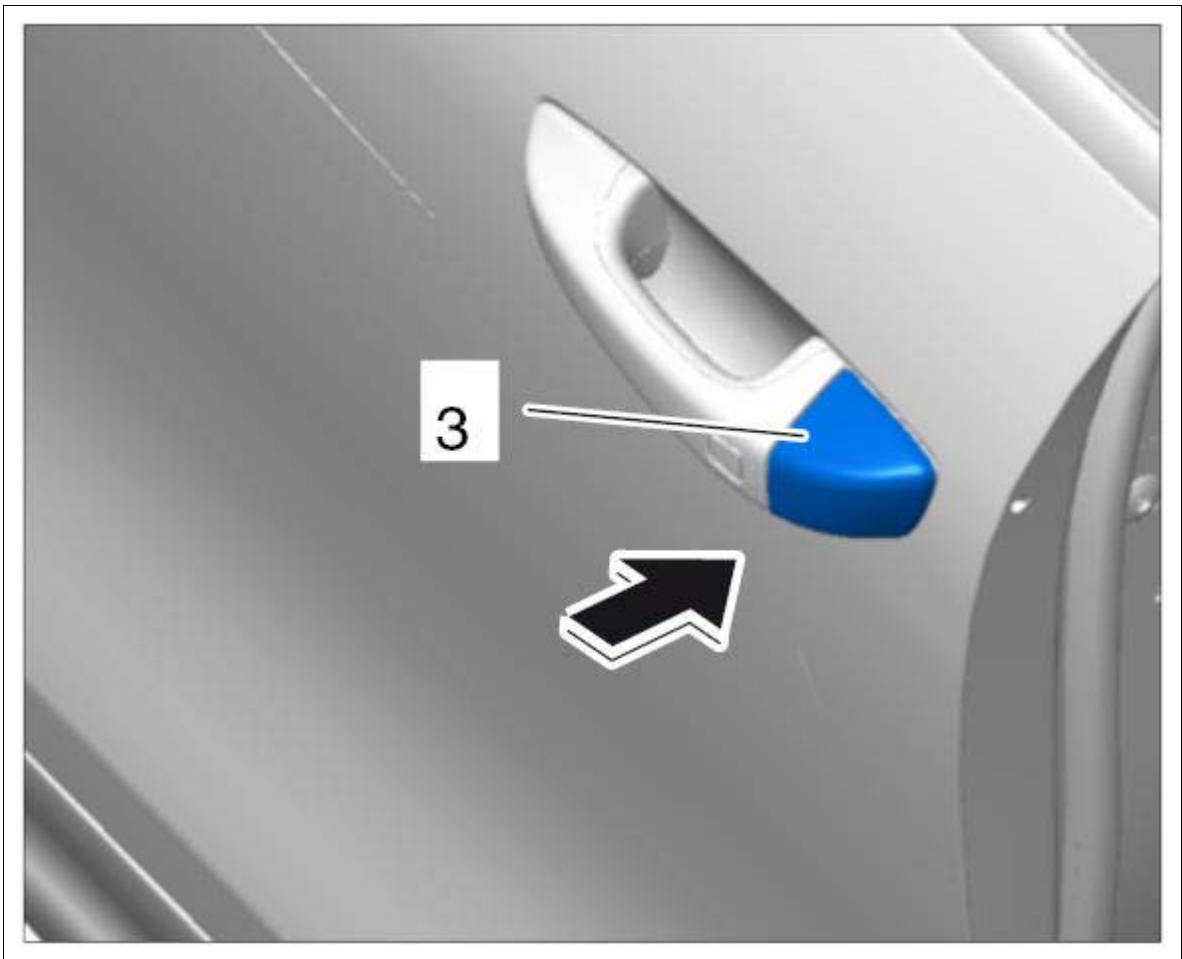
Fig 2: Installing Door Handle



Courtesy of PORSCHE CARS NORTH AMERICA, INC.

3. Fit rear door handle cover -3- .

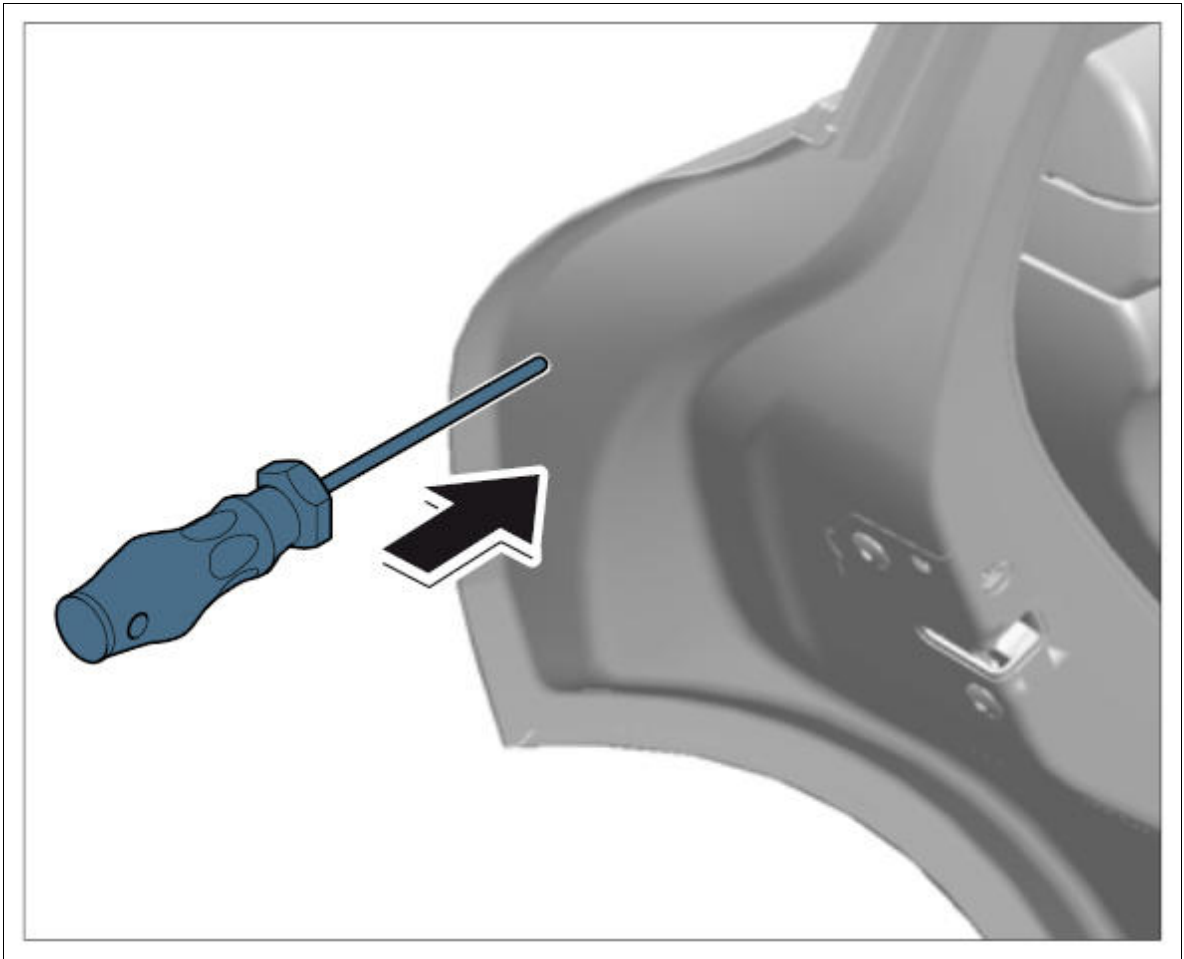
Fig 3: Fitting Door Handle Cover



Courtesy of PORSCHE CARS NORTH AMERICA, INC.

4. Lock the supporting bow using a blunt tool (e.g. Torx 30).

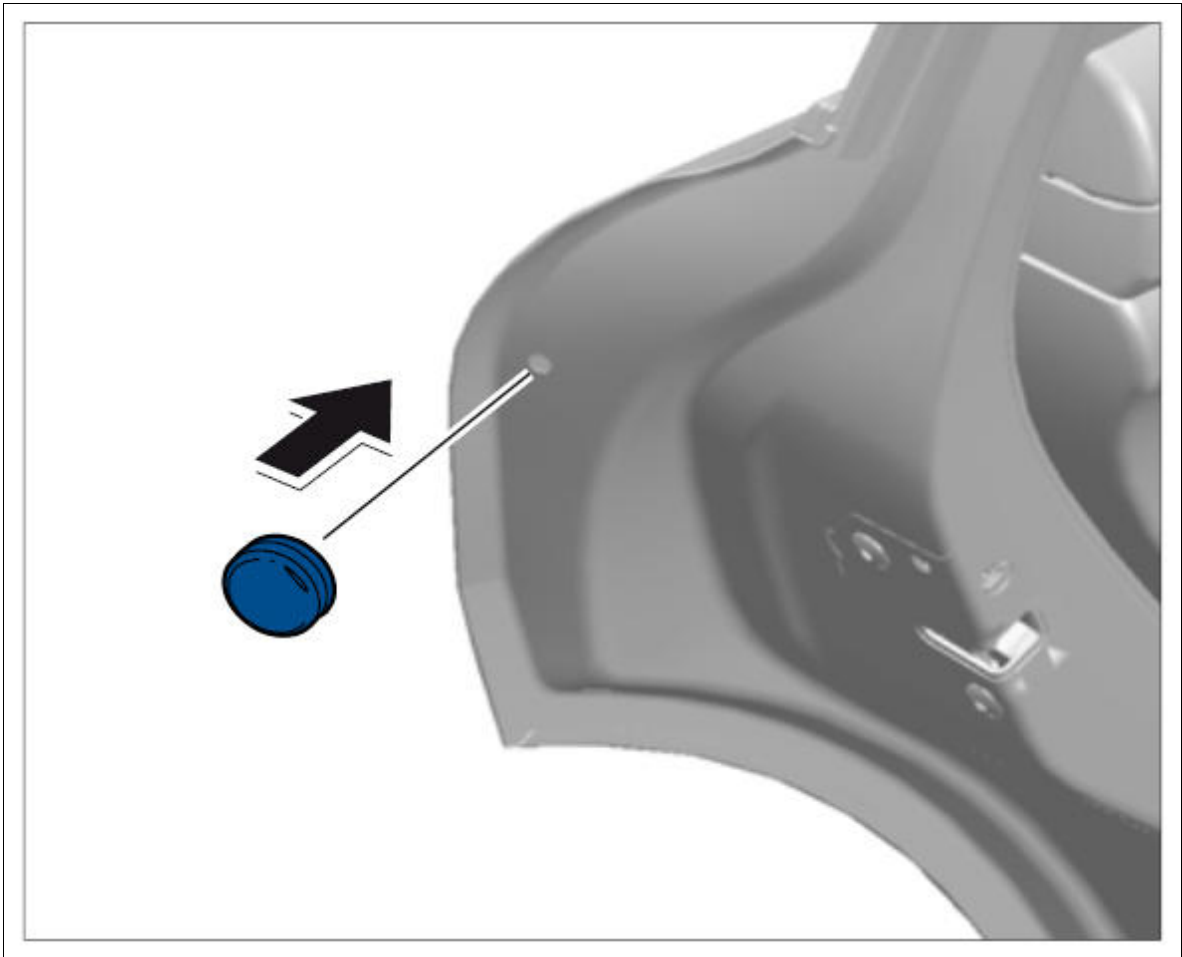
Fig 4: Locking Support Bow



Courtesy of PORSCHE CARS NORTH AMERICA, INC.

5. Fit the cover.

Fig 5: Fitting Cover



Courtesy of PORSCHE CARS NORTH AMERICA, INC.

**WM 581119 REMOVING AND INSTALLING REAR DOOR HANDLE (INNER PART)
(EXCEPT CAYENNE, CAYENNE GTS, CAYENNE TURBO S, CAYENNE S, CAYENNE S
HYBRID, CAYENNE TURBO, CAYENNE S DIESEL, CAYENNE (3.0)) > PRELIMINARY
WORK**

1. Remove rear door sub-frame. → Removing Rear Door Sub-Frame

**WM 581119 REMOVING AND INSTALLING REAR DOOR HANDLE (INNER PART)
(EXCEPT CAYENNE, CAYENNE GTS, CAYENNE TURBO S, CAYENNE S, CAYENNE S
HYBRID, CAYENNE TURBO, CAYENNE S DIESEL, CAYENNE (3.0)) > REMOVING
REAR DOOR HANDLE (INNER PART)**

1. Remove inner part of door handle at the mounting bracket.