

Technical Information

Cayenne

6/04

6690

6

Binder - 6, Body Equipment

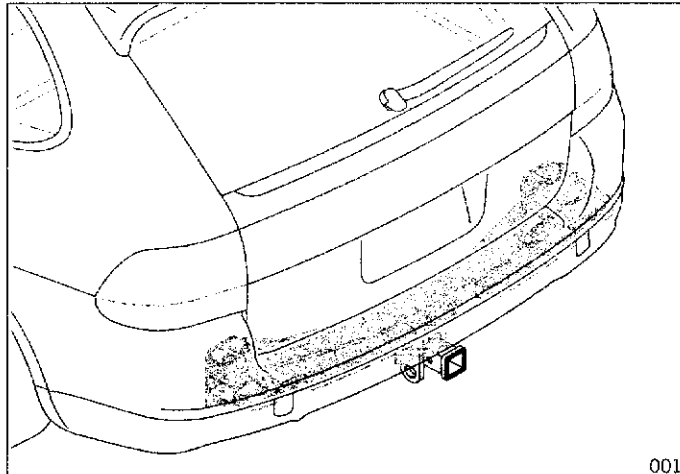
Trailer Hitch Installation Instructions (Option 1D6)

Vehicle Type: **Cayenne/Cayenne S/Cayenne Turbo**

Model Year: **As of '03 (3)**

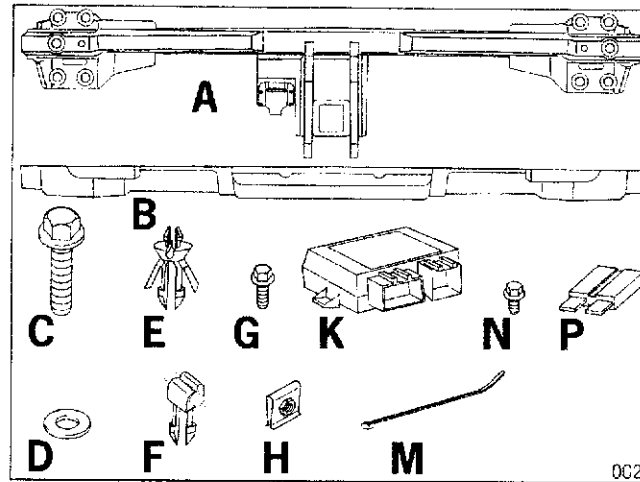
Concern: **Trailer hitch installation instructions. Only for vehicles with "trailer hitch" preparation up to M.Y. 04 (Option 1D8, as of M.Y. 04 the preparation is standard equipment).**

Information: **Once installed this hitch is rated for hitch tongue weight of 308 lbs (140 kg). Vehicle ground clearance in not reduced.**



Parts Information:	Part Number	Description
	955 044 000 10	Trailer Hitch Receiver Set

Parts Information:
(cont'd)



Parts List:

Part Number	Qty.	Description
955 722 004 01	1 x	Trailer Hitch Receiver including electrical wiring harness (Item A)
955 722 025 01	1 x	Foam part (Item B)
955 044 000 28	1 x	Ball bar; removable (not shown)
955 618 040 10	1 x	Control unit (Item K)
N 909 892 01	8 x	Hexagon-head bolt M14 x 1.5 x 100 (Item C)
955 722 033 00	8 x	Sealing ring (Item D)
955 647 153 00	2 x	Clips for KESSY (Item E)
N 909 975 01	1 x	Hose holder (Item F)
N 102 856 01	4 x	Screw M6 x 25 (Item G)
N 904 759 02	1 x	Snap nut (Item H)
N 103 383 01	1 x	Screw M5 x 12 (Item N)
---	10 x	Tie-wrap 150 mm (Item M)
---	1 x	Fuse, 10 amp (Item P)
---	3 x	Fuse, 15 amp (Item P)
---	1 x	Fuse, 25 amp (Item P)
---	1 x	Fuse, 30 amp (Item P)
955 722 030 00	1 x	Plug (not shown)

Replacement Parts:

Part Number	Qty.	Description
955 612 506 00	1 x	Electrical wiring harness
955 612 520 00	1 x	Wire sleeve

Warnings:

The respective legal regulations must be observed. The empty weight increases when installing the trailer hitch. The load of the vehicle is reduced accordingly. The maximum gross weight and the axle loads must not be exceeded. For additional information regarding the operation and maintenance of the trailer hitch, see the *Cayenne Owner's Manual*; topic: "Towbar"; "Trailer load"; "Trailer"; etc.

 **Warning!**

- Risk of injury and damage to trailer hitch with removable ball receptacle**
- due to ball receptacle becoming airborne in an accident while vehicle is moving.
 - due to improperly fastened hitch ball.
 - > Do not transport ball head unsecured in the vehicle (only in the toolbox).
 - > Never use tools or auxiliary tool for inserting or removing the ball head.
 - > Only operate the trailer coupling as a complete version and with the key removed.

 **Warning!**

- Risk of short circuit and fire – due to work on vehicle electrical system.**
- > When working on the electrical system, the battery must be disconnected and covered.
 - > Always route the electrical leads without tension so that no chafing occurs. Secure to existing lines/components using tie-wraps/electrical tape.

 **Caution!**

- Damage to components in the area around the sawing – due to cut-off saw or knife.**
- > Mask the sawing area with tape.
 - > Only work (saw) in this area with great care.

Material:

Double-sided adhesive tape or adhesive
Silicone remover

Tools:

Ratchet	Soldering gun
Socket insert a/f 17, 19, 21	Blunt scraper
Screwdriver hexagon socket a/f 5	Screwdriver
Side cutters	Torx socket wrench insert T20, T25, T27, T30
Open end wrench, a/f 8, 10	Drill
Angle disc	Drill bit 8 mm
Torque wrench	Plastic wedge
Jig saw	Round/flat file
Utility knife	Plug lifter

Work Procedure:

1. Preparatory work.

- 1.1 Remove battery cover and disconnect the battery (See Technical Manual, Group 9).
- 1.2 Remove the rear apron (Part ID 6355).
- 1.3 **Only** vehicles with KESSY system:
Remove antennas with wiring harness from the foam part.
- 1.4 Remove rear bumper (Part ID 6350).

2. Installing Trailer Hitch Receiver.

Note:

The screw thread and the contact surfaces (A in Figure 3) for the receiver must be checked and cleaned if necessary.

- 2.1 Bond the right and left sealing rings (B) to the pickup points of the receiver.
- 2.2 Secure receiver and mount M14 x 1.4 x 100 (Figure 3, Item C) on the right and left.
Tightening torque: 100 Nm (74 ftlb.) + 90°

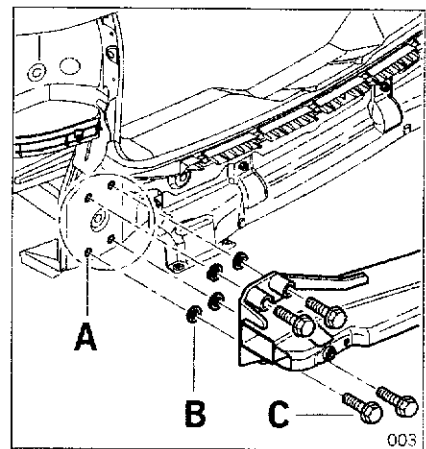


Figure 3

3. Fasten the foam part from the installation set to the receiver.

- 3.1 **Only** vehicles with spare wheel carriers:
Cut off foam part on the marking (A).

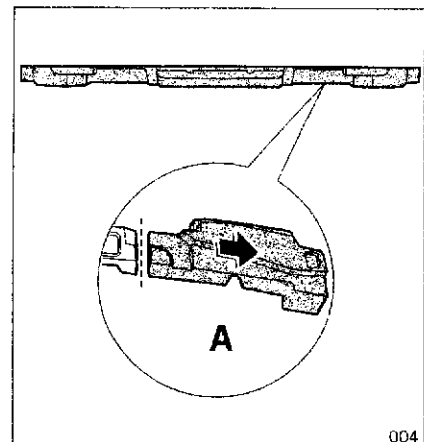


Figure 4

Work Procedure:
(cont'd)

3.2 Modify form part in the area of (A) with a utility knife

Note:

Only for vehicles with spare wheel carriers.

3.3 Bond modified foam part to receiver.

Note:

If necessary, fasten with additional adhesive tape (Part ID6690).

3.4 **Only** vehicles with KESSY system:

Insert antenna with the wiring harness in the foam part.

Note: On vehicles with spare wheel carrier, fasten the right antenna with two clips (parts list E) to the receiver.

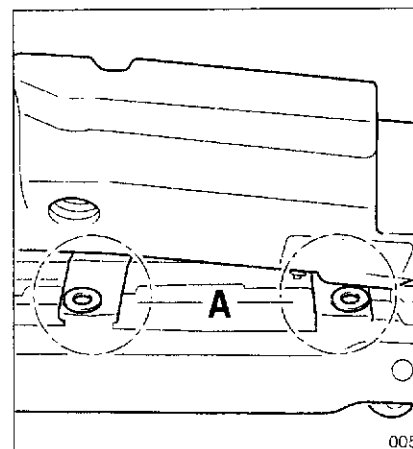


Figure 5

4. **Install and connect electrical wiring harness.**

4.1 Preparatory work.

4.1.1 Remove emergency kit and warning triangle.

4.1.2 Remove right side-panel lining for luggage compartment (Part ID 7003).

4.1.3 Remove the foam insert from the inside of the side wall.

4.2 Remove plugs from the inside of the side wall.

4.3 Route wiring harness (A) through the side wall to the passenger compartment and secure.

Note:

Ensure that the grommet (B) is seated correctly. In area (C), the wiring harness must not make contact (risk of chafing).

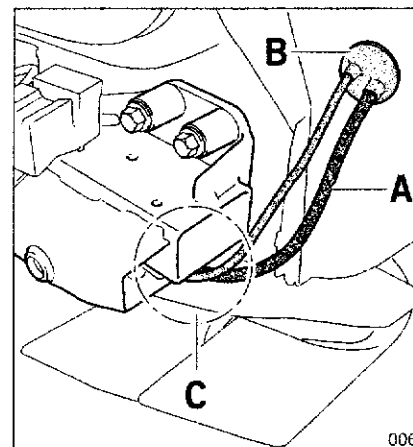


Figure 6

Work Procedure:
(cont'd)

- 4.4 Route the receiver electrical wiring harness from the inner side wall (A) behind the CD changer and from the amplifier to the installation position of the control unit (B) and secure.

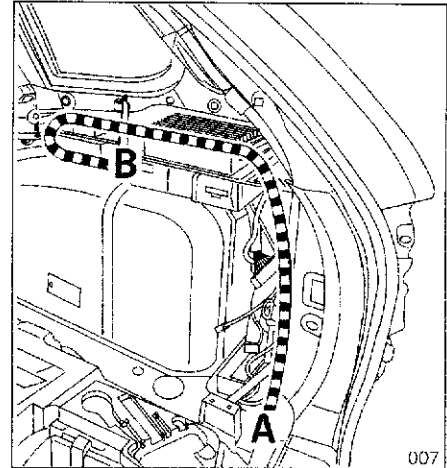


Figure 7

- 4.5 **Only** vehicles with level regulation:
Unlock tabs and put control units for level regulation to the side.
- 4.6 Insert the "green" plug of the receiver electrical wiring harness into the connector strip (A).
- 4.7 **Only** vehicles with level regulation:
Position the control unit for level regulation and clip in.

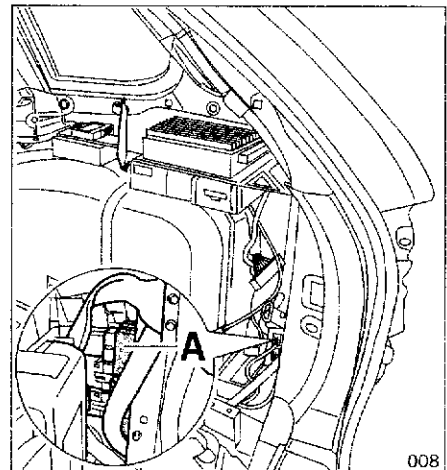


Figure 8

5. **Install control unit and assign fuses.**

- 5.1 Push snap nut (A) on the control unit holder.
- 5.2 Position receiver control unit (B) on the holder and fasten with an M5 x 12 (C) screw.
- 5.3 Plug in the plugs of the wiring harness into the receiver control unit.

Note:

The number of plugs is dependent on the receiver version.

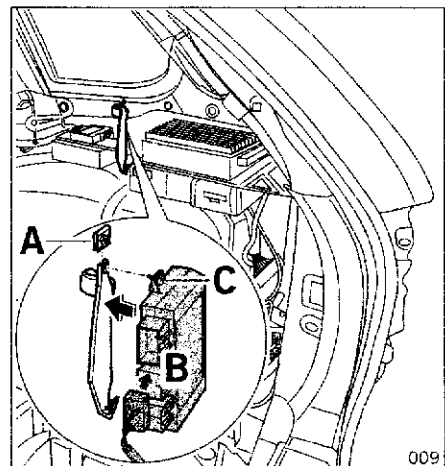


Figure 9

Work Procedure:
(cont'd)

- 5.4 Route and secure the receiver wiring harness control unit.
- 5.5 Remove the fuse box cover of the right dashboard (Part ID 9784).
- 5.6 Install fuses as follows:

Slot	Fuse	Use
1	15 A	USA
3	15 A	USA
5	15 A	USA
19	30 A	Assigned 25 A – is replaced by 30 A)

- 5.7 Install fuse box cover at right of dashboard.
- 5.8 Insert the foam insert in the inside of the side wall.

6. Concluding work.

- 6.1 Store the emergency kit and warning triangle and install side-panel lining for luggage compartment (Part ID 7003).

- 6.2 Cut out rear apron with a jig saw.

Note:

There are several cut-out versions marked on the inside of the rear apron.

Item Cutout For Receiver

- A USA Receiver
- B Not For USA
- C Not For USA

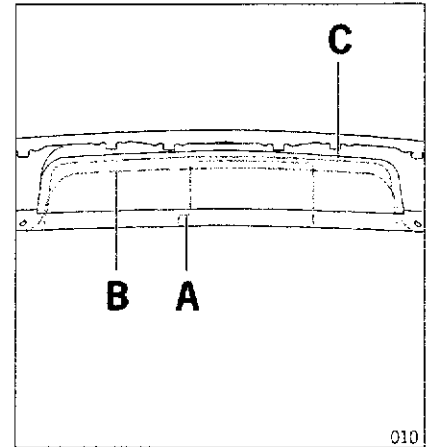


Figure 10

- 6.3 Install rear apron.
- 6.4 Install closure cap for rear bottom section.
- 6.5 Connect battery and install the battery cover.
- 6.6 Program trailer hitch (trailer coupling) with PST2.
 - 6.6.1 Read out fault memory of trailer hitch (trailer coupling) and erase.
 - 6.6.2 Code trailer hitch (Part ID 6696).
 - 6.6.3 After programming is complete, read out the fault memory of all systems, correct any existing faults, and erase the fault memory.

Note:

For further information and instructions on carrying out the individual menu items – refer to the Technical Manual.

Working Time:

Labor Operation

66 90 23 00

Description

Trailer Hitch Receiver Installation
Includes: Removing and installing both tail lights, rear apron, right rear backrest, cover of the right C, D column, side wall, and loadspace cover, cutting out rear apron, programming with PST2.

Time Units

320 TU

Literature:

Cayenne Technical Manual, Groups 6/7/9

> Repairs

- 63 50 19 – Removing and installing rear bumper
- 63 55 19 – Removing and installing rear apron
- 66 90 19 – Installing mechanically removable trailer hitch
- 66 96 19 – Removing and installing rear apron
- 70 03 19 – Removing and installing rear luggage compartment side-panel lining
- 90 58 19 – Installing and removing socket
- 97 24 19 – Removing and installing wiring harness for the removable Trailer coupling
- 97 84 19 – Fuse assignment, fuse carrier, dashboard, right
- 97 – Circuit diagrams – trailer control unit, fuse assignment
- 9 –Diagnosis

Important Notice: Porsche Cars N.A Technical Bulletins are intended for use by professional technicians, not a "Do-it-yourselfer." They are written to inform these technicians of conditions that may occur on some vehicles, or to provide information that could assist in the proper service of a vehicle. Special tools may be required to perform certain operations identified in these bulletins. Use of tools and procedures other than those recommended in these bulletins may be detrimental to the safe operation of your vehicle. Properly trained technicians have the equipment, tools, safety instructions and know-how to do a job properly and safely. If a condition is described, do not assume that the bulletin applies to your vehicle, or that your vehicle will have that condition. See your Porsche Dealer for information on whether your vehicle may benefit from the information. Part numbers listed in these bulletins are for reference only. Always check with your authorized Porsche dealer to verify correct part numbers.

©2004 Porsche Cars North America, Inc.

Dealership
Distribution
Routing

Service Manager _____	Shop Foreman _____	Service Technician _____	_____	_____	_____	_____
Asst. Manager _____	Warranty Admin. _____	Service Technician _____	_____	_____	_____	_____

Dr. Ing. h.c. F. Porsche AG is the owner of numerous trademarks, both registered and unregistered, including without limitation the Porsche Crest®, Porsche®, Boxster®, Carrera®, Cayenne®, Tiptronic®, VarioCam®, PCM®, 911®, 4S®, and the model numbers and distinctive shapes of Porsche's automobiles such as, the federally registered 911 automobile. The third party trademarks contained herein are the properties of their respective owners. Porsche Cars North America, Inc., believes the specifications to be correct at the time of printing. However, specifications, standard equipment and options are subject to change without notice. Printed in the USA