



ADVERTENCIA

Al imprimir se corre el riesgo de perder la correcta asignación de las figuras al texto.


- Por motivos técnicos, por el momento no se puede descartar que, aun siendo correcta la imagen que aparezca en la pantalla, al imprimir se pierda la correlación entre el texto y la figura correspondiente.
- Si este error pasara desapercibido, existe el riesgo de que los trabajos no se ejecuten de forma correcta y, por tanto, se produzcan daños personales y materiales.

→ Por ello le rogamos que tras el proceso de impresión compare siempre las copias impresas con la imagen de la pantalla. En caso de error, corrija las copias impresas de forma que se correspondan con el contenido de la imagen de la pantalla.

50 38 09 Detaching and fastening lock mount (service position) - as of MY 2003

- Preliminary work
- Tools and materials
- Detaching lock mount
- Securing lock mount
- Disconnecting cable for front lid lock
- Connecting cable for front lid lock
- Subsequent work

Tools

Designation	Type	Number	Explanation	
Service fastening screw	commercially available tool			

Preliminary work

Preliminary work

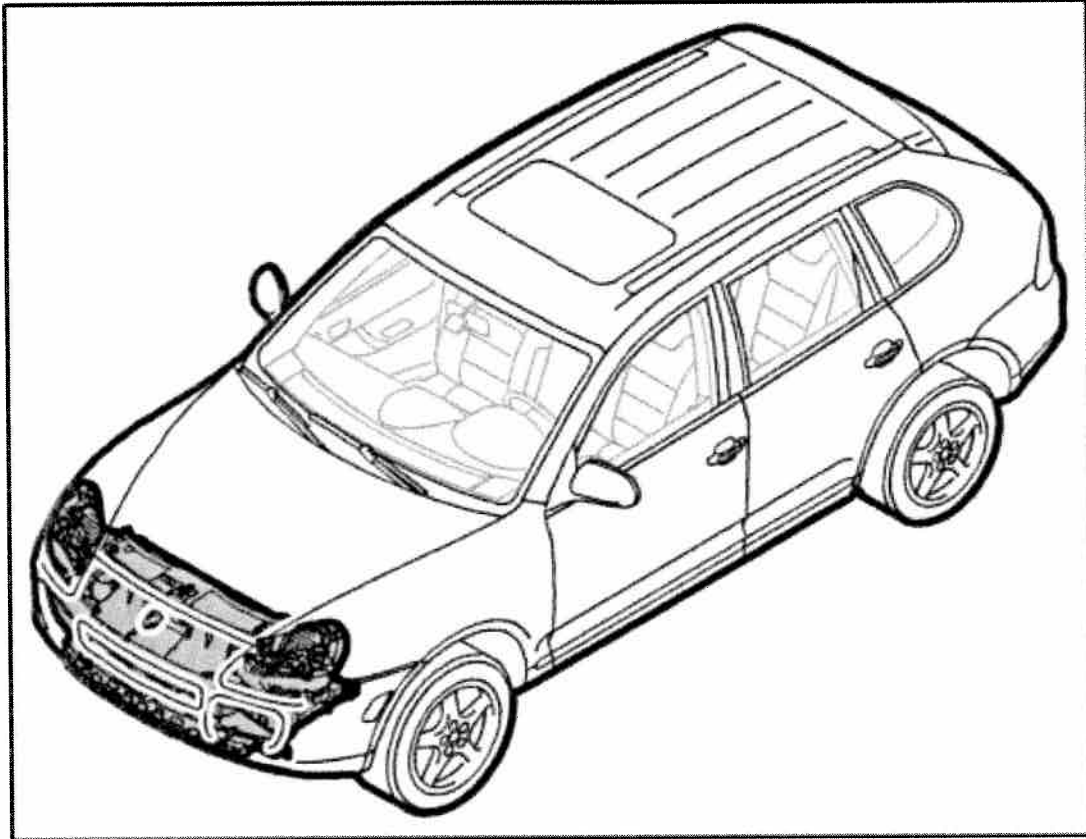
1. Removing the front spoiler.

- 1.1. → 631519 Removing and installing front apron - section on "Removing"
2. Removing the front lid seal.
 - 2.1. → 553319 Removing and installing front lid seal - section on "Removing" [9PAAD1 9PAAD7 9PAAE1 9PAAE7]→ 553319 21 Removing and installing front lid seal - section on "Removing" [9PAAF1 9PAAJ1]
3. Removing the front engine compartment cover.
 - 3.1. → 700219 Removing and installing front cover (engine compartment) - section on "Removing"
4. Disconnecting cable for front lid lock.
 - 4.1. → Disconnecting cable for front lid lock

Tools and materials

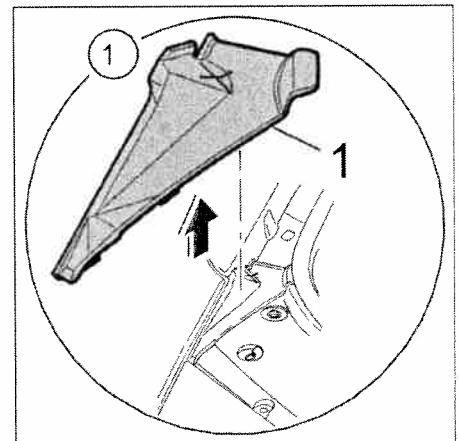
Detaching lock mount

Installation Location:



1. Remove the rubber covers.

1.1. Pull rubber cover on the right -1- up and off.



1.2. Pull rubber cover on the left -2- up and off.

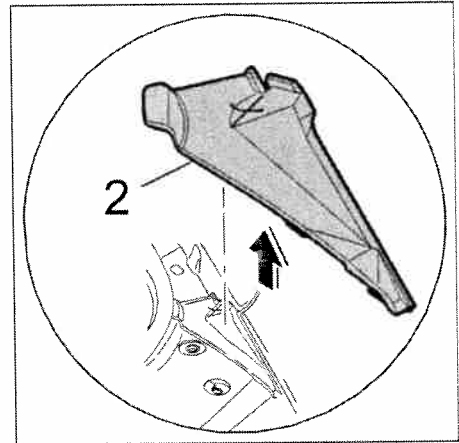


ATTENTION

Danger of injury and material damage as a result of incorrect handling of airbag sensors!

- **Incorrect handling of airbag sensors can result in injury and material damage.**

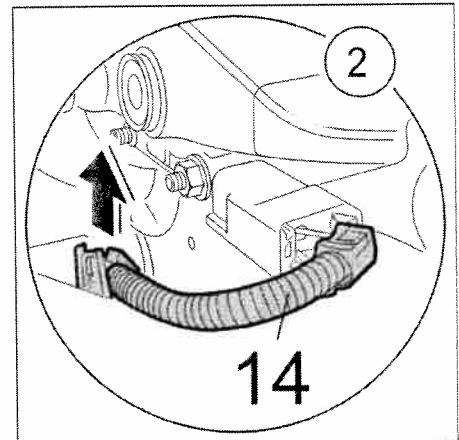
→ Always observe the safety regulations for handling airbag units. → Safety regulations for handling airbag and...



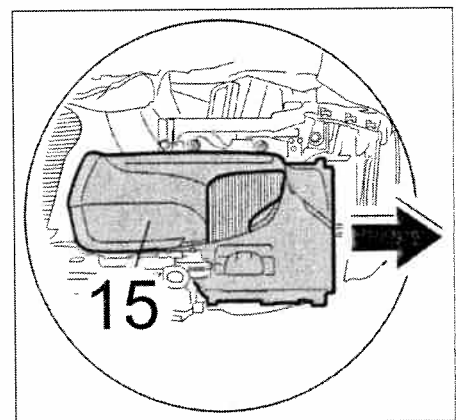
- Remove ignition key. Disconnect battery . Route or isolate the ground strap so that all contact with a ground carrier (e.g. body, seat frame) is avoided.→ Work instructions after disconnecting the battery.
- Before the connector is disconnected from the sensor, always wait for 1 minute before disconnecting the battery.

2. Remove side air guides.
Cayenne Turbo only

2.1. Unclip airbag sensor wiring harness -14- .

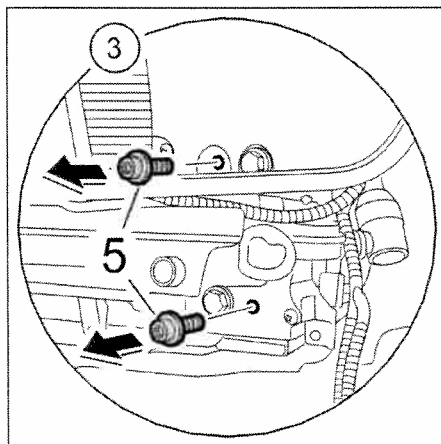
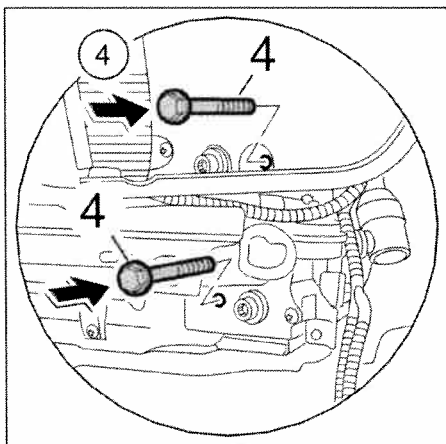


2.2. Slide the side air guide -15- outwards and remove.



3. Undo fastening screws -5- .

3.1. Unscrew the fastening screws on both sides of the vehicle.



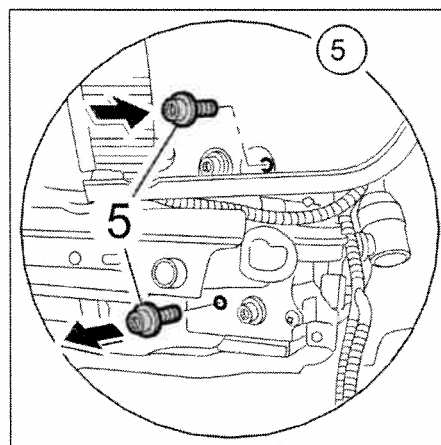
4. Screw in service fastening screws -4- .

4.1. Screw in service fastening screws on both sides of the vehicle and tighten by hand.

→ Tools and Materials

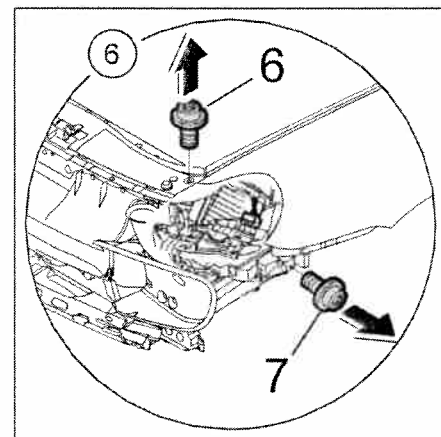
5. Undo fastening screws -5- .

5.1. Unscrew fastening screws on both sides of the vehicle.



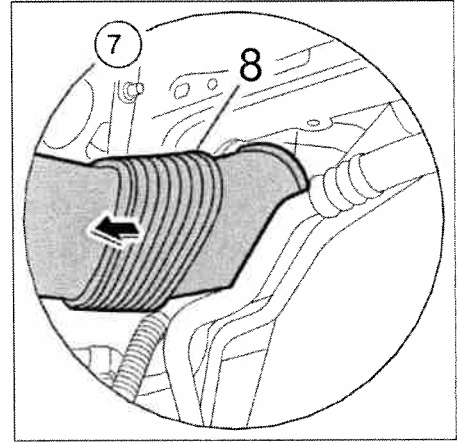
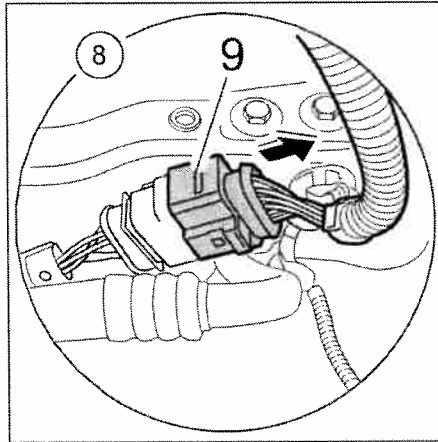
6. Undo fastening screws -6 and 7- .

6.1. Unscrew fastening screws on both sides of the vehicle.



7. Release air guides.

7.1. Release air guides at the air filter housing sections -8- .



8. Disconnect electrical plug connection.

8.1. Disconnect the electrical plug -9- on the left side of the vehicle. Release the lock and disconnect the plug.

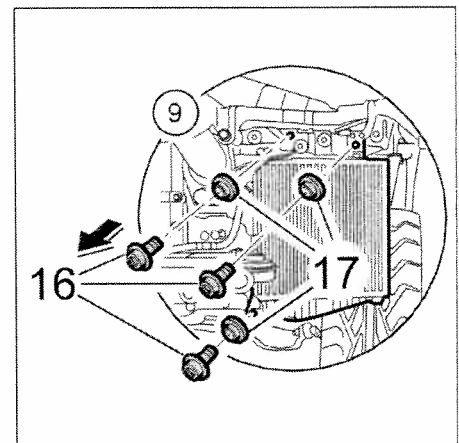
9. Release charge air cooler
Cayenne Turbo only

9.1. Undo fastening screws -16- .

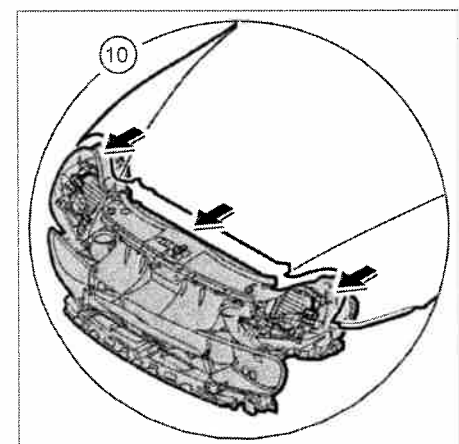
9.2. Remove spacers -17- .

10. Remove front spoiler guide rails at the sides.

10.1. → 631519 Removing and installing front spoiler

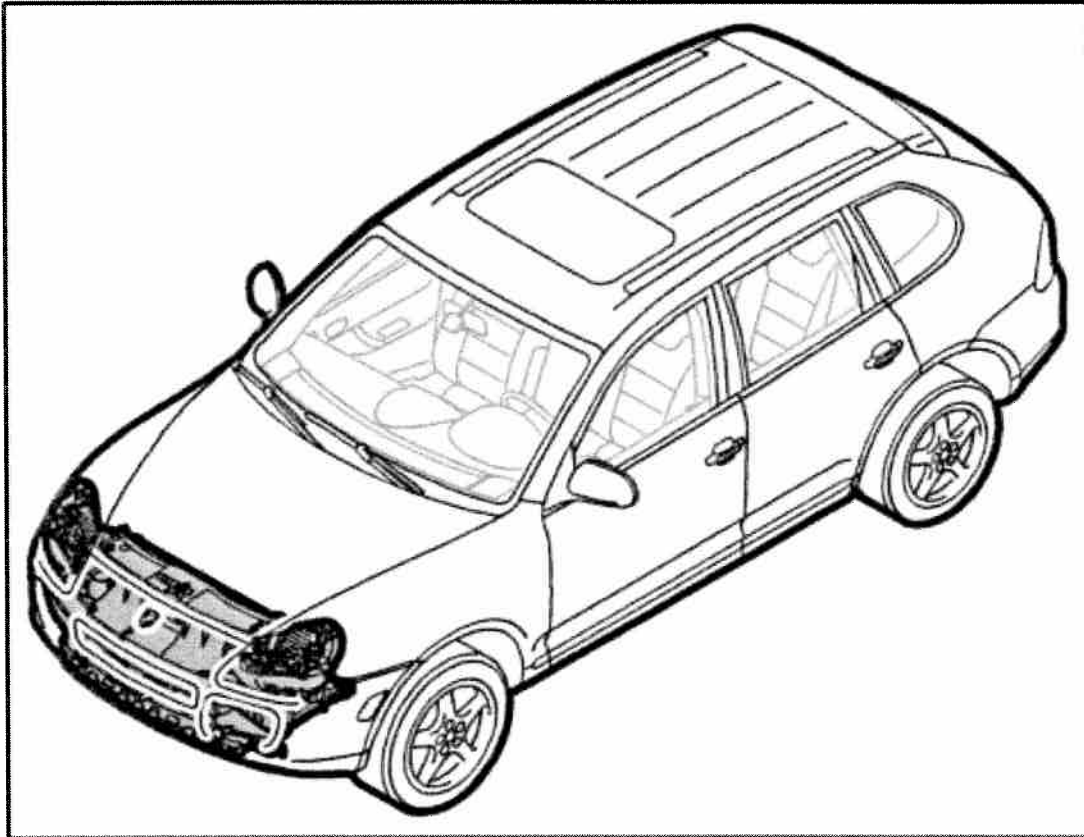


11. Pull the lock mount to the service position.

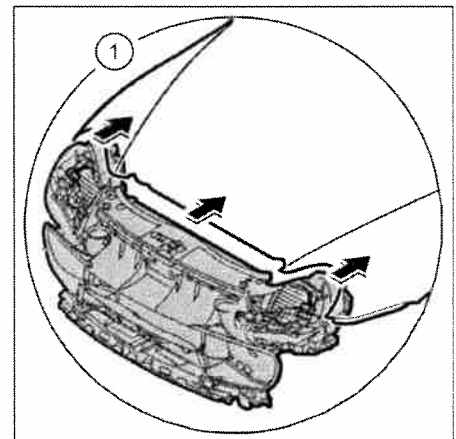


Securing lock mount

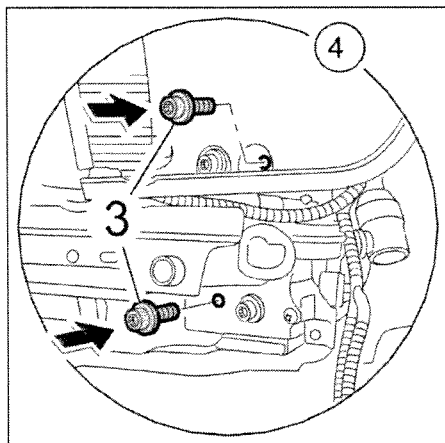
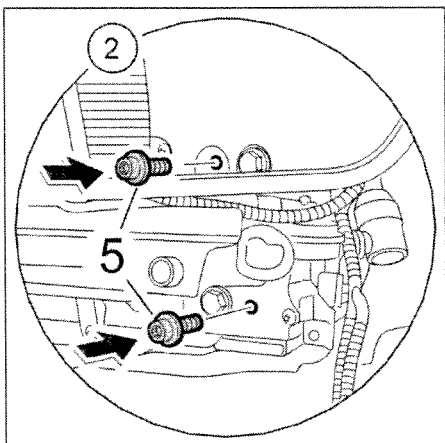
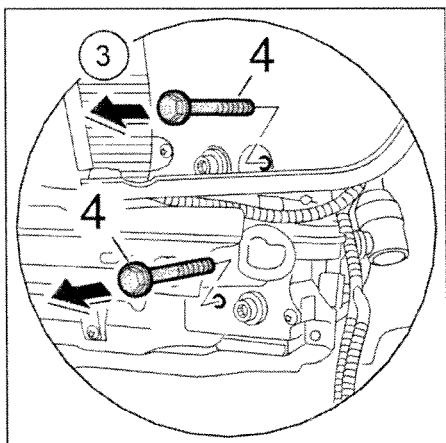
Installation Location:



1. Slide the lock mount into its installation position.
 - 1.1. To prevent damage to the accessories, slide the lock mount back into the installation position on both sides evenly.



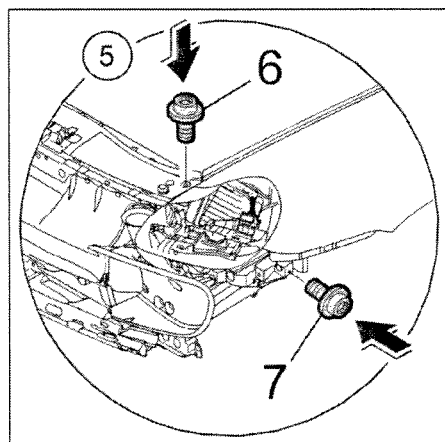
2. Screw in -5- fastening screws.
 - 2.1. Screw in fastening screws on both sides of the vehicle and tighten slightly.
3. Unscrew the service fastening screws -4- .
 - 3.1. Undo service fastening screws on both sides of the vehicle.
4. Screw in the fastening screws -3- and tighten slightly.
 - 4.1. Screw in fastening screws on both sides of the vehicle and tighten slightly.
 - 4.2. Position the lock mounts according to the existing impressions.



5. Fix the lock mount in its installation position

5.1. Screw in fastening screws -6 and 7- on both sides of the vehicle and tighten finger-tight.

6. Adjust the lock mount.

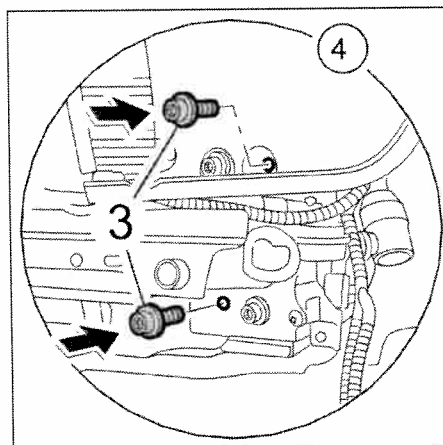
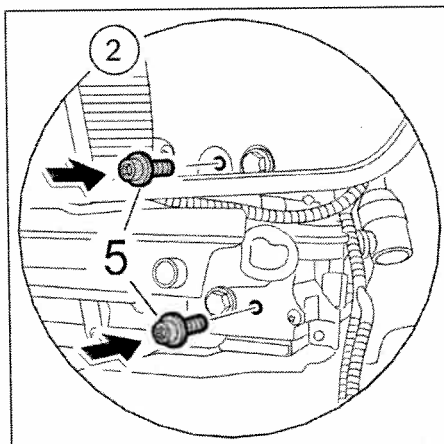


7. Tighten the fastening screws on the lock mount.

7.1. Tighten fastening screws -3-, -5-, -6 and 7- to the specified tightening torque. → **Tightening torque: 6.5 Nm +/-0.5 Nm** → **Tightening torque: 9 (6.5 ftlb.) Nm +/-1 (0.5 ftlb.) Nm** → **Tightening torque: 65 (48 ftlb.) Nm +/-10 (7.5 ftlb.) Nm**

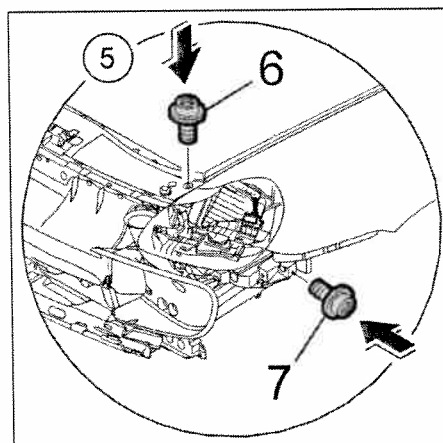
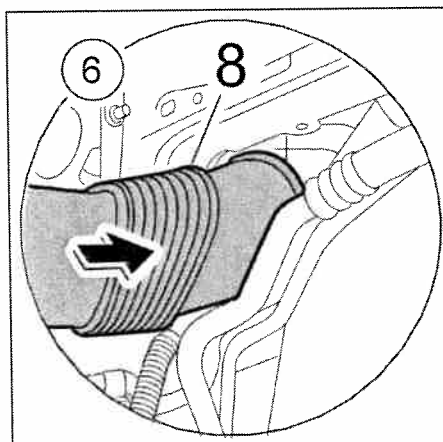
8. Install front spoiler guide rails at the sides.

8.1. → Removing and installing front spoiler



9. Connect the air guides.

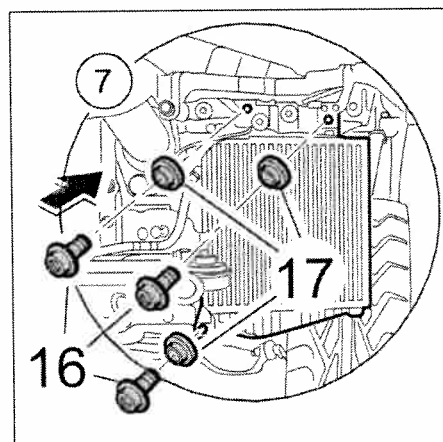
9.1. Connect the air guides at the air cleaner housings -8- .



10. Fasten charge air cooler
Cayenne Turbo only

10.1. Insert spacers -17- .

10.2. Screw in fastening screws -16- and tighten to the specified tightening torque. → **Tightening torque: 9 (6.5 ftlb.) Nm +/-1 (0.5 ftlb.) Nm**



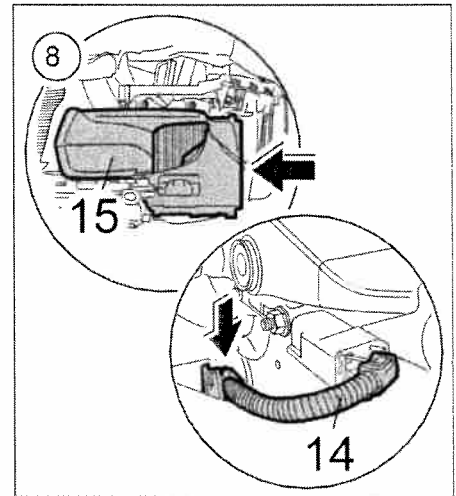
11. Install side air guides.
Cayenne Turbo only

11.1. Position the side air guide -15- and move it to the centre of the vehicle until it engages.

11.2. Position and clip in air sensor wiring harness -14- .

12. Install front lid seal.

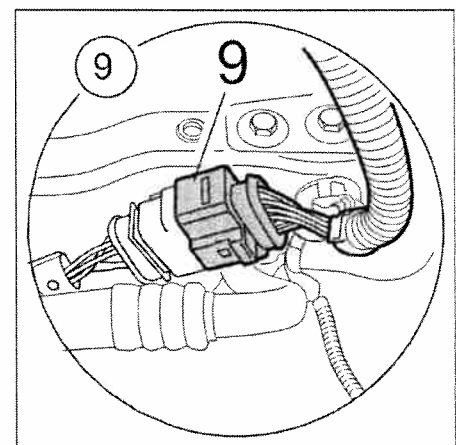
12.1. → Removing and installing front lid seal [9PAAD1 9PAAD7 9PAAE1 9PAAE7] → *Removing and installing front lid seal [9PAAF1 9PAAJ1]*



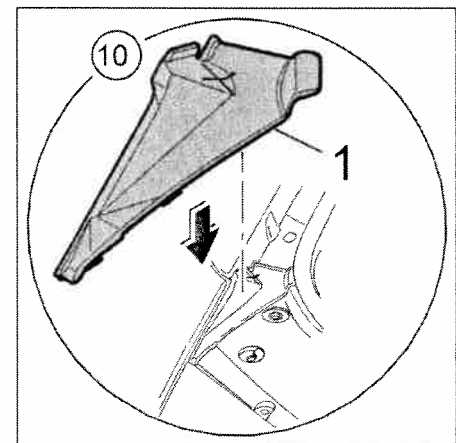
13. Connect the electric plug connection -9- .

13.1. Connect the electric plug connection on the left side of the vehicle.

14. Install the rubber covers.

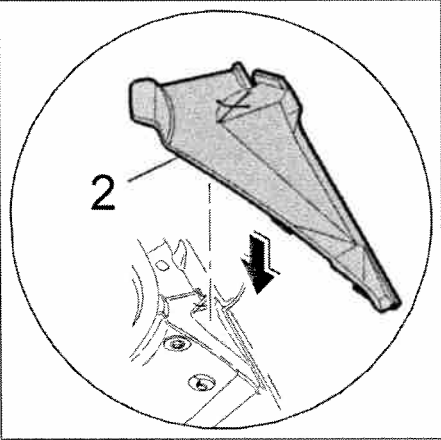


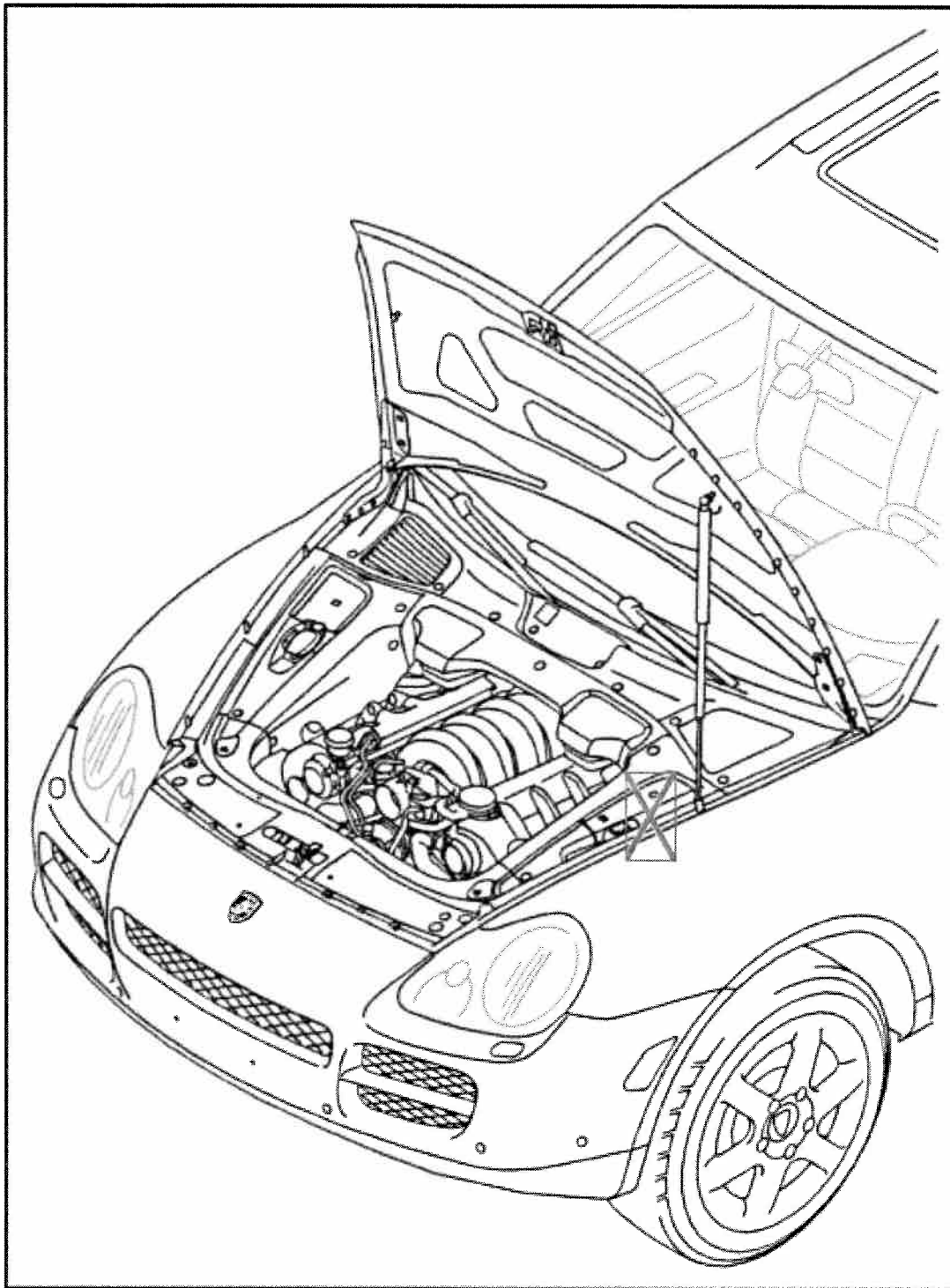
14.1. Put on the right -1- rubber cover from above and press in the rubber tabs.



Disconnecting cable for front lid lock

Installation Location:

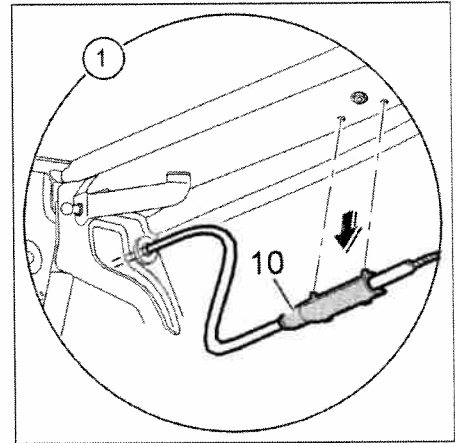




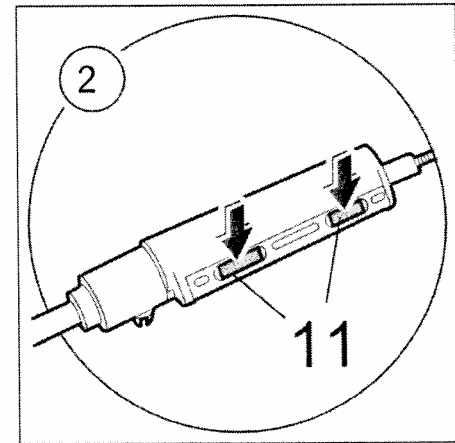
Note

- *On right-hand drive vehicles, the cable for the lid lock is located on the right side of the vehicle.*

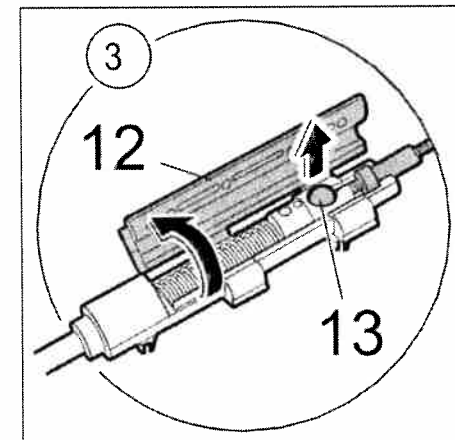
1. Release the connection piece from the body.
 - 1.1. Unclip the connection piece -10- from the body.



2. Unlock the connection piece.
- 2.1. Release the locking tabs -11- with a commercially available screwdriver -arrow- .

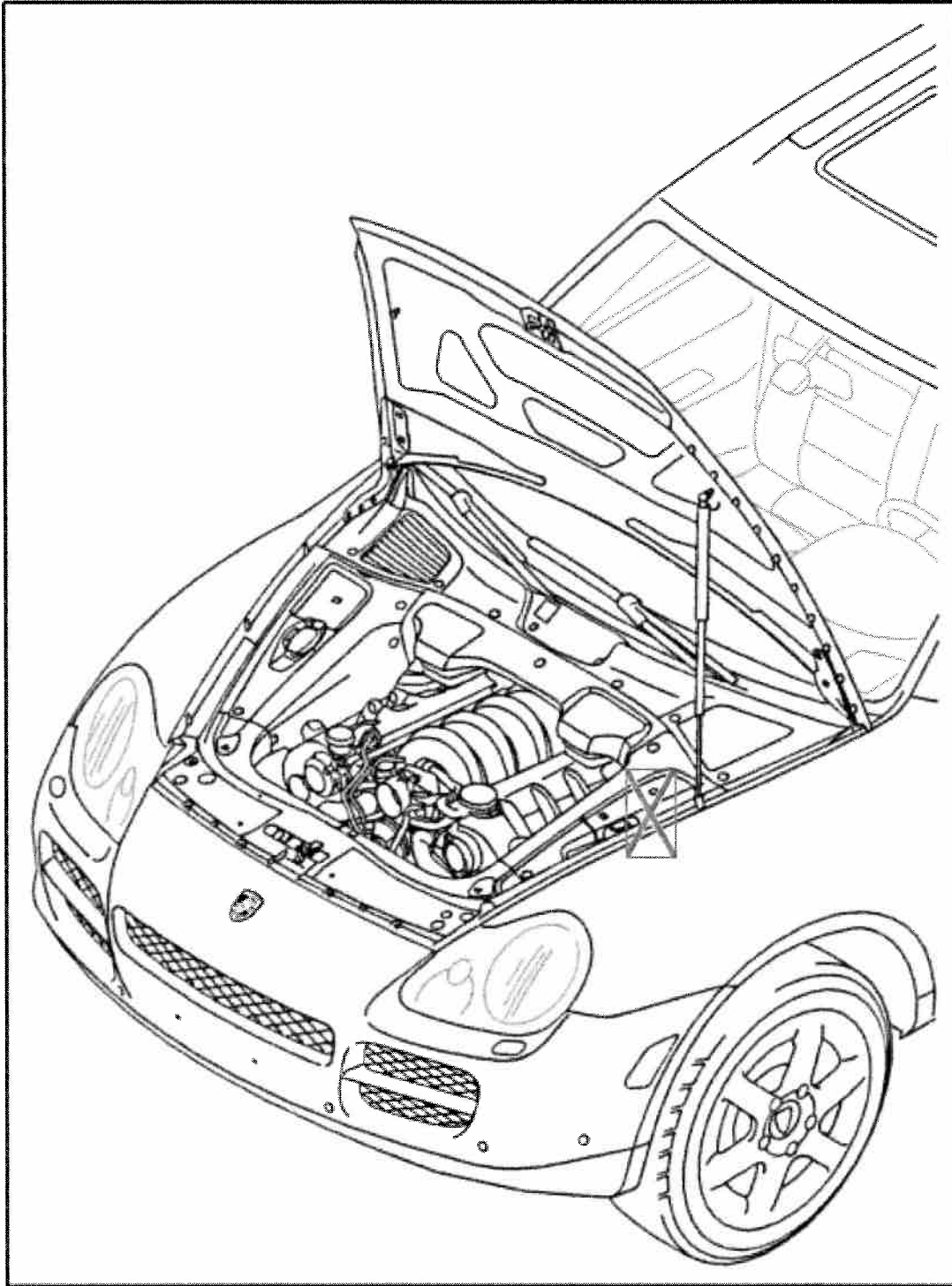


3. Open the connection piece and disengage the cable.

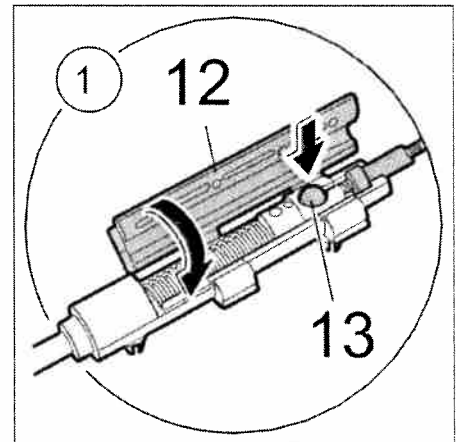
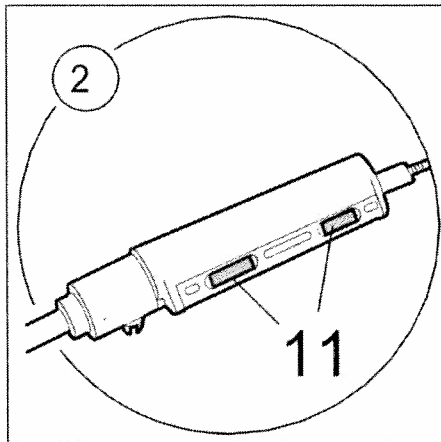


Connecting cable for front lid lock

Installation Location:

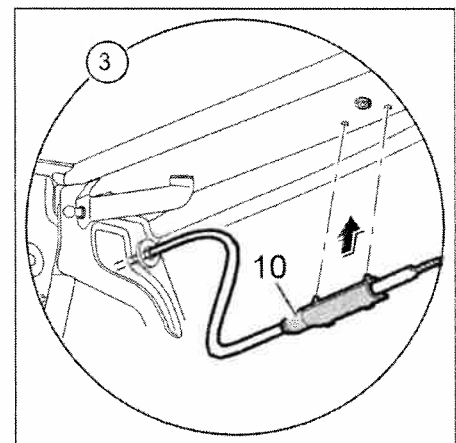


1. Engage the cable and close the connection piece.
 - 1.1. Engage the cable for the front lid lock -13- and close the lid -12- on the connection piece.
2. Attach the connection piece.
 - 2.1. The locking tabs -11- must audibly engage in place.



3. Secure the connection piece to the vehicle body.

3.1. Clip the connection piece -10- to the body.



Subsequent work

Subsequent work

1. Connect cable for front lid lock.
 - 1.1. → Connecting cable for front lid lock
2. Check function of lid lock.
 - 2.1. Engage the locking hook on the lock in the catch using a screwdriver and trip by actuating the lid release in the vehicle.
In the case of a malfunction, check the bottom lock section or lid release cable for damage; replace if necessary.
3. Install the front spoiler.
 - 3.1. → 631519 Removing and installing front apron - section on "Installing"
4. Install front engine cover.
 - 4.1. → 700219 Removing and installing front cover (engine compartment) - section on "Installing"

9PAAD1, 9PAAD7, 9PAAE1, 9PAAE7, 9PAAF1, 9PAAJ1

as of MY 2003

Country C00, C02, C05, C07, C08, C09, C10, C11, C12, C13, C14, C15, C16, C18, C19, C20, C21, C22, C23, C24, C25, C26, C27, C28, C32, C33, C34, C35, C36, C37, C38, C39, C45, C46, C98, C99