

2006 Porsche Cayenne

2003-2008 ACCESSORIES & EQUIPMENT Glazing, Window Control

Removing microswitch for rear window release

Installation Location:

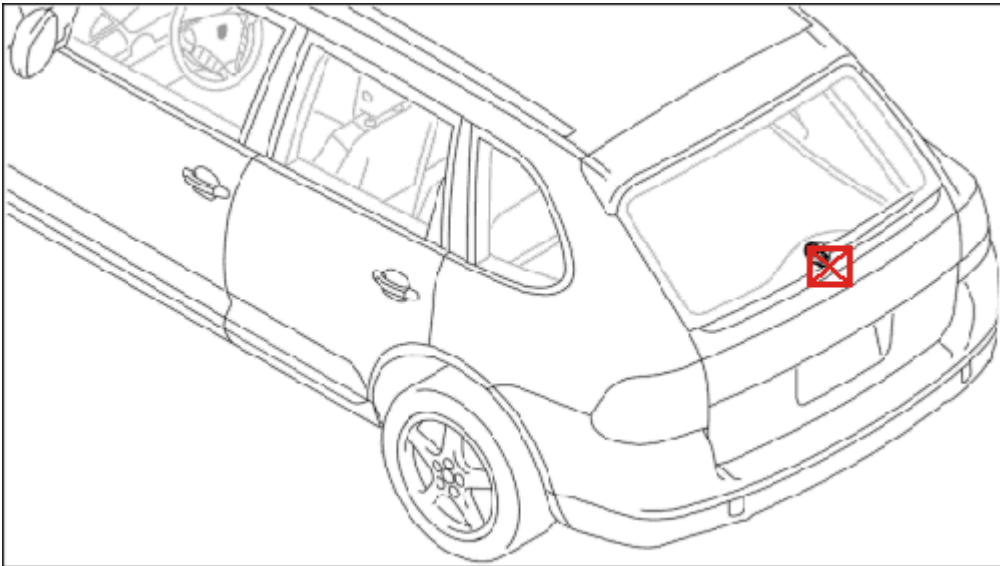


Fig. 99: Installation location of microswitch for rear window release
Courtesy of PORSCHE OF NORTH AMERICA, INC.

CAUTION: Danger of injury!

- Before removing wiper arm, remove ignition key and switch off steering column switch.

-->

2006 Porsche Cayenne

2003-2008 ACCESSORIES & EQUIPMENT Glazing, Window Control

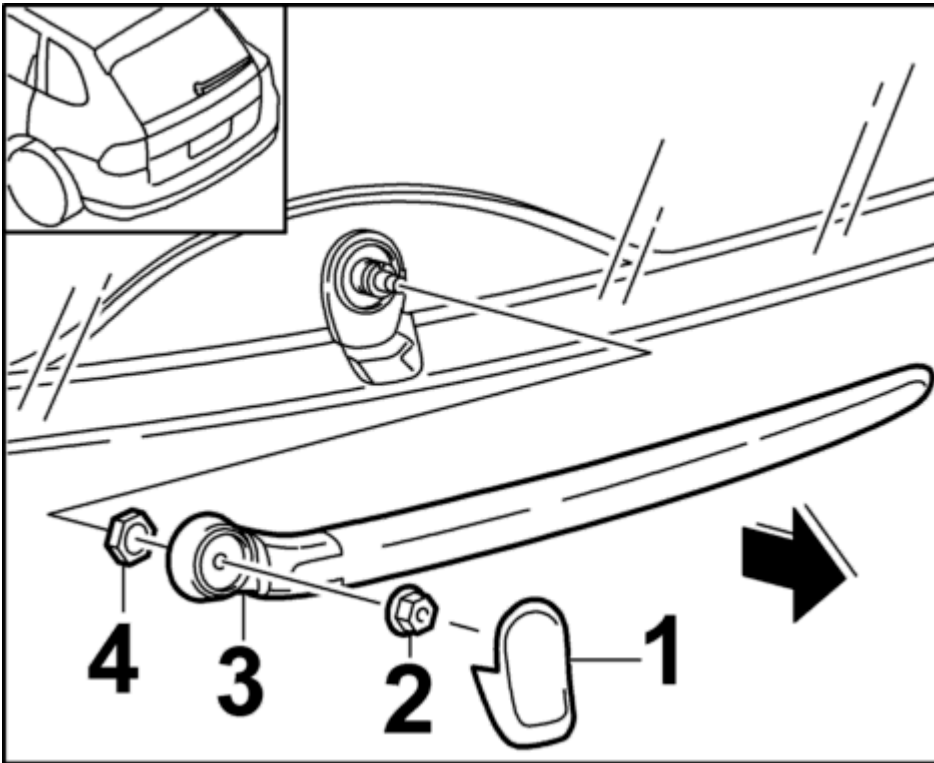


Fig. 100: Exploded view of wiper arm components

Courtesy of PORSCHE OF NORTH AMERICA, INC.

1. Unclip cover cap **-1-** at side and remove it. See **Fig. 100**.
2. Unscrew fastening nut **-2-** . See **Fig. 100**.
3. Pivot wiper arm **-3-** up and down a little and remove. See **Fig. 100**.
4. Unscrew fastening nut **-4-** . See **Fig. 100**.

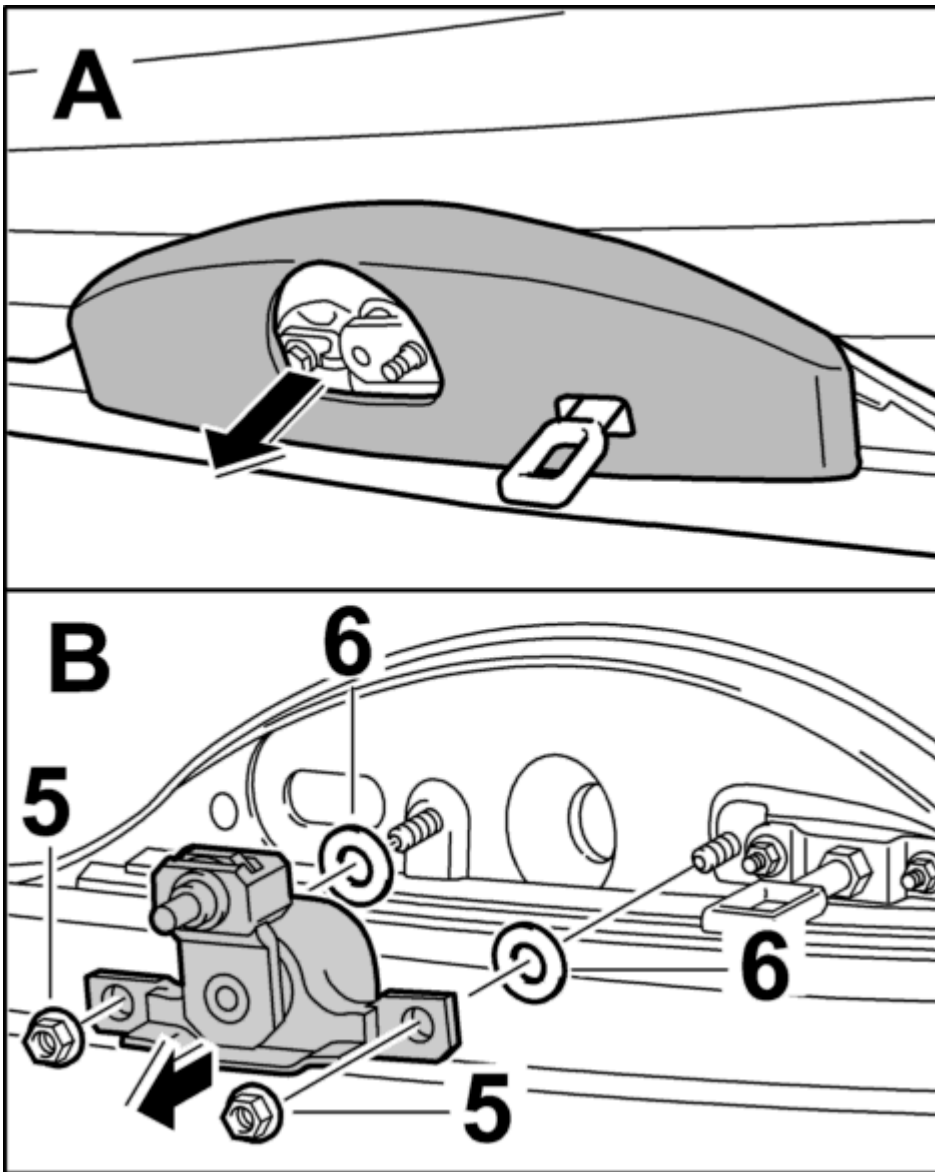


Fig. 101: Removing cover and wiper shaft
Courtesy of PORSCHE OF NORTH AMERICA, INC.

5. -A- Using a plastic wedge, carefully unclip and remove the cover. See **Fig. 101**.

6. -B- Unscrew the two fastening nuts -5- for the wiper shaft. Hold the rear window release and pull out the wiper shaft. See **Fig. 101**.

7. Remove washers -6- . See **Fig. 101**.

2006 Porsche Cayenne

2003-2008 ACCESSORIES & EQUIPMENT Glazing, Window Control

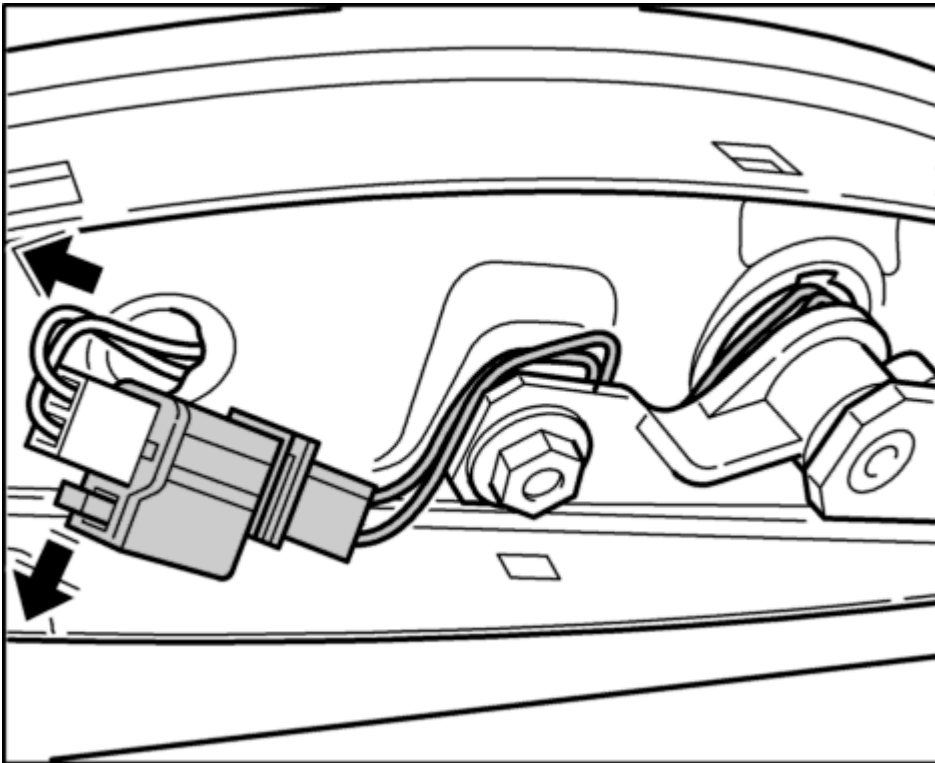


Fig. 102: Identifying electrical plug connection for rear window release
Courtesy of PORSCHE OF NORTH AMERICA, INC.

8. Unlock electrical plug connection and pull the plug off.
9. Push the electric cable with the plug through the opening of the rear window and remove the rear window release.

INSTALLING MICROSWITCH FOR REAR WINDOW RELEASE

Installing microswitch for rear window release

Installation Location: