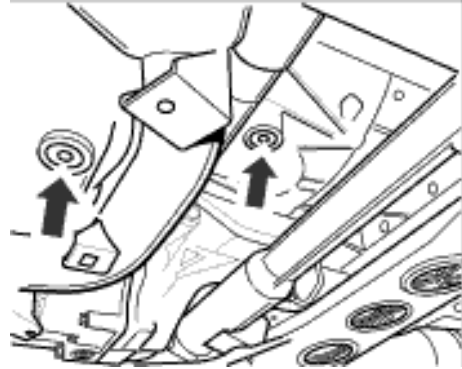


3. Undo the 2 oil drain plugs and collect engine oil in a disposal container. Dispose of waste oil in accordance with legal requirements.



4. Clean oil drain plugs and screw in with new aluminium sealing ring. Tightening torque 50 Nm (37 ftlb.).



5. Fill with engine oil of the stipulated viscosity and quality. The oil change quantity is 8.25 litres after a dripping time of approx. 20 minutes.
6. Fit underside panel.

Engine oil change (with oil filter)



Note!

- *Engine oil should not be extracted, as particles of dirt may remain in the oil pan.*

1. Remove underside panel.
2. Jack up the vehicle at the points provided.

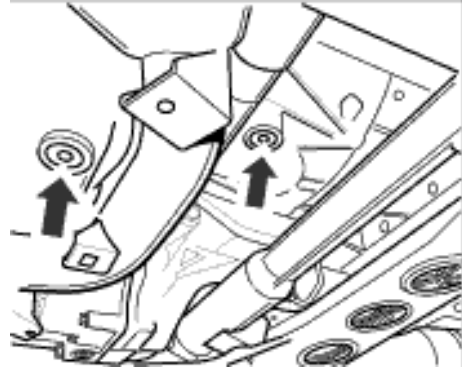


Warning!

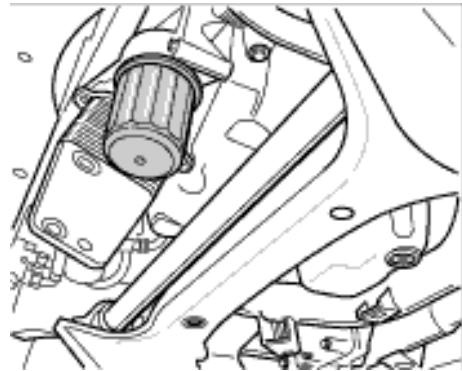
Danger of scalding from draining oil!

Wear protective equipment specified.

3. Undo the 2 oil drain plugs and collect engine oil in a disposal container. Dispose of waste oil in accordance with legal requirements.



4. Clean oil drain plug and screw in with new aluminium sealing ring. Tightening torque 50 Nm (37 ftlb.).
5. Undo oil filter with special tool (release key) 9204 and unscrew it.

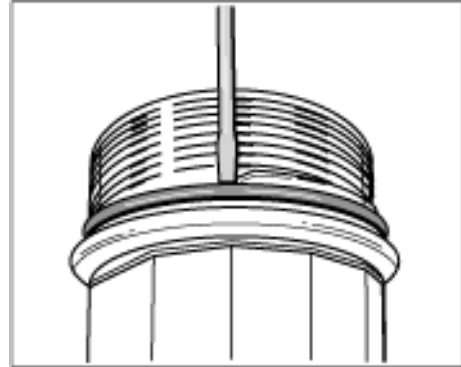


6. Remove oil filter housing vertically downwards. Drain remaining oil into a disposal container.
7. Remove filter element. Remove the filter downwards and dispose of in accordance with legal requirements.

**Note!**

- Do not remove O-ring with a sharp object.
- The oil filter housing contains a cutout with which the O-ring can be removed.

8. Clean oil filter housing -1- and replace O-ring seal. Clean oil filter housing thoroughly inside and outside and replace the O-ring. Carefully lever off O-ring. The oil filter housing must not be damaged during this procedure.



9. Install filter element.



Note!

- *Lightly oil O-ring when installing oil filter housing.*
10. Install oil filter housing and tighten to 25 Nm (19 ftlb.) using special tool (release key) 9204 . Lightly oil the O-ring when doing this. Tightening torque 25 Nm (19 ftlb.).
11. Fill with engine oil. The oil change quantity is 8.75 litres after a dripping time of approx. 20 minutes.
12. Fit the underside panel.

Tightening torques

Location	Thread	Tightening torque [Nm] (ftlb.)
Oil drain plugs	M18 x 1.5	50 (37)
Oil filter housing		25 (19)