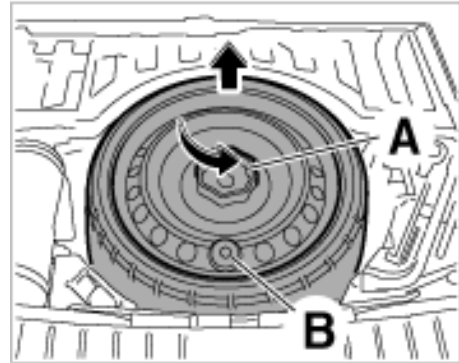


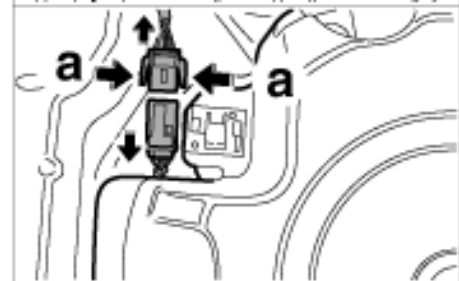
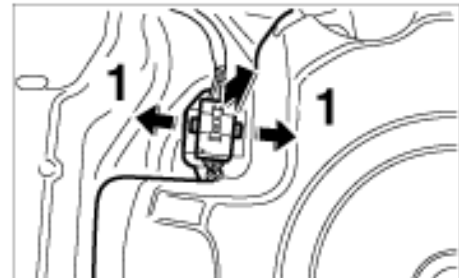
- *The subwoofer is installed together with the second battery instead of the spare wheel.*
- *The subwoofer is only used in conjunction with the Bose sound system.*
- Switch off all loads and remove ignition key.

Removing subwoofer

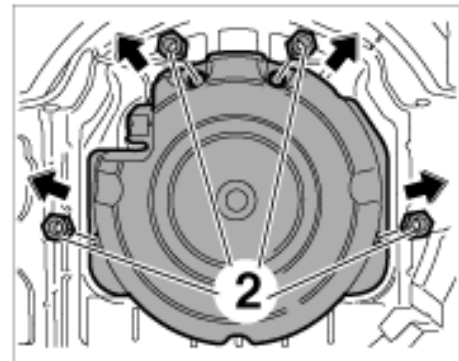
1. Remove collapsible spare wheel:
 - a. Remove twist grip **-A-** and fit it on bolt **-B-** .
 - b. Unscrew bolt **-B-** and remove it together with the collapsible spare wheel.



2. Disconnect plug connection:
 - a. Pull apart retaining bracket for plug connection on subwoofer **-1-** and remove the plug connection.
 - b. Squeeze plug connection **-a-** and pull connectors apart.



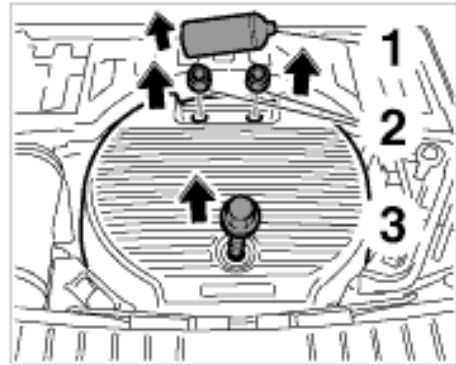
3. Remove subwoofer:
 - a. Undo the four fastening nuts **-2-** and remove subwoofer.



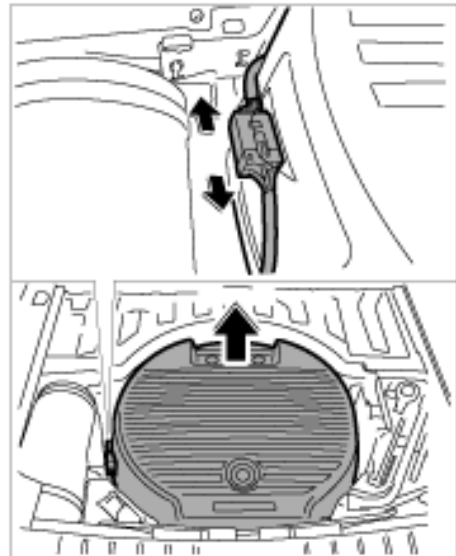
Removing subwoofer together with second battery

1. Remove subwoofer fastening:
 - a. Remove tyre sealant **-1-** if present.

- b. Unscrew the two fastening nuts -2- .
- c. Undo fastening screw -3- together with washer.



2. Disconnect electrical plug connection and remove subwoofer:

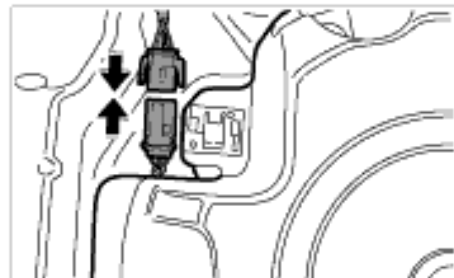
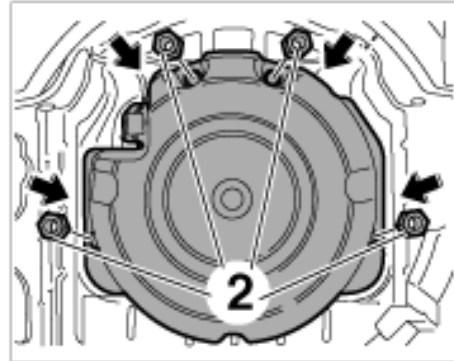


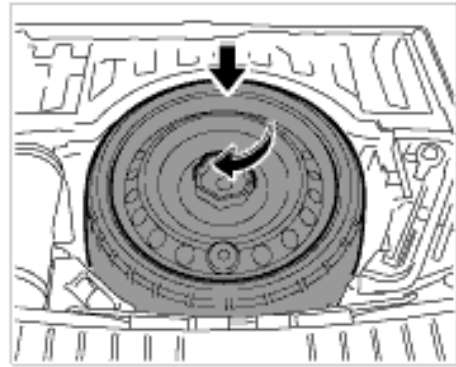
- a. Remove plug connection from retaining bracket on subwoofer and disconnect.
- b. Lift subwoofer up and out.

Installing subwoofer

Installing subwoofer

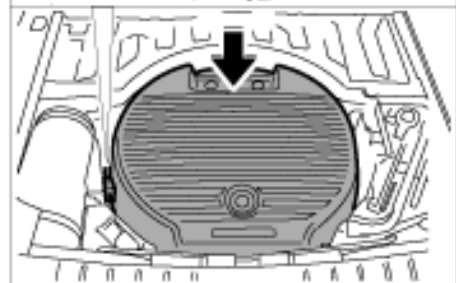
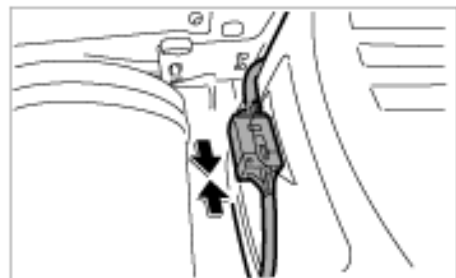
1. Position subwoofer and screw down:
 - a. Position subwoofer and screw down with the four fastening screws **-2-** . ⇒ **Page 80 'Tightening torques'**
2. Connect plug connection
 - a. Connect plug connection firmly until plug is felt to engage.
 - b. Insert plug connection in retaining bracket and press into place.
3. Fit collapsible spare wheel:
 - a. Place collapsible spare wheel in position.
 - b. Screw in the screw **-B-** .
 - c. Position twist grip **-A-** and tighten fastening screw **-B-** .



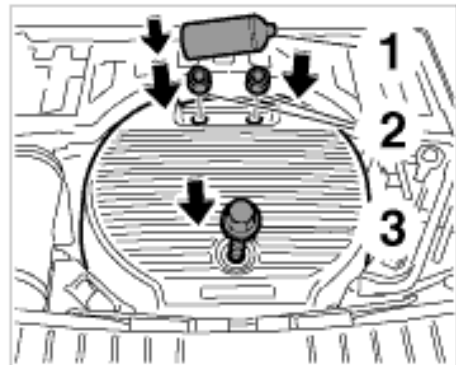


Installing subwoofer together with second battery

1. Install subwoofer:
 - a. Position subwoofer over battery box.
 - b. Connect electrical plug connection firmly until plug is felt to engage.
 - c. Position electrical plug connection on subwoofer.



2. Fasten subwoofer:
 - a. Insert fastening screw **-3-** together with washer and tighten.
 - b. Position the two fastening nuts **-2-** and tighten.
⇒ **Page 80** 'Tightening torques'
 - c. If present, place tyre sealant **-1-** in well.



Tightening torques

Location	Illustration	Thread	Tightening torque
----------	--------------	--------	-------------------

Fastening nut, subwoofer	-2-	M6	2	Nm (1.5 ftlb.)
--------------------------	-----	----	---	-------------------