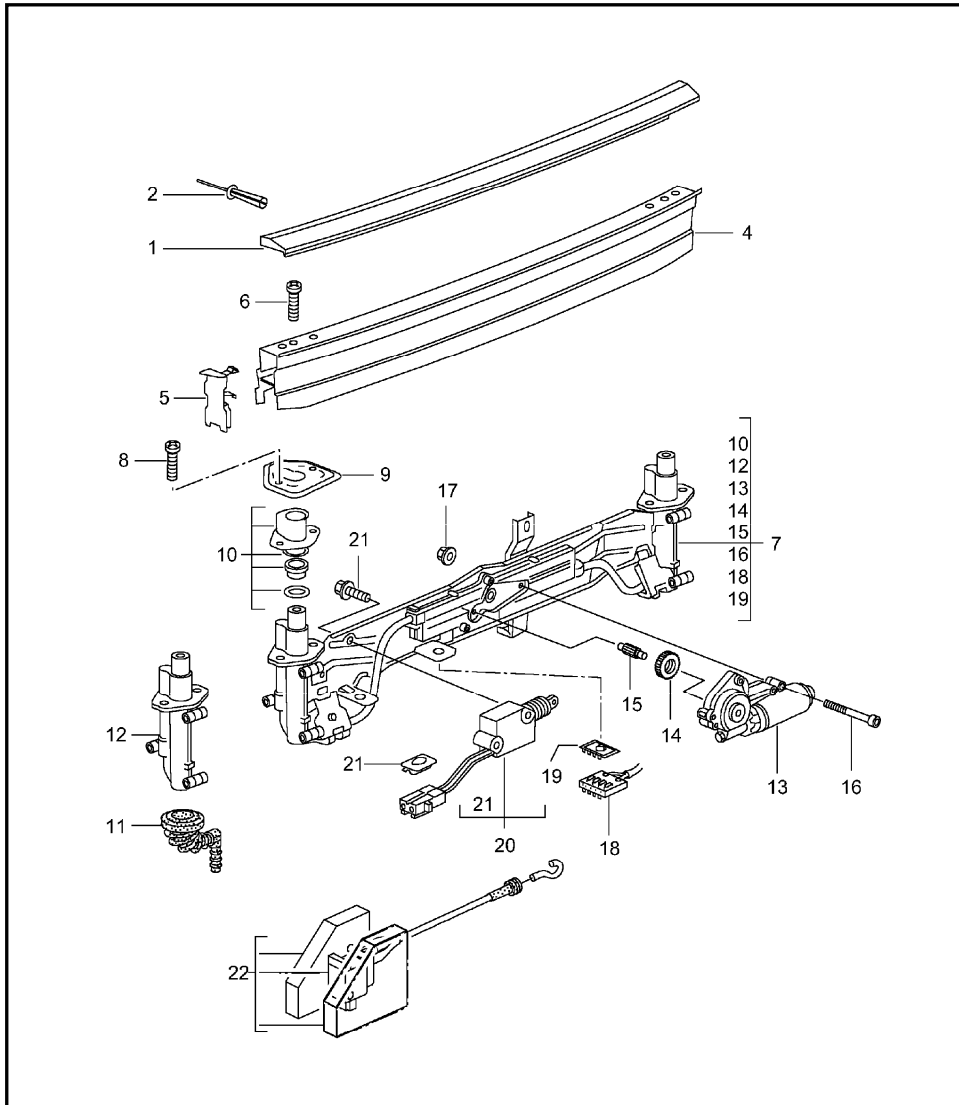


Model	Year	MG	SG	Illustration	Restrictions	UPD	14:25	04.02.2010	PORSCHE	PET	PORSCHE
986	2004	8	03	803-07		248	USA / CANADA				



Pos	Part Number	Description	Remark	Qty	Model
1	986 504 609 01	rear spoiler upper part		-02	1
	G2X	prime coated			
1	986 504 609 02	upper part		03-	1
	G2X	prime coated			
(2)	999 507 499 40	expansion rivet 5,0 X 11,5			3
4	986 504 613 01	bracket		-02	1
4	986 504 613 02	bracket		03-	1
5	986 504 615 01	cover	/L	-02	1
5	986 504 615 02	cover	/L	03-	1
(5)	986 504 616 01	cover	/R	-02	1
(5)	986 504 616 02	cover	/R	03-	1
6	999 218 016 02	pan-head screw M 6 X 16 micro-self-locking			2
7	986 504 109 00	driving mechanism			1
-	999 652 919 40	plug socket			1
-	999 652 567 22	connector			5
8	999 218 016 02	pan-head screw M 6 X 16 micro-self-locking			4
9	986 504 251 00	mounting plate			2
10	986 504 913 00	seal			2
11	986 504 915 00	water drain hose			1
12	986 504 911 00	hinge	/L		1
(12)	986 504 912 00	hinge	/R		1
13	996 624 151 00	electric motor			1
14	986 504 261 00	spur gear			1
15	986 504 263 00	axle			1