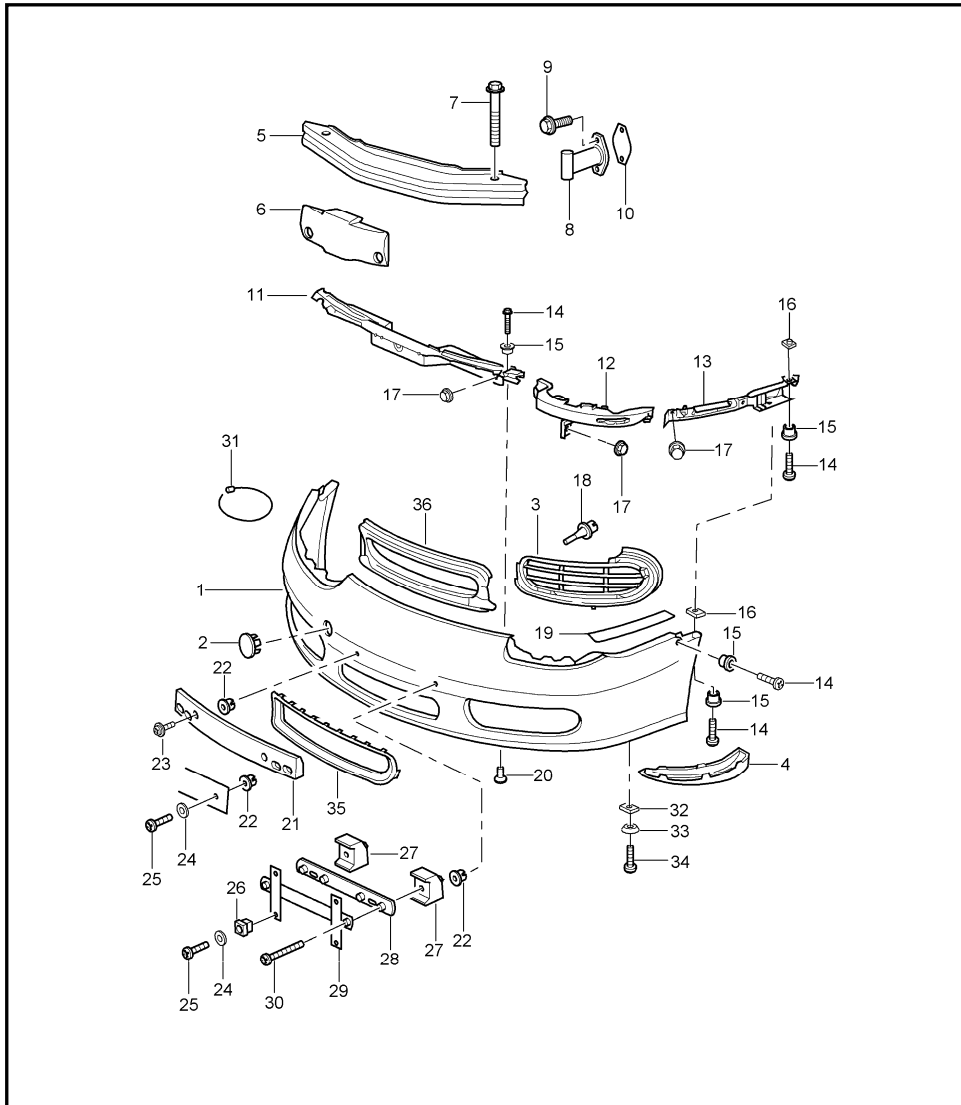


Model	Year	MG	SG	Illustration	Restrictions	UPD	14:25	04.02.2010	PORSCHE	PET	PORSCHE
986	2004	8	02	802-00		248	USA / CANADA				



Pos	Part Number	Description	Remark	Qty	Model
1	986 505 311 03	bumper front lining G2X prime coated		-02	1 M009
(1)	986 505 311 04	lining G2X prime coated		-02	1 M008
(1)	986 505 311 05	lining G2X prime coated		03-	1 M009
(1)	986 505 311 06	lining G2X prime coated		03-	1 M008
2	964 505 103 00	cap G2X prime coated		-02	1
(2)	986 505 511 00	cap G2X prime coated		03-	1
3	986 505 553 01	grille frame 01C satin black	/L	-02	1 M009
3	986 505 553 03	grille frame 01C satin black	/L	03-	1
(3)	986 505 554 01	grille frame 01C satin black	/R	-02	1 M009
(3)	986 505 554 03	grille frame 01C satin black	/R	03-	1
-	986 505 531 00	disc upper G2X prime coated	/L	03-	1
-	986 505 532 00	disc upper G2X prime coated	/R	03-	1
-	986 505 533 00	disc lower G2X prime coated	/L	03-	1

Model	Year	MG	SG	Illustration	Restrictions	UPD	14:25	04.02.2010	PORSCHE	PET	PORSCHE
986	2004	8	02	802-00		248	USA / CANADA				

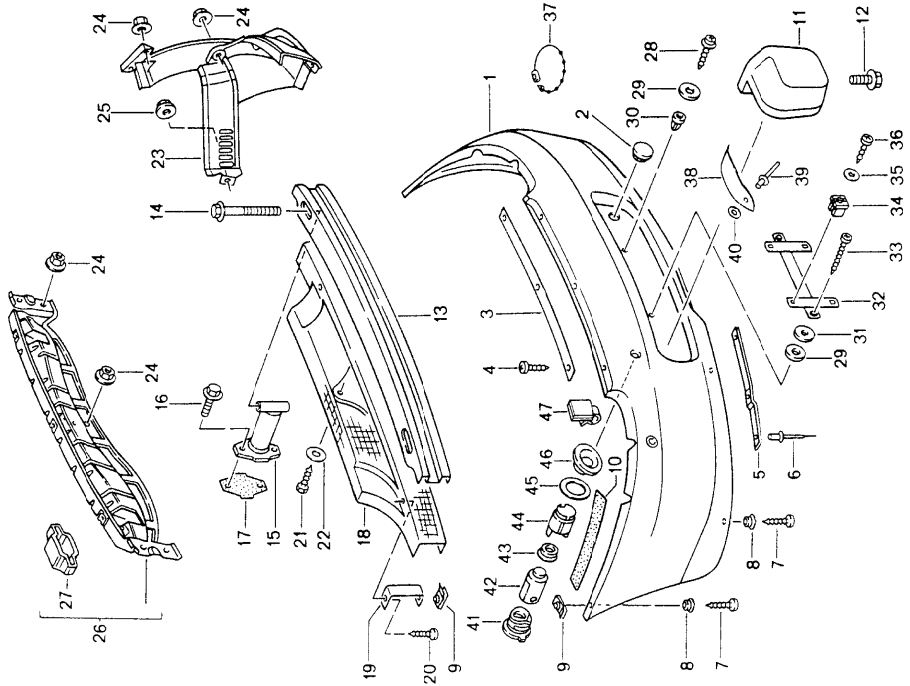
Pos	Part Number	Description	Remark	Qty	Model	Pos	Part Number	Description	Remark	Qty	Model
-	986 505 534 00	disc lower	/R 03-	1		17	999 084 633 09	hexagon nut M 6		X	
	G2X	prime coated				18	996 641 142 00	temperature sensor		1	
-	999 507 708 09	clamping washer		4		-	999 652 911 40	plug socket		1	
(3)	986 505 553 02	grille frame	/L -02	1	M008	-	999 652 934 22	connector		2	
	9A4	titanium metallic				-	999 650 127 40	gasket		2	
(3)	986 505 554 02	grille frame	/R -02	1	M008	19 A	999 911 606 40	adhesive tape		X	
	9A4	titanium metallic				19	000 043 204 83	adhesive tape roller 16,5 METER		X	
4	996 505 525 00	cover	/L	1		20	999 507 497 40	expansion rivet 8 X 14		2	
	01C	satin black				22	999 507 040 40	expander nut 4,2		X	
(4)	996 505 526 00	cover	/R	1		(22)	996 701 811 00	cap		2	M218
	01C	satin black					G2X	prime coated			
(5)	996 505 031 00	bumper reinforcement		1		23	900 143 151 02	combination screw 4,2 X 16		2	
6	996 505 777 00	foam part		1		24	900 025 024 40	washer		X	
7	900 378 088 09	hexagon-head bolt M 12 X 100		2		25	900 143 134 00	tapping screw B 4,2 X 9,5		X	
(8)	996 505 015 00	impact absorber		2		26	999 591 498 40	expander nut		4	
9	900 075 457 02	combination screw M 8 X 30		4		27	996 701 801 00	spacer	/L -02	1	
(10)	993 505 775 00	desk pad		2		(27)	996 701 802 00	spacer	/R -02	1	
11 A	996 505 531 00	retaining strip		1		(27)	986 701 801 00	spacer	/L 03-	1	
11	996 505 531 01	retaining strip centre		1		(27)	986 701 802 00	spacer	/R 03-	1	
12	996 505 539 00	bracket	/L	1		(29)	996 701 107 00	support		1	
(12)	996 505 540 00	bracket	/R	1		30	900 145 012 07	counters. head tapp. screw B 4,2 X 32		2	
13	996 505 535 00	retaining strip	/L	1		31	999 651 225 40	safety rope		1	
(13)	996 505 536 00	retaining strip	/R	1		32	999 591 699 02	speed nut St 4,8		4	
14	900 144 101 02	tapping screw B 4,8 X 19		X		34 A	999 073 198 09	tapping screw		4	
15	999 209 045 09	spacer		X							
16	999 507 072 02	speed nut B 4,8		X							

Model	Year	MG	SG	Illustration	Restrictions	UPD	14:25	04.02.2010	PORSCHE	PET	PORSCHE
986	2004	8	02	802-00		248	USA / CANADA				

Pos	Part Number	Description	Remark	Qty	Model	Pos	Part Number	Description	Remark	Qty	Model
34	999 073 227 09	shouldered bolt ST 4,8 X 19		4							
35	986 505 551 00	cover	-02	1	M008						
	G2X	prime coated									
35	986 505 551 01	cover	03-	1	M008						
	G2X	prime coated									
36	986 505 555 00	retaining frame	-02	1	M008						
	01C	satin black									
36	986 505 555 02	retaining frame	03-	1	M008						
	01C	satin black									
-	999 507 707 00	u-clamp		19	M008						

Model	986	Year	2004	MG	8	SG	02	802-05	Illustration	Restrictions	UPD	14:25	04.02.2010	PORSCHE	PET	PORSCHE
											248	USA / CANADA				

Pos	Part Number	Description	Remark	Qty	Model
1	986 505 411 00	bumper rear		1	M635
	G2X	lining			
		prime coated			
		it is necessary to rework			
		it is necessary to rework			
(1)	986 505 411 08	lining		1	
	G2X	prime coated			
(1)	A 986 505 411 09	lining		1	
	G2X	prime coated			
(1)	A 986 505 411 11	lining		1	M635
	G2X	prime coated			
2	964 505 103 00	cap		1	
	G2X	prime coated			
3	986 505 833 00	retaining strip		1	
(3)	986 505 833 01	retaining strip		1	
4	900 144 101 02	tapping screw B 4,8 X 19		3	
5	986 505 837 00	retaining strip	/L	1	
(5)	986 505 838 00	retaining strip	/R	1	
-	986 505 647 00	retaining frame	/L	1	
-	986 505 648 00	retaining frame	/R	1	
-	986 505 647 01	retaining frame	/L	1	M091
	M7Z	gt silver metallic	/R		
-	986 505 648 01	retaining frame		1	M091
	M7Z	gt silver metallic			
6	999 190 104 30	blind rivet 3,2 X 7,9		4	
7	A 999 073 198 09	tapping screw		8	
7	999 073 227 09	shouldered bolt SI 4,8 X 19		8	



Model	Year	MG	SG	Illustration	Restrictions	UPD	14:25	04.02.2010	PORSCHE	PET	PORSCHE
986	2004	8	02	802-05		248	USA / CANADA				

Pos	Part Number	Description	Remark	Qty	Model	Pos	Part Number	Description	Remark	Qty	Model
9	999 507 072 02	speed nut 4, 8		4		(23)	986 505 631 01	wheel-housing liner	/L	-02	
10	A 999 911 606 40	adhesive tape		X		(23)	986 505 631 02	wheel-housing liner	/L	03-	
10	000 043 204 83	adhesive tape roller 16,5 METER		X		23	986 505 632 01	wheel-housing liner	/R	-02	
11	986 505 425 00	buffer	/L	1		(23)	986 505 632 02	wheel-housing liner	/R	03-	
		70C rally black				24	999 084 633 09	hexagon nut M 6		11	
(11)	986 505 426 00	buffer	/R	1		25	999 049 022 40	plastic nut T 5		2	
(11)	986 505 425 01	buffer	/L	1	M 91	26	986 505 641 00	retaining strip	-02	1	
		M7Z gt silver metallic				(26)	986 505 641 01	retaining strip	03-	1	
(11)	986 505 426 01	buffer	/R	1	M 91	27	986 505 851 00	spacer		2	
		M7Z gt silver metallic				29	999 025 235 40	rubber washer		X	
12	900 067 271 09	combination screw M 8 X 20		2		30	999 507 040 40	expander nut 4,2		2	
13	986 505 021 01	bumper reinforcement		1		31	914 571 903 10	rubber washer		2	
14	900 378 088 09	hexagon-head bolt M 12 X 100		2		(32)	996 701 107 00	support		1	
(15)	996 505 015 00	impact absorber		2		33	900 143 043 02	tapping screw B 4,2 X 22		2	
16	900 075 457 02	hexagon-head bolt M 8 X 30		4		34	999 591 498 40	special nut		X	
(17)	A 964 505 775 00	desk pad		2		35	900 025 024 40	washer 4,3 X 9		X	
(17)	996 505 775 00	desk pad		2		36	900 143 134 00	tapping screw 4,2 X 9,5		X	
18	986 505 475 00	heat protection	-02	1		37	999 651 225 40	safety rope		1	
18	986 505 475 01	heat protection	03-	1		38	986 505 811 01	heat protection	-02	1	
19	986 505 639 00	rear support	-02	2		(38)	986 505 811 02	heat protection	03-	1	
(19)	986 505 639 01	rear support	03-	2		39	999 190 463 30	blind rivet A 4,0 X 13,0		2	
20	999 075 048 02	combination screw M 6 X 22		2		40	900 151 028 02	washer 4,3		2	
21	900 278 025 02	hexagon-head bolt M 5 X 12		1		41	996 505 669 00	retainer spring outer	-02	2	M635
22	999 025 243 02	spacer		1		(41)	986 505 869 00	retainer spring outer	03-	2	M635