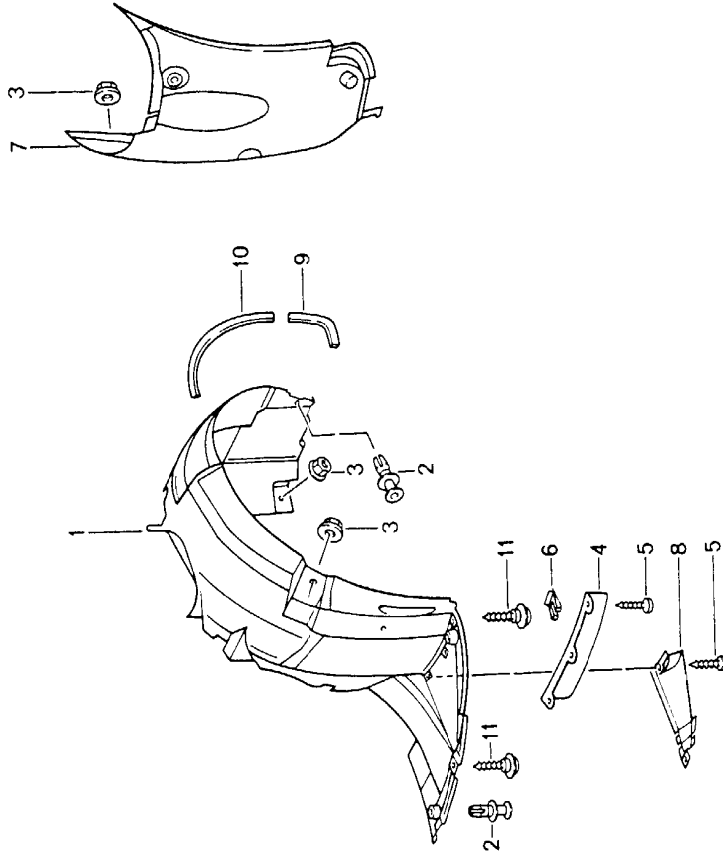


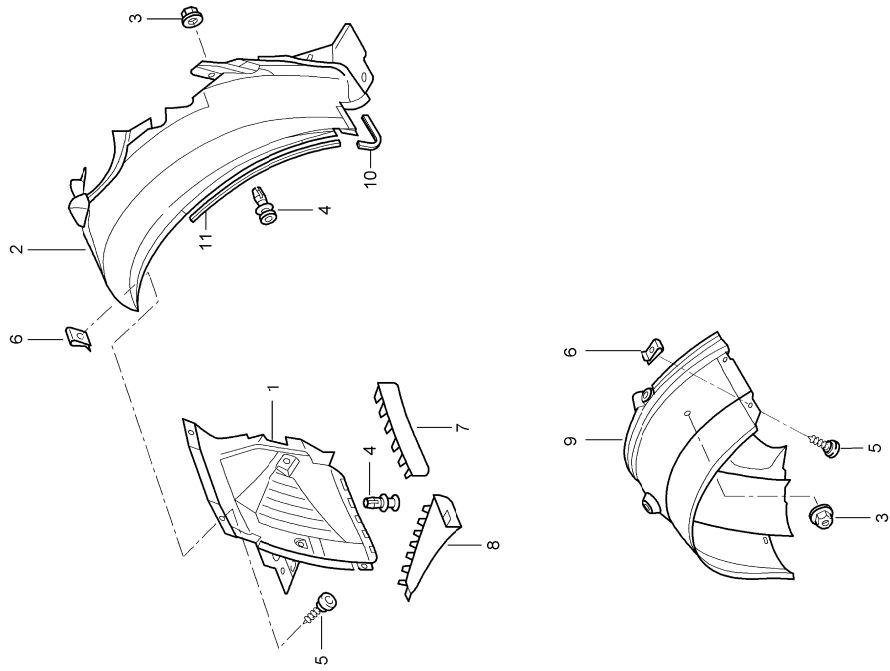
|       |      |    |    |              |              |     |              |            |         |     |         |
|-------|------|----|----|--------------|--------------|-----|--------------|------------|---------|-----|---------|
| Model | Year | MG | SG | Illustration | Restrictions | UPD | 19:22        | 05.02.2010 | PORSCHE | PET | PORSCHE |
| 996   | 2005 | 8  | 01 | 801-75       |              | 248 | USA / CANADA |            |         |     |         |

| Pos | Part Number    | Description                 | Remark | Qty | Model |
|-----|----------------|-----------------------------|--------|-----|-------|
|     |                | linings for wheel housing   |        |     |       |
| 1   | 996 504 203 06 | wheel-housing liner         | /L     | 1   |       |
| (1) | 996 504 204 06 | wheel-housing liner         | /R     | 1   |       |
| 2   | 999 507 497 40 | expansion rivet 8,0 X 14,0  |        | 13  |       |
| 3   | 999 049 022 40 | plastic nut T5              |        | 10  |       |
| 4   | 996 504 503 00 | rubber lip                  | /L     | 1   |       |
| (4) | 996 504 504 00 | rubber lip                  | /R     | 1   |       |
| 5   | 999 073 061 02 | tapping screw ST 4,8 X 16   |        | 6   |       |
| 6   | 999 591 699 02 | speed nut ST 4,8            |        | 12  |       |
| 7   | 996 504 573 02 | wheel-housing liner         | /L     | 1   |       |
| (7) | 996 504 574 02 | wheel-housing liner         | /R     | 1   |       |
| 8   | 996 504 603 00 | air duct                    | /L     | 1   |       |
| (8) | 996 504 604 00 | air duct                    | /R     | 1   |       |
| 9   | 999 911 663 40 | sealing strap 10 X 10 X 180 |        | 2   |       |
| 10  | 999 911 695 40 | sealing strap 10 X 30 X 680 |        | 2   |       |
| 11  | 999 073 227 09 | shouldered bolt ST 4,8 X 19 |        | 4   |       |



|       |     |      |      |    |   |    |    |              |        |              |     |     |       |            |              |         |     |         |
|-------|-----|------|------|----|---|----|----|--------------|--------|--------------|-----|-----|-------|------------|--------------|---------|-----|---------|
| Model | 996 | Year | 2005 | MG | 8 | SG | 01 | Illustration | 801-80 | Restrictions | UPD | 248 | 19:22 | 05.02.2010 | USA / CANADA | PORSCHE | PET | PORSCHE |
|-------|-----|------|------|----|---|----|----|--------------|--------|--------------|-----|-----|-------|------------|--------------|---------|-----|---------|

| Pos | Part Number    | Description                | Remark | Qty | Model        |
|-----|----------------|----------------------------|--------|-----|--------------|
|     |                | linings for wheel housing  |        |     |              |
| 1   | 996 504 123 00 | wheel-housing liner        | /L/V   | 1   | C4S          |
| (1) | 996 504 123 01 | wheel-housing liner        | /L/V   | 1   | CABRIO TARGA |
| (1) | 996 504 123 03 | wheel-housing liner front  | /L/V   | 1   | CABRIO TARGA |
| (1) | 996 504 124 00 | wheel-housing liner        | /R/V   | 1   | C4S          |
| (1) | 996 504 124 01 | wheel-housing liner        | /R/V   | 1   | C4S          |
| (1) | 996 504 124 03 | wheel-housing liner front  | /R/V   | 1   | CABRIO TARGA |
| 2   | 996 504 103 00 | wheel-housing liner        | /L/H   | 1   | C4S          |
| 2   | 996 504 203 08 | wheel-housing liner front  | /L/H   | 1   | C4S          |
| (2) | 996 504 104 00 | wheel-housing liner        | /R/H   | 1   | C4S          |
| (2) | 996 504 204 08 | wheel-housing liner front  | /R/H   | 1   | C4S          |
| 3   | 999 049 022 40 | plastic nut T5             |        | X   |              |
| 4   | 999 507 497 40 | expansion rivet 8,0 X 14,0 |        | X   |              |
| 5   | N 906 487 02   | tapping screw ST 4,8 X 16  |        | X   |              |
| 6   | 999 507 668 01 | speed nut ST 4,8           |        | X   |              |
| 7   | 996 504 503 02 | rubber lip                 | /L     | 1   | C4S          |
| (7) | 996 504 503 03 | rubber lip                 | /L     | 1   | C4S          |
| (7) | 996 504 504 02 | rubber lip                 | /R     | 1   | C4S          |
| (7) | 996 504 504 03 | rubber lip                 | /R     | 1   | C4S          |
| 8   | 996 504 603 01 | air duct                   | /L     | 1   | C4S          |
| 8   | 996 504 603 02 | air duct                   | /L     | 1   | C4S          |
| 8   | 996 504 603 03 | air duct                   | /L     | 1   | CABRIO TARGA |

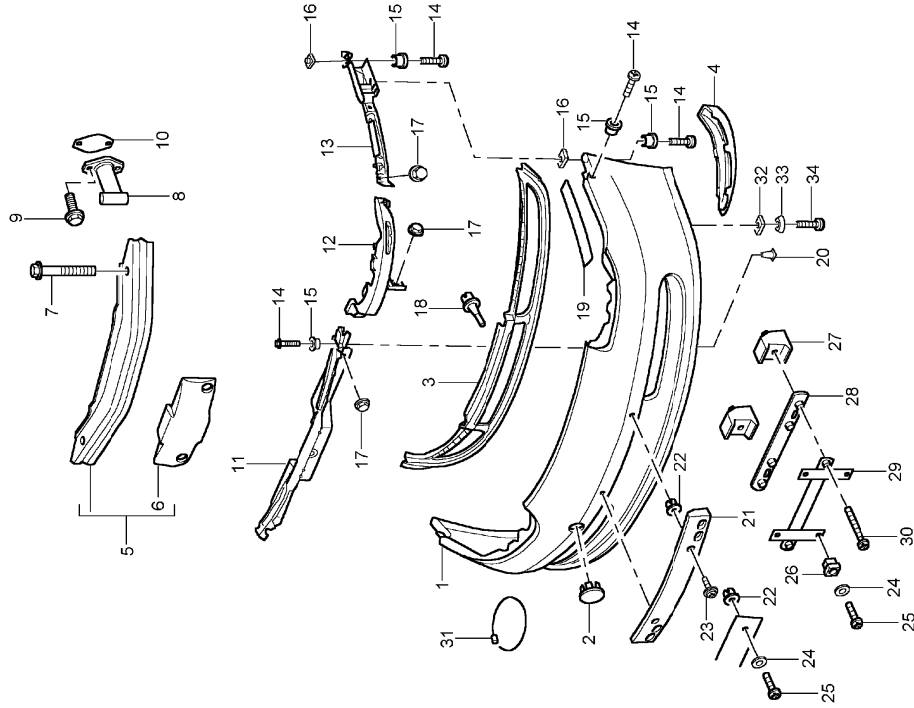


|       |      |    |    |              |              |     |       |            |         |     |         |
|-------|------|----|----|--------------|--------------|-----|-------|------------|---------|-----|---------|
| Model | Year | MG | SG | Illustration | Restrictions | UPD | 19:22 | 05.02.2010 | PORSCHE | PET | PORSCHE |
| 996   | 2005 | 8  | 01 | 801-80       |              | 248 |       |            |         |     |         |

| Pos | Part Number    | Description                    | Remark | Qty | Model           | Pos | Part Number | Description | Remark | Qty | Model |
|-----|----------------|--------------------------------|--------|-----|-----------------|-----|-------------|-------------|--------|-----|-------|
| (8) | 996 504 604 01 | air duct                       | /R     | 1   | C4S             |     |             |             |        |     |       |
| (8) | 996 504 604 02 | air duct                       | /R     | 1   |                 |     |             |             |        |     |       |
| (8) | 996 504 604 03 | air duct                       | /R     | 1   | CABRIO<br>TARGA |     |             |             |        |     |       |
| 9   | 996 504 573 01 | wheel-housing liner            | /L     | 1   | C4S             |     |             |             |        |     |       |
| 9   | 996 504 573 02 | wheel-housing liner<br>rear    | /L     | 1   |                 |     |             |             |        |     |       |
| (9) | 996 504 574 01 | wheel-housing liner            | /R     | 1   | C4S             |     |             |             |        |     |       |
| (9) | 996 504 574 02 | wheel-housing liner<br>rear    | /R     | 1   |                 |     |             |             |        |     |       |
| 10  | 999 911 663 40 | sealing strap<br>10 X 10 X 180 |        | 2   |                 |     |             |             |        |     |       |
| 11  | 999 911 695 40 | sealing strap<br>10 X 30 X 680 |        | 2   |                 |     |             |             |        |     |       |

|       |      |    |    |              |              |     |              |            |         |     |         |
|-------|------|----|----|--------------|--------------|-----|--------------|------------|---------|-----|---------|
| Model | Year | MG | SG | Illustration | Restrictions | UPD | 19:22        | 05.02.2010 | PORSCHE | PET | PORSCHE |
| 996   | 2005 | 8  | 02 | 802-00       |              | 248 | USA / CANADA |            |         |     |         |

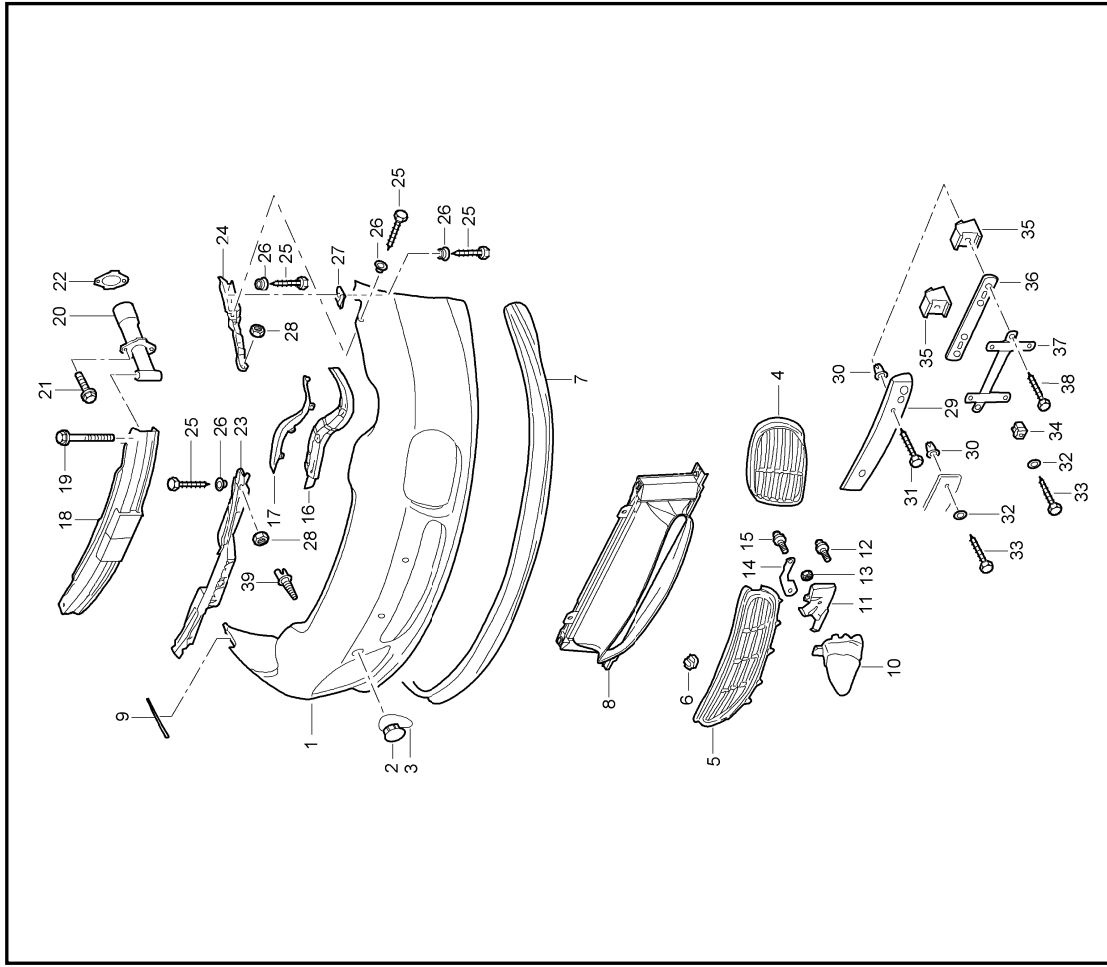
| Pos | Part Number    | Description                     | Remark | Qty | Model |
|-----|----------------|---------------------------------|--------|-----|-------|
| 1   | 996 505 311 04 | bumper front                    |        | 1   |       |
|     | G2X            | lining                          | -01    |     |       |
|     | G2X            | prime coated                    |        |     |       |
| (1) | 996 505 311 06 | lining                          | 02-    | 1   |       |
|     | G2X            | prime coated                    |        |     |       |
| 2   | 964 505 103 00 | cap                             |        | 1   |       |
|     | G2X            | prime coated                    |        |     |       |
| 3   | 996 505 553 04 | air inlet                       | -01    | 1   | M480  |
|     | 01C            | satin black                     |        |     |       |
| (3) | 996 505 561 01 | air inlet                       | 02-    | 1   | M480  |
|     | 01C            | satin black                     |        |     |       |
| (3) | 996 505 553 05 | air inlet                       | -01    | 1   | M249  |
|     | 01C            | satin black                     |        |     |       |
| (3) | 996 505 561 02 | air inlet                       | 02-    | 1   | M249  |
|     | 01C            | satin black                     |        |     |       |
| 4   | 996 505 525 00 | cover                           | /L     | 1   |       |
|     | 01C            | satin black                     |        |     |       |
| 4   | 996 505 525 01 | cover                           | /L     | 1   |       |
|     | 01C            | satin black                     |        |     |       |
| (4) | 996 505 526 00 | cover                           | /R     | 1   |       |
|     | 01C            | satin black                     |        |     |       |
| (4) | 996 505 526 01 | cover                           | /R     | 1   |       |
|     | 01C            | satin black                     |        |     |       |
| (5) | 996 505 031 00 | bumper reinforcement            |        | 1   |       |
| 6   | 996 505 777 00 | foam part                       |        | 1   |       |
| 7   | 900 378 088 09 | hexagon-head bolt<br>M 12 X 100 |        | 2   |       |
| (8) | 996 505 015 00 | impact absorber                 |        | 2   |       |



| Model |                       | Year                                  | MG     | SG  | Illustration | Restrictions | UPD              | 19:22                                    | 05.02.2010 | PORSCHE |       | PET |  | PORSCHE |  |
|-------|-----------------------|---------------------------------------|--------|-----|--------------|--------------|------------------|--|------------|---------|-------|-----|--|---------|--|
| 996   |                       | 2005                                  | 8      | 02  | 802-00       |              | 248              | USA / CANADA                             |            |         |       |     |  |         |  |
| Pos   | Part Number           | Description                           | Remark | Qty | Model        | Pos          | Part Number      | Description                              | Remark     | Qty     | Model |     |  |         |  |
| 9     | 900 075 457 02        | combination screw<br>M 8 X 30         |        | 4   |              | 22           | 999 507 040 40   | expander nut<br>4,2                      |            | X       |       |     |  |         |  |
| (10)  | 996 505 775 01        | desk pad                              |        | 2   |              | (22)         | 996 701 811 00   | cap                                      |            | 2       | M218  |     |  |         |  |
| 11    | A 996 505 531 00      | retaining strip                       | -01    | 1   |              |              | G2X              | prime coated                             |            |         |       |     |  |         |  |
| 11    | 996 505 531 01        | retaining strip<br>centre             |        | 1   |              | 23           | 900 143 151 02   | combination screw<br>4,2 X 16            |            | 2       |       |     |  |         |  |
| 12    | 996 505 539 00        | bracket                               | /L     | 1   |              | 24           | 900 025 024 40   | washer                                   |            | X       |       |     |  |         |  |
| 12    | 996 505 539 02        | bracket                               | /L     | 1   |              | 25           | 900 143 134 00   | tapping screw<br>B 4,2 X 9,5             |            | X       |       |     |  |         |  |
| (12)  | 996 505 540 00        | bracket                               | /R     | 1   |              | 26           | 999 591 498 40   | expander nut                             |            | 4       |       |     |  |         |  |
| (12)  | 996 505 540 02        | bracket                               | /R     | 1   |              | 27           | 996 701 801 00   | spacer                                   | /L         | 1       |       |     |  |         |  |
| -     | 996 505 741 01        | cover                                 | /L     | 1   |              | (27)         | 996 701 802 00   | spacer                                   | /R         | 1       |       |     |  |         |  |
| -     | 01C<br>996 505 742 01 | cover<br>satin black                  | /R     | 1   |              | (29)         | 996 701 107 00   | support                                  |            | 1       |       |     |  |         |  |
| 13    | 996 505 535 00        | retaining strip                       | /L     | 1   |              | 30           | 900 145 012 07   | counters. head tapp. screw<br>B 4,2 X 32 |            | 2       |       |     |  |         |  |
| 13    | 996 505 535 03        | retaining strip                       | /L     | 1   |              | 31           | 999 651 225 40   | safety rope                              |            | 1       |       |     |  |         |  |
| (13)  | 996 505 536 00        | retaining strip                       | /R     | 1   |              | 32           | 999 591 699 02   | speed nut<br>ST 4,8                      |            | 4       |       |     |  |         |  |
| (13)  | 996 505 536 03        | retaining strip                       | /R     | 1   |              | 34           | A 999 073 198 09 | tapping screw                            |            | 4       |       |     |  |         |  |
| 14    | 900 144 101 02        | tapping screw<br>B 4,8 X 19           | /R     | 1   |              | 34           | 999 073 227 09   | shouldered bolt<br>ST 4,8 X 19           |            | 4       |       |     |  |         |  |
| 15    | 999 209 045 09        | spacer                                |        | X   |              |              |                  |  |            |         |       |     |  |         |  |
| 16    | 999 507 072 02        | speed nut<br>B 4,8                    |        | X   |              |              |                  |  |            |         |       |     |  |         |  |
| 17    | 999 084 633 09        | hexagon nut<br>M 6                    |        | X   |              |              |                  |  |            |         |       |     |  |         |  |
| 18    | 996 641 142 00        | temperature sensor                    |        | 1   |              |              |                  |  |            |         |       |     |  |         |  |
| 19    | A 999 911 606 40      | adhesive tape                         |        | X   |              |              |                  |  |            |         |       |     |  |         |  |
| 19    | 000 043 204 83        | adhesive tape<br>roller<br>16,5 METER |        | X   |              |              |                  |  |            |         |       |     |  |         |  |
| 20    | 999 507 497 40        | expansion rivet<br>8 X 14             |        | 2   |              |              |                  |  |            |         |       |     |  |         |  |

|       |     |      |      |    |   |    |    |        |              |     |     |              |            |         |     |         |
|-------|-----|------|------|----|---|----|----|--------|--------------|-----|-----|--------------|------------|---------|-----|---------|
| Model | 996 | Year | 2005 | MG | 8 | SG | 02 | 802-02 | Restrictions | UPD | 248 | 19:23        | 05.02.2010 | PORSCHE | PET | PORSCHE |
|       |     |      |      |    |   |    |    |        |              |     |     | USA / CANADA |            |         |     |         |

| Pos  | Part Number    | Description                | Remark | Qty | Model |
|------|----------------|----------------------------|--------|-----|-------|
| 1    | 996 505 311 05 | bumper front               |        | 1   | C4S   |
| 2    | 964 505 103 00 | lining                     |        | 1   |       |
| 3    | 999 651 225 40 | prime coated               |        | 1   |       |
| (4)  | 996 505 563 01 | cap                        | /L     | 1   |       |
| (4)  | 996 505 564 01 | prime coated               | /R     | 1   |       |
| 4    | 996 505 563 03 | safety rope                |        | 1   | M095  |
| (4)  | 996 505 564 03 | air inlet                  | /L     | 1   | M095  |
| 5    | 996 505 561 03 | air inlet                  |        | 1   |       |
| 6    | 999 507 751 02 | silver metallic            |        | X   |       |
| 7    | 996 505 555 02 | air inlet                  |        | 1   |       |
| 8    | 996 504 085 00 | u-clamp                    |        | 1   | M095  |
| 9    | 996 504 627 00 | spoiler                    |        | 2   |       |
| 10   | 996 505 527 00 | protective film            | /L     | 1   |       |
| (10) | 996 505 528 00 | buffer                     |        | 1   |       |
| 11   | 996 505 533 00 | rally black                |        | 1   |       |
| (11) | 996 505 534 00 | buffer                     |        | 1   |       |
| 12   | 900 378 158 09 | rally black mounting       |        | 1   |       |
|      |                | hexagon-head bolt M 6 X 16 |        | 2   |       |



|       |      |    |    |              |              |     |              |            |         |     |         |
|-------|------|----|----|--------------|--------------|-----|--------------|------------|---------|-----|---------|
| Model | Year | MG | SG | Illustration | Restrictions | UPD | 19:23        | 05.02.2010 | PORSCHE | PET | PORSCHE |
| 996   | 2005 | 8  | 02 | 802-02       |              | 248 | USA / CANADA |            |         |     |         |

| Pos  | Part Number    | Description                     | Remark | Qty | Model | Pos  | Part Number    | Description                  | Remark | Qty | Model |
|------|----------------|---------------------------------|--------|-----|-------|------|----------------|------------------------------|--------|-----|-------|
| 13   | 999 209 044 09 | spacer                          |        | 2   |       | 33   | 900 143 134 00 | tapping screw<br>B 4,2 X 9,5 |        | X   |       |
| 14   | 996 505 523 00 | desk pad                        | /L     | 1   |       | 34   | 999 591 498 40 | expander nut                 |        | 4   |       |
| (14) | 996 505 524 00 | desk pad                        | /R     | 1   |       | 35   | 996 701 801 00 | spacer                       | /L     | 1   |       |
| 15   | 900 067 148 02 | pan-head screw<br>M 5 X 25      |        | 2   |       | (35) | 996 701 802 00 | spacer                       | /R     | 1   |       |
| 16   | 996 505 539 03 | bracket                         | /L     | 1   |       | 37   | 996 701 107 00 | support                      |        | 1   | M218  |
| (16) | 996 505 540 03 | bracket                         | /R     | 1   |       | 38   | 900 144 182 09 | tapping screw<br>B 4,2 X 32  |        | 2   |       |
| 17   | 996 505 741 02 | cover                           | /L     | 1   |       | 39   | 996 641 142 00 | temperature sensor           |        | 1   |       |
| (17) | 996 505 742 02 | cover                           | /R     | 1   |       |      |                |                              |        |     |       |
|      |                | 01C satin black                 |        |     |       |      |                |                              |        |     |       |
| (18) | 996 505 011 03 | bumper reinforcement            |        | 1   |       |      |                |                              |        |     |       |
| 19   | 900 378 088 09 | hexagon-head bolt<br>M 12 X 100 |        | 2   |       |      |                |                              |        |     |       |
| 20   | 996 505 015 00 | impact absorber                 |        | 2   |       |      |                |                              |        |     |       |
| 21   | 900 075 457 02 | combination screw<br>M 8 X 30   |        | 4   |       |      |                |                              |        |     |       |
| 22   | 996 505 775 00 | desk pad                        |        | 2   |       |      |                |                              |        |     |       |
| 23   | 996 505 531 01 | retaining strip                 |        | 1   |       |      |                |                              |        |     |       |
| 24   | 996 505 535 03 | retaining strip                 |        | 1   |       |      |                |                              |        |     |       |
| (24) | 996 505 536 03 | retaining strip                 | /L     | 1   |       |      |                |                              |        |     |       |
| 25   | 900 144 101 02 | tapping screw<br>ST 4,8 X 19    | /R     | 9   |       |      |                |                              |        |     |       |
| 26   | 999 209 045 09 | spacer                          |        | 9   |       |      |                |                              |        |     |       |
| 27   | 999 507 072 02 | speed nut<br>ST 4,8             |        | X   |       |      |                |                              |        |     |       |
| 28   | 999 076 048 02 | hexagon nut<br>M 6              |        | 11  |       |      |                |                              |        |     |       |
| 30   | 999 507 040 40 | expander nut<br>4,2             |        | X   |       |      |                |                              |        |     |       |
| 31   | 999 073 080 02 | tapping screw                   |        | X   |       |      |                |                              |        |     |       |
| 32   | 900 025 024 40 | washer                          |        | X   |       |      |                |                              |        |     |       |