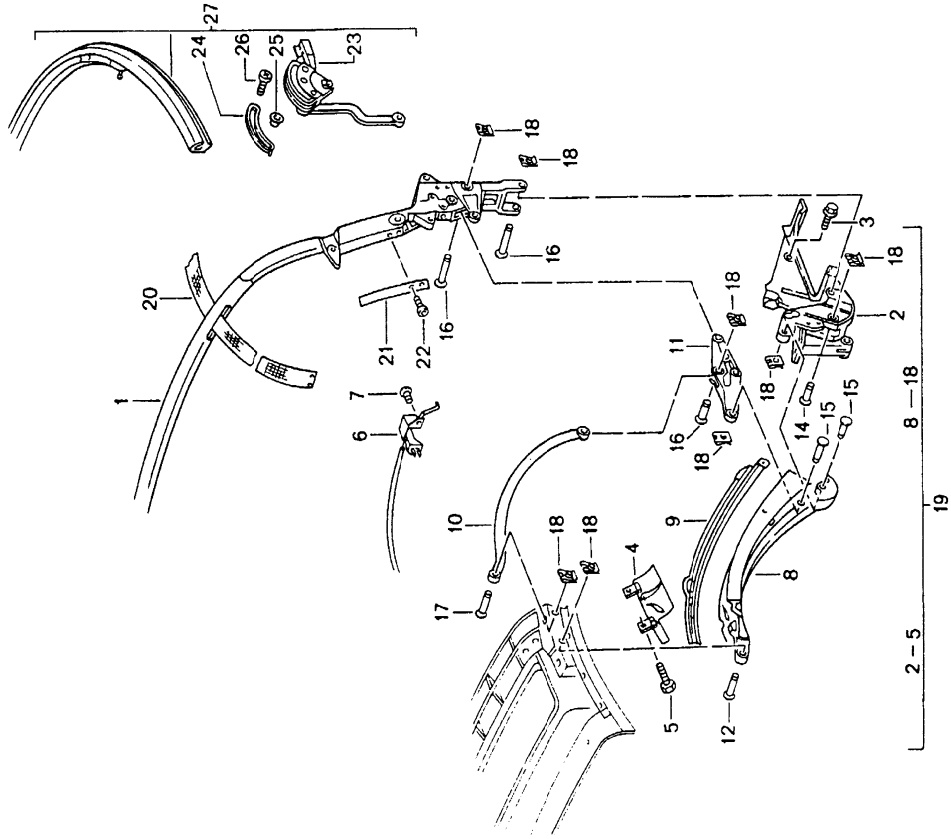


Model	986	Year	2004	MG	8	SG	11	Illustration	811-05	Restrictions	UPD	248	14:31	04.02.2010	PORSCHE	PET	PORSCHE
													USA / CANADA				

Pos	Part Number	Description	Remark	Qty	Model
1	986 561 037 00	convertible top frame single parts		1	
1	70C	main folding top bow		1	
1	986 561 037 01	black		1	M008
1	70C	main folding top bow		1	
1	986 561 037 03	black	03-	1	
2	A09	main folding top bow		1	
2	986 561 443 00	convertible top support	/L	1	
(2)	70C	black		1	
(2)	986 561 444 00	convertible top support	/R	1	
3	70C	black		6	
3	900 378 033 09	hexagon-head bolt		1	
4	986 561 165 00	flap		1	
4	A09	black		1	
4	986 561 166 00	flap		1	
5	A09	black		2	
5	999 919 141 09	oval-head screw		1	
6	986 613 101 02	microswitch		1	
7	999 919 152 09	oval-head screw		1	
8	986 561 935 00	b-pillar	/L	1	
(8)	A09	black		1	
(8)	986 561 936 00	b-pillar	/R	1	
--	A09	black		2	
--	986 561 646 00	support for		1	
--	986 561 656 00	tension rope		1	
9	986 561 909 00	clamping strip	/L	1	
(9)	986 561 910 00	clamping strip	/R	1	
10	986 561 039 00	control arm	/L	1	

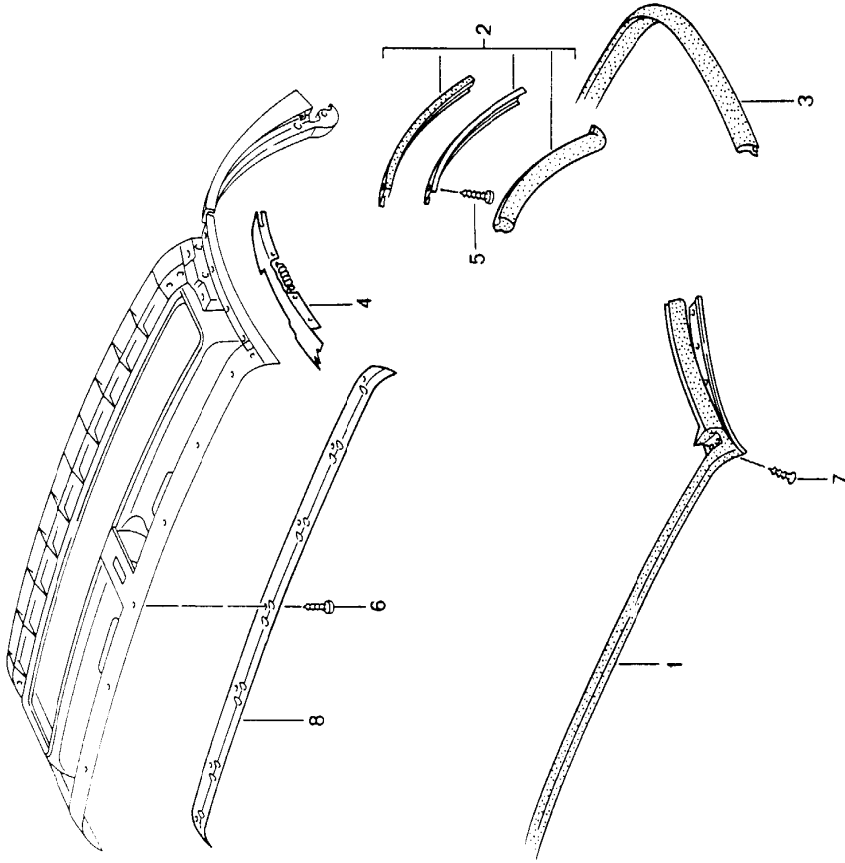


Model	Year	MG	SG	Illustration	Restrictions	UPD	14:31	04.02.2010	PORSCHE	PET	PORSCHE
986	2004	8	11	811-05		248	USA / CANADA				

Pos	Part Number	Description	Remark	Qty	Model	Pos	Part Number	Description	Remark	Qty	Model
(10)	70C 986 561 040 00	black control arm	/R	1		--	986 561 905 00	pipings b-pillar	/L	1	
11	70C 986 561 345 00	black steering arm	/L	1		--	986 561 906 00	pipings b-pillar	/R	1	
(11)	986 561 346 00	lower steering arm	/R	1		23	986 561 247 00	connecting piece	/L	1	-02
12	999 088 042 30	bolt 8M 6X25,8		X		23	70C 986 561 248 00	connecting piece	/R	1	-02
14	999 088 042 30	bolt 8M 6X25,8		X		24	70C 986 561 871 00	black guide		4	-02
15	999 088 042 30	bolt 8M 6X25,8		X		25	999 924 118 40	bush		X	-02
16	999 088 028 30	bolt 8M 6X70,8		X		26	999 919 144 09	lens-head screw		4	-02
17	999 088 030 30	bolt 8M 6X45,8		X		27	986 561 901 02	roof strut		1	-02
18	999 166 075 02	lock		X		(27)	986 561 901 03	roof strut		1	03-
19	986 561 911 03	convertible top frame		X		28	986 561 237 01	roof strut		1	03-
19	A09 986 561 911 04	black convertible top frame		1		29	986 561 671 02	cover	/L	1	03-
20	A09 986 561 971 01	black without roll-over bar		1		(29)	986 561 672 02	cover	/R	1	03-
20	986 561 971 03	belt		1		30	986 561 675 01	cover	/L	1	03-
20	986 561 972 01	belt		1		(30)	986 561 676 01	cover	/R	1	03-
20	986 561 972 03	belt		1		31	999 088 042 30	bolt		2	03-
--	900 333 001 30	blind rivet		X		32	999 088 043 30	bolt		2	03-
21	986 561 769 00	leaf spring		2		33	986 561 973 00	restraining strap		2	03-
22	999 919 139 09	lens-head screw		4		34	986 612 315 00	wiring harness		1	03-
--	986 561 671 00	cover	/L	1							
--	986 561 672 00	cover	/R	1							

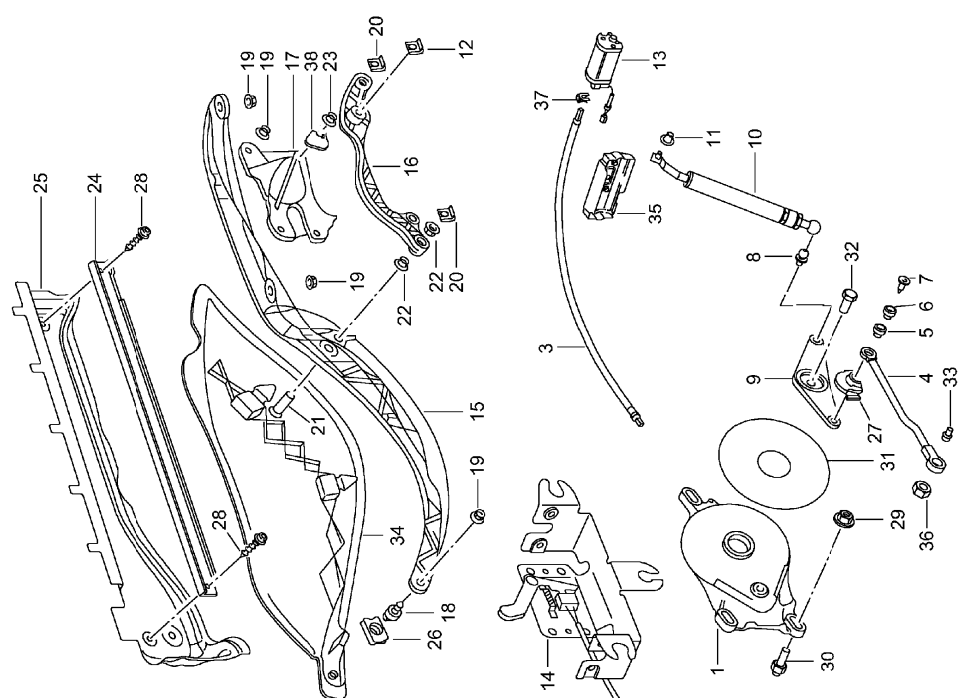
Model	986	Year	2004	MG	8	SG	11	Illustration	811-10	Restrictions	UPD	248	14:31	04.02.2010	USA / CANADA	PORSCHE	PET	PORSCHE
-------	-----	------	------	----	---	----	----	--------------	--------	--------------	-----	-----	-------	------------	--------------	---------	-----	---------

Pos	Part Number	Description	Remark	Qty	Model
1	986 561 927 01	convertible top seal	-02	1	
1	986 561 927 02	roof frame seal	03-	1	
-	986 561 813 01	filler piece	/L	1	
-	986 561 814 01	filler piece	/R	1	
2	986 561 923 01	gasket set b-pillar	-02	1	
2	986 561 923 02	gasket set b-pillar	/L	1	
(2)	986 561 924 01	gasket set b-pillar	/R	1	
(2)	986 561 924 02	gasket set b-pillar	/R-	1	
3	986 561 393 01	gasket roof strut		1	
4	986 561 115 00	retaining strip	/L	1	
(4)	986 561 116 00	retaining strip	/R	1	
5	900 067 378 09	pan-head screw		X	
6	999 919 139 09	pan-head screw		X	
7	999 919 144 09	oval-head screw		2	
8	986 561 501 01	retaining strip		1	



Model	986	Year	2004	MG	8	SG	11	Illustration	811-12	Restrictions	UPD	248	14:31	04.02.2010	PORSCHE	PET	PORSCHE
													USA / CANADA				

Pos	Part Number	Description	Remark	Qty	Model
		driving mechanism convertible top compartment lid			
1	986 561 179 02	transmission	/L	1	-99
1	986 561 179 03	transmission	/L	1	00-
1	986 561 180 02	transmission	/R	1	-99
1	986 561 180 03	transmission	/R	1	00-
3	986 561 717 03	pliable shaft		2	
4	986 561 279 02	push rod		2	
5	999 924 039 00	bush		2	
6	986 561 779 00	spacer sleeve		2	
7	900 249 054 09	countersunk-head screw		2	
8	986 561 689 00	ball pin		2	
9	986 561 479 01	lever	/L	1	
9	986 561 480 01	lever	/R	1	
10	986 561 579 00	push rod	/L	1	
10	986 561 580 00	push rod	/R	1	
11	999 924 126 00	bush		2	
12	999 166 075 02	lock		2	
13	986 624 117 00	electric motor	-03	1	
13	986 624 117 01	electric motor	04-	1	
14	986 613 767 01	microswitch with support		1	
(14)	986 624 299 00	support without microswitch		1	
15	986 561 551 01	guide arm	/L	1	
	GRV	prime coated			
(15)	986 561 552 01	guide arm	/R	1	
	GRV	prime coated			

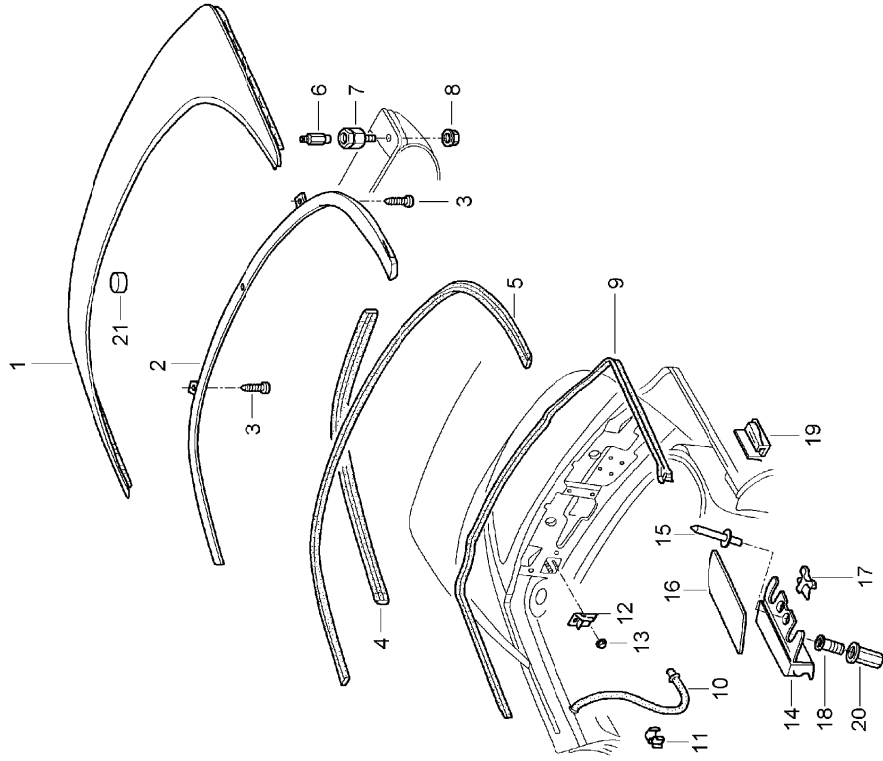


Model	Year	MG	SG	Illustration	Restrictions	UPD	14:31	04.02.2010	PORSCHE	PET	PORSCHE
986	2004	8	11	811-12		248	USA / CANADA				

Pos	Part Number	Description	Remark	Qty	Model	Pos	Part Number	Description	Remark	Qty	Model
16	986 561 571 01	hinge lever	/L	1		32	900 378 288 01	hexagon-head bolt		2	
	GRV	prime coated				33	986 561 879 00	ball pin use also:		2	
16	986 561 572 01	hinge lever	/R	1		--	N 011 118 11	nut		2	
	GRV	prime coated				34	986 561 445 02	trim cover	/L	1	
17	986 561 679 00	bearing bracket	/L	1			01C	black			
	GRV	prime coated				(34)	986 561 446 02	trim cover	/R	1	
17	986 561 680 00	bearing bracket	/R	1			01C	black			
	GRV	prime coated				34	986 561 445 03	trim cover		1	
18	986 561 677 00	ball pin		1		(34)	986 561 446 03	trim cover		1	
19	900 377 010 09	hexagon nut		12		35	986 624 295 00	trim cover		1	
20	999 166 075 02	lock		4		36	N 011 118 11	nut		2	
(20)	986 561 873 00	lock		2		37	911 561 643 65	spring clamp		2	
21	999 088 027 30	bolt		2		38	986 561 657 00	connection piece		2	
22	999 924 049 01	bush		4							
23	999 924 069 00	bush		2							
24	986 561 253 01	guide rail	/L	1							
24	986 561 254 01	guide rail	/R	1							
25	986 561 761 02	water drain plate	/L	1							
	GRV	prime coated									
25	986 561 762 02	water drain plate	/R	1							
	GRV	prime coated									
26	986 561 577 01	slide		2							
27	986 561 881 00	rubber bush		2							
28	900 067 379 09	pan-head screw		4							
29	999 076 055 09	hexagon nut		6							
30	986 561 789 00	spacer bolt		6							
30	986 561 789 01	spacer bolt		6							
31	986 561 589 03	washer		2							
32	A 999 217 095 02	hexagon-head bolt		2							

Model	Year	MG	SG	Illustration	Restrictions	UPD	14:31	04.02.2010	PORSCHE	PET	PORSCHE
986	2004	8	11	811-13		248	USA / CANADA				

Pos	Part Number	Description	Remark	Qty	Model
1	986 514 011 01	convertible top compartm. lid gaskets		1	
2	986 514 631 00	GRV prime coated sealing strip		1	
3	999 073 047 02	tapping screw		2	
4	986 514 714 01	edge protection		2	
5	986 514 731 00	gasket		1	
6	986 514 253 01	centring journal		2	
7	986 514 251 01	base		2	
8	999 076 061 09	hexagon nut		4	
9	986 514 211 01	gasket		1	
10	986 514 241 00	water drain hose	/L	2	
11	999 507 551 09	cable clamp		4	
(12)	986 561 505 00	support		2	
13	999 084 629 09	hexagon flat nut		4	
14	986 514 633 02	sealing strip	/L	1	
14	986 514 634 02	sealing strip	/R	1	
15	999 190 445 37	rivet		4	
16	986 504 861 00	cover	/L	1	
16	986 504 862 00	G2X prime coated cover	/R	1	
17	986 504 833 00	G2X prime coated clamp		2	
18	996 504 855 01	mounting		4	
19	986 561 407 02	stop	/L	1	
(19)	986 561 408 02	stop	/R	1	
20	999 500 084 02	blind rivet nut		4	
21	986 561 633 01	buffer		5	

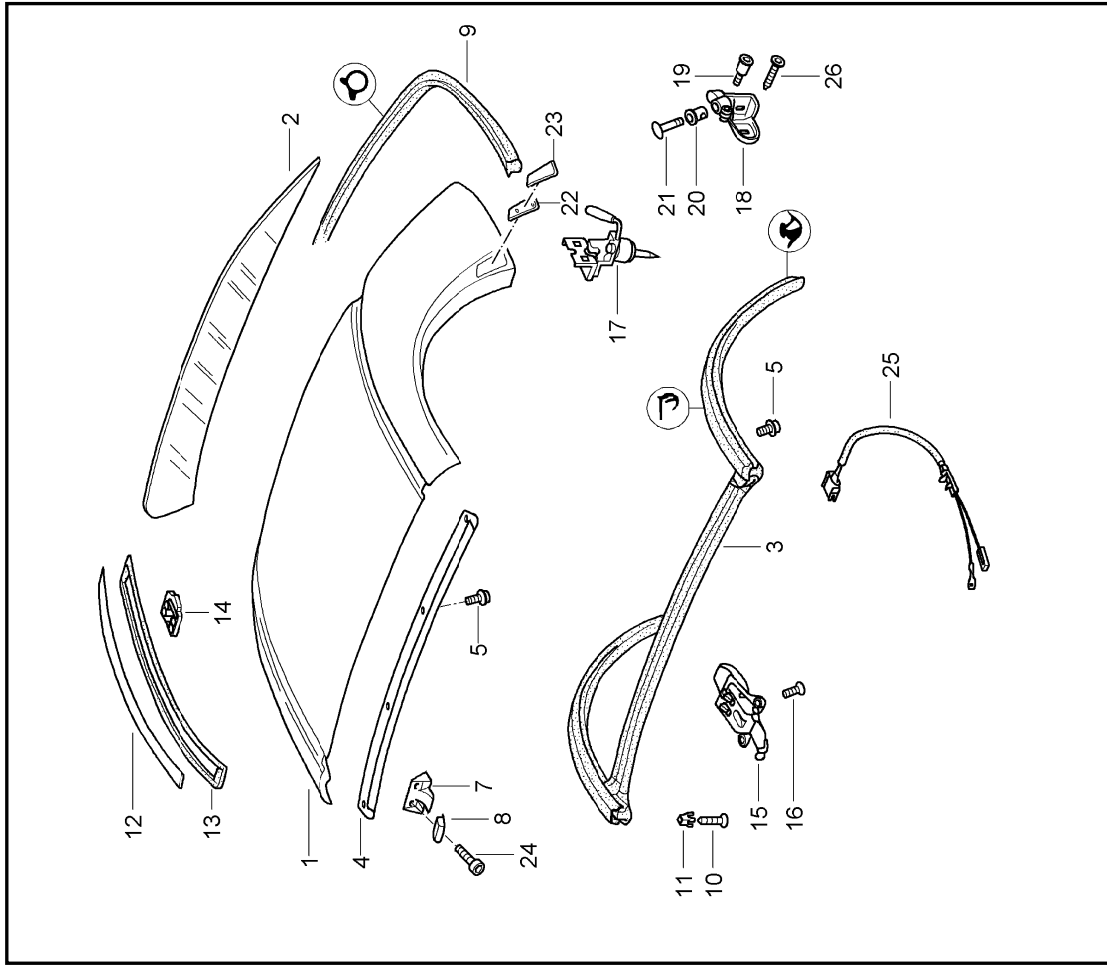


Model	Year	MG	SG	Illustration	Restrictions	UPD	14:32	04.02.2010	PORSCHE	PET	PORSCHE
986	2004	8	11	811-13		248	USA / CANADA				

Pos	Part Number	Description	Remark	Qty	Model	Pos	Part Number	Description	Remark	Qty	Model
21	986 561 633 01	buffer	98-	5							
--	000 043 205 38	adhesive tape 3000X19 MM		1							

Model	Year	MG	SG	Illustration	Restrictions	UPD	14:32	04.02.2010	PORSCHE	PET	PORSCHE
986	2004	8	11	811-15		248	USA / CANADA				

Pos	Part Number	Description	Remark	Qty	Model
1	986 563 911 01	hardtop accessories gaskets		97	M550
1	GRV	hardtop		1	
1	986 563 911 03	prime coated without accessories		98-	
1	GRV	hardtop		1	
2	986 563 091 01	rear window ready for installation		1	
2	986 563 091 02	rear window ready for installation		1	M008
3	986 563 025 01	gasket		1	
4	986 563 319 01	retaining strip		1	
5	900 067 378 09	pan-head screw		10	
-	000 043 203 29	sealing strap NITTO		X	
7	986 561 605 00	centring journal		2	
8	A09	black		2	
8	986 563 625 03	cap		2	
9	986 563 027 01	gasket		1	
10	999 073 049 02	tapping screw		14	
11	999 507 547 40	expander nut		22	
12	986 563 707 00	cover strip	/L	1	
(12)	GRV	prime coated	/R	1	
13	986 563 361 00	cover strip	/L	1	
(13)	GRV	prime coated	/R	1	
14	986 563 362 00	gasket	/L	1	
14	986 563 721 00	clip	/R	8	



Model	Year	MG	SG	Illustration	Restrictions	UPD	14:32	04.02.2010	PORSCHE	PET	PORSCHE
986	2004	8	11	811-15		248	USA / CANADA				

Pos	Part Number	Description	Remark	Qty	Model	Pos	Part Number	Description	Remark	Qty	Model
15	996 563 401 00	catch		1							
16	900 249 055 09	countersunk-head screw M 6X20		3							
17	986 563 403 02	catch	/L	1							
(17)	986 563 404 02	catch use also:	/R	1							
--	900 067 378 09	pan-head screw micro-self-locking		2							
18	986 561 653 04	mounting	/L	1							
(18)	986 561 654 04	mounting	/R	1							
19	999 219 041 00	fit bolt		2							
20	986 563 713 02	insert	/L	1							
(20)	986 563 714 02	insert	/R	1							
21	986 561 655 00	cap		2							
22	986 563 341 01	mounting	/L	1							
(22)	986 563 342 01	mounting	/R	1							
23	986 563 803 01	trim cover	/L	1							
	G2X	prime coated									
23	986 563 804 01	trim cover	/R	1							
	G2X	prime coated									
24	900 119 122 09	pan-head screw		4							
25	986 612 081 01	wiring harness		1							
26	999 073 150 09	lens-head screw		4							
--	986 563 309 00	retaining strip	/L	1							
--	986 563 310 00	retaining strip	/R	1							
--	986 563 021 00	sealing strip	/L	1							
--	986 563 022 00	sealing strip	/R	1							
--	999 703 447 40	buffer		3							