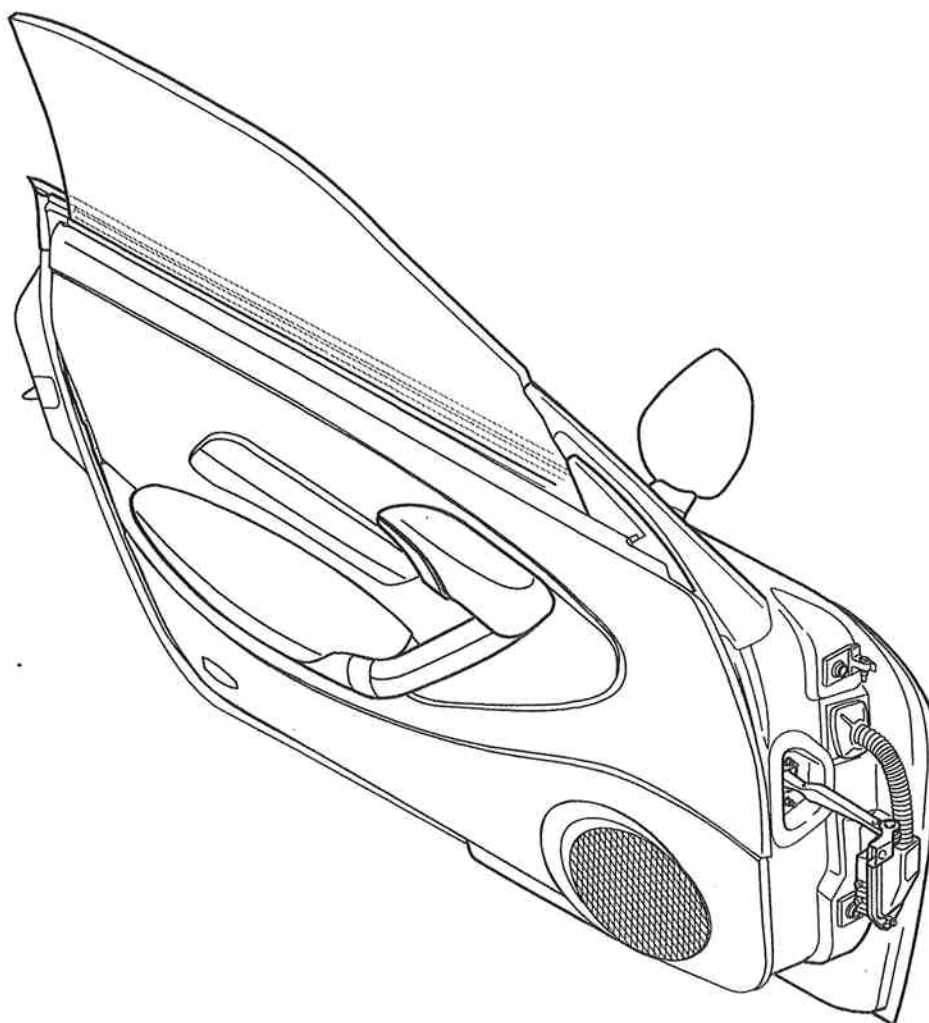
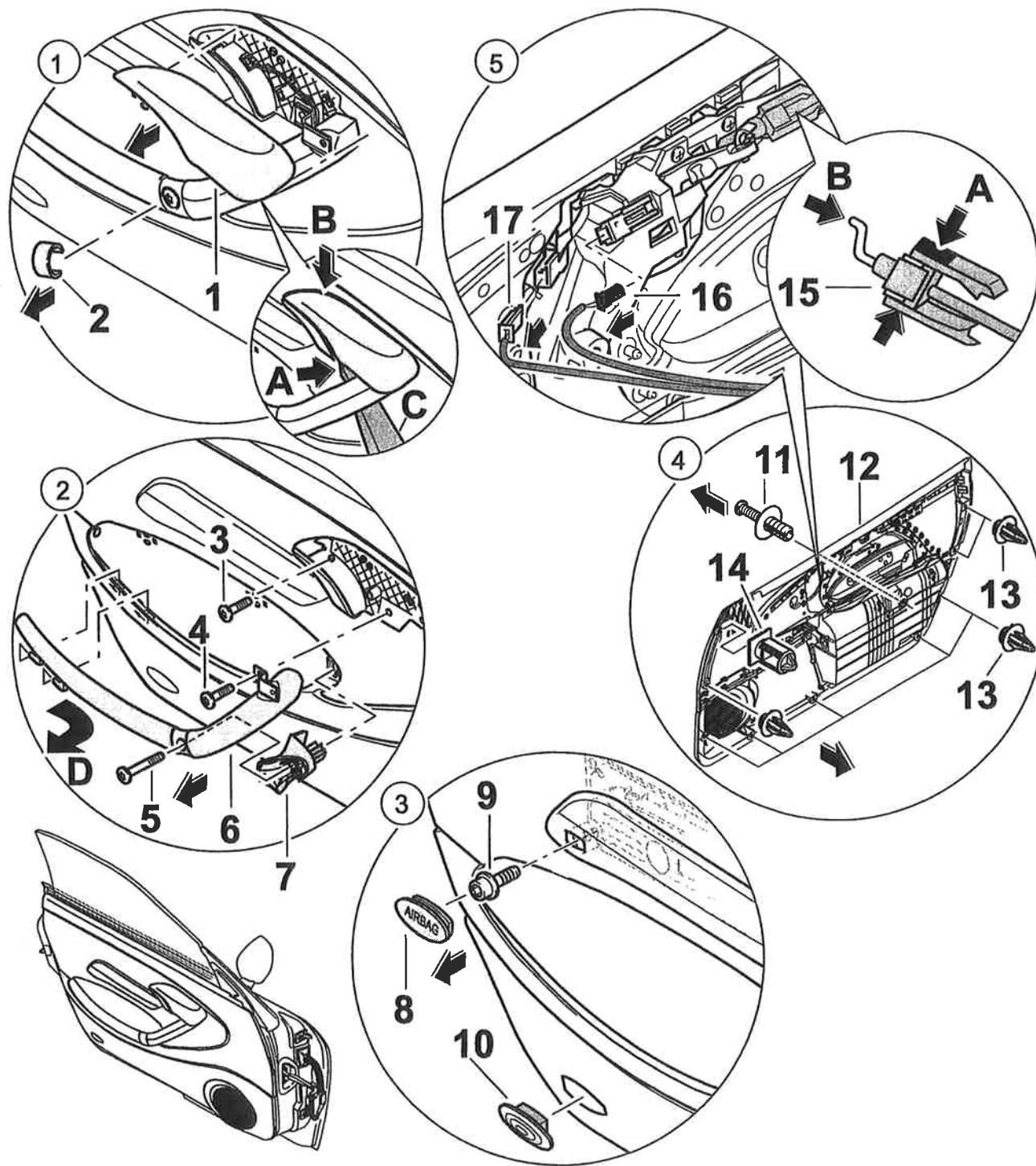


Removing and installing door trim panel



Removing door trim panel



**Warning!**

Airbag could inflate. Danger of injury or damage during fitting!

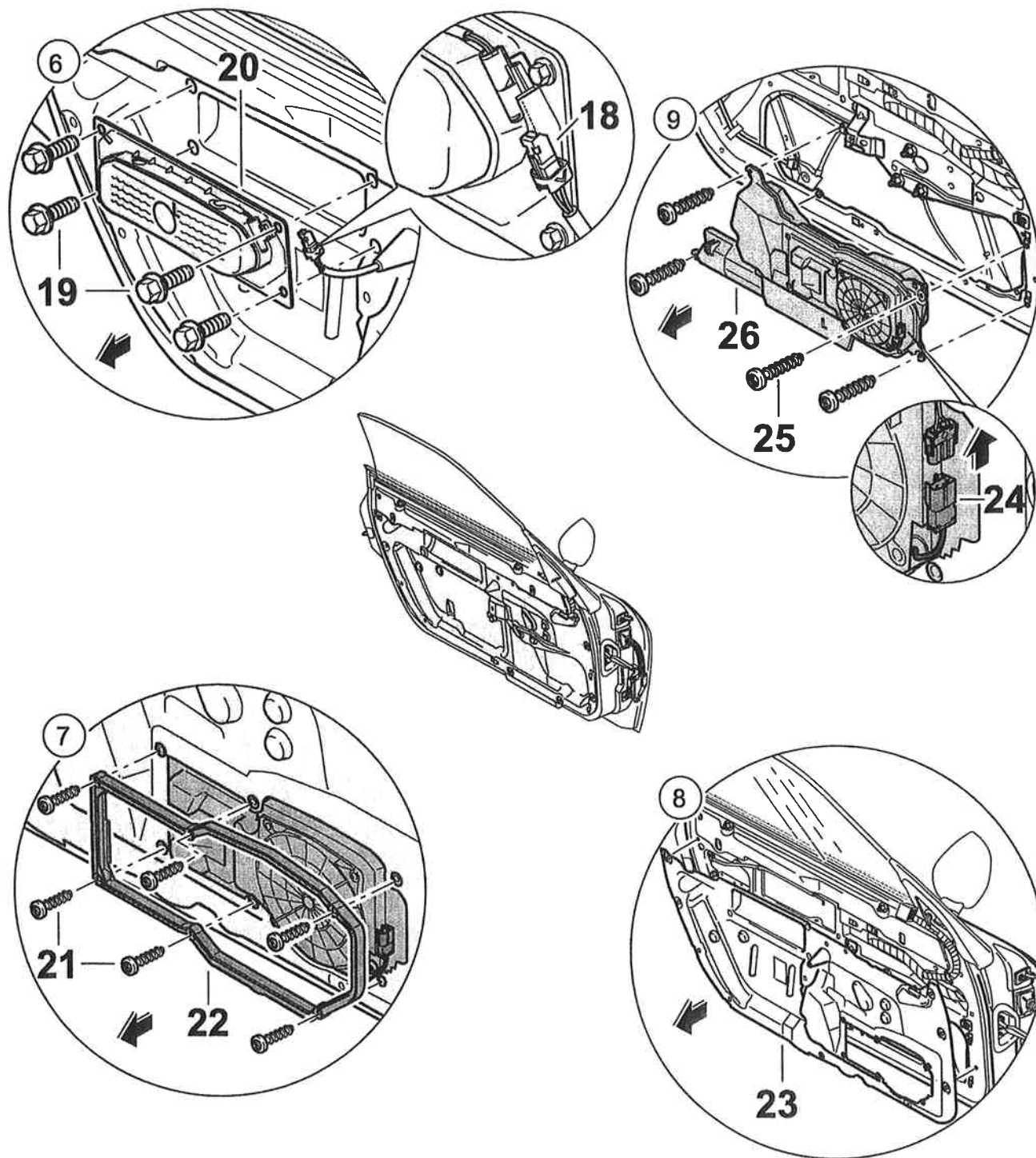
- **1. Remove ignition key.**
- **2. Disconnect and cover the negative terminal of the battery.**
- **3. After the battery is disconnected, assembly work or work on the vehicle may be started after a waiting period of 1 minute.**

**Caution!**

Damage by bending the bowden cable at the hook.

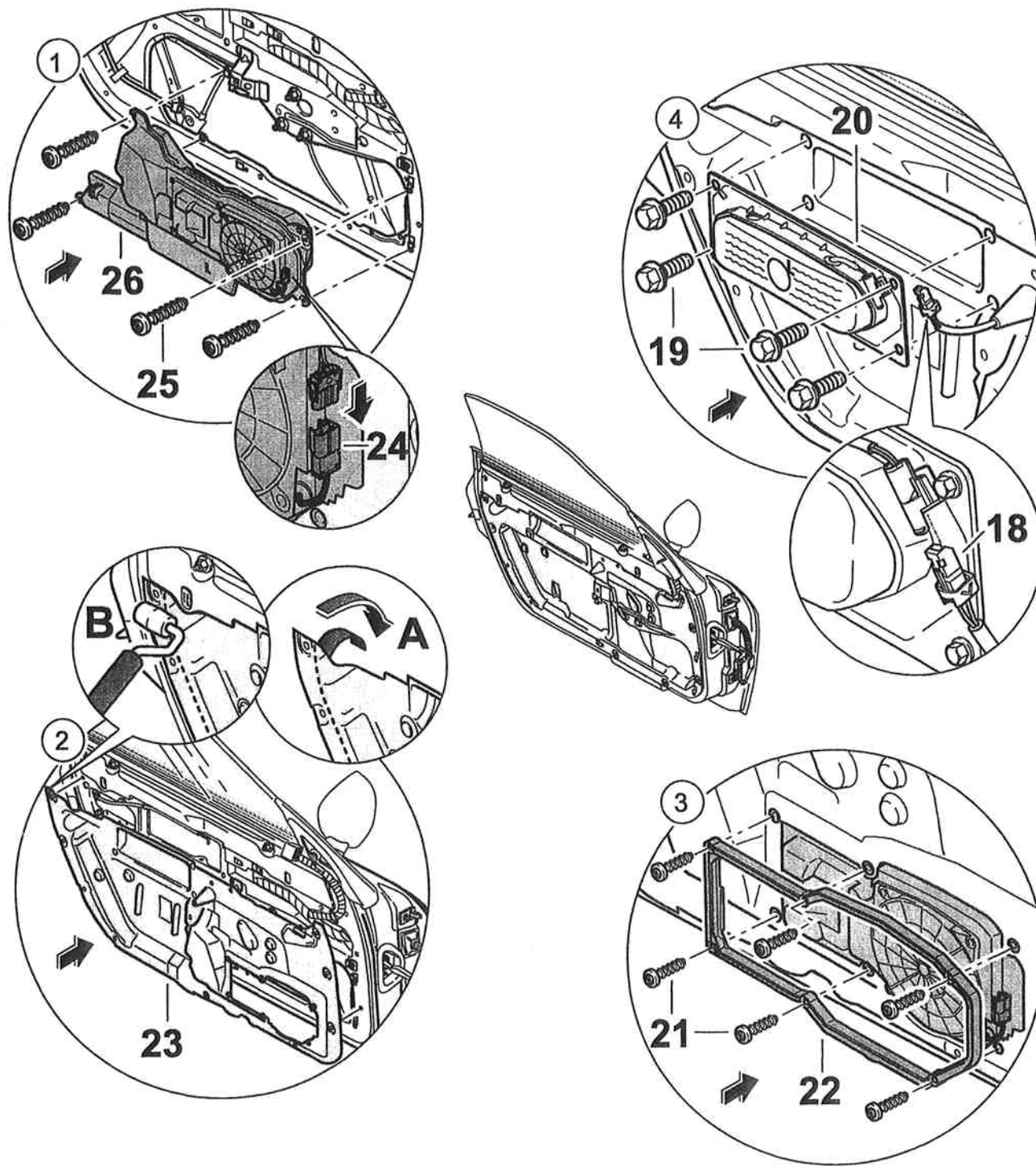
- **The hook of the bowden cable is pressed into the end piece of the cover for protection during transport and assembly. Pull the hook out of the end piece only after installation in the inner door release.**

No.	Procedure	Instructions
1	Removing -1- cover	Using a plastic spatula -C-, disengage the lower clip -A- from the door handle. Disengage the upper clip with both hands. To do so, press on the cover with your thumbs in the area -B-, slide your fingers under the cover in position -A- and guide the panel diagonally to the rear. Pull off the cover ring -2-.
2	Removing the handle strip	Unscrew fastening screws -3, 4, 5-. Pull the handle strip towards the front -arrow D- out of the door trim panel and remove. Remove the mounting -7- from the door trim panel.
3	Removing plastic cover (airbag)	Press the cover -8- out with a narrow screwdriver. Unscrew the fastening screw -9- located underneath. Press light -10- out of the door trim panel using a plastic spatula. Disconnect (pull off) electrical plug connection.
4	Removing door trim panel	Unscrew expanding nut -11- out of the door trim panel. Unclip door trim panel out of the door on all sides and lift up and off. Clips -13, 14- must be replaced for assembly.
5	Disconnecting bowden cable version B and electrical plug connection See: ⇒ "Removal and installation of bowden cable variant A" in 70-21 page 10	Disconnect electrical plug connection from the microswitch for the door handle -16- and orientation lighting -17-. Press lugs of the plastic clip -arrow A- and pull out towards the rear. Push bowden cable variant B -15- back into the end piece of the sleeve -arrow B-.

Removing loudspeaker, airbag and door film

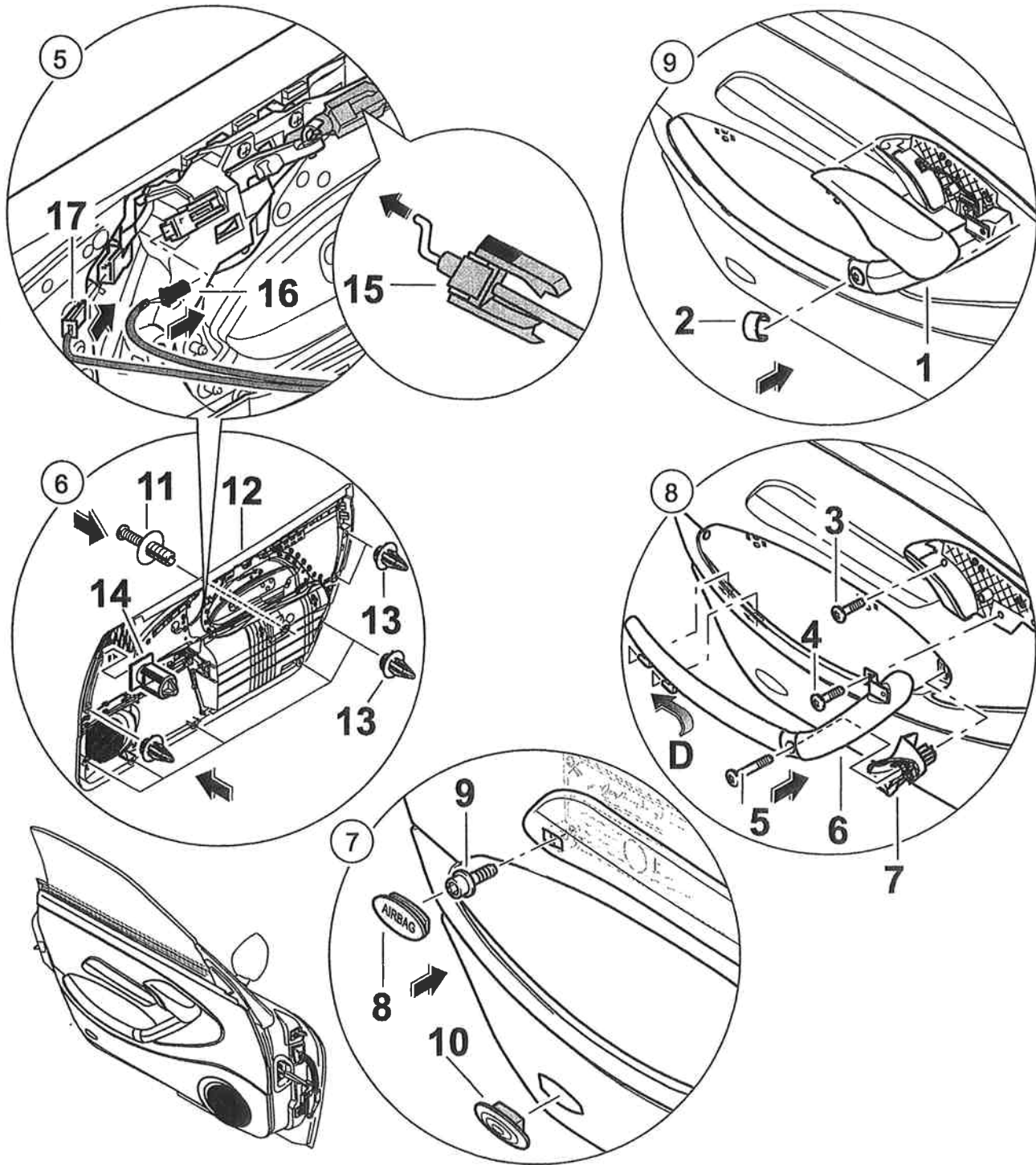
No.	Procedure	Instructions
6	Removing airbag	Disconnect electrical plug connection -18- . Unscrew fastening screws -19- out of the side airbag -20- and remove.
7	Removing frame	Unscrew fastening screws -21- from the mount -22- .
8	Removing door sealing film	Carefully pull the door sealing film off -23- all around.
9	Removing sound box	Disconnect electrical plug connection from the sound box -24- . Undo fastening screws -25- on the sound box -26- .

Installing loudspeaker, airbag and door film



No.	Procedure	Instructions
1	Installing sound box	Position sound box -26- in the door. Screw on the sound box with the fastening screws -25- . Connect electrical connection -24- .
2	Sticking sliding strip onto the front and rear of the inner door panel Affixing door sealing film. ⇒ "Installation note for door sealing film" in 70-21 page 10	⇒ "Fitting sliding strip on the inner door panel" in 70-21 page 11 Peel off protective film -A- on the door sealing film and position on the door. Using a roller -B- , press on the door film on all sides -23- . Attach the old door sealing film: ⇒ "Notes on the installation of partly detached door sealing films" in 70-21 page 11 ⇒ "Materials and tools" in 70-21 page 12
3	Installing frame	Position the frame -19- on the sound box. Make sure that the door sealing film cut-out is correctly positioned on the sound box. Screw in fastening screws -18- and tighten.
4	Installing side airbag	Position side airbag -17- on the door and tighten fastening screws -16- . Tightening torque: -10 Nm (7.5 ftlb.)- The fastening screws -16- must be replaced each time they are undone.

Installing door trim panel



No.	Procedure	Instructions
5	Engaging bowden cable variant B. Connecting electrical plug connection. See: ⇒ "Removal and installation of bowden cable variant A" in 70-21 page 10	Engage bowden cable variant B -15- in the door handle. Pull the hook out of the end piece of the sleeve only after installation in the door handle. Clip plastic clip into the door handle. Connect electrical plug connections -17, 16- .
6	Installing door trim panel	The clips -13, 14- must be replaced every time the door trim panel is removed. Position the door trim panel on the inside of the door and clip it in. Press in the expanding nut -11- .
7	Installing plastic cover (airbag)	Position fastening screws -9- in the door trim panel and tighten. Tightening torque: -5.9 Nm (4.5 ftlb.)- Press in cover cap -8- . Make sure the logo can be read in the correct direction. Connect electrical plug connection of the lamp -10- .
8	Installing the handle strip	Position the mounting on the door trim panel. Insert the handle strip into the door trim panel -arrow D- , screw in with the fastening screws - 3, 4, 5- and tighten.
9	Installing cover	Place the cover ring -2- on the handle strip. Position the cover -1- and clip into place.

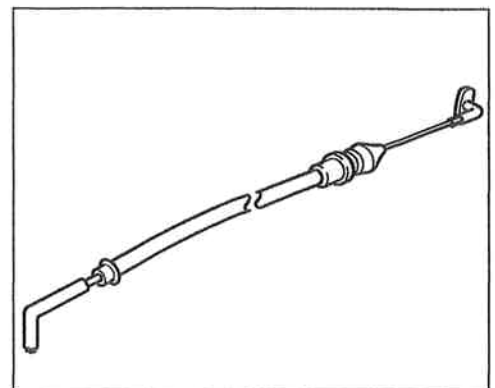
Additional assembly notes on bowden cable variant A and inner door handle

Bowden cables of variant A and inner door handles of variant A can only be installed together.

Up to Veh. Ident. Nos. Bowden cable variant A

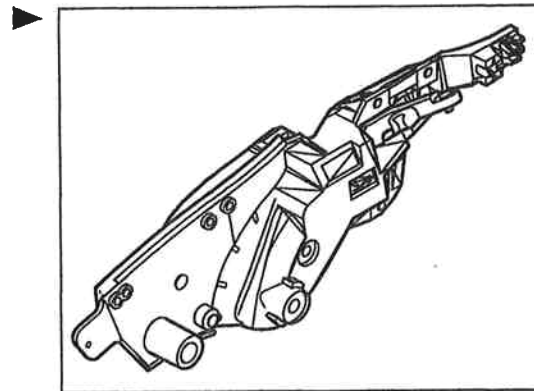
Note!

- ◆ Bowden cable variant A is installed in vehicles up to the following Veh. Ident. Nos.:
- ◆ 98 ZXS 60 0819 RoW
- ◆ 98 OXS 62 0195 USA
- ◆ 98 8Xu 62 2717 USA



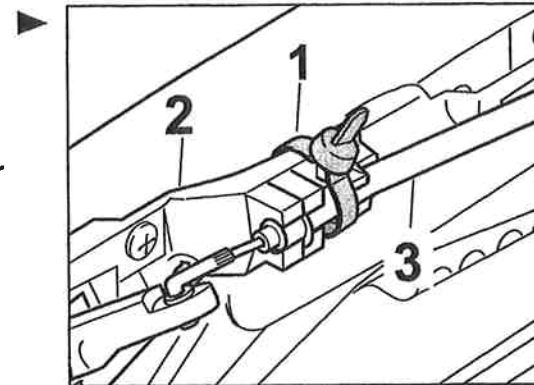
Up to Veh. Ident. Nos. Inner door handle variant A**Note!**

- ◆ Inner door handle variant A is installed in vehicles up to the following Veh. Ident. Nos.:
- ◆ 98 ZXS 60 0819 RoW
- ◆ 98 OXS 62 0195 USA
- ◆ 98 8Xu 62 2717 USA

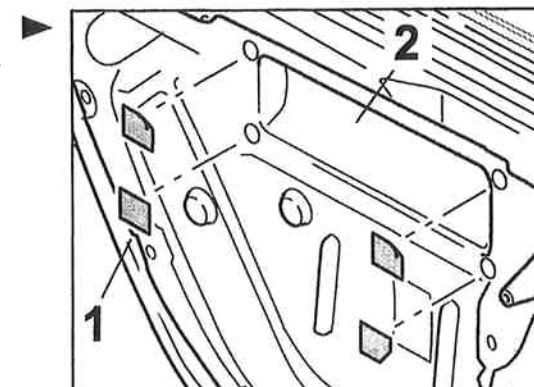
**Removal and installation of bowden cable variant A**

Cut open tie-wrap -1- when removing the door trim panel.
Unclip bowden cable from the door handle.

- 1 - Engage bowden cable in the door handle. The bowden cable must always be set free of play. When installing the door panel, secure with a tie-wrap -1- around the door handle -2- and the bowden cable -3-
⇒ Rep. Gr. 573719; Removing and installing inner door release (bowden cable) for door lock

**Installation note for door sealing film****Installation note on door sealing film for vehicles without side airbag**

The spare door sealing film comes with 4 holes for fastening the side airbag. For vehicles without airbag, the holes in the door sealing film -2- must be covered with commercially available adhesive tape -1-



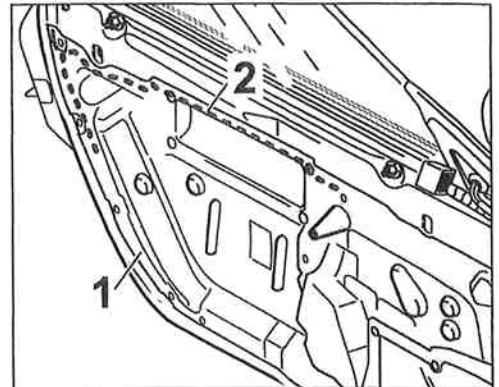
Notes on the installation of partly detached door sealing films

Door sealing films which have become completely detached or are torn must always be replaced.

In the case of door sealing films which have become partly detached at the top and side, the detached films must be reattached using a butyl sealing cord. ▶

- Beside the original point of attachment, attach a butyl cord -2- to the area where the door sealing film -1- is detached, and firmly affix.

⇒ "Materials and tools" in **70-21** page 12

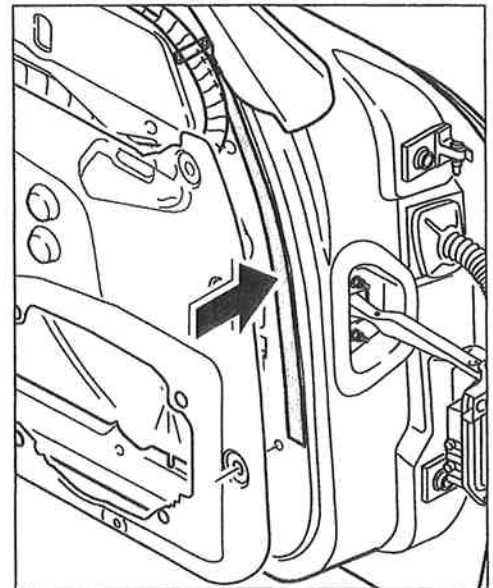


Fitting sliding strip on the inner door panel

A sliding strip must be stuck onto the front and rear sides of the inner door panel in order to prevent creaking noises from the door area.

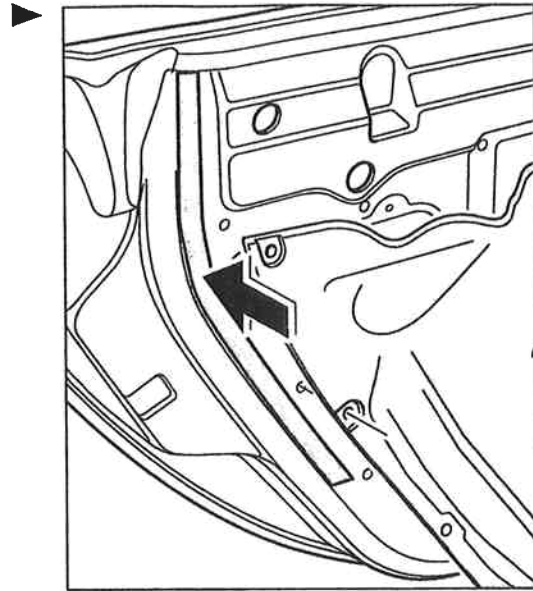
1 - Sticking sliding strip onto the front of the inner door panel ▶

- Remove backing film from the sliding strip and stick the strip onto the front of the inner door panel **-arrow-**. Start at the top (top edge of inner door panel) and follow the curvature.



1 - Sticking sliding strip onto the rear of the inner door panel

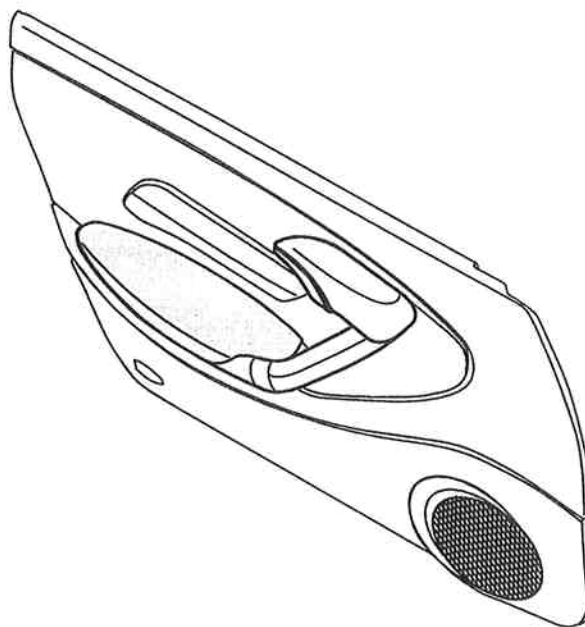
- Remove backing film from the sliding strip and stick the strip onto the rear of the inner door panel **-arrow-**. Start at the top (top edge of inner door panel) and follow the curvature.



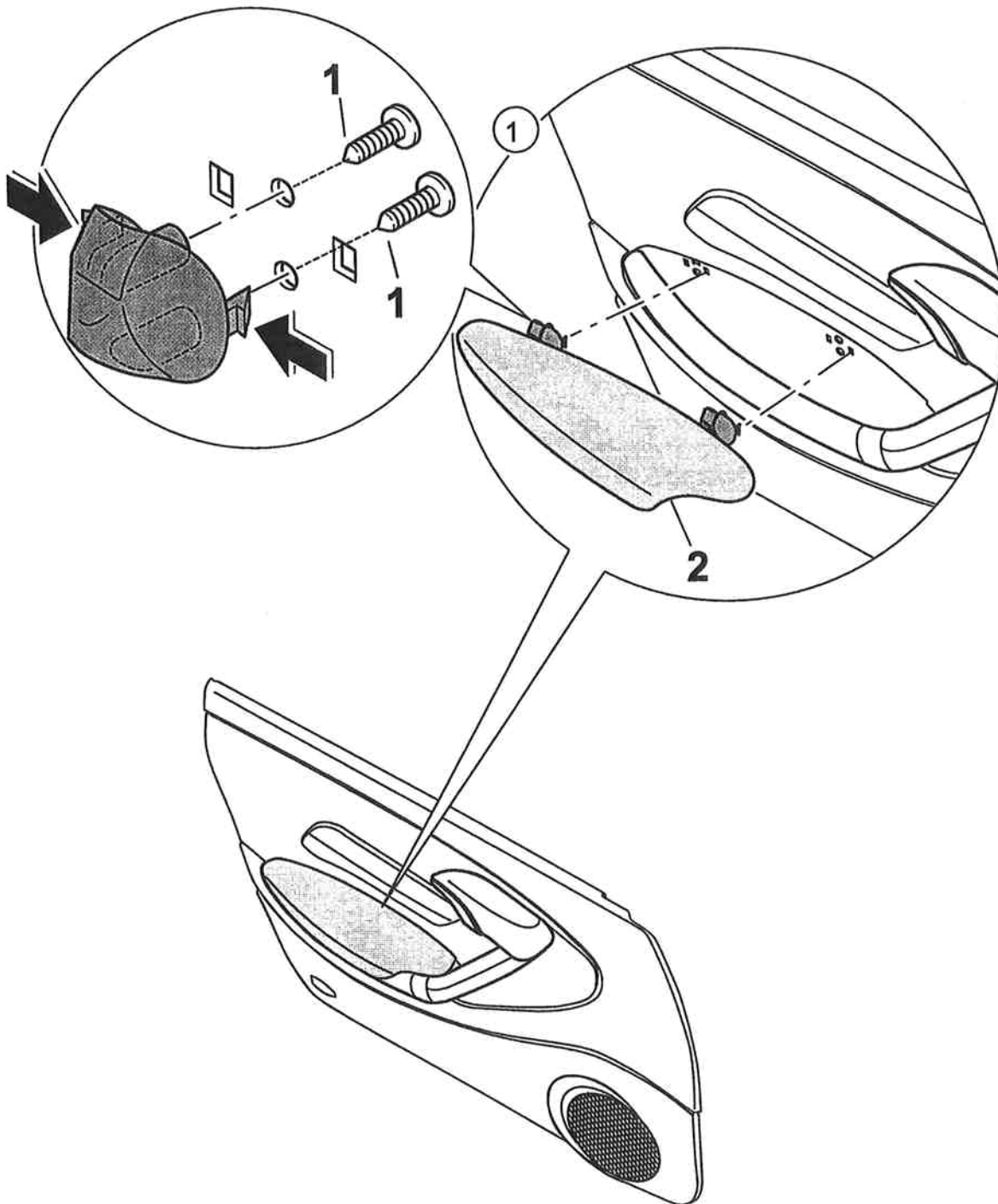
Materials and tools

Item	Designation of the special tool	Remarks
1	Butyl sealing cord for affixing "door sealing film"	⇒ "Spare part" Gr. 8-07/10; Parts Catalogue

Removing and installing oddments tray lid



Removing and installing oddments tray lid



No.	Designation	Qty.	Removal	Installation
	Removing and installing door trim panel		⇒ chapter "Removing door trim panel" in 70-21	⇒ chapter "Installing door trim panel" in 70-21
1	Fastening screws	4	Unscrew.	Screw in.
2	Oddments tray lid	1	Unscrew the fastening screws -1- from the oddments tray lid -2- . Press the lugs -arrow- in and remove the oddments tray from the door trim panel.	Engage the oddments tray -2- in the door trim panel -arrow- . Tighten the oddments tray with the fastening screws -1- .

