

The present document was valid at the time of print. A later version may be available online

WM 707519 Removing and installing rear side trim panel

Technical values

Location	Description	Type	Basic value	Tolerance 1	Tolerance 2
Locking pin securing backrest		Tightening torque	35 Nm (26 ftlb.)	+2 Nm (+1.5 ftlb.)	
Side trim panel to lower B-pillar		Tightening torque	0.6 Nm (0.5 ftlb.)		
Fastening screw securing seat belt to body		Tightening torque	50 Nm (37 ftlb.)	+/-10 %	

Preliminary work

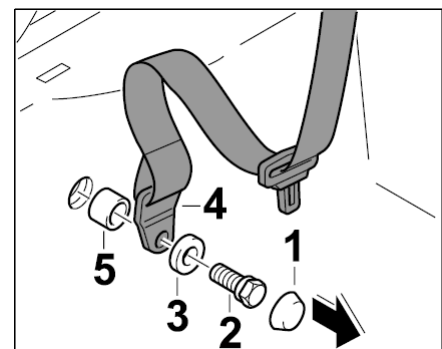
Preliminary work

1. Remove rear loudspeaker. → 914219 *Removing and installing rear loudspeaker - section on "Removing"*

Removing rear side trim panel

Loosening seat belt and fitting

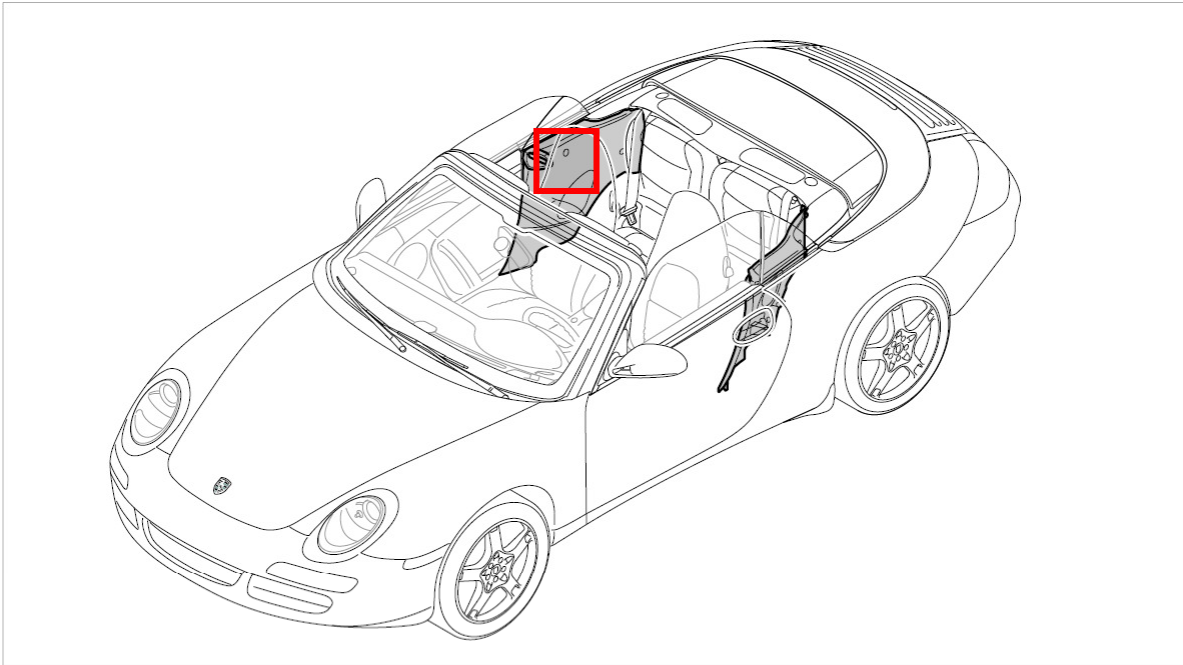
1. Lever off cap -1- with a screwdriver -arrow- .



Removing seat belt and fitting

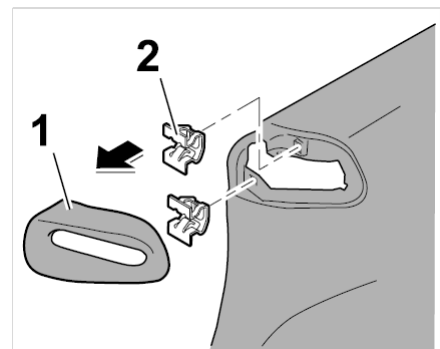
2. Unscrew fastening screw -2- . Remove washer -3- , seat belt mount -4- and spacer sleeve -5- .

Removing cover of three-point seat belt



Installation position for side trim panel

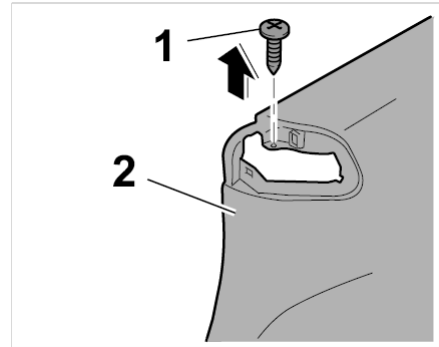
1. Pull cover of three-point seat belt **-1-** forwards out of the clips **-2-** .



Removing cover of three-point seat belt

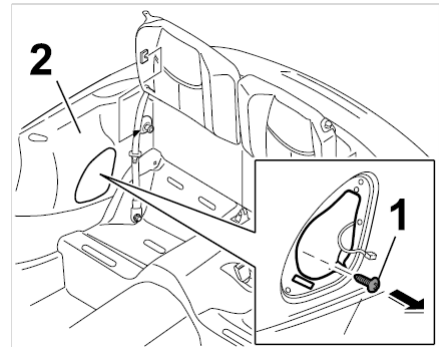
Removing side panel trim at rear

1. Pull off door seal at side trim panel.
2. Unscrew fastening screw **-1-** at side trim panel **-2-** (**-arrow-**).



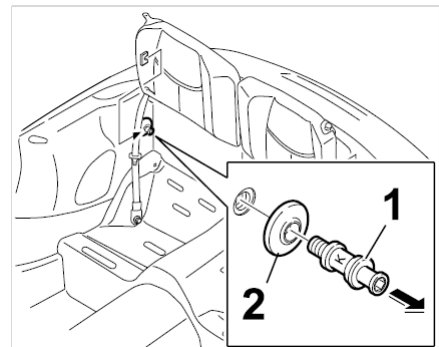
Fastening screw at front side trim panel

3. Unscrew fastening screw **-1-** on side trim panel **-2-** close to the loudspeaker **-arrow-** .



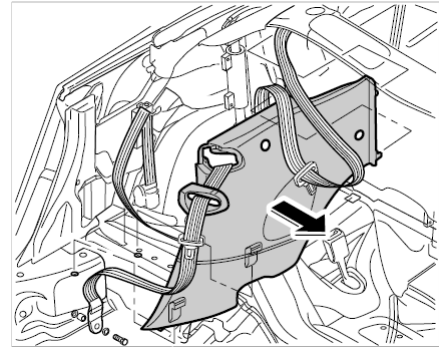
Removing fastening screw close to loudspeaker

4. Move backrest forward.
5. Unscrew locking pin **-1-** for backrest. Remove locking pin and washer **-2-** (**-arrow-**) .



Removing backrest locking pin

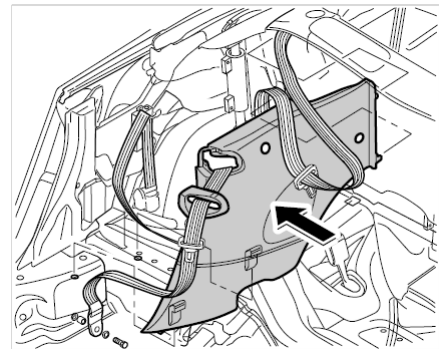
6. Carefully unclip side trim panel and pull inwards to remove it **-arrow-** .



Removing side trim panel

Installing rear side trim panel

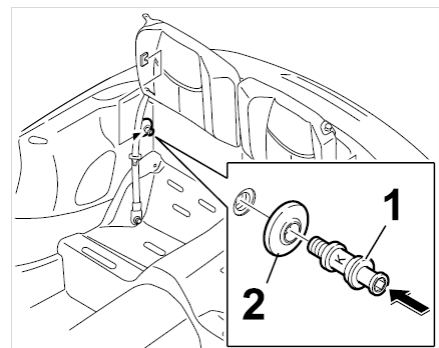
1. Place side trim panel into position from inside **-arrow-** and clip in carefully.



Installing side trim panel

2. Insert locking pin **-1-** with washer **-2-** (**-arrow-**).

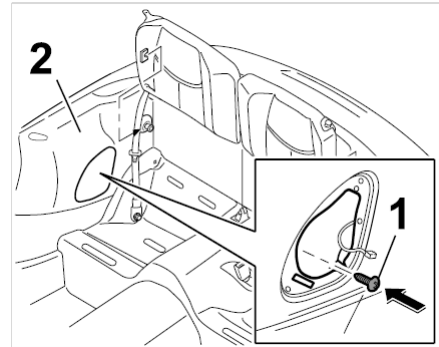
Screw in locking pin for backrest. Tightening torque → **Tightening torque: 35 Nm (26 ftlb.)+2 Nm (+1.5 ftlb.)**



Installing backrest locking pin

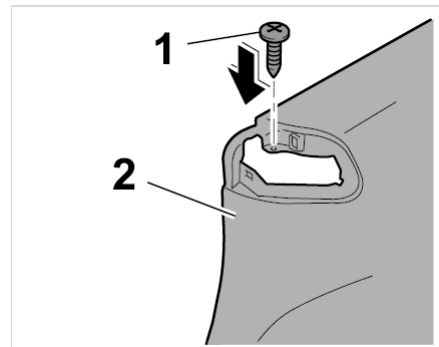
3. Move backrest back into sitting position again.
4. Insert fastening screw **-1-** on side trim panel **-2-** close to the loudspeaker **-arrow-** and screw down

securely.



Screwing in fastening screw close to loudspeaker

5. Insert fastening screw **-1-** from above **-arrow-** at side trim panel **-2-** and screw in securely. Tightening torque → **Tightening torque: 0.6 Nm (0.5 ftlb.)**

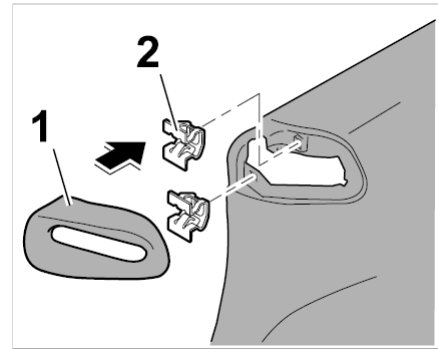


Tightening fastening screw on side trim panel

6. Attach door seal at side trim panel.

Installing cover of three-point seat belt

1. Check clamps **-2-** for damage, replacing if necessary. Press in cover of three-point seat belt **-1-** into the clamps with the locking tabs until these lock with an audible click.



Installing cover of three-point seat belt

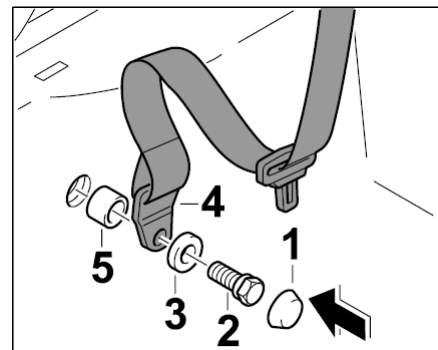
Securing seat belt and fitting



Information

Ensure that belt strap can run properly!

1. Secure fastening screw **-2-**, washer **-3-**, seat belt with fitting **-4-** and spacer sleeve **-5-** on the body. → **Tightening torque: 50 Nm (37 ftlb.) +/- 10 %**



Securing seat belt and fitting

2. Press cap **-1-** onto the fastening screw **-2-** (**-arrow-**).

Subsequent work

Subsequent work

1. Install rear speaker. → 914219 Removing and installing rear loudspeaker - section on "Installing"

997110, 997111, 997120, 997121, 997140, 997141, 997150, 997151, 997160, 997161, 997170, 997310, 997311, 997320, 997321, 997350, 997351, 997360, 997361, 997370, 997410, 997411, 997420, 997421, 997430, 997431, 997450, 997451, 997460, 997461, 997610, 997611, 997620, 997621, 997630, 997631, 997650, 997651, 997660, 997661, 997810, 997811, 997830, 997840, 997841, 997850, 997851, 997860, 997861

Model year as of 2005

C00, C02, C05, C06, C07, C08, C09, C10, C11, C12, C13, C14, C15, C16, C17, C18, C19, C20, C21, C22, C23, C24, C25, C26, C27, C28, C32, C33, C34, C35, C36, C37, C38, C39, C41, C45, C46, C96, C97, C98, C99