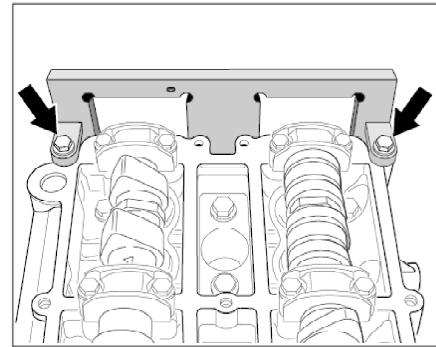


overlapping

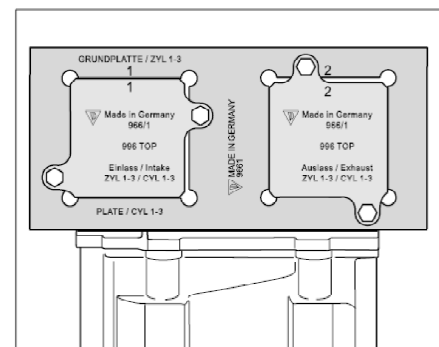
- -1 - Outlet camshaft
 - -2 - Intake camshaft
- 2.
 3. Fit chain tensioner with a new sealing ring. Observe the correct position of the tensioner (top/bottom marking)
 - 3.1. In each case, position and tighten two Torx screws (M6 x 20). → **Tightening torque: 10 Nm (7.5 ftlb.)**
 4. Fit the **adjustment device 9661** using two screws on the sealing surface to the valve cover.
 - 4.1. Screw in the screws by hand.



Fitting adjustment device 9661

Setting cylinder side 1-3:

5. Insert the **retainer springs 9661/1** into the frame according to the markings and secure them with two fastening screws.



Position of retainer springs for cylinder bank 1-3

6. Adjust camshafts on cylinder side 1–3.
- 6.1. To do this, use an open-ended wrench (a/f 30) to turn the camshafts at the hexagon until the retaining spring easily enters the slot of the camshaft.