

PORSCHE

Turbo Coupe

US \$122,900

Model Year 2007 Standard Equipment includes:

Engine

480 hp, 460 lb ft torque - 3.6 liter horizontally opposed 6 cylinder with aluminum alloy engine block & cylinder heads, rear mounted engine. Twin Turbochargers with VTG (variable turbine geometry), twin intercoolers. Dry sump lubrication system with 9 oil pumps, external oil tank. 4 overhead camshafts, 4 valves per cylinder with "VarioCam Plus" continuously variable inlet valve timing and lift. Cylinder specific knock control. Stainless steel exhaust system with twin brushed steel tail pipes integrated in the rear apron.

Power Transmission

6-speed Manual Transmission with double inertia flywheel. Hydraulic clutch actuation. All wheel drive with map controlled multi disc clutch center differential and PTM (Porsche Traction Management).

Chassis and Suspension

8.5"x19" forged Turbo wheels, 235/35 ZR19 high performance tires - front. 11"x19" forged Turbo wheels, 305/30 ZR19 high performance tires – rear, includes anti-theft device. TPMS – Tire Pressure Monitoring System. Puncture sealing compound and electric compressor. Power assisted steering with variable ratio. McPherson strut suspension with stabilizer bar – front. Multi link LSA (Light, Stable, Agile) suspension with stabilizer bar – rear. PASM – (Porsche Active Suspension Management) including 10mm lowering. PSM – (Porsche Stability Management), with ABS (Anti lock Braking System), ASR (Anti Slip Regulation), ABD (Automatic Brake Differential) and EDTC (Engine Drag Torque Control).

Braking System

13.8" vented and perforated rotors w/ 6 piston monobloc fixed alloy calipers – front, 4 piston monobloc fixed alloy calipers – rear. ABS 8.0 – Anti Lock Braking System, brake pad wear indicators, hand operated parking brake. Calipers painted in red.

Body

Two plus two Coupe, body shell hot dip galvanized on both sides. Luggage compartment lid and doors in Aluminum. Electric sliding roof with tip open/close. Front apron with air intakes, front lights, indicators and fog lights. Rear side section with air intakes for charge-air intercoolers. Rear section with air outlets for charge-air intercoolers and high mounted and integrated tailpipes. Side windows with water repellent coating. Heat able rear window. Automatically extendable rear spoiler. Chrome colored "Turbo" rear logotype. Metallic paint. Full underbody paneling. 17.7 gallon fuel tank.

Lighting System

Bi-Xenon lighting system with dynamic headlight leveling and headlight cleaning system. Welcome home function. Separate lights in front apron with LED-Indicator light and projector fog lights. Uniform lighting concept in white for entire interior, continuously variable. Foot well lighting.

Electrical Equipment

PCM (Porsche Communication Management) with 5.8" color display, 12 digit keypad, GPS navigation module for PCM with DVD drive in luggage compartment. AM/FM/CD radio with MP3-able CD drive for audio CD's. Bose Surround Sound System with 13 loudspeakers and 325 watt total power. On board computer with boost pressure gauge, digital continuous indication of total mileage, trip mileage, time, outside temp and speed. 5 dial type gauges indicating RPM's, speed, oil pressure, oil temperature, coolant temp and fuel level, w/ aluminum colored dials. Electronic oil level measurement with map compensation. Power windows with tip up/tip down and anti-jamming. Automatically dimming interior and drivers side exterior mirrors. Two speed wiper system with rain sensor, wiper delay control, heated washer nozzles. Remote central locking w/ luggage compartment release. Anti theft system including passenger compartment monitoring. Homelink door opener, cruise control. Automatically dimming interior and drivers side exterior mirrors with rain sensor.

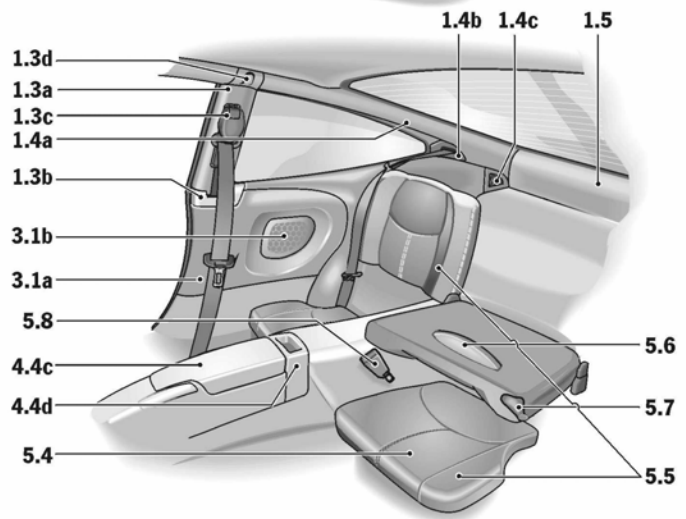
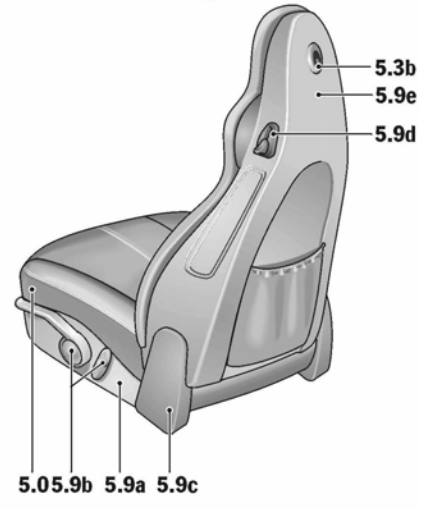
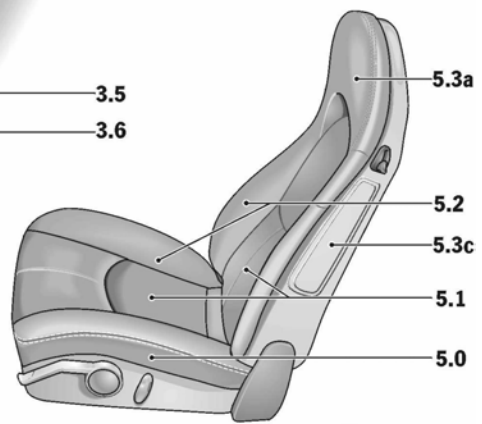
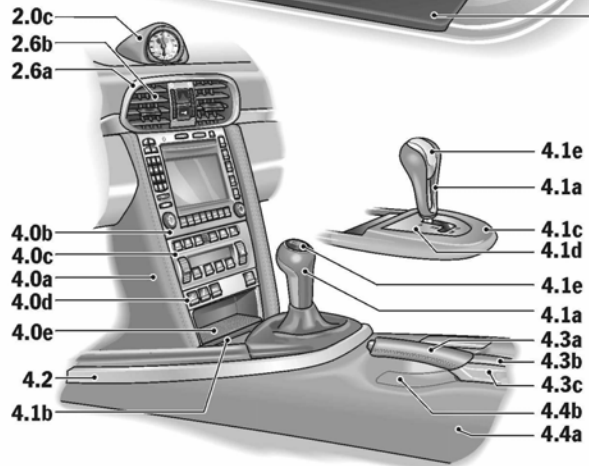
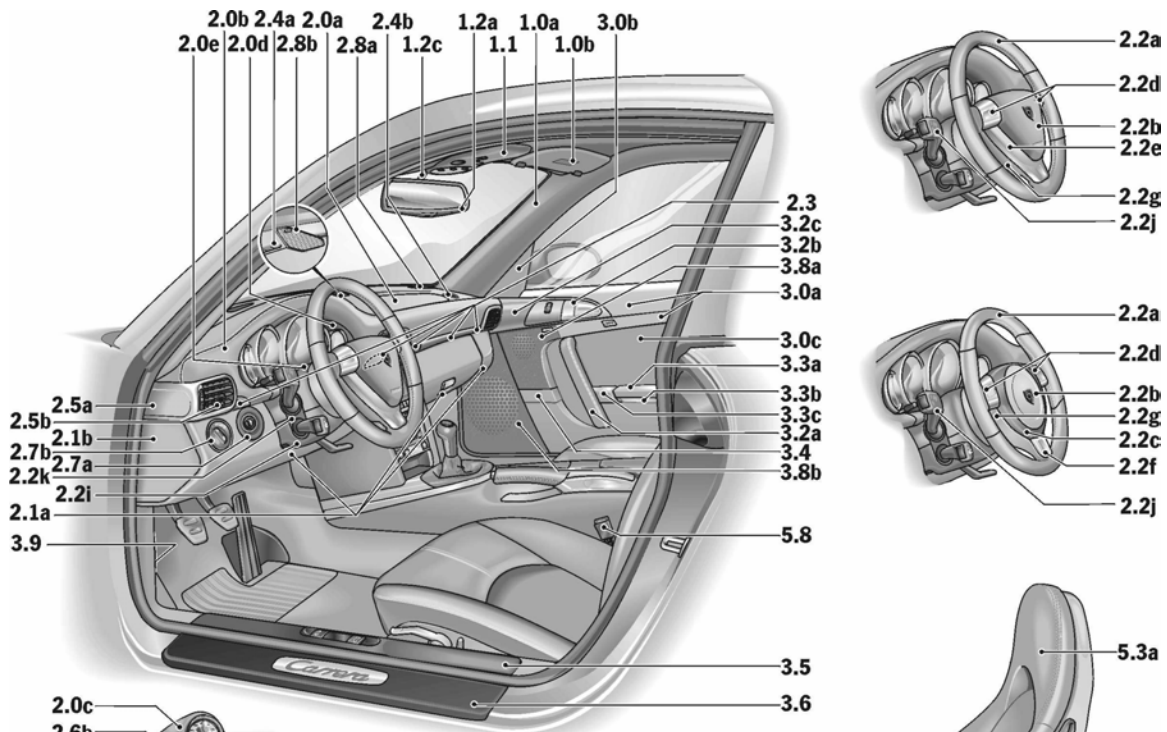
Passive Safety Equipment

Fully galvanized high strength steel body w/ front & rear deformation zones. 3 point seat belts w/ pre-tensioners and force limiters. Seat belt height adjustment. 2 stage driver/passenger airbags. Porsche Side Impact Protection System (POSIP) consisting of side impact protection elements in each door, thorax side airbags integrated in seat backrests, head airbags located in door trim. Preparation for child seat anchorage (ISOFIX) on passenger side w/ switch for airbag deactivation.

Interior Equipment

Fully electric seats including lumbar support with memory function on driver side. Split folding rear seats. 3 spoke steering wheel w/ manual reach and height adjustment. Leather interior, decorative stitching in light contrast color. Interior trim in soft-paint in interior color. Air vents, dashboard trim, trim surround on gear selector in aluminum look finish. Various interior parts in Volcano gray. Roof liner in Alcantara. Automatic climate control with integrated carbon filter. Two cup holders in front. Door storage bins. Door entry guards with "Turbo" logotype. Illuminated driver and passenger vanity mirrors.

Porsche Cars North America – United States Order Guide – 2007 Model Year
Options, Prices, content, and availability are subject to change without notice.



Order Guide

Option	Description	Must Pick	Required	Conflict	Model	Price (USD)
--------	-------------	-----------	----------	----------	-------	-------------

Standard Paint

A1	Black				Turbo Coupe	\$0
B4	Carrara White				Turbo Coupe	\$0
G1	Guards Red				Turbo Coupe	\$0
X4	Speed Yellow				Turbo Coupe	\$0

Optional Metallic Paint

53	Forest Green Metallic				Turbo Coupe	\$0
56	Cobalt Blue Metallic				Turbo Coupe	\$0
9Q	Meteor Grey Metallic				Turbo Coupe	\$0
E4	Carmona Red Metallic				Turbo Coupe	\$0
E7	Atlas Grey Metallic				Turbo Coupe	\$0
E9	Midnight Blue Metallic				Turbo Coupe	\$0

Option	Description	Must Pick	Required	Conflict	Model	Price (USD)
X1	Arctic Silver Metallic				Turbo Coupe	\$0
Z4	Basalt Black Metallic				Turbo Coupe	\$0

Special Paint

59	Slate Grey Metallic				Turbo Coupe	\$2,380
7G	Dark Olive Metallic				Turbo Coupe	\$2,380
G4	Dark Teal Metallic				Turbo Coupe	\$2,380
J2	Lapis Blue Metallic				Turbo Coupe	\$2,380
U2	GT Silver Metallic				Turbo Coupe	\$2,380

Paint to Sample

98	Non-Metallic Paint to Sample		789 24931		Turbo Coupe	\$3,625
<p>This option usually results in a production delay of 3 to 6 months. Not all color requests can be fulfilled and Porsche may require the customer or dealership to supply a paint sample or paint code in order to conduct feasibility testing. The deadline for submission of MY07 Paint to Sample orders will be approximately March 01, 2007. Contact PCNA for further details and confirmation of deadline.</p>						

Option	Description	Must Pick	Required	Conflict	Model	Price (USD)
99	Metallic Paint to Sample This option usually results in a production delay of 3 to 6 months. Not all color requests can be fulfilled, and Porsche may require the customer or dealership to supply a paint sample or paint code in order to conduct feasibility testing. The deadline for submission of MY07 Paint to Sample orders will be approximately March 01, 2007. Contact PCNA for further details and confirmation of deadline.		789 24931		Turbo Coupe	\$3,625

Full Leather

AT	Black Full Leather				Turbo Coupe	\$0
DF	Stone Grey Full Leather				Turbo Coupe	\$0
FE	Sea Blue Full Leather				Turbo Coupe	\$0
JX	Palm Green Full Leather				Turbo Coupe	\$0
TG	Sand Beige Full Leather				Turbo Coupe	\$0
P78	Sport Seats w/Full Leather Int			P01L	Turbo Coupe	\$0

Special Leather

05	Natural Leather Grey		998		Turbo Coupe	\$1,510
06	Natural Leather Brown		998		Turbo Coupe	\$1,510

Option	Description	Must Pick	Required	Conflict	Model	Price (USD)
BK	<p>Black/Stone Grey Interior</p> <p>Leather Black: Windshield pillar and frame, B and C pillars, upper dash and instrument hump, steering wheel rim, top door molding. Leather Stone Grey: Bottom dash, side covers of center console, storage lid of center console, gearshift and handbrake lever, door handle, door pocket cover and frame, door center panel, rear side covering. Soft Paint Stone Grey: Dashboard end cover, rear center console, incl. ashtray lid handle recess cover, hand break lever, storage box in rear center console, cover dashboard/frame Tiptronic S shift gate, loudspeaker cover, cover front loudspeaker, door pocket frame. Seats in Stone Grey leather. Sunvisors in Black. Carpeting in Stone Grey.</p>		970		<i>Turbo Coupe</i>	\$430
BM	<p>Black/Sand Beige Interior</p> <p>Leather Black: Windshield pillar and frame, B and C pillars, upper dash and instrument hump, steering wheel rim, top door molding. Leather Sand Beige: Bottom dash, side covers of center console, storage lid of center console, gearshift and handbrake lever, door handle, door pocket cover and frame, door center panel, rear side covering. Soft Paint Sand Beige: Dashboard end cover, rear center console, incl. ashtray lid handle recess cover, hand break lever, storage box in rear center console, cover dashboard/frame Tiptronic S shift gate, loudspeaker cover, cover front loudspeaker, door pocket frame. Seats in Sand Beige leather. Sunvisors in Black. Carpeting in Sand Beige.</p>		970		<i>Turbo Coupe</i>	\$430

Option	Description	Must Pick	Required	Conflict	Model	Price (USD)
BP	Black/Terracotta Interior Leather Black: Windshield pillar and frame, B and C pillars, upper dash and instrument hump, steering wheel rim, top door molding. Leather Terracotta: Bottom dash, side covers of center console, storage lid of center console, gearshift and handbrake lever, door handle, door pocket cover and frame, door center panel, rear side covering. Soft Paint Terracotta: Dashboard end cover, rear center console, incl. ashtray lid handle recess cover, hand break lever, storage box in rear center console, cover dashboard/frame Tiptronic S shift gate, loudspeaker cover, cover front loudspeaker, door pocket frame. Seats in Terracotta leather. Sunvisors in Black. Carpeting in Terracotta.		970		Turbo Coupe	\$430
MB	Special Leather Terracotta			998	Turbo Coupe	\$430
RA	Special Leather Cocoa			998	Turbo Coupe	\$430

Leather to Sample

99	Leather Interior to Sample This option usually results in a production delay of 3 to 6 months. An interior sketch is required. Not all leather requests can be fulfilled and Porsche may require the customer or dealership to supply a leather sample or previous interior code in order to conduct feasibility testing. The deadline for submission of MY07 Leather to Sample orders will be approximately March 01, 2007 Contact PCNA for further details and confirmation of the deadline. Note: Loudspeaker grills (door and dash) in black, steering wheel and airbag cover in black. Steering wheel rim and gearshift boot in black unless Exclusive options are ordered.		00341 24961 24941		Turbo Coupe	\$1,750
----	--	--	----------------------	--	-------------	---------

Option	Description	Must Pick	Required	Conflict	Model	Price (USD)
--------	-------------	-----------	----------	----------	-------	-------------

Floormats

CFX	Floor Mats With Colored Trim Floormats in interior color with trim in choice of Black, Sea Blue, Stone Grey, Sand Beige, Palm Green, Cocoa, Natural Brown, Speed Yellow, and Guards Red.			XX1 M6A M6B M6C M6G M6H M6N M6T	<i>Turbo Coupe</i>	\$510
M6A	Black Mats - Porsche lettering			M6B M6C M6G M6H M6N M6T XX1	<i>Turbo Coupe</i>	\$115
M6B	Sea Blue Floor Mats			M6A M6C M6G M6H M6N M6T XX1	<i>Turbo Coupe</i>	\$115
M6C	Cocoa Floor Mats			M6A M6B M6G M6H M6N M6T XX1	<i>Turbo Coupe</i>	\$115
M6G	Stone Grey Floor Mats			M6A M6B M6C M6H M6N M6T XX1	<i>Turbo Coupe</i>	\$115
M6H	Natural Brown Floor Mats			M6A M6B M6C M6G M6N M6T XX1	<i>Turbo Coupe</i>	\$115
M6N	Sand Beige Floor Mats			M6A M6B M6C M6G M6H M6T XX1	<i>Turbo Coupe</i>	\$115
M6T	Terracotta Floor Mats			M6A M6B M6C M6G M6H M6N XX1	<i>Turbo Coupe</i>	\$115

Seats

342	Heated Front Seats Multi stage heated front seats				<i>Turbo Coupe</i>	\$480
------------	---	--	--	--	--------------------	-------

Option	Description	Must Pick	Required	Conflict	Model	Price (USD)
982	Supple Leather Front and Rear Soft ruffled leather on seat center.	FE TG DF JX AT BM BK BP MB RA 05 06 99		P01L P78	Turbo Coupe	\$395
P01L	Adaptive Sport Sts Lthr Int	FE TG DF JX AT BM BK BP MB RA 05 06 99		P78	Turbo Coupe	\$1,145
XSC	Porsche Crest in Headrest				Turbo Coupe	\$270

Audio & Communications

461	Rod Antenna External antenna to improve AM reception. Coupe: Mounted on roof above rear window. Cabriolet: Mounted on right front fender.				Turbo Coupe	\$0
635	Park Assist System Distance sensors integrated in rear bumper.				Turbo Coupe	\$530
640	Sport Chrono Package Turbo Package includes analog and digital chronometer, sport button in the center console and display in the PCM. Also adds ability to adjust lighting, wipers, AC and door locking to suit personal preference.				Turbo Coupe	\$1,840
641	Electronic Logbook Enables automatic acquisition of mileage, driving distance, date, time and address of starting point and destination at every trip including PC- software for data download and evaluation.				Turbo Coupe	\$650
666	Module for Telephone PCM Phone module for PCM allows users with a GSM phone to insert a SIM card and use the PCM as a hands-free telephone.				Turbo Coupe	\$960

Option	Description	Must Pick	Required	Conflict	Model	Price (USD)
668	Handset for Telephone Module Passive handset for telephone module. Handset does not have dialing capability.		666		Turbo Coupe	\$260
672	Extended Navigation Module Records route and triangulates vehicle position in unmapped areas and allows for "back-track" navigation via GPS and compass coordinates.				Turbo Coupe	\$205
692	Remote CD Changer (6 Disc)				Turbo Coupe	\$650
Technical						
220	Axle-Differential Lock Rear			249	Turbo Coupe	\$950
249	Tiptronic S 5-speed automatic transmission with gear selectors mounted on the steering wheel.			XCZ 220	Turbo Coupe	\$3,420
425	Rear Window Wiper				Turbo Coupe	\$0
450	Ceramic Composite Brakes-PCCB			447	Turbo Coupe	\$8,840
509	Fire Extinguisher				Turbo Coupe	\$140
549	Roof Transport System				Turbo Coupe	\$400
Wheels						
XD9	Rims and Caps - Exterior Color				Turbo Coupe	\$1,290

Option	Description	Must Pick	Required	Conflict	Model	Price (USD)
--------	-------------	-----------	----------	----------	-------	-------------

Interior Cosmetic

X70	Metal Door Sill Model Insignia			X69	Turbo Coupe	\$415
XFD	Instrument Dials Sand Beige			XFH XFJ	Turbo Coupe	\$860
XFH	Instrument Dials Speed Yellow			XFD XFJ	Turbo Coupe	\$860
XFJ	Instrument Dials Carrara White			XFD XFH	Turbo Coupe	\$860
XSH	Seat Belts Silver			XSX XSY	Turbo Coupe	\$540
XSX	Seat Belts - Guards Red			XSH XSY	Turbo Coupe	\$540
XSY	Seat Belts - Speed Yellow			XSH XSX	Turbo Coupe	\$540
XXZ	Foot Rest Aluminum Driver's side foot rest in aluminum and rubber.				Turbo Coupe	\$250

Interior Options in Leather

431	3-Spoke Str Whl Multifctn lthr 3-Spoke multi-function steering wheel in smooth leather.			451 452 453 459 XPA XPV	Turbo Coupe	\$250
459	Leather Steering Wheel 3 spoke steering wheel in smooth leather Triangular airbag.			431 451 452 453 XPA XPV	Turbo Coupe	\$0

Option	Description	Must Pick	Required	Conflict	Model	Price (USD)
EAA	Leather Package Switch Panel Leather finish in interior color. Side air vents(2.5a) side air vent slats (2.5b), central air vents incl. switch trim (2.6a), central air vent slats (2.6b), loudspeaker finisher on switch panel (center; 2.8b), defroster trim (2.4a), trim strip switch panel incl. cupholder trim (2.3).			EAB EAC EAD EAE 801 802 803 CNA	Turbo Coupe	\$2,050
XEA	PCM Handset Leather Leather finish interior color: three part, including support.		668		Turbo Coupe	\$415
XMA	A/B Pilar/Roof Liner Leather				Turbo Coupe	\$1,180
XMP	Lthr Sun Visors Lighted Mirror				Turbo Coupe	\$560
XMZ	Rear Center Console - Leather			XMJ XCK XME XJT XJU	Turbo Coupe	\$1,260
XNG	Instrument Surround in Leather Leather finish in interior color: instrument surround (2.0d).			XCL CDP	Turbo Coupe	\$260
XNS	Steering Column in Leather 2.2i				Turbo Coupe	\$420
XPA	Thicker Steering Wheel-Leather Thicker 3-spoke sports steering wheel in smooth leather.			431 451 452 453 459 XPV	Turbo Coupe	\$310
XSB	Sport Seat Backs in Leather Front Seat Backs in leather in interior color.	P01L P78		XCG XSA	Turbo Coupe	\$1,610
XTG	Inner Sill Parts/Release-Lthr Inner sill finishers (3.5) in leather in interior color.				Turbo Coupe	\$585
XTV	Door Finishers in Leather Leather finish in interior color: door opener trim (3.2c) .			XTL XTT XTU XTW	Turbo Coupe	\$360

Option	Description	Must Pick	Required	Conflict	Model	Price (USD)
XZD	Dome Lamp Cover - Leather 1.1				Turbo Coupe	\$335
Custom Tailoring and Deviations - Leather						
CDT	Seat Belt Buckles Leather front and rear (5.8)				Turbo Coupe	\$760
CDU	Belt Outlet B Pillar Leather 1.3b.			CCW CDR DAB	Turbo Coupe	\$220
CDW	"Y" Trim Strng Wheel in Lthr. 2.2e.			XPA	Turbo Coupe	\$290
CDZ	Gear Lever Trim Leather Gear lever trim (4.1b).			249	Turbo Coupe	\$430
CFA	Tiptronic Gate Leather Leather finish interior color including decorative stitching where appropriate: Tiptronic gear selector surround (4.1c).		249	CDZ CDJ	Turbo Coupe	\$310
CFP	Tip Handbrake Lever Alu/Lthr In aluminum: Inlay in handbrake lever (4.3a) with Porsche logo. Smooth leather finish in interior color: handbrake lever (4.3a), handbrake finisher (upper section; 4.3b). Aluminum look paint finish: handbrake finisher (lower section; 4.3c).		249	ECA DAD 801 802 803	Turbo Coupe	\$780
CNA	Defroster Trim Leather 2.4a			CDG	Turbo Coupe	\$580
CNB	Defroster air vents leather 2.4b			CNA	Turbo Coupe	\$390
CPA	Thicker 3 Spoke/Multi Fctn Whl Thicker steering wheel rim with cross stitched seam.		431 459	451 452 453 XPA XPV	Turbo Coupe	\$930

Option	Description	Must Pick	Required	Conflict	Model	Price (USD)
CPT	Storage Lid Bin W/Porsche Crst 4.4c				Turbo Coupe	\$290
CPU	Key Pouch Interior Color Leath				Turbo Coupe	\$95
CUJ	Fuse Box trim Leather Fuse box cover (3.9).				Turbo Coupe	\$140
CUR	PCM Package Leather			CUF	Turbo Coupe	\$2,230
CUV	Storage Cmpt Lid W/Model Logo			CPT	Turbo Coupe	\$293
CUX	Release Lever Rear Seats Lthr 5.9d		DAC		Turbo Coupe	\$310
CVP	Trim Strip Leather 2.3			CDM EAA 801 802 803	Turbo Coupe	\$590
CVT	Door and Rear Speakers Lthr Smooth leather finish in interior color including decorative stitching where appropriate: door panel trim (3.4), loudspeaker finishers (mid-tone 3.8a), loudspeaker finishers (bass 3.8b). speaker grilles in soft touch paint interior color. Seat memory trim in black plastic.				Turbo Coupe	\$2,570
CVW	Rear View Mirror Leather Rear view mirror frame (1.2a), rear view mirror casing (1.2b) (1.2b), rear view mirror casing (1.2c).				Turbo Coupe	\$475
CVY	Clothes Hook Backrest Leather 5.3b			DAB	Turbo Coupe	\$240

Option	Description	Must Pick	Required	Conflict	Model	Price (USD)
CVZ	Bose Subwoofer Outlets Leather				Turbo Coupe	\$220
DAA	Interior Pkg A Pillar Leather Leather finish in interior color including decorative stitching where appropriate: switch panel end trim (2.1b), ignition lock surround (2.7a), mirror attachment point finishers including mirror controls and base plate (3.0b).				Turbo Coupe	\$740
DAB	Interior Pkg B Pillar Leather Leather finish interior color including decorative stitching where appropriate: belt outlet on B pillar (left/right 1.3b), belt height adjustment trim on B pillars (1.3c), clothes hook on B pillars (1.3d), clothes hook seat backrest (5.3b).			CVY CDU	Turbo Coupe	\$955
DAC	Interior Pkg C Pillar Leather Leather finish interior color including decorative stitching where appropriate: belt outlet on C pillars (1.4b), rear air vent (1.4c), luggage stop on rear backrests (5.6), release lever on rear seat backrest including base plate (5.7).			CUX	Turbo Coupe	\$1,030
DAD	Gear Lever/Handbrake Alu./Lthr In aluminum: gear lever (partially; 4.1a) including milled in shift pattern, inlay in handbrake lever (4.3a) with Porsche logo. Smooth leather finish in interior color: handbrake lever (4.3a), hand brake finisher (upper section; 4.3b). Aluminum look paint finish: handbrake finisher (lower section; 4.3c).			249 801 802 803	Turbo Coupe	\$1,680

Interior Options in Aluminum Look

EAE	Alum. Look Pkg Switch Panel Side air vent (2.5a), central vent including switch trim (2.6a), instrument surround in aluminum look painted finish (2.0d). Leather finish in interior color: Side air vent slats (2.5d), central air vent slats (2.6b), loudspeaker finisher on switch panel (center 2.8b), defroster trim (2.4a) in leather finish in interior color.			EAA EAB EAC EAD XCL XNG 801 802 451 452 XJT XJU XTT CNA XTU CDA	Turbo Coupe	\$1,550
-----	--	--	--	--	-------------	---------

Option	Description	Must Pick	Required	Conflict	Model	Price (USD)
ECA	Gear/Handbrake Lever Alu Look			249 801 802 803	Turbo Coupe	\$995
XCG	Seat Backs In Aluminum Look Backrests of sport seats painted in aluminum look.	P01L P78		XSA XSB P01L P78	Turbo Coupe	\$1,495
XCK	Rear Cnt.Cnsl in Aluminum Look Rear section of center (4.4a) console including ashtray cover storage tray rear section of center console in aluminum look painted finish. Handbrake lever recess trim (4.4b) in leather finish in interior color.			XJT XJU XME XMJ XMZ 451 452 801 802 XTT XTU	Turbo Coupe	\$730
XCL	Instrument Surround Alum. Look Aluminum Look finish: instrument surround (2.0d).			XNG EAE CDP	Turbo Coupe	\$360
XPV	Steer Whl. Multifctn Alum Look Aluminum Look paint with smooth leather in interior color: steering wheel rim (2.2a) with cross stitched seam. Smooth leather finish in interior color: airbag module (2.2b), steering wheel hub cover (2.2g).			431 451 452 453 459 XPA	Turbo Coupe	\$570
XTW	Door Finishers Aluminum Look Aluminum Look paint finish: Front of door handle (3.2a), lid of door storage bin (3.3a) including lid extension of door bin (3.3c), door opener trim (3.2c)			XTL XTT XTU XTV 451 452 801 802 XJT XJU	Turbo Coupe	\$1,550
Custom Tailoring and Deviations - Aluminum Look						
CCP	PCM Package Alu. Look Aluminum look paint finish: PCM trim (4.0b), climate control trim (4.0c), lower switch trim (4.0d), lower storage bin (4.0e).				Turbo Coupe	\$2,230
CCR	PCM Handset Aluminum Look Aluminum look finish upper section. Leather finish interior color: lower section, including support (three part).		668 666	CER CEA	Turbo Coupe	\$540
CCW	Belt Outlets B Pillar Alu. Lk 1.3b			CDR CDU	Turbo Coupe	\$180

Option	Description	Must Pick	Required	Conflict	Model	Price (USD)
CDA	Air Vent Slats Aluminum Look Side air vent slats (2.5b), central air vent slats (2.6b): Leather finish in interior color side air vents (2.5a), central air vent including switch trim (2.6a).			CDN	<i>Turbo Coupe</i>	\$940
CDD	"Y" Trim Strng Wheel Alu. Lk 2.2e			XPA XPV	<i>Turbo Coupe</i>	\$290
CNC	Front Air Intakes in Alu.Look			DAJ CNF	<i>Turbo Coupe</i>	\$990
CNW	Side Mirror Aluminum Look (side mirror lower part of shell)				<i>Turbo Coupe</i>	\$560
Interior Options in Carbon						
453	Carbon Str Whl Multifctn 3-spoke multi-function steering wheel in carbon. Rim in smooth leather with carbon inlay, airbag module in smooth leather.			431 451 452 459 XPA XPV 802 XJT XJU XTT XTU 801 EAB EAC	<i>Turbo Coupe</i>	\$620
803	Carbon Package Carbon fiber finish: trim strip switch panel incl. cupholder trim, five part (2.3) lever or Tiptronic selector (4.1a), hand break lever (4.3a).			801 802 EAA ECA 451 452 XTT XTU CDM	<i>Turbo Coupe</i>	\$890
EAD	Carbon Package Switch Panel Carbon Fiber finish: side air vents (2.5a), central air vent (2.6a). Leather finish in interior color: side air vent slats (2.5b), central air vent slats incl. switch trim (2.6b) Loudspeaker finisher on switch panel (center 2.8b), defroster trim (2.4a) incl. inlay in carbon fiber.			EAA EAB EAC EAE 451 452 XJT XJU XTT XTU 801 802 CNA	<i>Turbo Coupe</i>	\$2,700
X69	Carbon Door Sil Model Insignia			X70	<i>Turbo Coupe</i>	\$780

Option	Description	Must Pick	Required	Conflict	Model	Price (USD)
XMJ	Rear Center Console - Carbon Rear section of center console (4.4a) incl. ashtray cover, storage tray rear section of center console in carbon finish. Hand brake lever recess trim (4.4b) in leather finish in interior color.			XCK XME XMZ XJT XJU 451 452 801 802 XTT XTU	Turbo Coupe	\$1,625
XTL	Door Finisher in Carbon Front of door handle (3.2a), lid of door storage bin (3.3a) including lid extension of door storage bin (3.3c), door opener trim (3.2c) in carbon finish.			XTT XTU XTV XTW	Turbo Coupe	\$2,700
Custom Tailoring and Deviations - Carbon						
CED	PCM Handset Carbon		668 666		Turbo Coupe	\$890
CJJ	Belt Outlet B Pillar Carbon 1.3b				Turbo Coupe	\$490
CXD	Door Entry Grds Carbon Illumin Door entry Guards (right/left 3.6) in carbon with Carrera/ Carrera S/ Carrera 4/ Carrera 4S logo/Turbo, illuminated in white.			X69 X70	Turbo Coupe	\$1,380
Interior Options in Light Wood						
452	Wood Str Whl Multifcn Sycamore 3-spoke multi-function steering wheel sycamore, light. Rim in smooth leather with wood inlay, airbag module in smooth leather.			431 451 453 459 XPA XPV XMJ XTL XTW 801	Turbo Coupe	\$620
802	Sycamore Package Light Sycamore finish: trim strip switch panel incl. cupholder trim, five part (2.3) gear lever or Tiptronic selector (4.1a), hand break lever (4.3a).			801 803 EAA ECA 451 XCK XMJ XJT	Turbo Coupe	\$890

Option	Description	Must Pick	Required	Conflict	Model	Price (USD)
EAC	Sycamore Package Switch Panel Light Sycamore finish: side air vents (2.5a), central air vent (2.6a). Leather finish in interior color: side air vent slats (2.5b), central air vent slats incl. switch trim (2.6b). Loudspeaker finisher on switch panel (center 2.8b), defroster trim (2.4a) incl. inlay in Sycamore.			EAA EAB EAD EAE 803 451 XCK XJT XMJ XTT XTW CNA	Turbo Coupe	\$2,700
XJU	Rear Ctr. Console Sycamore Light Sycamore finish: rear section of center console including ashtray cover (4.4a) , storage tray rear section of center console (4.4d). Leather finish in interior color: handbrake lever recess trim (4.4b).			XCK XJT XME XMJ XMZ 451 801 803 XTT XTW	Turbo Coupe	\$1,625
XTU	Door Finishers Sycamore Light Sycamore finish: front of door handle (3.2a), lid of door storage bin (3.3a) including lid extension on door storage bin (3.3c), door opener trim (3.2c).			XTL XTT XTV XTW 451 801 803 XCK XJT XMJ	Turbo Coupe	\$2,700
Interior Options in Dark Wood						
451	Makassar Str Whl Multifctn 3-spoke multi-function steering wheel Makassar, dark. Rim in smooth leather with wood inlay, airbag module in smooth leather.			431 452 459 XPA XPV 803 XJU XMJ XTL XTU XTW	Turbo Coupe	\$620
801	Makassar Package Dark Makassar finish: trim strip switch panel incl. cupholder trim, five part gear lever (2.3) or Tiptronic selector (4.1a), handbrake lever (4.3a).			802 803 EAA ECA 452 XCK XJU XMJ	Turbo Coupe	\$890
EAB	Makassar Package Switch Panel Dark Makassar finish: side air vents (2.5a), central air vent (2.6a). Leather finish in interior color: side air vent slats (2.5b), central air vent slats incl. switch trim (2.6b). Loudspeaker finisher on switch panel (center 2.8b), defroster trim (2.4a) incl. inlay in Makassar.			EAA EAC EAD EAE 802 803 452 XCK XJU XMJ XTU XTW CNA CDA	Turbo Coupe	\$2,700

Option	Description	Must Pick	Required	Conflict	Model	Price (USD)
XJT	Rear Ctr. Console Makassar Dark Makassar finish: rear section of center console including ashtray cover (4.4a), storage tray rear section of center console (4.4d). Leather finish in interior color: handbrake lever recess trim (4.4b).			XCK XME XMJ XMZ XJU 452 802 803 XTL XTU XTW	Turbo Coupe	\$1,625
XTT	Door Finishers Makassar Dark Makassar finish: front of door handle (3.2a), lid of door storage bin (3.3a) including lid extension on door storage bin (3.3c), door opener trim (3.2c).			XTL XTU XTV XTW 452 802 803 XCK XJU	Turbo Coupe	\$2,700
Custom Tailoring and Deviations - Wood						
CFC	PCM Handset Sycamore		666 668		Turbo Coupe	\$890
CFE	Belt Outlet B Pillar Sycamore 1.3b				Turbo Coupe	\$490
CFH	PCM Handset Makassar		666 668		Turbo Coupe	\$890
CFS	Belt Outlet B Pillar Makassar 1.3b				Turbo Coupe	\$490
Interior Options in Exterior Color						
XME	Rear Ctr Cons Painted ExtrClr Exterior paint finish: rear section of center console including ashtray cover (4.4a) (4.4a), storage tray rear section of center console (4.4d). Leather finish in interior color: handbrake lever recess trim (4.4b).			XMJ XMZ XCK XJT XJU	Turbo Coupe	\$730
XSA	Sport Seat Backs Painted Front Seat Backs Painted in exterior color.	P01L P78		789 XCG XSB	Turbo Coupe	\$1,495

Option	Description	Must Pick	Required	Conflict	Model	Price (USD)
Custom Tailoring and Deviations - Exterior Color						
CDG	Switch Pnl Pkg Painted Ext Clr Side air vents (2.5a) central air vents including switch trim (2.6a). Leather finish interior color: defroster trim (2.4a), side air vent slats (2.5b), central air vent slats (2.6b).				CDN CNA <i>Turbo Coupe</i>	\$1,990
CDH	Door Finishers Painted Ext Clr Front of door handle (3.2a), door opener trim (3.2c).				XTW <i>Turbo Coupe</i>	\$830
CDJ	Gear Lever Trim Exterior Color Decorative trim on gear lever/selector (4.2).				249 <i>Turbo Coupe</i>	\$290
CDM	Trim Strip Painted Ext Clr 2.3				CVP <i>Turbo Coupe</i>	\$520
CDN	Air Vent Slats Painted Ext Clr Side air vent slats (2.5b), central air vent slats (2.6b), Leather finish interior color: side air vents (2.5a), central air vents including switch trim (2.6a).				CDA <i>Turbo Coupe</i>	\$940
CDP	Instr Surround Painted Ext Clr Instrument surround (2.0d).				XNG XCL <i>Turbo Coupe</i>	\$440
CDR	Belt Outlet B Pillar Ext Clr 1.3b				CCW CDU <i>Turbo Coupe</i>	\$180
CER	PCM Handset Painted Ext Clr Paint finish upper section. Leather finish interior color: lower section, including support (three part).		666 668		CCR CEA <i>Turbo Coupe</i>	\$540
CGA	Headlight Cleaner Cvr Ext.Clr				<i>Turbo Coupe</i>	\$215
CNE	Spoiler Lip Painted				DAJ <i>Turbo Coupe</i>	\$590

Option	Description	Must Pick	Required	Conflict	Model	Price (USD)
CNF	Front Air Intakes Painted			DAJ CNC	Turbo Coupe	\$990
CNG	Lower Part of Rear Apron Pnted			DAJ	Turbo Coupe	\$590
CUC	Painted Model Desig Rear Lid Painted in exterior color.		498		Turbo Coupe	\$130
CUF	PCM Package Painted Ext.Color Interior parts 4.0b, 4.0c, 4.0d, 4.0e painted in exterior color.				Turbo Coupe	\$2,230
DAJ	Exterior Package Painted Painted in exterior color: Front air intakes: left/center/right, spoiler lip, lower part of rear apron.		XAJ	CNE CNF CNG CNC	Turbo Coupe	\$1,990

Custom Tailoring and Deviations - Black

CMD	Rear Center Console Pntd.Black Including ashtray cover (4.2), storage tray rear section of center console (4.4d).			XMZ XJT XJU XMJ XCK XME A1	Turbo Coupe	\$1,130
CMF	PCM Package Painted Black Black finish: PCM trim (4.0b), climate control trim (4.0c), lower switch trim (4.0d), lower storage bin (4.0e).			CCP CUR CUF A1	Turbo Coupe	\$2,230
CMG	Switch Panel Pkg.Painted Black Side air vents (2.5a) central air vents including switch trim (2.6a). Leather finish interior color: defroster trim (2.4a), side air vent slats (2.5b), central air vent slats (2.6b).			EAA EAB EAC EAD EAE CDA CDN CNA CDG CMN A1	Turbo Coupe	\$1,990
CMH	Door Finishers Painted Black Front of door handle (3.2a), door opener trim (3.2c).			XTV XTT XTU XTL XTW CDH A1	Turbo Coupe	\$830
CMJ	Gear Lever/Selector Trim Black Decorative trim on gear lever/ selector (4.2).			CDJ A1	Turbo Coupe	\$290

Option	Description	Must Pick	Required	Conflict	Model	Price (USD)
CML	PCM Handset Painted Black			CCR CFC CFH CED XEA CER A1	Turbo Coupe	\$540
CMM	Trim Strip Painted Black (2.3)			CDE CVP 801 802 803 CDM	Turbo Coupe	\$520
CMN	Air Vent Slats Painted Black Side air vent slats (2.5b), central air vent slats (2.6b), Leather finish interior color: side air vents (2.5a), central air vents including switch trim (2.6a).			CDA EAA EAB EAC EAD EAE CDG CMG A1 CDN	Turbo Coupe	\$940
CMP	Instrument Surround Pntd.Black Instrument surround (2.0d).			XNG XCL EAE CDP A1	Turbo Coupe	\$440
CMR	Belt Outlet B-Pillar Black			CCW CDU CFE CFS CJJ CDR A1	Turbo Coupe	\$180

Custom Tailoring and Deviations - Other

00471	Back Of Rear Seats Dev. Carpet		25241		Turbo Coupe	\$0
24891	Stitching F/R seats Dev. Color	AT DF FE JX MB RA TG 05 06 99		970	Turbo Coupe	\$940
24901	Dashboard Stitching Dev. Color				Turbo Coupe	\$240
24902	Door Stitching in Dev. Color	AT DF FE JX MB RA TG 05 06 99			Turbo Coupe	\$160
24903	Door Handle Stitching Dev.Clr.			XTT XTU XTL XTW 970	Turbo Coupe	\$470
24904	Dev.Stitching Side Centr Cnsl			970	Turbo Coupe	\$160

Option	Description	Must Pick	Required	Conflict	Model	Price (USD)
24905	Rear Side Panel Dev.Stitching			970	Turbo Coupe	\$310
24921	Upper Dash Deviating Color	AT DF FE JX MB RA TG 05 06		970 640 25731	Turbo Coupe	\$470
24922	Lower Dash in Deviating Color	AT DF FE JX MB RA TG 05 06		970	Turbo Coupe	\$310
24951	Deviating Carpet				Turbo Coupe	\$630
25221	Roofliner Dev. Color Alcantara			XMA	Turbo Coupe	\$310
25231	Frnt Seat Inlay Alcant Dev.Clr	AT DF FE JX MB RA TG 05 06		970 25491 P78 P01L	Turbo Coupe	\$550
25241	F/R Seats in Leather Dev Color	AT DF FE JX MB RA TG 05 06	00471	970	Turbo Coupe	\$2,130
25461	A/B/C Pillars in Standard Lthr				Turbo Coupe	\$790
25491	F/R Seat Inlays In Dev. Color	AT DF FE JX MB RA TG 05 06		970	Turbo Coupe	\$940
25631	Door Trim in Deviating Color				Turbo Coupe	\$310
25731	Upper Dash w/Spt. Chr Dev. Clr	AT DF FE JX MB RA TG 05 06 99	640	970 24921	Turbo Coupe	\$550
CXB	Door Entry Grds Stl Steel Illu Door entry Guards (right/left 3.6) in stainless steel with Turbo logo, illuminated in white.			X69 X70	Turbo Coupe	\$780

Option	Description	Must Pick	Required	Conflict	Model	Price (USD)
--------	-------------	-----------	----------	----------	-------	-------------

Exterior Cosmetic

498	Delete Model Designation				Turbo Coupe	\$0
-----	--------------------------	--	--	--	-------------	-----

XAJ	Standard Rocker Panels Painted Rocker panels painted body color.				Turbo Coupe	\$750
-----	---	--	--	--	-------------	-------

Additional Options

TD5	Tourist Delivery		900		Turbo Coupe	\$4,075
-----	------------------	--	-----	--	-------------	---------