

PORSCHE

911 GT3

US \$112,200

Model Year 2010 Standard Equipment includes:

Engine

435 hp, 317 lb ft torque - 3.8 liter horizontally opposed 6 cylinder, aluminum alloy engine block & cylinder heads, titanium connecting rods. Rear mounted engine. Dry sump lubrication system with external oil tank and oil cooler. 4 overhead camshafts, 4 valves per cylinder, "VarioCam Plus" variable inlet and exhaust valve timing. 2 stage resonance induction intake manifold. Cylinder specific knock control. Stainless steel sport exhaust system with 2 center tail pipes.

Power Transmission

6-speed Manual Transmission with double inertia flywheel and transmission oil cooling. Limited slip differential with asymmetrical locking action – 28% on acceleration/40% on deceleration. Hydraulic clutch actuation.

Chassis and Suspension

8.5"x19" pressure cast GT3 center lock wheels, 235/35ZR19 sport tires - Front. 12"x19" pressure cast GT3 wheels, 305/30ZR19 sport tires - Rear. Includes anti-theft device. TPMS – Tire Pressure Monitoring System. Puncture sealing compound and electric compressor. Power assisted steering with variable ratio. McPherson strut suspension with stabilizer bar – front. Multi link LSA (Light, Stable, Agile) suspension with stabilizer bar – rear. PASM – Porsche Active Suspension Management including 30mm lowering. Porsche Stability Management (PSM) with ASR (Anti Slip Regulation), ABD (Automatic Brake Differential) and EDTC (Engine Drag Torque Control).

Braking System

Redesigned 15.0" (front) and 13.8" (rear) vented and cross-drilled rotors constructed of cast iron discs (friction area) and light weight aluminum brake chambers (hub). 6 piston monobloc red calipers – front, 4 piston monobloc red calipers – rear. ABS 8.0 – Anti Lock Braking System, brake pad wear indicators, hand operated parking brake.

Body

Two seat Coupe, body shell hot dip galvanized on both sides. Luggage compartment lid and doors in aluminum. Front air dam with lower spoiler edge and additional air extractor vent in front of luggage compartment. Side windows with water repellant coating. Heatable rear window. Rear engine cover with 2 REM pressure collectors and fixed double deck wing. Rear logotype in black color. Full underbody paneling. 17.7 gallon fuel tank.

Lighting System

Bi-Xenon™ lighting system with dynamic headlight leveling and headlight cleaning system. Welcome home function. Separate lights in front apron with LED-Indicator light and projector fog lights. LED taillights. Uniform lighting concept in white for entire interior, continuously variable.

Electrical Equipment

CDR30 AM/FM/CD radio, 2 x 25 watt with 4 loudspeakers. On board computer w/ digital continuous indication of total mileage, trip mileage, time, outside temp and speed. 5 dial type gauges with yellow pointers indicating RPM's, speed, oil pressure, oil temperature, coolant temp and fuel level, w/ titanium colored dials. Rev counter includes GT3 logo and shift-up indicator. Power windows with tip up/tip down and anti-jamming. Two speed wiper system with wiper delay control, heated washer nozzles. Remote central locking w/ luggage compartment release. Anti theft system including passenger compartment monitoring. Cruise control.

Passive Safety Equipment

Fully galvanized high strength steel body w/ front & rear deformation zones. 3 point seat belts w/ pre-tensioners and force limiters. Seat belt height adjustment. 2 stage driver/passenger airbags. Porsche Side Impact Protection System (POSIP) consisting of side impact protection elements in each door, thorax side airbags integrated in seat backrests, head airbags located in door trim. Preparation for child seat anchorage (ISOFIX) on passenger side w/ switch for airbag deactivation.

Interior Equipment

Driver and passenger sport seats with electrical backrest adjustment and manual horizontal and height adjustment. 3 spoke GT3 steering wheel w/ manual reach and height adjustment. Seat inlays, steering wheel rim, gear selector, hand brake grip trimmed in Alcantara. Interior trim in soft-paint in interior color. Various interior parts in Volcano gray. Roof liner in Alcantara. Automatic climate control with integrated carbon filter. Two cup holders in front. Door storage bins. Door entry guards with "GT3" logotype. Illuminated vanity mirror, driver and passenger.

Porsche Cars North America – United States Order Guide – 2010 Model Year
Options, Prices, content, and availability are subject to change without notice.

PORSCHE

911 GT3 RS

US \$132,800

Model Year 2010 Standard Equipment includes:

Engine

450 hp, 317 lb ft torque - 3.8 liter horizontally opposed 6 cylinder, aluminum alloy engine block & cylinder heads, titanium connecting rods. Rear mounted engine. Dry sump lubrication system with external oil tank and oil cooler. 4 overhead camshafts, 4 valves per cylinder, "VarioCam Plus" variable inlet and exhaust valve timing. 2 stage resonance induction intake manifold. Cylinder specific knock control. Sport exhaust system with 2 titanium center tail pipes. Dynamic engine mounting.

Power Transmission

6-speed Manual Transmission with inertia flywheel and transmission oil cooling. Limited slip differential with asymmetrical locking action – 28% on acceleration/40% on deceleration. Hydraulic clutch actuation.

Chassis and Suspension

8.5"x19" pressure cast GT3 center lock wheels, 245/35ZR19 sport tires - Front. 12"x19" pressure cast GT3 center lock wheels, 325/30ZR19 sport tires - Rear. Includes anti-theft device. TPMS – Tire Pressure Monitoring System. Puncture sealing compound and electric compressor. Power assisted steering with variable ratio. McPherson strut suspension with larger stabilizer bar – front. Multi link LSA (Light, Stable, Agile) suspension with larger stabilizer bar – rear. PASM – Porsche Active Suspension Management including 30mm lowering. Porsche Stability Management (PSM) with ASR (Anti Slip Regulation), ABD (Automatic Brake Differential) and EDTC (Engine Drag Torque Control).

Braking System

Redesigned 15.0" (front) and 13.8" (rear) vented and cross-drilled rotors constructed of cast iron discs (friction area) and light weight aluminum brake chambers (hub). 6 piston monobloc red calipers – front, 4 piston monobloc red calipers – rear. ABS 8.0 – Anti Lock Braking System, brake pad wear indicators, hand operated parking brake.

Body

2-seat Coupe with flared body, 1" front wheelhouse enlargement and 1.73" rear vehicle body enlargement. Luggage compartment lid and doors in aluminum. Front air dam with lower spoiler edge and additional air extractor vent in front of luggage compartment. Side windows with water repellent coating. Plastic rear window. Rear opening hood (plastic material) with ram-pressure collector, wing support in forged aluminum, fix carbon rear wing and sideplates. Full underbody paneling. 17.7 gallon fuel tank. Standard contrasting color on wheels, front air intake, exterior mirrors, rear wing sideplates, side stripes, and rear logotype.

Lighting System

Bi-Xenon™ lighting system with dynamic headlight leveling and headlight cleaning system. Welcome home function. Separate lights in front apron with LED-Indicator light and projector fog lights. LED taillights. Uniform lighting concept in white for entire interior, continuously variable.

Electrical Equipment

CDR30 AM/FM/CD radio, 2 x 25 watt with 4 loudspeakers. On board computer w/ digital continuous indication of total mileage, trip mileage, time, outside temp and speed. 5 dial type gauges with yellow pointers indicating RPM's, speed, oil pressure, oil temperature, coolant temp and fuel level, w/ titanium colored dials. Rev counter includes GT3 logo and shift-up indicator. Power windows with tip up/tip down and anti-jamming. Two speed wiper system with wiper delay control, heated washer nozzles. Remote central locking w/ luggage compartment release. Anti theft system including passenger compartment monitoring. Cruise control.

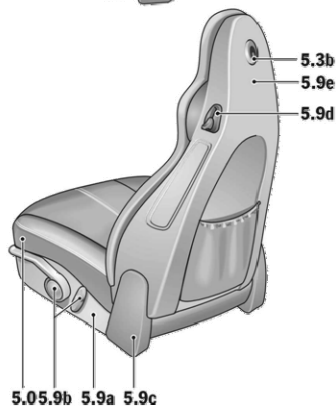
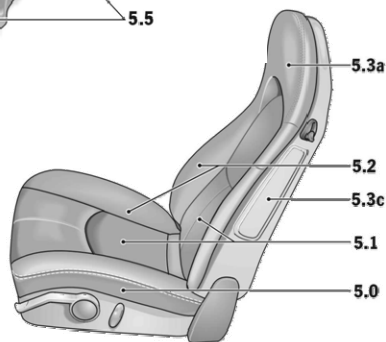
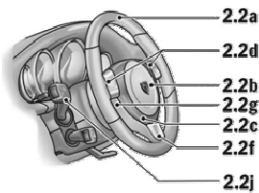
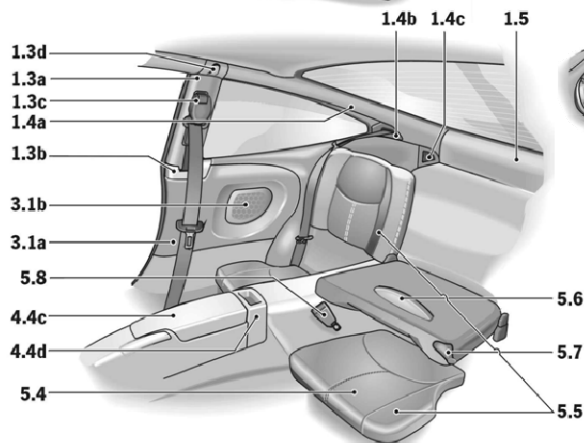
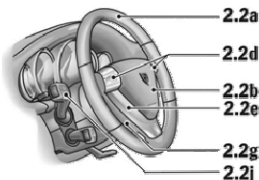
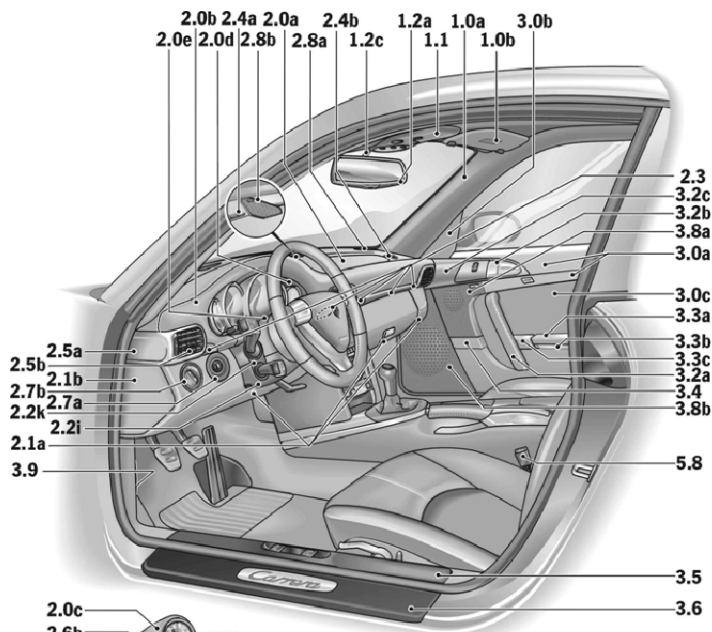
Passive Safety Equipment

Fully galvanized high strength steel body w/ front & rear deformation zones. 3 point seat belts w/ pre-tensioners and force limiters. Seat belt height adjustment. 2 stage driver/passenger airbags. Porsche Side Impact Protection System (POSIP) consisting of side impact protection elements in each door, thorax side airbags integrated in seat backrests, head airbags located in door trim. Preparation for child seat anchorage (ISOFIX) on passenger side w/ switch for airbag deactivation.

Interior Equipment

Driver and passenger sport bucket seats with manual horizontal adjustment. RS 3.8 Logo embroidered in red in headrest. 3-Spoke GT3 steering wheel with steering wheel rim in Alcantara, including yellow 12 o'clock mark and leather-covered airbag module, manual height and reach adjustment. Gear selector, hand brake grip, center armrest, and door armrest trimmed in Alcantara. Interior trim in soft-paint in black. Various interior parts in Volcano gray. Roof liner in Alcantara. Seat belts in guards red. Automatic climate control with integrated carbon filter. Door entry guards with "RS 3.8" logotype. Illuminated vanity mirror, driver and passenger.

Porsche Cars North America – United States Order Guide – 2010 Model Year
Options, Prices, content, and availability are subject to change without notice.



1.0a	A-pillar/windscreen frame trim
1.0b	Sun visors
1.1	Interior light surround
1.2a	Rear view mirror frame
1.2b	Rear view mirror casing
1.2c	Rear view mirror mounting
1.3a	B-pillar trim
1.3b	Belt outlets on B-pillars
1.3c	Belt height adjustment trim on B-pillars
1.3d	Clothes hook on B-pillars
1.4a	C-pillar trim
1.4b	Belt outlets on C-pillars
1.4c	Rear air vent
1.5	Rear panel trim
2.0a	Front part of dashboard incl. airbag cover
2.0b	Upper section of dashboard incl. instrument cover
2.0c	Timer cover
2.0d	Instrument surround
2.0e	Instrument surround lower section
2.1a	Lower section of dashboard incl. glove compartment, three-part
2.1b	Dashboard end trim
2.2a	Steering wheel rim
2.2b	Airbag module
2.2c	Airbag module surround on three-spoke sports steering wheel
2.2d	Tiptronic S switches (left/right) or spoke trim (left/right)
2.2e	"Y" trim on standard steering wheel
2.2f	Lower spoke trim on three-spoke sports steering wheel
2.2g	Steering wheel hub cover
2.2h	Steering wheel adjustment collar
2.2i	Steering column casing incl. hands-free microphone, three-part
2.2j	Control stalks
2.2k	Control stalk trim
2.3	Dashboard trim strip incl. cupholder trim, five-part
2.4a	Defroster trim
2.4b	Defroster air vent
2.5a	Side air vent
2.5b	Side air vent slats
2.6a	Central air vent incl. switch trim
2.6b	Central air vent slats
2.7a	Ignition lock surround
2.7b	Light switch surround
2.8a	Loudspeaker finishers on dashboard (left/right)
2.8b	Loudspeaker finisher on dashboard (center)
3.0a	Door trim incl. head-Airbag cover
3.0b	Mirror attachment point finishers incl. mirror controls and base plate
3.0c	Door panel
3.1a	Side trim, rear seat area
3.1b	Loudspeaker finishers at rear
3.2a	Front of door handle
3.2b	Door opener
3.2c	Door opener trim
3.3a	Lid of door storage bin
3.3b	Door storage bin surround
3.3c	Lid extension on door storage bin
3.4	Door panel trim
3.5	Inner door-sill guard
3.6	Outer door-sill guard
3.8a	Loudspeaker finishers (mid-tone) incl. seat memory trim (driver's side)
3.8b	Loudspeaker finishers (bass)
3.9	Fuse box trim
4.0a	Center console side trim, front
4.0b	PCM trim
4.0c	Climate control trim
4.0d	Lower center console trim
4.0e	Lower storage bin
4.1a	Gear lever or Tiptronic gear selector
4.1b	Gear lever trim
4.1c	Tiptronic gear selector gate surround
4.1d	Tiptronic gear selector gate
4.1e	Decorative trim on shift pattern or release of Tiptronic gear selector
4.2	Decorative trim on gear lever/selector
4.3a	Handbrake lever
4.3b	Handbrake finisher (upper section)
4.3c	Handbrake finisher (lower section)
4.4a	Rear section of center console incl. ashtray cover
4.4b	Handbrake lever recess trim
4.4c	Lid of storage bin in rear section of center console
4.4d	Storage tray rear section of center console
5.0	Seat base
5.1	Seat center, front
5.2	Lateral supports, front
5.3a	Integrated head restraints, front
5.3b	Clothes hook seat backrest
5.3c	Thorax airbag cover
5.4	Seat center, rear
5.5	Lateral supports, rear
5.6	Luggage stop on rear seat backrests
5.7	Release lever on rear seat backrests incl. base plate
5.8	Belt buckles (front/rear)
5.9a	Seat controls trim
5.9b	Seat controls
5.9c	Hinge cover
5.9d	Release lever surround
5.9e	Sports seat backrest

911

Revision 25.01.2007
VKI, MW

Order Guide

Option	Description	Must Pick	Required	Conflict	Model	Price (USD)
Standard Paint						
A1	Black				911 GT3	\$0
B4	Carrara White				911 GT3 911 GT3 RS	\$0 \$0
G1	Guards Red				911 GT3	\$0
X4	Speed Yellow				911 GT3	\$0
510	Contrasting Color - Guards Red				911 GT3 RS	\$0
511	Contrasting Color - White Gold Metallic				911 GT3 RS	\$0
Optional Metallic Paint						
9Q	Meteor Grey Metallic				911 GT3	\$710
9S	Macadamia Metallic				911 GT3	\$710
D2	Aqua Blue Metallic				911 GT3 911 GT3 RS	\$710 \$0
N4	Dark Blue Metallic				911 GT3	\$710
X1	Arctic Silver Metallic				911 GT3	\$710
Z4	Basalt Black Metallic				911 GT3	\$710

Option	Description	Must Pick	Required	Conflict	Model	Price (USD)
Special Paint						
8W	Nordic Gold Metallic				911 GT3	\$3,140
A4	Grey Black				911 GT3 RS	\$3,140
A6	Ruby Red Metallic				911 GT3	\$3,140
E7	Atlas Grey Metallic				911 GT3	\$3,140
H1	Malachite Green Metallic				911 GT3	\$3,140
J1	Porsche Racing Green Metallic				911 GT3	\$3,140
T2	Cream White				911 GT3	\$3,140
U2	GT Silver Metallic				911 GT3	\$3,140
Paint to Sample						
98	Non-Metallic Paint To Sample		789 25901		911 GT3	\$5,500
99	Metallic Paint to Sample		789 25901		911 GT3	\$5,500
	This option usually results in a production delay of 3 to 6 months. Not all color requests can be fulfilled and Porsche may require the customer or dealership to supply a paint sample or paint code in order to conduct feasibility testing. The deadline for submission of Model Year 2010 Paint to Sample orders will be approximately February 01, 2010.					

Option	Description	Must Pick	Required	Conflict	Model	Price (USD)
Full Leather						
78	Black Full Leather				911 GT3	\$3,285
	In addition to standard leather components, the following pieces are in leather: A-pillar/windscreen frame trim, B-pillar and C-pillar trim, front part of dashboard including airbag cover, upper part of dashboard including instrument cluster cover, door trim including head airbag cover, front side trims, rear side trims, and all leather items in smooth leather. In Alcantara: Door handle, door mirror, door storage compartment lid, extension of door storage compartment, center console storage compartment lid, and lower part of dashboard including glove compartment.				911 GT3 RS	\$3,285
Special Leather						
18	Natural Leather Dark Grey		998		911 GT3	\$4,795
	Leather dyed by means of a gentle process that maintains the material's natural characteristics. In addition to standard leather components, the following pieces are in leather: A-pillar/windscreen frame trim, B-pillar and C-pillar trim, front part of dashboard including airbag cover, upper part of dashboard including instrument cluster cover, door trim including head airbag cover, front side trims, rear side trims, and all leather items in smooth leather. In Alcantara: Door handle, door mirror, door storage compartment lid, extension of door storage compartment, center console storage compartment lid, and lower part of dashboard including glove compartment.					
28	Black Leather Seats				911 GT3	\$0
	Carpeting black, roofliner, steering wheel rim, shift lever and handbrake lever grip Alcantara black. Interior trim in black softpaint. 3-point seat belts in black, no rear seats. Upholstery: leather is in black with seat inlays in alcantara black.				911 GT3 RS	\$0
998	Leather Interior Natural Leather		18		911 GT3	\$0
	Leather specially dyed to retain natural characteristics. This option must be on all orders that have Natural Leather Dark Grey interior (option code 18) .					
Floormats						
810	Floor Mats in Interior Color				911 GT3	\$90
					911 GT3 RS	\$90
CFX	Floor Mats With Colored Trim			CJX 810	911 GT3	\$455
	Set of two floor mats. Carpet in Black, Ocean Blue, Stone Grey, Sand Beige, Carrera Red, Terracotta, Cocoa or Natural Brown. Smooth leather surround, including double stitching.				911 GT3 RS	\$455

Option	Description	Must Pick	Required	Conflict	Model	Price (USD)
CJX	Floor Mats with Leather Surround Smooth leather surround including double stitching in color of carpet. Inlay on front floor mats in smooth leather in color of the leather surround with embossed Porsche logo and stitching.			CFX 810	911 GT3	\$320
					911 GT3 RS	\$320
Seats						
342	Heated Seats Multi-stage heating system for front seats.		P01	P03	911 GT3	\$510
					911 GT3 RS	\$510
P01	Adaptive Sports Seats with Driver Memory Sport seats with electric adjustment for all seat functions, adjustable side bolsters, memory function for seat, and mirrors. Includes lumbar adjustment on driver side. Seatbacks in Volcano Grey.			P03	911 GT3	\$2,295
					911 GT3 RS	\$0
P03	Sport Bucket Seats Adjustable forward and backward only.			DAB P01 XSA XSB XVY 509	911 GT3	\$2,990
XSC	Porsche Crest in Headrests Head restraints on front seats embossed with Porsche crest.				911 GT3	\$285
					911 GT3 RS	\$285
Audio & Communications						
461	Rod Antenna External antenna to improve AM reception, mounted on front right fender.			609 686	911 GT3	\$0
					911 GT3 RS	\$0
490	Sound Package Plus Analog Sound-System with CD storage in glove compartment. Includes 9 loudspeakers and 235 watt output.			609	911 GT3	\$700
					911 GT3 RS	\$700
619	Bluetooth Hands-Free Phone Interface Bluetooth Interface for hands free mobile phone use. Operation of basic phone functions on PCM or multi-function steering wheel (if applicable).			609 618 666	911 GT3	\$695
					911 GT3 RS	\$695
639	Sport Chrono Package without PCM Includes analog and digital timer system on dashboard.			P23 609 640	911 GT3	\$690
					911 GT3 RS	\$690
640	Sport Chrono Package Plus Analog and digital chronometer, sport button in the center console and display in the PCM, also adds ability to adjust lighting, wipers, AC and door locking to suit personal preference.		P23	639	911 GT3	\$690
					911 GT3 RS	\$690
641	Electronic Logbook Enables automatic acquisition of mileage, driving distance, date, time and address of starting point and destination at every trip including PC- software for data download and evaluation.		P23		911 GT3	\$650
					911 GT3 RS	\$650

Option	Description	Must Pick	Required	Conflict	Model	Price (USD)
671	PCM Voice Control Voice activation for navigation, telephone, and stereo functions. Available for customer specified orders only.		P23		911 GT3	\$595
					911 GT3 RS	\$595
686	XM Radio Allows reception of XM Satellite Radio and XM NavTraffic. Complimentary 3-month service included - after 3 months, subscription is required. Note: XM service is not available in Alaska or Hawaii.		P23	461	911 GT3	\$750
					911 GT3 RS	\$750
692	6-Disc CD Changer Integrated in the CDR-30 stereo in place of the single CD. Includes audio playback of MP3s.			P23 609	911 GT3	\$650
					911 GT3 RS	\$650
693	6-Disc CD/DVD Changer Integrated in PCM. Includes ability to play MP3 music files and Audio DVDs.		P23		911 GT3	\$650
					911 GT3 RS	\$650
870	Universal Audio Interface On vehicles not equipped with PCM, includes an Auxiliary-In port. On PCM equipped vehicles, includes an iPod® port, a USB port for memory sticks or MP3 players, and an Auxiliary-In port for other external devices. iPods and USB sticks are fully controllable via PCM. For other auxiliary devices, a limited range of functions are accessible via PCM. NOTE: In combination with PCM the price is \$440.			609	911 GT3	\$95
					911 GT3 RS	\$95
P23	PCM 3.0 with Extended Navigation 6.5" screen with touchscreen controls. Dual tuner audio system with integrated MP3-able CD/DVD-player supporting audio/video DVDs, GPS harddisc-based navigation module with dynamic route planning. On board computer with simultaneous indicator of basic audio and navigation.		490	609 639	911 GT3	\$3,110
					911 GT3 RS	\$3,110
Technical						
140	Dynamic Engine Mounts Electronically controlled engine mount with variable rigidity and damping. System for automatic changing of engine mount characteristics by a magnetisable (magneto-rheological) fluid and an electrically generated magnetic field. This increases both driving dynamics and driving comfort. Depending on the driving conditions, lateral dynamics are increased with an almost completely rigid link of the power unit to the chassis in the style of the 911 GT3 Cup and 911 GT3 RSR racing cars. Or a more flexible link can be selected to provide increased driving comfort.				911 GT3	\$1,300

Option	Description	Must Pick	Required	Conflict	Model	Price (USD)
191	Lightweight Lithium-Ion Battery Reduces weight from standard battery by over 22 pounds. Note: The functionality of this battery is limited at temperatures below 32 degrees F. This option is not recommended for vehicles that may be driven at temperatures below freezing. Available beginning approximately 01/2010.				911 GT3	\$1,700
					911 GT3 RS	\$1,700
450	Porsche Ceramic Composite Brake (PCCB) Porsche Ceramic Composite Brake (PCCB) system. Carbon-fiber reinforced ceramic brake discs, internally ventilated and perforated, with yellow painted brake calipers.				911 GT3	\$8,840
					911 GT3 RS	\$8,840
474	Front Axle Lifting System Front of chassis can be raised pneumatically by approximately 30 mm to increase ground clearance at speeds of up to approximately 31 mph. Note: When the vehicle is parked, the lift system should be placed in it's lowered position as the air pressure is only maintained for a certain period of time.			600	911 GT3	\$3,490
					911 GT3 RS	\$3,490
509	Fire Extinguisher DIN EN3-compliant powder-based system containing 1 kg of extinguishant. Stows neatly beneath driver's seat.				P03 911 GT3	\$140
600	Lightweight Headlights Halogen headlights (without headlight washer system). Reduces weight from standard Bi-Xenon headlights with headlight washer system by approximately 13.2 pounds.			474 603	911 GT3	\$0
					911 GT3 RS	\$0
603	Dynamic Cornering Lights Headlights adjust dynamically based upon speed and turn angle.			600	911 GT3	\$690
					911 GT3 RS	\$690
P12	Self-Dim Mirrors & Rain Sensor Automatically dimming interior and exterior mirrors with integrated rain sensor.				911 GT3	\$690
Wheels						
346	Wheels Painted Silver The wheels are painted in Silver and have hub covers with a full-color Porsche crest.				911 GT3	\$0
					911 GT3 RS	\$0
CRX	Wheels Painted in Deviating Exterior Color Painted wheels (partially) and wheel centers including colored Porsche crest in deviating exterior color. Note: Wheels painted in matching exterior color is only available as option XD9. Only available in standard and special colors. Available beginning approximately 08/2009.		346	XDA XD9	911 GT3	\$1,630

Option	Description	Must Pick	Required	Conflict	Model	Price (USD)
XD9	Rims and Caps - Exterior Color Painted wheels and wheel centers with full-color Porsche crest.		346	X1 XDA	911 GT3	\$1,305
XDA	Wheels Painted Black		346	A1 XD9	911 GT3	\$1,630

Interior Options

574	No Air Conditioning				911 GT3 RS	\$0
585	Cupholders				911 GT3 RS	\$0
609	Deletion of Audio System CDR-30			P23 490 618 619 640 641 666 671 686 692 870	911 GT3 RS	\$0

Interior Cosmetic

XFG	Instrument dials in Guards Red Paint finish in Guards Red.			XFH XFJ	911 GT3 911 GT3 RS	\$860 \$860
XFH	Instrument dials in Speed Yellow Paint finish in Speed Yellow.			XFG XFJ	911 GT3	\$860
XFJ	Instrument dials in Carrara White Paint finish in Carrara White.			XFG XFH	911 GT3 911 GT3 RS	\$860 \$860
XSH	Seat Belts in Silver			XSX XSY	911 GT3 911 GT3 RS	\$340 \$340
XSX	Seat Belts in Guards Red Full set of belts for front and rear.			XSH XSY	911 GT3	\$340
XSY	Seat Belts in Speed Yellow			XSH XSX	911 GT3 911 GT3 RS	\$340 \$340
XXB	Outer Door-sill Guards in Stainless Steel, Illuminated Outer door-sill guards[3.6] in stainless steel with GT3 logo, illuminated in white.		XES	XXD X69	911 GT3 911 GT3 RS	\$845 \$845

Interior Options in Leather

841	Three-spoke Sports Steering Wheel with Smooth Leather Finish				911 GT3 911 GT3 RS	\$0 \$0
------------	---	--	--	--	-----------------------	------------

Option	Description	Must Pick	Required	Conflict	Model	Price (USD)
EAF	Interior Leather Package Smooth leather in interior color on instrument surround, side air vents and slats, central air vent including switch trim and slats, and cover of door opener.			EZA EZB XDP	911 GT3	\$2,170
EAK	A-pillar Leather Interior Package Switch panel end trim[2.1b], ignition lock surround[2.7a], and mirror attachment point finishers[3.0b] in smooth leather finish in interior color. Includes decorative stitching where appropriate.				911 GT3	\$740
XDU	Belt Outlet on B-Pillar in Leather Smooth leather finish in interior color on belt outlet on B-pillars[1.3b].			DAB XJJ	911 GT3	\$215
XDZ	Gear Lever Trim in Leather				911 GT3	\$260
XMA	Rooflining in Leather Rooflining in leather in interior color.				911 GT3	\$1,180
XMP	Sun Visors in Leather Sun visors and vanity mirror covers in leather in interior color.				911 GT3	\$560
XMZ	Rear Center Console in Leather Rear section of center console including ashtray cover[4.4a], storage tray rear section of center console[4.4d], and handbrake lever recess trim[4.4b] in smooth leather finish in interior color.			XME XMJ	911 GT3	\$1,260
XNG	Instrument Surround in Leather Instrument surround in leather finish in interior color.			XDP	911 GT3	\$440
XNS	Steering Column in Leather Steering column casing (three-part) in smooth leather finish in interior color.				911 GT3	\$420
XSB	Sport Seat Backs in Leather Rear of backrests in smooth leather in interior color.			P03 XSA	911 GT3	\$1,870
XTG	Inner Sill Finishers in Leather Inner sill finishers in leather in interior color.				911 GT3	\$585
XV1	Defroster Trim in Leather Defroster trim and loudspeaker finisher on switch panel in smooth leather finish in interior color, including decorative stitching where appropriate.				911 GT3	\$535
XVP	Dashboard Trim Strip in Leather Dashboard trim strip[five part, 2.3], including cupholder trim, in smooth leather finish in interior color.			EZA	911 GT3	\$605

Option	Description	Must Pick	Required	Conflict	Model	Price (USD)
XVT	Door and Rear Loudspeaker Finishers in Leather Rear loudspeaker finishers[3.1b], door panel trim[3.4], mid-range loudspeaker finishers[3.8a], and bass loudspeaker finishers[3.8b] in smooth leather finish in interior color. Includes decorative stitching where appropriate.	18 78		28	911 GT3	\$2,570
XVW	Rear View Mirror in Leather Rear view mirror frame[1.2a], rear view mirror casing[1.2b], and rear view mirror mounting[1.2c] in smooth leather finish in interior color.				911 GT3	\$675
XVY	Clothes Hook on Seat Backrest in Leather			P03	911 GT3	\$250
XZD	Dome Lamp Cover in Leather Interior light cover[1.1] in smooth leather finish in interior color.				911 GT3	\$335
Custom Tailoring and Deviations - Leather						
CDT	Seat Belt Buckles in Leather Seat belt buckles featuring smooth leather finish in interior color, including decorative stitching where appropriate.				911 GT3 911 GT3 RS	\$535 \$535
CDU	Belt Outlet B Pillar Leather			CDR CJJ CMR DAB XDR XDU XJJ	911 GT3 911 GT3 RS	\$215 \$215
CNB	Defroster Air Vents in Leather Smooth leather finish in interior color on defroster air vents. Soft touch paint finish in interior color on defroster air vent slats.				911 GT3	\$365
CPU	Key Pouch in Interior Color Leather In smooth leather in interior color with embossed Porsche crest and decorative seam.				911 GT3 911 GT3 RS	\$95 \$95
CUJ	Fuse Box Cover in Leather Smooth leather finish in interior color on fuse box cover. Includes decorative stitching where appropriate.				911 GT3	\$165
CUR	PCM Package in Leather Smooth leather finish in interior color on PCM trim[4.0b], climate control trim[4.0c], lower switch trim[4.0d], lower storage bin[4.0e].		P23	CMF CUF	911 GT3	\$2,225
CVW	Rear View Mirror in Leather Smooth leather finish in interior color on rear view mirror frame, rear view mirror casing, and rear view mirror mounting.			XVW	911 GT3	\$675

Option	Description	Must Pick	Required	Conflict	Model	Price (USD)
CVY	Clothes Hook on Seat Backrest in Leather Clothes hook on seat backrest in smooth leather finish in interior color. Includes decorative stitching where appropriate.			DAB P03 XVY	911 GT3	\$250
CYW	Sun Visors in Alcantara Sun visors[1.0b] and vanity mirror covers with Alcantara finish in Black.			CVW XMP	911 GT3 911 GT3 RS	\$560 \$560
DAB	Interior Package B Pillar in Leather Leather finish interior color on belt outlet on B pillar, belt height adjustment trim on B pillars, clothes hook on B pillars, and clothes hook on seat backrest. Includes decorative stitching where appropriate.			CDU CVY XDU XVY	911 GT3	\$965
Interior Options in Aluminum Look						
XXZ	Footrest in Aluminum Driver's side foot rest in aluminum and rubber.				911 GT3 911 GT3 RS	\$250 \$250
Interior Options in Carbon						
EZA	Interior Package Carbon Dashboard trim including trim cupholder[2.3], gear lever (partially[4.1a]), and top part of handbrake[4.3b] in carbon finish. Alcantara finish on gear lever (including gearshift pattern trim in volcano grey), and handbrake grip[4.3a] (including insertion in volcano grey with GT3 logo in white).			XDM	911 GT3	\$1,040
EZB	Carbon Package Switch Panel Carbon Finish on inlay in defroster trim, side air vents, central air vents, and door opener trim. Smooth Leather Finish in Interior Color on side air vent slats, central air vent slats including switch trim, loudspeaker finisher on switch panel, and defroster trim.			CDG CDN CMG CMN EAF	911 GT3	\$2,330
EZC	Carbon package Gear lever[partially, 4.1a] and upper section of handbrake finisher[4.3b] in Carbon finish. Alcantara finish on gear lever[4.1a] including decorative trim on shift pattern[4.1e] in Volcano Grey with shift pattern in White, and handbrake lever[4.3a] including inlay in Volcano Grey with GT3 logo in White. Note: available from approximately 03/2010.				911 GT3 RS	\$790
EZD	Extended carbon package Side air vents[2.5a] and central air vent[2.6a] in Carbon finish. Side air vent slats[2.5b] and central air vent slats including switch trim[2.6b] in smooth leather finish in interior color. Note: available from approximately 03/2010.			CDG CDN CMG CMN	911 GT3 RS	\$1,760
X69	Door Entry Guards in Carbon Door entry guards[3.6] in carbon with GT3/RS 3.8 logo.			XXB XXD	911 GT3 911 GT3 RS	\$780 \$780

Option	Description	Must Pick	Required	Conflict	Model	Price (USD)
XJJ	Belt Outlets on B Pillars in Carbon			XDU	911 GT3	\$450
					911 GT3 RS	\$450
XMJ	Rear Center Console Carbon Rear section of center console including ashtray cover, storage tray rear section of center console in carbon finish. Handbrake lever recess trim in leather finish in interior color.			XME XMZ	911 GT3	\$1,625
					911 GT3 RS	\$1,625
XXD	Door Entry Guards in Carbon, Illuminated		YES	XXB X69	911 GT3	\$1,365
					911 GT3 RS	\$1,365

Custom Tailoring and Deviations - Carbon

CJJ	Belt Outlet B Pillar Carbon				CDR CDU CMR	911 GT3	\$450
					XDR XDU XJJ	911 GT3 RS	\$450

Interior Options in Alcantara

XLG	Lid of Storage Bin in Alcantara with Porsche Logo				911 GT3	\$490
					911 GT3 RS	\$490

Customer Tailoring and Deviations - Alcantara

CLA	Steering Wheel in Alcantara Thicker steering wheel rim in Alcantara black with cross-stitched seam. Airbag module is not in Alcantara. Note: Available beginning approximately 01/2010.		841		911 GT3	\$1,105	
					911 GT3 RS	\$1,105	
CLE	Trim Strip Switch Panel in Alcantara Trim strip in Alcantara including cup holder.				CDM CMM EZA XDM XVP	911 GT3	\$775

Interior Options in Exterior Color

XME	Rear Center Console in Exterior Color Paint finish in exterior color on rear section of center console, including ashtray cover and storage tray rear on section of center console. Leather finish in interior color on handbrake lever recess trim.				XMJ XMZ	911 GT3	\$730
						911 GT3 RS	\$730
XSA	Sport Seat Backs Painted in Exterior Color				98 99 P03 XSB	911 GT3	\$1,580

Custom Tailoring and Deviations - Exterior Color

CDG	Switch Panel Package Painted Exterior Color Side air vents central air vents including switch trim. Leather finish interior color: defroster trim, side air vent slats, central air vent slats.				EAF CDN CMG	911 GT3	\$2,030
					CMN EZB XV1	911 GT3 RS	\$2,030
CDJ	Gear Lever Trim in Exterior Color Paint finish in exterior color on decorative trim on gear lever/selector.				CMJ XDJ	911 GT3	\$295

Option	Description	Must Pick	Required	Conflict	Model	Price (USD)
CDM	Trim Strip Painted in Exterior Color Paint finish in exterior color on trim strip switch panel, including cupholder trim.			CLE CMM EZA XDM XVP	911 GT3	\$520
CDN	Air Vent Slats Painted in Exterior Color Paint finish in exterior color on side air vent slats and central air vent slats. Smooth leather finish in interior color on side air vents, central air vent including switch trim.			CDG CMG CMN EAF EZB	911 GT3 911 GT3 RS	\$1,010 \$1,010
CDP	Instrument Surround Painted in Exterior Color			CMP EAF XDP XNG	911 GT3	\$440
CDR	Belt Outlet on B-pillars Painted in Exterior Color			CDU CJJ CMR	911 GT3	\$200
CET	Door Opener Trim Painted in Exterior Color Door opener trim[3.2c] in paint finish in exterior color. Note: recommended in conjunction with belt-outlet B-pillars painted (code XDR).			CMK EAF EZB	911 GT3	\$725
CGA	Headlight Cleaner Cover in Exterior Color			XUB 600	911 GT3 911 GT3 RS	\$295 \$295
CMA	Exterior Mirror Attachment Point Finishers Painted Exterior Color Exterior mirror attachment point finishers painted in exterior color.				911 GT3 911 GT3 RS	\$500 \$500
CMC	Door Opener Painted in Exterior Color			CDC	911 GT3	\$550
CME	Rear Section of Center Console Painted in Deviating Color Paint finish in exterior color on rear section of center console including ashtray cover and storage tray in rear section of center console. Smooth leather finish in interior color on handbrake lever recess trim. Note: Rear section of center console with paint finish in matching exterior color is only available as option XME.			CMD XME XMJ XMZ	911 GT3 911 GT3 RS	\$1,130 \$1,130
CMT	Sport Bucket Seat Belt Passage Painted		P03	CMS CMU	911 GT3 911 GT3 RS	\$655 \$655
CUC	Model Designation on Rear Lid Painted Exterior Color		498	XUC	911 GT3	\$200
CUF	PCM Package Painted in Exterior Color PCM trim[4.0b], climate control trim[4.0c], lower switch trim[4.0d], and lower storage bin[4.0e] painted in exterior color.		P23	CMF CUR	911 GT3 911 GT3 RS	\$2,225 \$2,225

Option	Description	Must Pick	Required	Conflict	Model	Price (USD)
XDJ	Gear Lever Trim in Exterior Color Paint finish in exterior color on decorative trim on gear lever/selector[4.2].				911 GT3	\$295
					911 GT3 RS	\$295
XDM	Trim Strip Painted in Exterior Color			EZA	911 GT3	\$520
XDP	Instrument Surround Painted in Exterior Color			EAF XNG	911 GT3	\$440
					911 GT3 RS	\$440
XDR	Belt Outlets on B-pillars Painted in Exterior Color Belt outlets on B-pillars[1.3b] in paint finish in exterior color.				911 GT3	\$200
					911 GT3 RS	\$200
Custom Tailoring and Deviations - Black						
CDC	Door Opener Painted Black				911 GT3	\$550
CMD	Rear Center Console Painted Black Paint finish in Black on rear section of center console, including ashtray cover, and storage tray on rear section of center console. Smooth leather finish in interior color on handbrake lever recess trim.			CME XME XMJ	911 GT3	\$1,130
				XMZ	911 GT3 RS	\$1,130
CMF	PCM Package in Black PCM trim[4.0b], climate control trim[4.0c], lower switch trim[4.0d], and lower storage bin[4.0e] in black paint finish.		P23	CUF CUR	911 GT3 911 GT3 RS	\$2,225 \$2,225
CMG	Switch Panel Package Painted Black Side air vents and central air vents including switch trim painted black. Leather finish interior color on defroster trim, side air vent slats and central air vent slats.			CDG CDN CMN	911 GT3	\$2,030
				EAF EZB XV1	911 GT3 RS	\$2,030
CMJ	Gear Lever/Selector Trim Painted Black			CDJ XDJ	911 GT3 911 GT3 RS	\$295 \$295
CMK	Door Opener Trim Painted Black Door opener trim[3.2c] in Black paint finish. Note: Recommended in conjunction with belt-outlet B-pillars in Black (code CMR).			CET EAF EZB	911 GT3	\$725
CMM	Trim Strip Painted Black Paint finish in Black on trim strip switch panel including cupholder trim (five-part).			CDM CLE XDM	911 GT3	\$520
				XVP		
CMN	Air Vent Slats Painted Black Paint finish in Black on side air vent slats and central air vent slats. Smooth leather finish in interior color on side air vents and central air vent including switch trim.			CDG CDN CMG	911 GT3	\$1,010
				EAF EZB	911 GT3 RS	\$1,010

Option	Description	Must Pick	Required	Conflict	Model	Price (USD)
CMP	Instrument Surround Painted Black			CDP	911 GT3	\$440
					911 GT3 RS	\$440
CMR	Belt Outlets on B-Pillars Painted Black			CDR CDU CJJ XDR XDU XJJ	911 GT3	\$200
					911 GT3 RS	\$200
CMU	Sport Bucket Seat Belt Passage in Black		P03	CMT P01	911 GT3	\$655
					911 GT3 RS	\$655
Custom Tailoring and Deviations - Other						
09991	All Exclusive Options with Deviating Stitching				911 GT3	\$290
					911 GT3 RS	\$290
24901	Stitching of Dashboard in Deviating Color	18 78	78	25992	911 GT3	\$310
					911 GT3 RS	\$310
24902	Stitching of Door Trim in Deviating Color	18 78	78	25993	911 GT3	\$310
					911 GT3 RS	\$310
24903	Stitching of Door Handle in Deviating Color			25994 26181	911 GT3	\$550
	Stitching of door handles and door storage compartment lid in deviating thread color.					
24904	Stitching of Side Center Console in Deviating Color	18 78	78	25995	911 GT3	\$310
					911 GT3 RS	\$310
24905	Stitching of Rear Side Panel in Deviating Color	18 78	78	25996	911 GT3	\$390
					911 GT3 RS	\$390
25851	Stitching of Front Seats in Deviating Color			26041	911 GT3	\$630
					911 GT3 RS	\$630
26141	Seat Inlays in Standard Leather				911 GT3	\$1,180
	Replaces the Alcantara seat inlays with Standard Leather					
26181	Door Pull Handle and Storage Compartment Lid in Standard Leather			24903 25994	911 GT3	\$470
	Replaces the Alcantara cover of the door pull handle and storage compartment lid with standard leather.					
26182	Door Center Panel in Standard Leather	18 78			911 GT3	\$310
	Replaces the Alcantara cover of the door center panel with standard leather.					
26183	Rear Center Console Storage Compartment Lid in Standard Leather	18 78			911 GT3	\$160
	Replaces the Alcantara cover of the rear center console storage compartment lid with Standard Leather.					

Option	Description	Must Pick	Required	Conflict	Model	Price (USD)
CGG	Sport Chrono Timer Display Painted Guards Red	639 640		CGH CGJ	911 GT3	\$500
					911 GT3 RS	\$500
CGH	Sport Chrono Timer Display Painted Speed Yellow	639 640		CGG CGJ	911 GT3	\$500
CGJ	Sport Chrono Timer Display Painted Carrara White	639 640		CGG CGH	911 GT3	\$500
					911 GT3 RS	\$500
Exterior Cosmetic						
498	Delete Model Designation			XUC	911 GT3	\$0
XUB	Headlight Cleaner cover in Exterior Color			600	911 GT3	\$295
					911 GT3 RS	\$295
XUC	Model Designation on Rear Lid in Exterior Color			498	911 GT3	\$200
XUZ	Wing Mirror in Aluminum Look Lower part of wing mirror shell in aluminum look paint finish.				911 GT3	\$550