

# PORSCHE®

**911 GT3 RS**

**US \$123,200**

Model Year 2007 Standard Equipment includes:

## **Engine**

415 hp, 299 lb ft torque - 3.6 liter horizontally opposed 6 cylinder, aluminum alloy engine block & cylinder heads, titanium connecting rods. Rear mounted engine. Dry sump lubrication system with external oil tank and oil cooler. 4 overhead camshafts, 4 valves per cylinder, "VarioCam" variable inlet valve timing. 2 stage resonance induction intake manifold. Cylinder specific knock control. Stainless steel sport exhaust system with 2 center tail pipes.

## **Power Transmission**

6-speed Manual Transmission with single-mass flywheel and transmission oil cooling. Limited slip differential with asymmetrical locking action – 28% on acceleration/40% on deceleration. Hydraulic clutch actuation.

## **Chassis and Suspension**

8.5"x19" pressure cast GT3 wheels, 235/35ZR19 sport tires - Front. 12"x19" pressure cast GT3 wheels, 305/30ZR19 sport tires - Rear. Includes anti-theft device. TPMS – Tire Pressure Monitoring System. Puncture sealing compound and electric compressor. Power assisted steering with variable ratio. McPherson strut suspension with stabilizer bar – front. Multi link LSA (Light, Stable, Agile) suspension with stabilizer bar – rear. PASM – Porsche Active Suspension Management including 30mm lowering. Traction Control with ASR (Anti Slip Regulation), ABD (Automatic Brake Differential) and EDTC (Engine Drag Torque Control).

## **Braking System**

13.8" vented and perforated rotors w/ 6 piston monobloc red calipers – front, 4 piston monobloc red calipers – rear. ABS 8.0 – Anti Lock Braking System, brake pad wear indicators, hand operated parking brake.

## **Body**

Two seat Coupe, body shell hot dip galvanized on both sides. Reduced PVC underbody coating. Flared body with lateral decorative stripe including GT3 RS logo in contrasting color. Doors in aluminum. Front air dam with lower spoiler edge and additional air extractor vent in front of luggage compartment. Side windows with water repellent coating. Rear window of thin glass. Rear engine cover with 2 REM pressure collectors and fixed carbon fiber wing. Rear logotype in contrasting color. Full underbody paneling. 17.7 gallon fuel tank.

## **Lighting System**

H7 Halogen headlights with welcome home function. Front and rear fog lamps. Uniform lighting concept in white for entire interior, continuously variable. Foot well lighting.

### **Electrical Equipment**

CDR24 AM/FM/CD radio, 2 x 25 watt with 4 loudspeakers. On board computer w/ digital continuous indication of total mileage, trip mileage, time, outside temp and speed. 5 dial type gauges with yellow pointers indicating RPM's, speed, oil pressure, oil temperature, coolant temp and fuel level, w/ titanium colored dials. Rev counter includes GT3 logo and shift-up indicator. Power windows with tip up/tip down and anti-jamming. Two speed wiper system with wiper delay control, heated washer nozzles. Remote central locking w/ luggage compartment release. Anti theft system including passenger compartment monitoring. Cruise control, weight reduced battery.

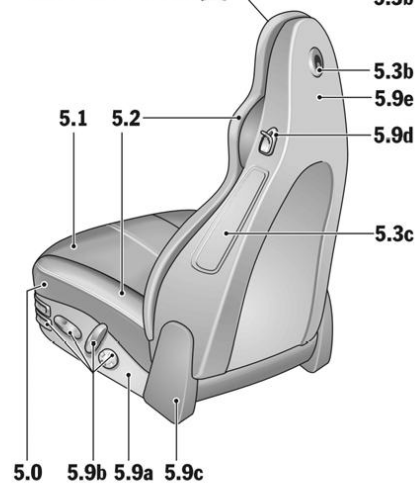
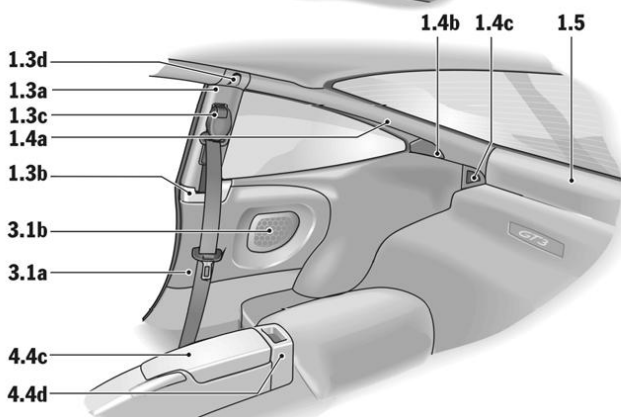
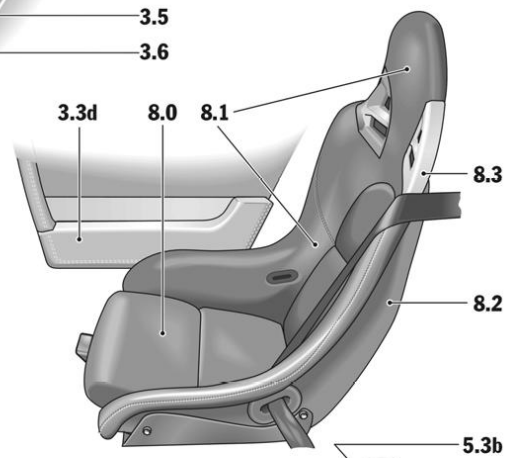
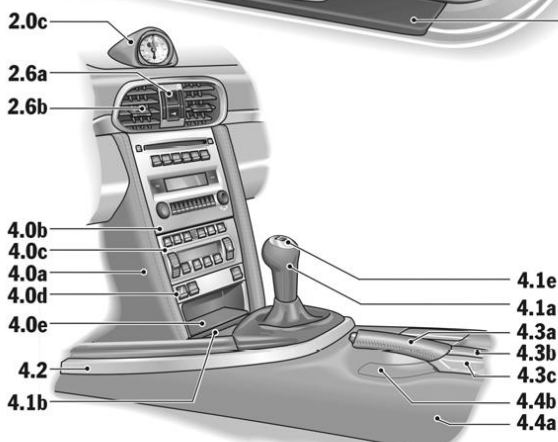
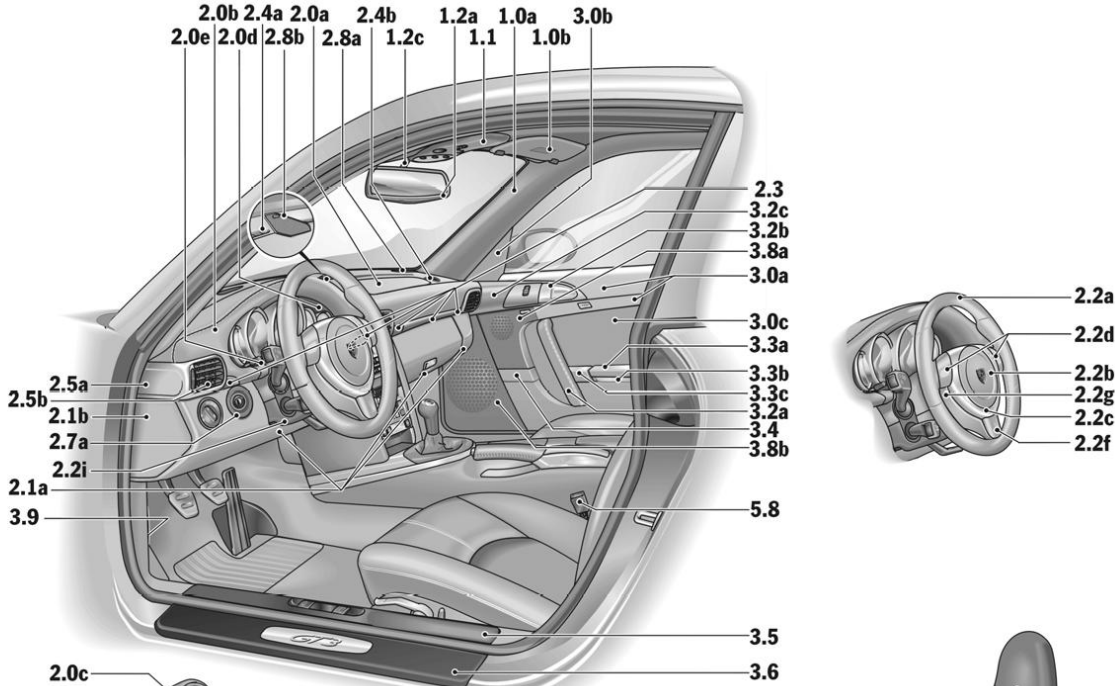
### **Passive Safety Equipment**

Fully galvanized high strength steel body w/ front & rear deformation zones. 3 point seat belts w/ pre-tensioners and force limiters. Seat belt height adjustment. 2 stage driver/passenger airbags. Porsche Side Impact Protection System (POSIP) consisting of side impact protection elements in each door and head airbags located in door trim. Bolstering element fixed on each door panel. Preparation for child seat anchorage (ISOFIX) on passenger side w/ switch for airbag deactivation.

### **Interior Equipment**

Driver and passenger sport seats with electrical backrest adjustment and manual horizontal and height adjustment. 3 spoke GT3 steering wheel w/ manual reach and height adjustment. Seat inlays, steering wheel rim, gear selector, hand brake grip trimmed in Alcantara. Interior trim in soft-paint black. Various interior parts in Volcano gray. Roof liner in Alcantara. Automatic climate control with integrated carbon filter. Two cup holders in front. Door storage bins deleted. Door entry guards with "GT3 RS" logotype. Illuminated vanity mirror, driver and passenger.

Porsche Cars North America – United States Order Guide – 2007 Model Year  
Options, Prices, content, and availability are subject to change without notice.



Nr.	911 GT3 Description	Nr.	911 GT3 Description
1.0a	A-pillar/windscreen frame trim	4.0a	Centre console side trim, front
1.0b	Sun visors	4.0b	Radio or PCM trim
1.1	Interior light surround	4.0c	Climate control trim
1.2a	Rear view mirror frame	4.0d	Lower switch trim
1.2b	Rear view mirror casing	4.0e	Lower storage bin
1.2c	Rear view mirror mounting	4.1a	Gear lever or Tiptronic gear selector
1.3a	B-pillar trim	4.1b	Gear lever trim
1.3b	Belt outlets on B-pillars	4.1e	Decorative trim on shift pattern
1.3c	Belt height adjustment trim on B-pillars	4.2	Decorative trim on gear lever
1.3d	Clothes hook on B-pillars	4.3a	Handbrake lever
1.4a	C-pillar trim	4.3b	Handbrake finisher (upper section)
1.4b	Belt outlets on C-pillars	4.3c	Handbrake finisher (lower section)
1.4c	Rear air vent	4.4a	Rear section of centre console incl. ashtray cover
1.5	Rear panel trim	4.4b	Handbrake lever recess trim
2.0a	Switch panel (front part) incl. airbag cover	4.4c	Lid of storage bin in rear section of centre console
2.0b	Switch panel (upper section) incl. instrument cover	4.4d	Storage tray rear section of centre console
2.0c	Timer cover	5.0	Seat base
2.0d	Instrument surround	5.1	Seat centre
2.0e	Instrument surround lower section	5.2	Lateral supports
2.1a	Switch panel (lower section) incl. glove compartment, three-part	5.3a	Integrated head restraints
2.1b	Switch panel end trim	5.3b	Clothes hook seat backrest
2.2a	Steering wheel rim	5.3c	Thorax airbag cover
2.2b	Airbag module	5.8	Belt buckles (front/rear)
2.2c	Airbag module surround on three-spoke sports steering wheel	5.9a	Seat controls trim
2.2d	Tiptronic S switches (left/right) or spoke trim (left/right)	5.9b	Seat controls
2.2f	Lower spoke trim on three-spoke sports steering wheel	5.9c	Hinge cover
2.2g	Steering wheel hub cover	5.9d	Release lever surround
2.2h	Steering wheel adjustment collar	5.9e	Sports seat backrest
2.2i	Steering column casing incl. hands-free microphone, three-part	8.0	Seat centre
2.3	Trim strip switch panel incl. cupholder trim, five-part	8.1	Lateral supports and head restraints
2.4a	Defroster trim	8.2	Bucket seat backrest
2.4b	Defroster air vent	8.3	Seat harness openings
2.5a	Side air vent		
2.5b	Side air vent slats		
2.6a	Central air vent incl. switch trim		
2.6b	Central air vent slats		
2.7a	Ignition lock surround		
2.8a	Loudspeaker finishers (treble) on switch panel (left/right)		
2.8b	Loudspeaker finisher on switch panel (centre)		
3.0a	Door trim incl. Head-Airbag cover		
3.0b	Mirror attachment point finishers incl. mirror controls and base plate		
3.0c	Door panel		
3.1a	Side trim, rear seat area		
3.1b	Loudspeaker finishers at rear		
3.2a	Front of door handle		
3.2b	Door opener		
3.2c	Door opener trim		
3.3a	Lid of door storage bin		
3.3b	Door storage bin surround		
3.3c	Lid extension on door storage bin		
3.3d	Door panel impactabsorbent padding		
3.4	Door panel trim		
3.5	Inner sill finisher		
3.6	Door entry guard		
3.8a	Loudspeaker finishers (mid-tone) incl. seat memory trim (driver's side)		
3.8b	Loudspeaker finishers (bass)		
3.9	Fuse box trim		

# Order Guide

Option	Description	Must Pick	Required	Conflict	Model	Price (USD)
<b>Standard Paint</b>						
A1	<b>Black</b> With decorative stripe, outside mirrors, sideplate, and wheels in Orange.				911 GT3 RS	\$0
<b>Optional Metallic Paint</b>						
X1	<b>Arctic Silver Metallic</b> With decorative stripe, outside mirrors, sideplate, and wheels in Orange.				911 GT3 RS	\$690
<b>Special Paint</b>						
B4	<b>Carrara White</b> No decorative stripes. Wheels painted silver. Sideplates at rear wing painted black. Logo in black on rear hood.		346		911 GT3 RS	\$4,315
J5	<b>Green</b> With decorative stripe, outside mirrors, sideplate, and wheels in Black.				911 GT3 RS	\$3,070
N2	<b>Orange</b> With decorative stripe, outside mirrors, sideplate, and wheels in Black.				911 GT3 RS	\$3,070

Option	Description	Must Pick	Required	Conflict	Model	Price (USD)
<b>Full Leather</b>						
78	<b>Black Full Leather</b> Carpeting in black. Roofliner in alcantara black. Additional leather trim in smooth leather: windshield pillar covering, windshield frame, center pillar covering, rear pillar covering, front part of dashboard including airbag cover, dashboard top part including instrument cluster cover, bottom part of dashboard including glove-box lid, door trim including head airbag cover, front and rear side. Steering wheel rim, shift lever, handbrake lever grip, door handles, door center panel, door storage bin and lid of center console in alcantara black. Sunvisors in leatherette black, interior trim in black soft paint. Backrest of sport seats painted black. 3-point seat belts in black. Upholstery: Black leather with seat inlays in alcantara black.				911 GT3 RS	\$2,995
<b>Special Leather</b>						
28	<b>Black Leather Seats</b> Carpeting black, roofliner, steering wheel rim, shift lever and handbrake lever grip alcantara black. Interior trim in black softpaint. 3-point seat belts in black. Upholstery: leather is in black with seat inlays in alcantara black.				911 GT3 RS	\$0
<b>Floormats</b>						
810	<b>Floor Mats - Interior Color</b> Floor mats in black with matching trim and embroidered Porsche logo on front of mats. (Two Pieces)				911 GT3 RS	\$140
CFX	<b>Floor Mats With Colored Trim</b>				911 GT3 RS	\$440
<b>Audio &amp; Communications</b>						
461	<b>Rod Antenna</b>				911 GT3 RS	\$0
639	<b>Chrono Package</b> Includes analog timer system on the dashboard and digital timer in instrument dials.		640		911 GT3 RS	\$690

Option	Description	Must Pick	Required	Conflict	Model	Price (USD)
640	<b>Chrono Package Plus</b> Package includes analog and digital chronometer, with performance display in the PCM. Also adds ability to adjust lighting, wipers, AC and door locking to suit personal preference.		P16	639	911 GT3 RS	\$690
666	<b>Module for Telephone PCM</b> Phone module for PCM allows users with a GSM phone to insert a SIM card and use the PCM as a hands-free telephone.				911 GT3 RS	\$960
P16	<b>PCM 2.1</b> 5.8" screen with 12 button keypad. 2-tuner, top-radio with integrated CD-Rom/Audio drive, DVD-based GPS navigation module, on-board computer with simultaneous indicator of basic audio and navigation information.			639	911 GT3 RS	\$3,070
<b>Technical</b>						
450	<b>Ceramic Composite Brakes-PCCB</b>				911 GT3 RS	\$8,840
P74	<b>Bi-Xenon Headlamp Package</b>				911 GT3 RS	\$1,090
<b>Wheels</b>						
346	<b>Wheels Painted Silver</b>				911 GT3 RS	\$0
<b>Interior Options</b>						
574	<b>No Air Conditioning Desired</b>				911 GT3 RS	\$0
<b>Interior Cosmetic</b>						
XSH	<b>Seat Belts - Silver</b>			XSX XSY	911 GT3 RS	\$540
XSX	<b>Seat Belts - Guards Red</b>			XSH XSY	911 GT3 RS	\$540

Option	Description	Must Pick	Required	Conflict	Model	Price (USD)
XSY	<b>Seat Belts - Speed Yellow</b>			XSH XSX	911 GT3 RS	\$540
XXZ	<b>Foot Rest Aluminum</b> Driver's side foot rest in aluminum and rubber.				911 GT3 RS	\$250
<b>Interior Options in Leather</b>						
460	<b>Leather Sport Steering Wheel</b> 3-spoke sport steering wheel in smooth leather.			XPA	911 GT3 RS	\$0
XPA	<b>Thicker Steering Wheel-Leather</b> Sport steering wheel with thicker rim and smooth leather finish in interior color: thicker steering rim (2.2a) (with cross stitched seam), airbag module (2.2b), steering wheel hub cover (2.2g).			460	911 GT3 RS	\$0
<b>Custom Tailoring and Deviations - Leather</b>						
CDT	<b>Seat Belt Buckles Leather</b> Front and rear (5.8).				911 GT3 RS	\$760
CDU	<b>Belt Outlet B Pillar Leather</b> 1.3b			CDR CJJ	911 GT3 RS	\$220
CDZ	<b>Gear Lever Trim Leather</b> Gear lever trim (4.1b).			CDJ	911 GT3 RS	\$250
CNA	<b>Defroster Trim Leather</b> 2.4a			CDG EZB	911 GT3 RS	\$580
CNB	<b>Defroster Air Vents Leather</b> 2.4b				911 GT3 RS	\$390
CPT	<b>Storage Lid Bin W/Porsche Crst</b> 4.4c			CUV	911 GT3 RS	\$290
CPU	<b>Key Pouch Interior Color Lthr</b>				911 GT3 RS	\$95
CTG	<b>Inner Sill Finishers Leather</b>				911 GT3 RS	\$840



Option	Description	Must Pick	Required	Conflict	Model	Price (USD)
CUJ	<b>Fuse Box trim Leather</b> Fuse box cover (3.9).				911 GT3 RS	\$140
CUR	<b>PCM Package Leather</b>		P16	CUF CMF	911 GT3 RS	\$2,230
CUV	<b>Storage Cmpt Lid W/Model Logo</b>			CPT	911 GT3 RS	\$290
CVP	<b>Trim Strip Leather</b> 2.3			CDM CMM	911 GT3 RS	\$590
CVT	<b>Door and Rear Speakers Lthr</b> Smooth leather finish in interior color including decorative stitching where appropriate: door panel trim (3.4), loudspeaker finishers (mid-tone 3.8a), loudspeaker finishers (bass 3.8b). speaker grilles in soft touch paint interior color. Seat memory trim in black plastic.				911 GT3 RS	\$2,570
CVW	<b>Rear View Mirror Leather</b> Rear view mirror frame (1.2a), rear view mirror casing (1.2b and 1.2c).				911 GT3 RS	\$475
CZD	<b>Interior Light Cover Leather</b>				911 GT3 RS	\$430
DAA	<b>Interior Pkg A Pillar Leather</b> Leather finish in interior color including decorative stitching where appropriate: switch panel end trim (2.1b), ignition lock surround (2.7a), mirror attachment point finishers including mirror controls and base plate (3.0b).				911 GT3 RS	\$740

### Interior Options in Carbon

EZA	<b>Interior Package Carbon</b> Carbon finish: dashboard trim including trim cupholder, shift lever partial, top part handbrake. Alcantara covered: shift lever incl. gearshift pattern trim in volcano grey, handbrake grip incl. insertion in volcano grey with GT-3 logo in white.				911 GT3 RS	\$890
-----	---	--	--	--	------------	-------

Option	Description	Must Pick	Required	Conflict	Model	Price (USD)
EZB	<b>Carbon Package Switch Panel</b> Carbon Finish: Inlay in defroster trim, side air vents, central air vents, door opener trim. Smooth Leather Finish in Interior Color: side air vent slats, central air vent slats including switch trim, loudspeaker finisher on switch panel (center), defroster trim (partially).			CET CDG CDN CMG CMK CMN CNA	911 GT3 RS	\$2,900
X69	<b>Carbon Door Sill Mdl Insignia</b> Door entry guards in carbon with model logo (3.6).				911 GT3 RS	\$780
XMJ	<b>Rear Center Console - Carbon</b>			XME	911 GT3 RS	\$1,625

### Custom Tailoring and Deviations - Carbon

CJJ	<b>Belt Outlet B Pillar Carbon</b> 1.3b			CDR CDU CMR	911 GT3 RS	\$490
CXD	<b>Door Entry Grds Carbon Illumin</b> Door entry guards (right/left 3.6) in carbon with GT3 logo, illuminated in white.				911 GT3 RS	\$1,380

### Interior Options in Exterior Color

XME	<b>Rear Ctr Cons Painted Extr Clr</b> Paint finish in exterior color: rear section of center console including ashtray cover, storage tray rear section of center console. Smooth leather finish in interior color: Handbrake lever recess trim.			XMJ	911 GT3 RS	\$730
-----	---	--	--	-----	------------	-------

### Custom Tailoring and Deviations - Exterior Color

CDG	<b>Switch Pnl Pkg Painted Ext Clr</b> Side air vents (2.5a) central air vents including switch trim (2.6a). Leather finish interior color: defroster trim (2.4a), side air vent slats (2.5b), central air vent slats (2.6b).			CDN CNA	911 GT3 RS	\$1,990
CDJ	<b>Gear Lever Trim Exterior Color</b> Decorative trim on gear lever/ selector (4.2).			CDZ CMJ	911 GT3 RS	\$290
CDM	<b>Trim Strip Painted Ext Clr</b> 2.3			CMM CVP	911 GT3 RS	\$520

Option	Description	Must Pick	Required	Conflict	Model	Price (USD)
<b>CDN</b>	<b>Air Vent Slats Painted Ext Clr</b> Side air vent slats (2.5b), central air vent slats (2.6b), Leather finish interior color: side air vents (2.5a), central air vents including switch trim (2.6a).			CDG	911 GT3 RS	\$940
<b>CDP</b>	<b>Instr Surround Painted Ext Clr</b> Instrument surround (2.0d).				911 GT3 RS	\$440
<b>CDR</b>	<b>Belt Outlet B Pillar Ext Clr</b> 1.3b			CDU CJJ CMR	911 GT3 RS	\$180
<b>CET</b>	<b>Door Opener Trim Exterior Clr</b>			CMK	911 GT3 RS	\$780
<b>CGA</b>	<b>Headlight Cleaner Cvr Ext.Clr</b>		P74		911 GT3 RS	\$215
<b>CUC</b>	<b>Painted Model Desig Rear Lid</b> Painted in exterior color.				911 GT3 RS	\$130
<b>CUF</b>	<b>PCM Package Painted Ext. Color</b> Interior parts 4.0b, 4.0c, 4.0d, 4.0e painted in exterior color.		P16	CUR CMF	911 GT3 RS	\$2,230
<b>Custom Tailoring and Deviations - Black</b>						
<b>CMD</b>	<b>Rear Center Console Pntd.Black</b> Including ashtray cover (4.2) storage tray rear section of center console (4.4d).			XMJ XME A1	911 GT3 RS	\$1,130
<b>CMF</b>	<b>PCM Package Painted Black</b>		P16	A1 CUR CUF	911 GT3 RS	\$2,230
<b>CMG</b>	<b>Switch Panel Pkg.Painted Black</b> Side air vents (2.5a) central air vents including switch trim (2.6a). Leather finish interior color: defroster trim (2.4a), side air vent slats (2.5b), central air vent slats (2.6b).			A1 CDN CNA EZB	911 GT3 RS	\$1,990
<b>CMJ</b>	<b>Gear Lever/Selector Trim Black</b> Decorative trim on gear lever/ selector (4.2).			A1 CDJ CDZ	911 GT3 RS	\$290

Option	Description	Must Pick	Required	Conflict	Model	Price (USD)
CMK	<b>Door Opener Trim Painted Black</b> Door opener trim (3.2c).			CET EZB	911 GT3 RS	\$730
CMM	<b>Trim Strip Painted Black</b> (2.3)			A1 CDM CVP	911 GT3 RS	\$520
CMN	<b>Air Vent Slats Painted Black</b> Side air vent slats (2.5b), central air vent slats (2.6b), Leather finish interior color: side air vents(2.5a), central air vents including switch trim (2.6a).			A1 CDG CDN CMG EZB	911 GT3 RS	\$940
CMP	<b>Instrument Surround Pntd.Black</b> Instrument surround (2.0d).			A1	911 GT3 RS	\$440
CMR	<b>Belt Outlet B-Pillar Black</b>			A1 CDR CDU CFX CJJ	911 GT3 RS	\$180

### Custom Tailoring and Deviations - Other

24901	<b>Dashboard Stitching Dev. Color</b>	78			911 GT3 RS	\$240
24902	<b>Door Stitching in Dev. Color</b>	78			911 GT3 RS	\$160
24903	<b>Door Handle Stitching Dev.Clr.</b>	78			911 GT3 RS	\$470
24904	<b>Dev.Stitching Side Centr Cnsl</b>	78			911 GT3 RS	\$160
24905	<b>Rear Side Panel Dev.Stitching</b>	78			911 GT3 RS	\$310
24911	<b>Door Pull Handle Dev.Stitching</b>		28		911 GT3 RS	\$470
25851	<b>Seat Stitch Deviating Clr. GT3</b>				911 GT3 RS	\$940

Option	Description	Must Pick	Required	Conflict	Model	Price (USD)
--------	-------------	-----------	----------	----------	-------	-------------

### Additional Options

TD5	Tourist Delivery	900			911 GT3 RS	\$4,075
-----	------------------	-----	--	--	------------	---------