

# PORSCHE®

**911 GT3**

**US \$106,000**

Model Year 2007 Standard Equipment includes:

## **Engine**

415 hp, 299 lb ft torque - 3.6 liter horizontally opposed 6 cylinder, aluminum alloy engine block & cylinder heads, titanium connecting rods. Rear mounted engine. Dry sump lubrication system with external oil tank and oil cooler. 4 overhead camshafts, 4 valves per cylinder, "VarioCam" variable inlet valve timing. 2 stage resonance induction intake manifold. Cylinder specific knock control. Stainless steel exhaust system with 2 center tail pipes.

## **Power Transmission**

6-speed Manual Transmission with double inertia flywheel and transmission oil cooling. Limited slip differential with asymmetrical locking action – 28% on acceleration/40% on deceleration. Hydraulic clutch actuation.

## **Chassis and Suspension**

8.5"x19" pressure cast GT3 wheels, 235/35ZR19 sport tires - Front. 12"x19" pressure cast GT3 wheels, 305/30ZR19 sport tires - Rear. Includes anti-theft device. TPMS – Tire Pressure Monitoring System. Puncture sealing compound and electric compressor. Power assisted steering with variable ratio. McPherson strut suspension with stabilizer bar – front. Multi link LSA (Light, Stable, Agile) suspension with stabilizer bar – rear. PASM – Porsche Active Suspension Management including 30mm lowering. Traction Control with ASR (Anti Slip Regulation), ABD (Automatic Brake Differential) and EDTC (Engine Drag Torque Control).

## **Braking System**

13.8" vented and perforated rotors w/ 6 piston monobloc red calipers – front, 4 piston monobloc red calipers – rear. ABS 8.0 – Anti Lock Braking System, brake pad wear indicators, hand operated parking brake.

## **Body**

Two seat Coupe, body shell hot dip galvanized on both sides. Luggage compartment lid and doors in aluminum. Electric sliding roof with tip open/close. Front air dam with lower spoiler edge and additional air extractor vent in front of luggage compartment. Preparation for roof-rack system installation. Side windows with water repellent coating. Heat able rear window of thin glass. Rear engine cover with 2 REM pressure collectors and fixed double deck wing. Rear logotype in black color. Full underbody paneling. 16.9 gallon fuel tank.

## **Lighting System**

H7 Halogen headlights with welcome home function. Front and rear fog lamps. Uniform lighting concept in white for entire interior, continuously variable. Foot well lighting.

### **Electrical Equipment**

CDR24 AM/FM/CD radio, 2 x 25 watt with 4 loudspeakers. On board computer w/ digital continuous indication of total mileage, trip mileage, time, outside temp and speed. 5 dial type gauges with yellow pointers indicating RPM's, speed, oil pressure, oil temperature, coolant temp and fuel level, w/ titanium colored dials. Rev counter includes GT3 logo and shift-up indicator. Power windows with tip up/tip down and anti-jamming. Two speed wiper system with wiper delay control, heated washer nozzles. Remote central locking w/ luggage compartment release. Anti theft system including passenger compartment monitoring. Cruise control, weight reduced battery.

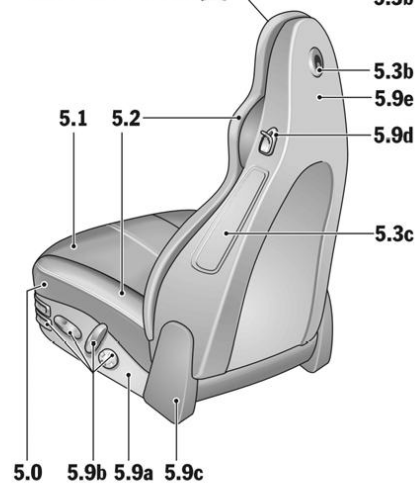
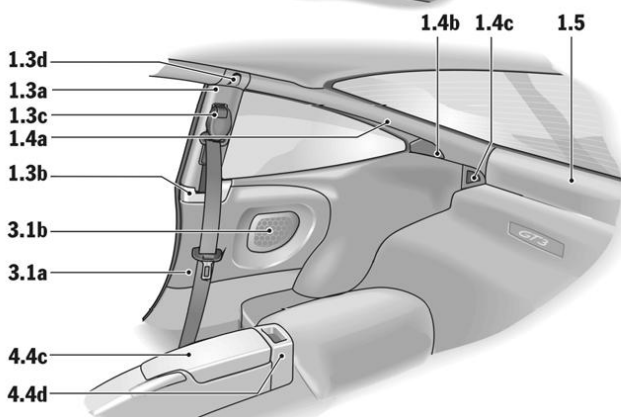
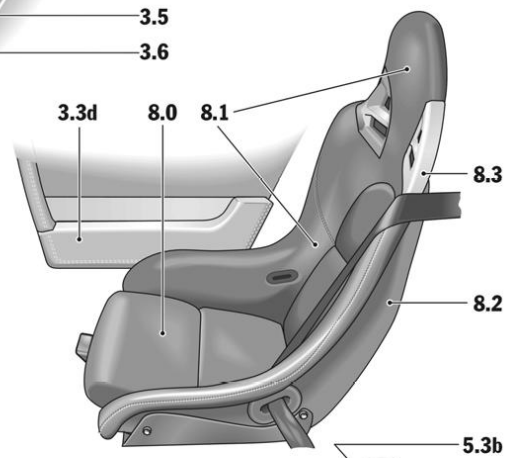
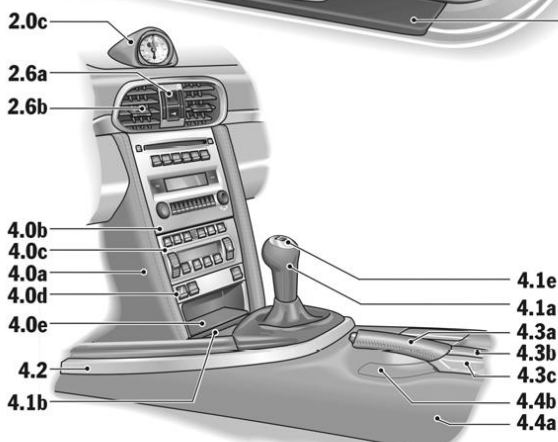
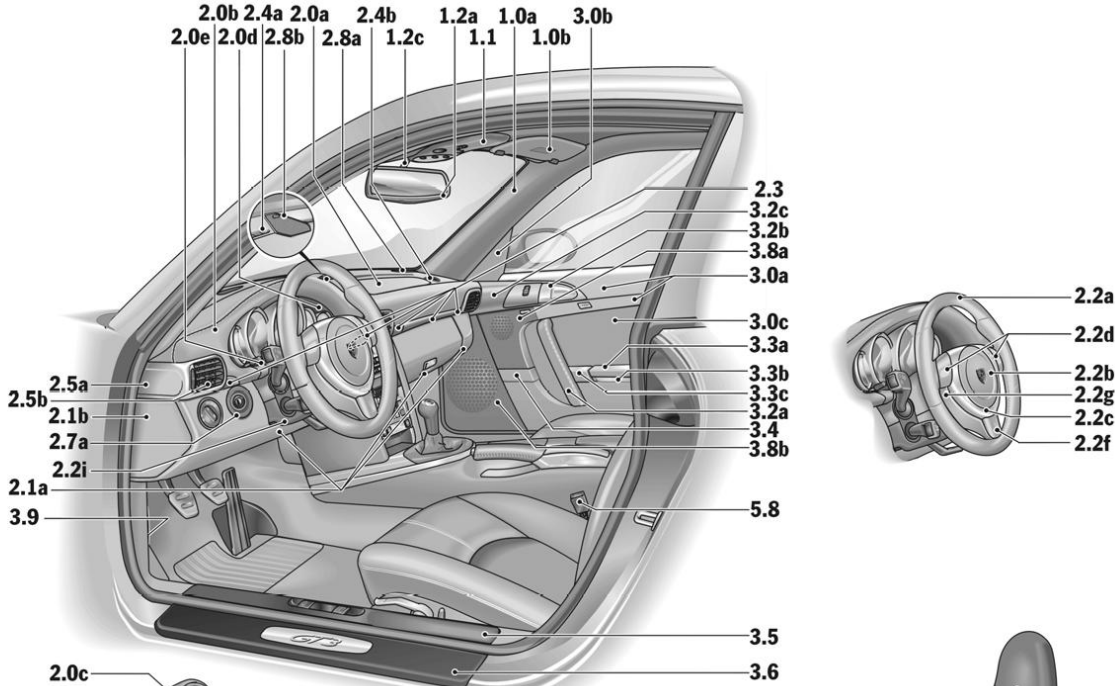
### **Passive Safety Equipment**

Fully galvanized high strength steel body w/ front & rear deformation zones. 3 point seat belts w/ pre-tensioners and force limiters. Seat belt height adjustment. 2 stage driver/passenger airbags. Porsche Side Impact Protection System (POSIP) consisting of side impact protection elements in each door, thorax side airbags integrated in seat backrests, head airbags located in door trim. Preparation for child seat anchorage (ISOFIX) on passenger side w/ switch for airbag deactivation.

### **Interior Equipment**

Driver and passenger sport seats with electrical backrest adjustment and manual horizontal and height adjustment. 3 spoke GT3 steering wheel w/ manual reach and height adjustment. Seat inlays, steering wheel rim, gear selector, hand brake grip trimmed in Alcantara. Interior trim in soft-paint in interior color. Various interior parts in Volcano gray. Roof liner in Alcantara. Automatic climate control with integrated carbon filter. Two cup holders in front. Door storage bins. Door entry guards with "GT3" logotype. Illuminated vanity mirror, driver and passenger.

Porsche Cars North America – United States Order Guide – 2007 Model Year  
Options, Prices, content, and availability are subject to change without notice.



# Order Guide

Option	Description	Must Pick	Required	Conflict	Model	Price (USD)
--------	-------------	-----------	----------	----------	-------	-------------

## Standard Paint

A1	Black				911 GT3	\$0
B4	Carrara White				911 GT3	\$0
G1	Guards Red				911 GT3	\$0
X4	Speed Yellow				911 GT3	\$0

## Optional Metallic Paint

56	Cobalt Blue Metallic				911 GT3	\$690
9Q	Meteor Grey Metallic				911 GT3	\$690
E7	Atlas Grey Metallic				911 GT3	\$690
E9	Midnight Blue Metallic				911 GT3	\$690
X1	Arctic Silver Metallic				911 GT3	\$690
Z4	Basalt Black Metallic				911 GT3	\$690

Option	Description	Must Pick	Required	Conflict	Model	Price (USD)
--------	-------------	-----------	----------	----------	-------	-------------

### Special Paint

53	Forest Green Metallic				911 GT3	\$3,070
59	Slate Grey Metallic				911 GT3	\$3,070
7G	Dark Olive Metallic				911 GT3	\$3,070
E4	Carmon Red Metallic				911 GT3	\$3,070
G4	Dark Teal Metallic				911 GT3	\$3,070
J2	Lapis Blue Metallic				911 GT3	\$3,070
U2	GT Silver Metallic				911 GT3	\$3,070

### Paint to Sample

98	Non-Metallic Paint to Sample		792 24931		911 GT3	\$4,315
99	Metallic Paint to Sample		792 24931		911 GT3	\$4,315

Option	Description	Must Pick	Required	Conflict	Model	Price (USD)
--------	-------------	-----------	----------	----------	-------	-------------

### Full Leather

<b>78</b>	<b>Black Full Leather</b> Carpeting in black. Roofliner in alcantara black. Additional leather trim in smooth leather: windshield pillar covering, windshield frame, center pillar covering, rear pillar covering, front part of dashboard incl. airbag cover, dashboard top part incl. instrument cluster cover, bottom part of dashboard incl. glove-box lid, door trim incl. head airbag cover, front and rear side covers steering wheel rim, shift lever, handbrake lever grip, door handles, door center panel, door storage bin and lid of center console in alcantara black. Sunvisors in leatherette black, interior trim in black soft paint. Backrest of sport seats painted black. 3-point seat belts in black. No rear seats. Upholstery: Black leather with seat inlays in alcantara black.				911 GT3	\$2,995
-----------	--	--	--	--	---------	---------

### Special Leather

<b>18</b>	<b>Natural Leather Dark Grey</b> Carpeting dark grey, roofliner, steering wheel rim, shift lever, handbrake lever grip, door handles, door center panel, door storage bin, and lid of center console in alcantara black. Sunvisors in leatherette black, interior trim in black soft paint. 3-point seat belts in black. No rear seats. Seat inlays in alcantara black.	998			911 GT3	\$4,505
<b>28</b>	<b>Black Leather Seats</b> Carpeting black, roofliner, steering wheel rim, shift lever and handbrake lever grip alcantara black. Interior trim in black softpaint. 3-point seat belts in black, no rear seats. Upholstery: leather is in black with seat inlays in alcantara black.				911 GT3	\$0
<b>998</b>	<b>Leather Interior Natural Lthr</b> Leather specially dyed to retain natural characteristics. Interior trim in black soft paint.	18			911 GT3	\$0

Option	Description	Must Pick	Required	Conflict	Model	Price (USD)
<b>Floormats</b>						
CFX	Floor Mats With Colored Trim				911 GT3	\$440
M6A	Black Mats - Porsche lettering				911 GT3	\$115
<b>Seats</b>						
342	Heated Front Seats Multi stage heated front seats				911 GT3	\$480
P01	Adaptive Sport Seats Sport seats with electric adjustment for all seat functions, adjustable side bolsters, without memory. Additional four-way lateral support adjustment. Leather in alcantara black.	28			911 GT3	\$2,295
XSC	Porsche Crest in Headrest				911 GT3	\$270
<b>Audio &amp; Communications</b>						
461	Rod Antenna				911 GT3	\$0
490	Sound Package Plus Including CD shelf and 9 speakers.				911 GT3	\$715
639	Sport Chrono Pkg W/Out PCM Includes analog timer system on the dashboard and digital timer in instrument dials.			P16 640	911 GT3	\$690
640	Sport Chrono Package Package includes analog and digital chronometer, sport button in the center console and display in the PCM, also adds ability to adjust lighting, wipers, AC and door locking to suit personal preference.		P16	639	911 GT3	\$690

Option	Description	Must Pick	Required	Conflict	Model	Price (USD)
666	<b>Module for Telephone PCM</b> Phone module for PCM allows users with a GSM phone to insert a SIM card and use the PCM as a hands-free telephone.		P16		911 GT3	\$960
P16	<b>Porsche Comm. Mgt. Sys. (PCM)</b> 5.8" screen with 12 button keypad. 2-tuner, top-radio with integrated CD-Rom/Audio drive, DVD-based GPS navigation module, on-board computer with simultaneous indicator of basic audio and navigation information.			639	911 GT3	\$3,070
<b>Technical</b>						
450	<b>Ceramic Composite Brakes-PCCB</b>			447	911 GT3	\$8,840
509	<b>Fire Extinguisher</b>				911 GT3	\$140
P12	<b>Self-Dim Mirrors &amp; Rain Sensor</b> Rain Sensor has 4 levels of sensitivity adjustment for automatic wiping frequency.				911 GT3	\$690
P74	<b>Bi-Xenon Headlamp Package</b>				911 GT3	\$1,090
<b>Wheels</b>						
446	<b>Wheel Caps with Colored Crest</b>			XD9	911 GT3	\$185
XD9	<b>Rims and Caps - Exterior Color</b>			446	911 GT3	\$1,290
<b>Interior Cosmetic</b>						
XFG	<b>Instrument Dials in Guards Red</b> with GT3 logo.				911 GT3	\$860



Option	Description	Must Pick	Required	Conflict	Model	Price (USD)
XSH	Seat Belts - Silver			XSX XSY	911 GT3	\$540
XSX	Seat Belts - Guards Red			XSH XSY	911 GT3	\$540
XSY	Seat Belts - Speed Yellow			XSH XSX	911 GT3	\$540
XXZ	Foot Rest Aluminum Driver's side foot rest in aluminum and rubber.				911 GT3	\$250

### Interior Options in Leather

460	Leather Sport Str Wheel 3-spoke sport steering wheel in smooth leather.			XPA	911 GT3	\$0
EAA	Leather Package Switch Panel Leather finish in interior color. Side air vents (2.5a), side air vent slats (2.5b), central air vents incl. switch trim (2.6a), central air vent slats (2.6b), loudspeaker finisher on switch panel (center; 2.8b), defroster trim (2.4a), trim strip switch panel incl. cupholder trim (2.3).			EZA EZB	911 GT3	\$2,050
XMZ	Rear Center Console - Leather			XME XMJ	911 GT3	\$1,260
XPA	3-Spoke Str Whl-Interior Lthr Thicker 3-spoke sports steering wheel in smooth leather.			460	911 GT3	\$0
XTV	Door Finishers in Leather Leather finish in interior color: door opener trim (3.2c).			EZB	911 GT3	\$360

### Custom Tailoring and Deviations - Leather

CDT	Seat Belt Buckles Leather				911 GT3	\$760
-----	---------------------------	--	--	--	---------	-------

Option	Description	Must Pick	Required	Conflict	Model	Price (USD)
CDU	Belt Outlet B Pillar Leather			CDR DAB	911 GT3	\$220
CDW	"Y" Trim Strng Wheel in Lthr.			460 XPA	911 GT3	\$561
CDZ	Gear Lever Trim Leather				911 GT3	\$251
CNA	Defroster Trim Leather			EAA CDG	911 GT3	\$580
CNB	Defroster Air Vents Leather			CNA	911 GT3	\$390
CPT	Storage Lid Bin W/Porsche Crst			CUV	911 GT3	\$290
CPU	Key Pouch Interior Color Leath				911 GT3	\$95
CTG	Inner Sill Finishers Leather				911 GT3	\$840
CUJ	Fuse Box trim Leather				911 GT3	\$140
CUR	PCM Package Leather				911 GT3	\$2,230
CUV	Storage Cmpt Lid W/Model Logo			CPT	911 GT3	\$290
CVP	Trim Strip Leather			CDM EAA	911 GT3	\$590

Option	Description	Must Pick	Required	Conflict	Model	Price (USD)
CVT	<b>Door and Rear Speakers Lthr</b> Smooth leather finish in interior color including decorative stitching where appropriate: door panel trim (3.4), loudspeaker finishers (mid-tone 3.8a), loudspeaker finishers (bass 3.8b). speaker grilles in soft touch paint interior color. Seat memory trim in black plastic.				911 GT3	\$2,570
CVW	<b>Rear View Mirror Leather</b>				911 GT3	\$475
CVY	<b>Clothes Hook Backrest Leather</b>			DAB	911 GT3	\$240
CZD	<b>Interior Light Cover Leather</b>				911 GT3	\$430
DAA	<b>Interior Pkg A Pillar Leather</b>				911 GT3	\$740
DAB	<b>Interior Pkg B Pillar Leather</b>			CVY CDU	911 GT3	\$955

### Interior Options in Carbon

EZA	<b>Interior Package Carbon</b> Carbon finish: dashboard trim including trim cupholder, shift lever partial, top part handbrake. Alcantara covered: shift lever incl. gearshift pattern trim in volcano grey, handbrake grip incl. insertion in volcano grey with GT-3 logo in white.			EAA	911 GT3	\$890
EZB	<b>Carbon Package Switch Panel</b> Carbon Finish: Inlay in defroster trim, side air vents, central air vents, door opener trim. Smooth Leather Finish in Interior Color: side air vent slats, central air vent slats including switch trim, loudspeaker finisher on switch panel (center), defroster trim (partially).			EAA XTV	911 GT3	\$2,900

Option	Description	Must Pick	Required	Conflict	Model	Price (USD)
X69	Carbon Door Sil Model Insignia with GT3 logo.				911 GT3	\$780
XMJ	Rear Center Console - Carbon			XME XMZ	911 GT3	\$1,625

### Custom Tailoring and Deviations - Carbon

CJJ	Belt Outlet B Pillar Carbon				911 GT3	\$490
CXD	Door Entry Grds Carbon Illumin				911 GT3	\$1,380

### Interior Options in Exterior Color

XME	Rear Ctr Cons Painted Extr Clr Paint finish in exterior color: rear section of center console including ashtray cover, storage tray rear section of center console. Smooth leather finish in interior color: Handbrake lever recess trim.			XMJ XMZ	911 GT3	\$730
-----	--	--	--	---------	---------	-------

### Custom Tailoring and Deviations - Exterior Color

CDG	Switch Pnl Pkg Painted Ext Clr			CDN CNA	911 GT3	\$1,990
CDJ	Gear Lever Trim Exterior Color				911 GT3	\$290
CDM	Trim Strip Painted Ext Clr			CVP	911 GT3	\$520
CDN	Air Vent Slats Painted Ext Clr			CDG	911 GT3	\$940
CDP	Instr Surround Painted Ext Clr				911 GT3	\$440

Option	Description	Must Pick	Required	Conflict	Model	Price (USD)
CDR	Belt Outlet B Pillar Ext Clr			CDU	911 GT3	\$180
CET	Door Opener Trim Exterior Clr			XTV CMK	911 GT3	\$780
CGA	Headlight Cleaner Cvr Ext.Clr		P74		911 GT3	\$215
CRX	Wheels Painted in Dev. Color			446 XD9	911 GT3	\$1,915
CUC	Painted Model Desig Rear Lid		498		911 GT3	\$260
CUF	PCM Package Painted Ext.Color				911 GT3	\$2,230

### Custom Tailoring and Deviations - Black

<b>CMD</b>	<b>Rear Center Console Pntd.Black</b> Including ashtray cover (4.2) storage tray rear section of center console (4.4d).			XMZ XMJ XME A1	911 GT3	\$1,130
<b>CMF</b>	<b>PCM Package Painted Black</b>		P16	A1	911 GT3	\$2,230
<b>CMG</b>	<b>Switch Panel Pkg.Painted Black</b> Side air vents (2.5a) central air vents including switch trim (2.6a). Leather finish interior color: defroster trim (2.4a), side air vent slats (2.5b), central air vent slats (2.6b).			EAA CMN A1	911 GT3	\$1,990
<b>CMH</b>	<b>Door Finishers Painted Black</b> Front of door handle (3.2a), door opener trim (3.2c).			XTV A1	911 GT3	\$830
<b>CMJ</b>	<b>Gear Lever/Selector Trim Black</b> Decorative trim on gear lever/ selector (4.2).			A1	911 GT3	\$290

Option	Description	Must Pick	Required	Conflict	Model	Price (USD)
CMK	<b>Door Opener Trim Painted Black</b> Door opener trim (3.2c).				911 GT3	\$730
CMM	<b>Trim Strip Painted Black</b> (2.3)				911 GT3	\$520
CMN	<b>Air Vent Slats Painted Black</b> Side air vent slats (2.5b), central air vent slats (2.6b), Leather finish interior color: side air vents(2.5a), central air vents including switch trim (2.6a).				911 GT3	\$940
CMP	<b>Instrument Surround Pntd.Black</b> Instrument surround (2.0d).				911 GT3	\$440
CMR	<b>Belt Outlet B-Pillar Black</b>				911 GT3	\$180

### Custom Tailoring and Deviations - Other

00471	<b>Back Of Rear Seats Dev. Carpet</b>		25241		911 GT3	\$0
09991	<b>All Excl.Opt Stitch Dev Color</b>				911 GT3	\$290
24901	<b>Dashboard Stitching Dev. Color</b>				911 GT3	\$240
24902	<b>Door Stitching in Dev. Color</b>				911 GT3	\$160
24903	<b>Door Handle Stitching Dev.Clr.</b>				911 GT3	\$470
24904	<b>Dev.Stitching Side Centr Cnsl</b>				911 GT3	\$160

Option	Description	Must Pick	Required	Conflict	Model	Price (USD)
24905	Rear Side Panel Dev.Stitching				911 GT3	\$310
24921	Upper Dash Deviating Color			640 25731	911 GT3	\$470
24922	Lower Dash in Deviating Color				911 GT3	\$310
24931	Exterior Color to Sample				911 GT3	\$0
24941	Leather to Sample				911 GT3	\$0
25221	Roofliner Dev. Color Alcantara				911 GT3	\$310
25231	Frnt Seat Inlay Alcant Dev.Clr			25491	911 GT3	\$550
25241	F/R Seats in Leather Dev Color		00471		911 GT3	\$1,500
25491	F/R Seat Inlays In Dev. Color				911 GT3	\$940
25731	Upper Dash w/Spt. Chr Dev. Clr		640	24921	911 GT3	\$550
25851	Seat Stitch Deviating Clr. GT3				911 GT3	\$940
CME	Rear Center Console Painted				911 GT3	\$1,130

Option	Description	Must Pick	Required	Conflict	Model	Price (USD)
CNE	Spoiler Lip Painted				911 GT3	\$590

### Exterior Cosmetic

498	Delete Model Designation				911 GT3	\$0
-----	--------------------------	--	--	--	---------	-----

### Additional Options

TD5	Tourist Delivery		900		911 GT3	\$4,075
-----	------------------	--	-----	--	---------	---------