

The present document was valid at the time of print. A later version may be available online

WM 263319 Removing and installing rear silencer - GT3

Technical values

Location	Description	Type	Basic value	Tolerance 1	Tolerance 2
Connecting flange between front and rear silencers	M8 lock nuts, replace	Tightening torque	23 Nm (17 ftlb.)		
Restraining strap for rear silencer	Cheese head bolt, M8	Tightening torque	23 Nm (17 ftlb.)		

Preliminary work

Preliminary work

1. Remove air cleaner housing.
→ *242519 Removing and installing air cleaner housing.*
2. Remove rear apron.
→ *635519 Removing and installing rear apron.*
3. Remove bumper and side heat protection.
→ *635019 Removing and installing rear bumper.*



Caution

Hot components

- Risk of burns

- Let hot components cool down.
- Wear personal protective gear.



Information

- Spray screw connections, clamps and sliding bases with anti-rust agent before loosening them.
- If screw connections and sliding bases are corroded badly, heat them before removal.

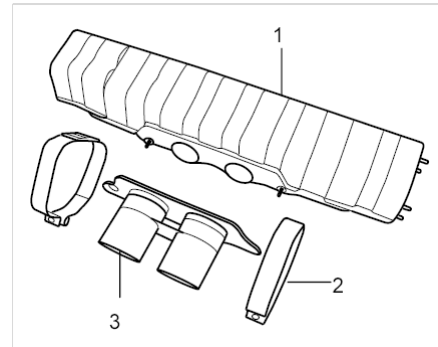
4. Remove one front silencer (on any cylinder bank).
→ *262519 Removing and installing front silencer.*

Removing rear silencer

Removing rear silencer

Overview of rear silencer components:

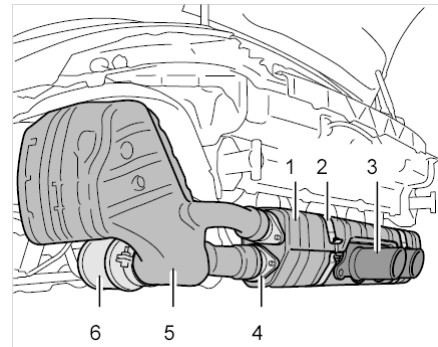
- 1 - Rear silencer
- 2 - Retaining strap
- 3 - Tailpipe cover



Rear silencer components

Installation position:

- 1 - Rear silencer
- 2 - Restraining strap
- 3 - Tailpipe cover
- 4 - Connecting flange for front silencer
- 5 - Front silencer
- 6 - Exhaust manifold with catalytic converter



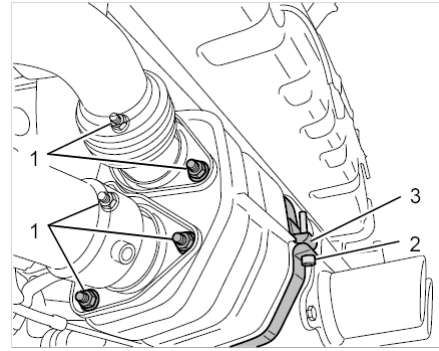
Installation position of front/rear silencer



Information

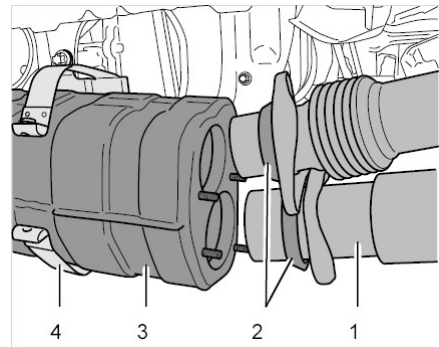
- Spray screw connections, clamps and sliding bases with anti-rust agent before loosening them.
- If screw connections and sliding bases are corroded badly, heat them before removal.

1. Loosen threaded joint for second front silencer at the rear silencer.
 - 1.1. Unscrew five M8 lock nuts -1- . Replace lock nuts.
 - 1.2. Open restraining straps -3- on the rear silencer. Unscrew cheese head bolts.



Threaded joint between front silencer and rear silencer (view from the left)

2. Remove rear silencer **-3-** .
 - 2.1. Disengage restraining straps **-4-** at the engine carrier bracket.
 - 2.2. Pull rear silencer out of the connecting flanges for the second front silencer and set it aside.
 - 2.3. Replace sealing rings on the sliding base **-2-** for the front silencer **-1-** .



Connection point between front silencer and rear silencer (view from the right)

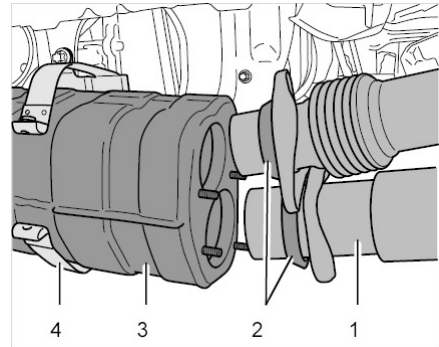
3. Clean joint flanges and replace badly corroded screws.

Installing rear silencer

Installing rear silencer

1. Grease sliding bases and screw thread lightly with Optimoly HT high-temperature grease (Part No. 999.917.728.00).
2. Install rear silencer **-3-** .
 - 2.1. Slide the rear silencer into the connecting flanges for the second front silencer **-1-** .

- 2.2. Position restraining straps **-4-** at the engine carrier bracket and tighten the cheese head bolts slightly.



Connection point between front silencer and rear silencer

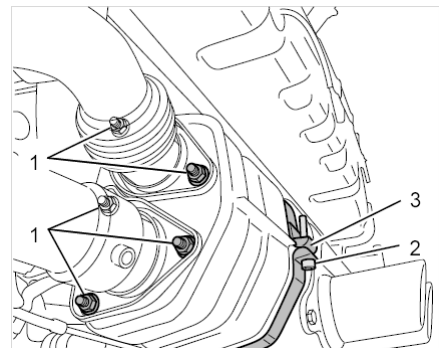
3. Secure rear silencer.

- 3.1. Fit and tighten new M8 lock nuts **-1-** at the connecting flanges.

→ **Tightening torque: 23 Nm (17 ftlb.)**

- 3.2. Tighten restraining straps **-3-** .

→ **Tightening torque: 23 Nm (17 ftlb.)**



Threaded joint between front and rear silencer

Subsequent work

Subsequent work

1. Install front silencer.

→ *262519 Removing and installing front silencer.*

2. Install side heat protection and bumper.

→ *635019 Removing and installing rear bumper.*

3. Install the rear apron.

→ *635519 Removing and installing rear apron.*

4. Install air cleaner housing.

→ *242519 Removing and installing air cleaner housing.*

997810, 997811, 997850, 997851

Model year as of 2007, Model year up to 2011

C00, C02, C05, C07, C08, C09, C10, C11, C12, C13, C14, C15, C16, C18, C19, C20, C21, C22, C23, C24, C25, C26, C27, C28, C32, C33, C34, C35, C36, C37, C38, C39, C45, C46, C98, C99