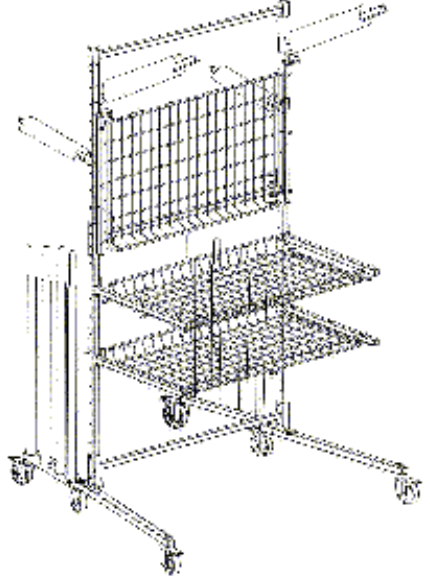
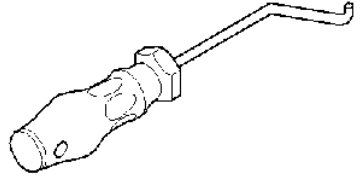


The present document was valid at the time of print. A later version may be available online

WM 631519 Removing and installing front apron

Tools

Designation	Type	Number	Description	
storage system VAS 6760	Workshop equipment	WE 1473		
assembly tool	VW tool	T10118		57  T10118

Technical values

Location	Description	Type	Basic value	Tolerance 1	Tolerance 2
Fastening screw securing front apron to body			2.8 Nm (2 ftlb.)		
Fastening screw securing front apron to body			2.8 Nm (2 ftlb.)		
Fastening screw securing front apron to body		Tightening torque	2.8 Nm (2 ftlb.)		

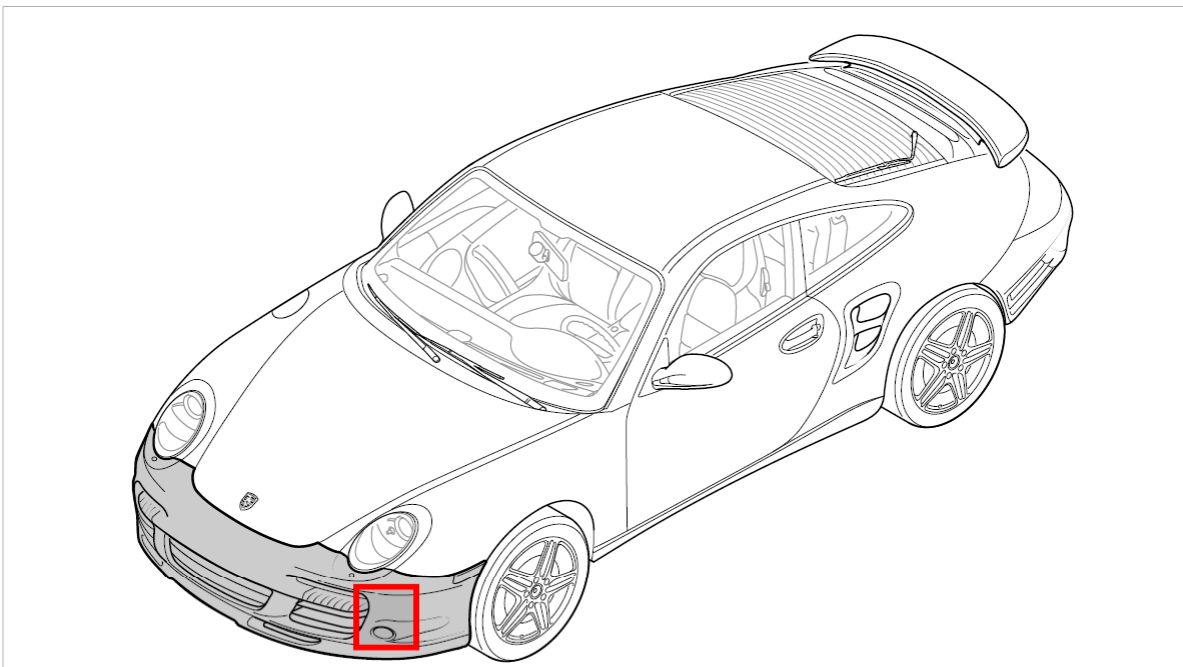
Preliminary work

Preliminary work

1. Remove cover for front lock support. → *70391900 Removing and installing cover for front lock support - section on "Removing"*
2. Remove front part of front wheel housing liner at the left and right. → *505619 Removing and installing front wheel housing liner - section on "Removing"*

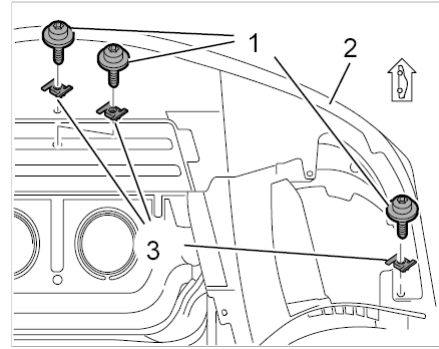
Removing front apron

Undoing front apron underneath



Main illustration, removing and installing front apron

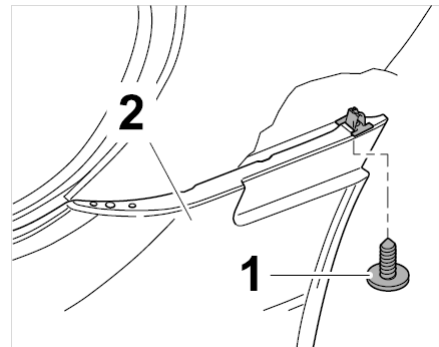
1. Unscrew fastening screws **-1-** underneath the front apron **-2-** .



Undoing front apron underneath

Loosening front apron at the sides

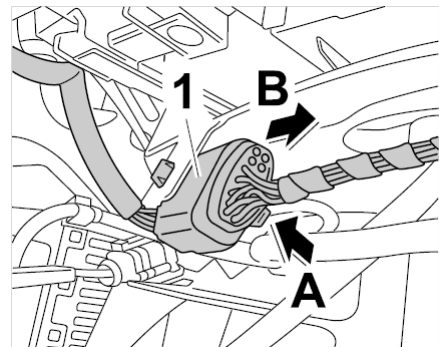
1. Unscrew fastening screws **-1-** at the sides of the front apron **-2-** .



Loosening front apron at the sides

Disconnecting front apron plug connection

1. Release front apron plug connection **-1-** in the right wheel housing area **-arrow A-** and disconnect it in **-direction of arrow B-** .



Disconnecting front apron plug connection

Disconnecting hose for headlight cleaning system



Information

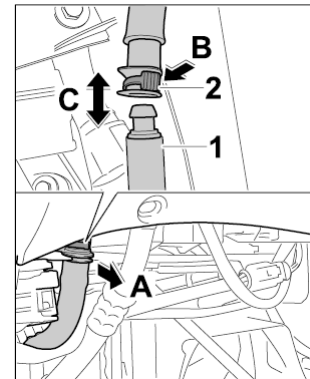
- Only for vehicles with headlight cleaning system.



Information

- A tight hose can be pulled off more easily if it is heated with a hot-air gun!
- Collect windscreen washer system fluid with a suitable container.

1. Pull hose **-1-** out of the body in the left wheel housing area **-arrow A-** .

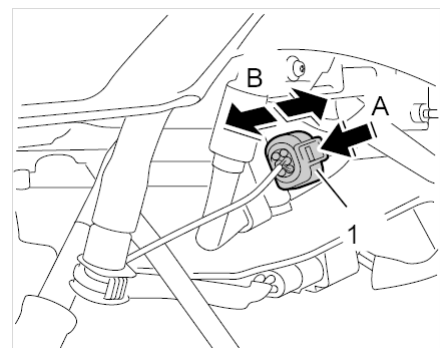


Disconnecting hose

2. Release the hose **-1-** by pressing in the lock **-2-** (**-arrow B-**) and disconnect it **-arrow C-** .

Disconnecting plug connection for direction indicator light

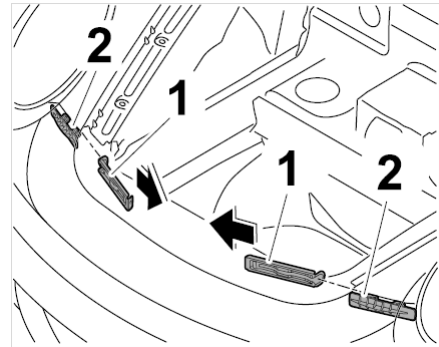
1. Release plug connection for direction indicator light **-1-** in the left wheel housing area **-arrow A-** and disconnect it **-arrows B-** .



Disconnecting plug connection for direction indicator light

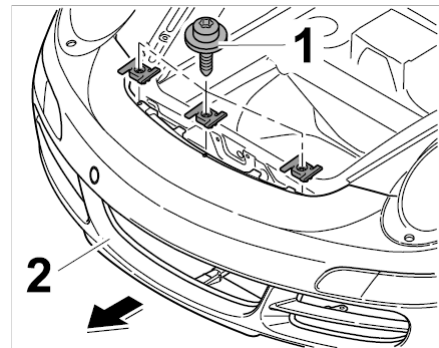
Loosening front apron at the top

1. Secure locking mechanisms **-1-** with **assembly tool T10118** at the guides **-2-** on the front apron in **-arrowrichtung-** .



Loosening front apron at the top

2. Unscrew fastening screws **-1-** at the top of the front apron **-2-** .



Loosening front apron at the top

3. Remove front apron **-2-** by pulling it towards the front **-arrow-** .

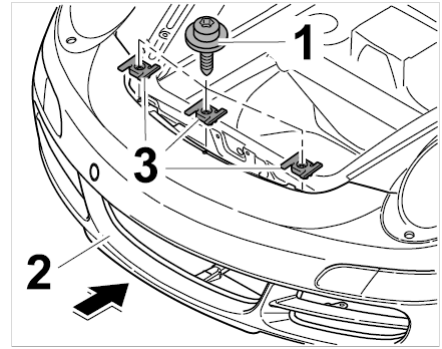
Installing front apron

Securing front apron at the top



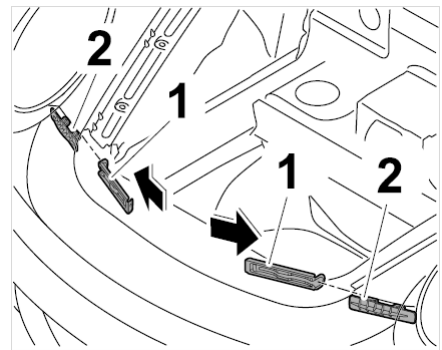
Information

- *Ensure water and electrical lines are laid properly.*
1. Check retaining strip for front apron and replace it if necessary. → 631719 Removing and installing front retaining strip - section on "Installing"
 2. Check speed nuts **-3-** and replace them if necessary.
 3. Position the front apron **-2-** on the body at the front.



Securing front apron at the top

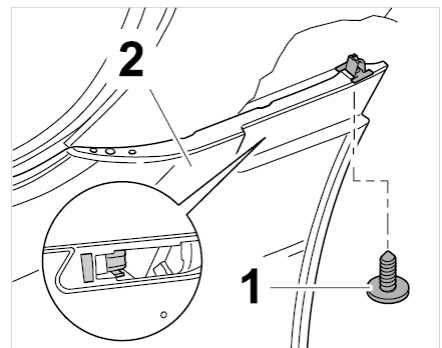
4. Secure front apron **-2-** at the top using the fastening screws **-1-** . → : **2.8 Nm (2 ftlb.)**
5. Insert locking mechanisms **-1-** at the guides **-2-** of the front apron and lock in **-direction of arrow-** using a plastic wedge.



Securing front apron at the top

Securing front apron at the sides

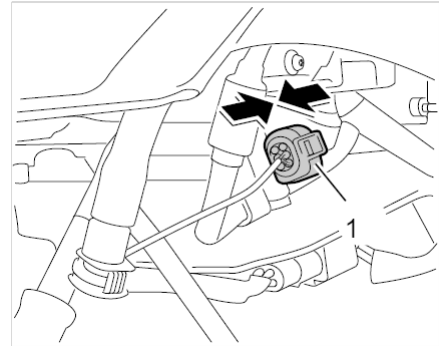
1. Tighten fastening screws **-1-** at the sides of the front apron **-2-** . → : **2.8 Nm (2 ftlb.)**



Securing front apron at the sides

Locking plug connection for direction indicator light

1. Connect plug connection for direction indicator light **-1-** in the left wheel housing area **-arrows-** until it engages securely.



Locking plug connection for direction indicator light

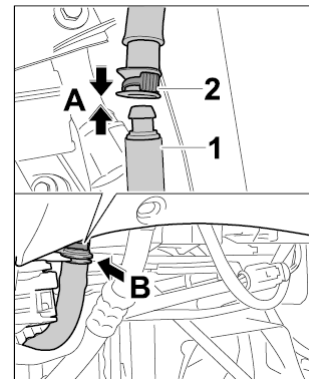
Locking hose for headlight cleaning system



Information

- Only for vehicles with headlight cleaning system.

1. Connect the hose **-1-** (**-arrows A-**) until the lock **-2-** engages securely.

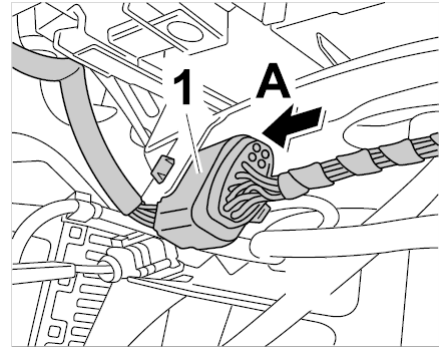


Locking hose for headlight cleaning system

2. Press hose **-1-** into the body in the left wheel housing area **-arrow B-** .

Locking front apron plug connection

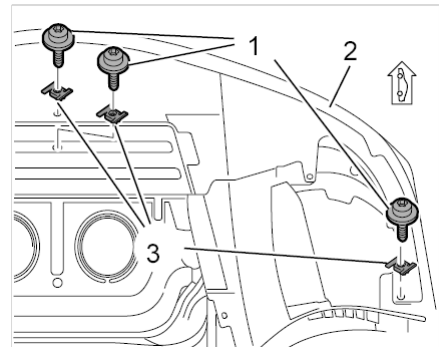
1. Connect the front apron plug connection **-1-** in the right wheel housing area **-arrow A-** until it engages securely.



Locking front apron plug connection

Securing front apron underneath

1. Secure front apron **-2-** underneath using the fastening screws **-1-** . → **Tightening torque: 2.8 Nm (2 ftlb.)**



Securing front apron underneath

2. Check gap dimensions at the front lid, wing and main headlights. Loosen fastening screws if necessary and adjust gap dimensions by moving the front apron. → *5 Diagram - body gap dimensions*

Subsequent work

Subsequent work

1. Place front apron in **storage system VAS 6760 WE 1473**.
2. Install front part of front wheel housing liner at the left and right. → *505619 Removing and installing front wheel housing liner - section on "Installing"*
3. Install cover for front lock support. → *70391900 Removing and installing cover for front lock support - section on "Installing"*

997420, 997421, 997450, 997451, 997630, 997631, 997650, 997651

Model year as of 2007

C00, C02, C05, C06, C07, C08, C09, C10, C11, C12, C13, C14, C15, C16, C17, C18, C19, C20, C21, C22, C23, C24, C25, C26, C27, C28, C32, C33, C34, C35, C36, C37, C38, C39, C41, C45, C45, C46, C96, C97, C98, C99