

66 36 19 Removing and installing roof joint strip - as of MY 2005

- Removing roof joint strip
- Disassembling roof joint cover strip
- Assembling roof joint cover strip
- Installing roof joint strip

Tools

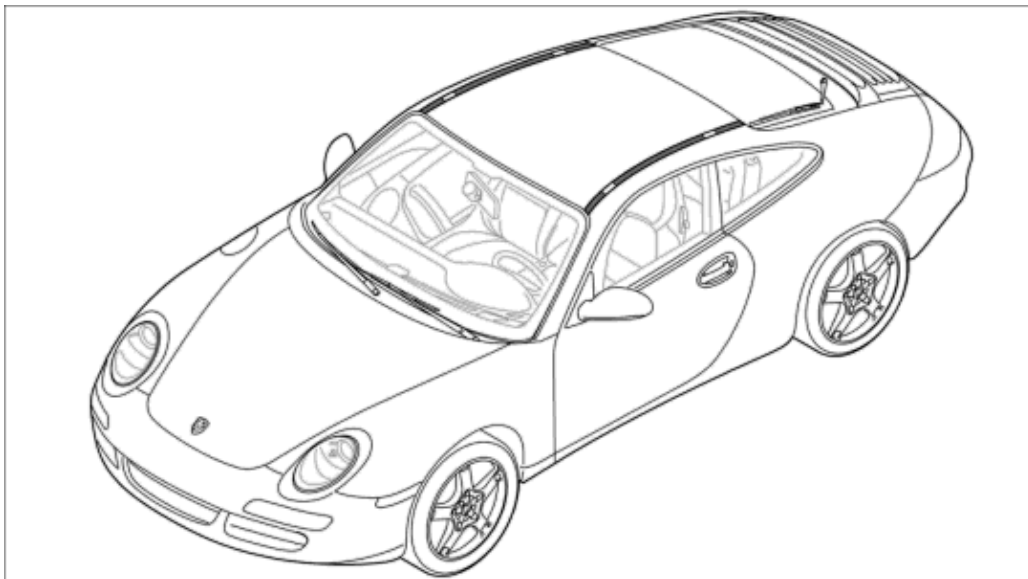
Designation	Type	Number	Explanation	
Loctite 241	workshop equipment			

[top of page](#)

Removing roof joint strip

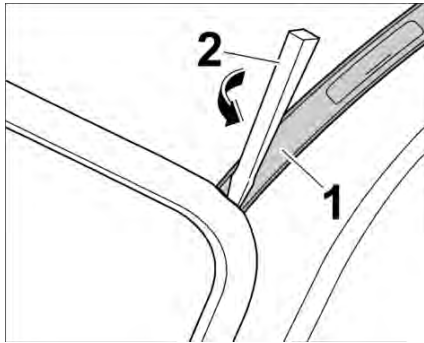
Removing roof joint cover strip

Installation Location:



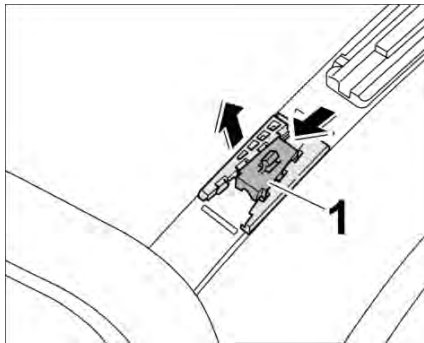
Installation position of roof joint cover strip





Removing roof joint cover strip

1. Lift roof joint cover strip **-1-** using a plastic spatula **-2-** and unclip all the way along.



Detaching spreader

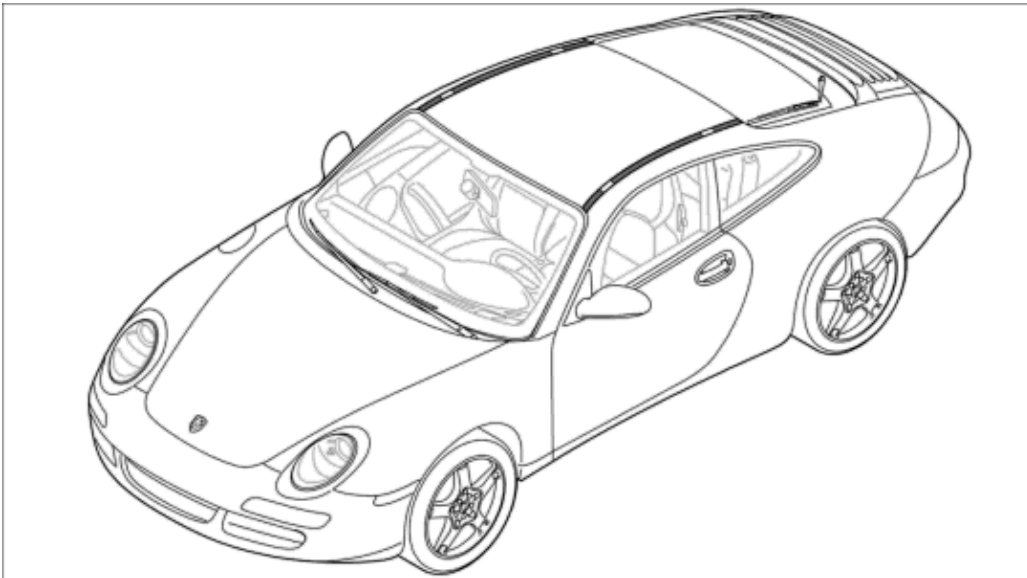
2. Move wedge piece of spreader **-1-** with a plastic wedge. Remove spreader.

[top of page](#)

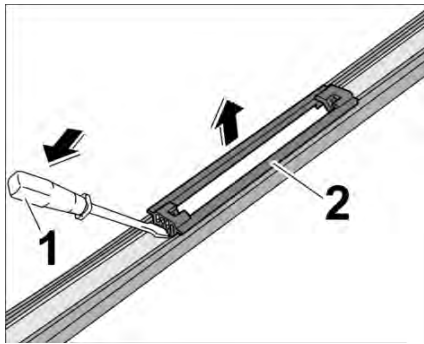
Disassembling roof joint cover strip

Disassembling roof joint cover strip

Installation Location:

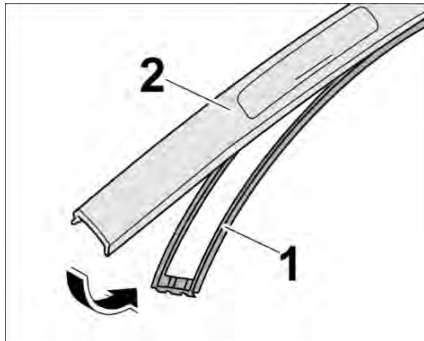


Installation position of roof joint cover strip



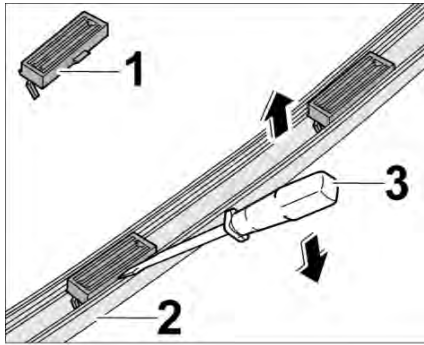
Removing fold-out element

1. Insert a screwdriver **-1-** beneath both ends of the fold-out element **-2-** and press out.



Pulling off roof joint seal

2. Pull roof frame seal **-1-** from the roof joint cover strip **-2-**



Removing roof joint clips

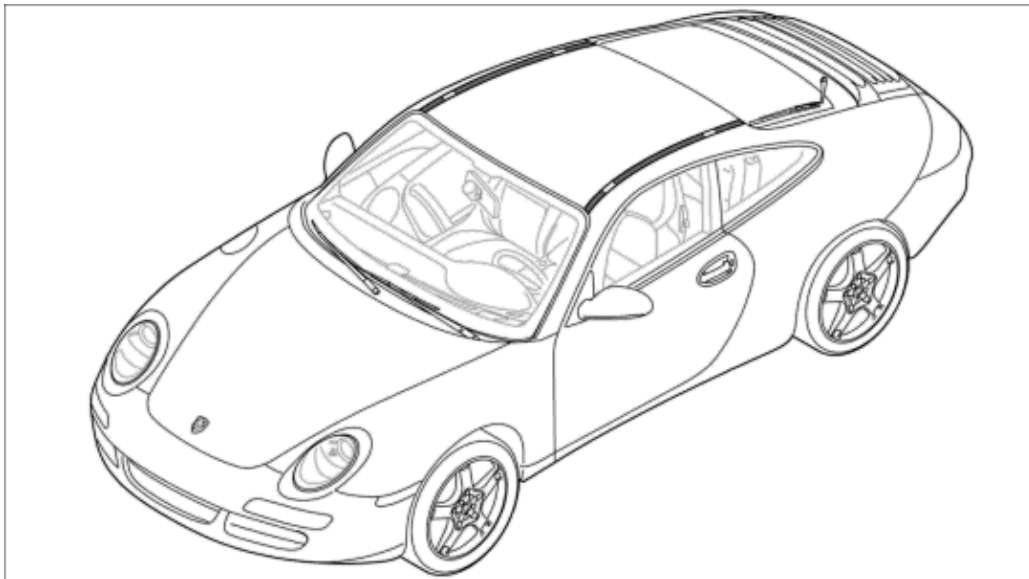
3. Between the roof joint clip **-1-** and the roof joint cover strip **-2-** insert a narrow screwdriver **-3-** and press outwards until the roof joint clip disengages.

[top of page](#)

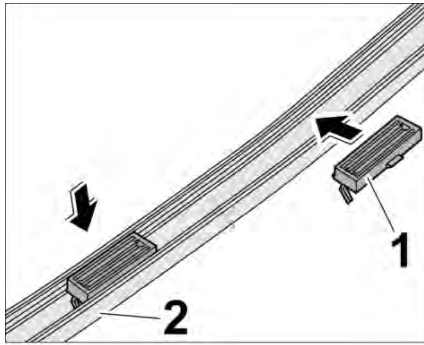
Assembling roof joint cover strip

Assembling roof joint cover strip

Installation Location:

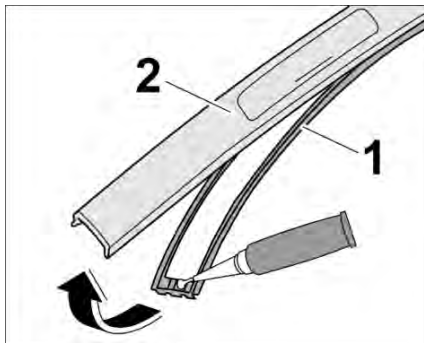


Installation position of roof joint cover strip



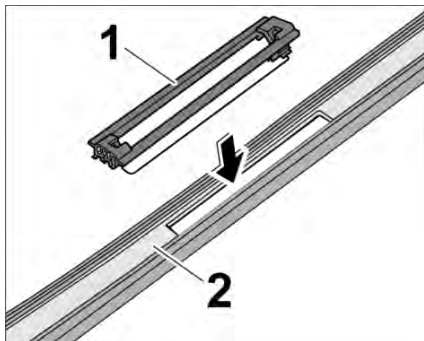
Fitting roof joint clips

1. Insert roof joint clips **-1-** narrow side first, and press in until the locking tab in the roof joint cover strip **-2-** engages.



Fitting roof joint seal

2. Push the roof joint seal **-1-** onto the roof joint strip **-2-** all the way round.
3. Stick in the roof frame seal **-1-** at the ends of the roof joint cover strip **-2-** using **Loctite 241**.



Fitting fold-out element

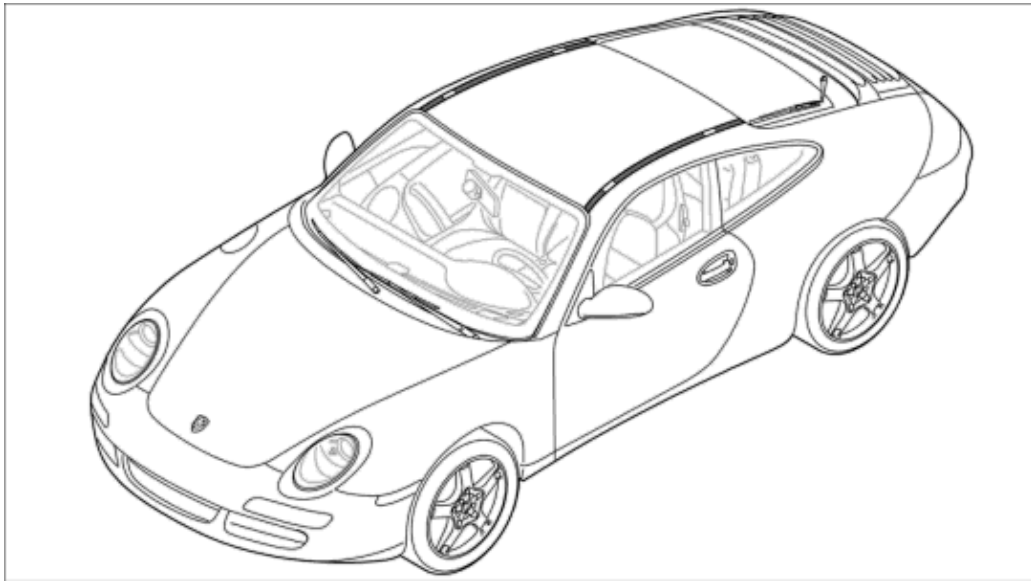
4. Position the fold-out element **-1-** in the cut-out of the roof joint strip **-2-**, and press in the locking tabs at the ends until they engage.

[top of page](#)

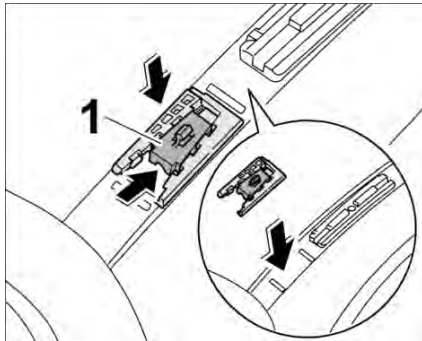
Installing roof joint strip

Installing roof joint cover strip

Installation Location:

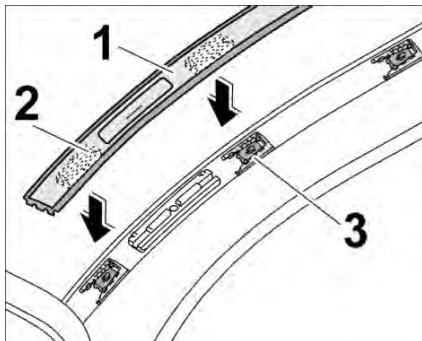


Installation position of roof joint cover strip



Fitting spreader

1. Position spreaders **-1-** (5 per roof channel) in the recesses, beginning at the front. Press the spreader right down into the roof channel.
2. Push wedge piece into the spreader **-1-** until the spreader is braced in the roof channel.



Installing roof joint cover strip

- 3.

Diagnostic system: reading out fault memory and activating systems

Position the roof joint strip **-1-** on the roof channel, and align the roof joint clips **-2-** in the roof joint cover strip with the spreaders **-3-** so that they lie directly above one another.

4. Press in roof joint cover strip **-1-** until it audibly engages.

997110, 997111, 997120, 997121, 997410, 997411, 997430, 997431

as of MY 2005

Country C00, C02, C05, C07, C08, C09, C10, C11, C12, C13, C14, C15, C16, C18, C19, C20, C21, C22, C23, C24, C25, C26, C27, C28, C32, C33, C34, C35, C36, C37, C38, C39, C45, C46, C98, C99



WARNUNG

Gefahr des Verlusts der Text-Bild-Zuordnung beim Ausdruck.

- **Aus technischen Gründen kann derzeit nicht ausgeschlossen werden, dass trotz einwandfreier Darstellung auf dem Bildschirm beim Ausdruck der Zusammenhang von Text und zugehörigem Bild verloren geht.**
- **Wird der Fehler nicht bemerkt, besteht die Gefahr, daß Arbeiten nicht korrekt durchgeführt werden und es dadurch zu Personen- und Sachschäden kommt.**

Vergleichen Sie deshalb nach dem Druckvorgang unbedingt die Ausdrücke mit der Bildschirmdarstellung. Korrigieren Sie die Ausdrücke im Fehlerfall so, daß der Inhalt der Bildschirmdarstellung zutreffend wiedergegeben wird.



WARNING

Danger of losing text-figure correspondence when printing out.

- **For technical reasons, it can currently not be ruled out that the correspondence between text and associated figure can be lost when it is printed out, even though the display on the screen is correct.**
- **If the fault is not noticed, there is the danger that work will not be performed correctly which can cause injury and damage.**

Therefore, always compare printouts with the screen display after printing them out. Correct the printouts if they are faulty so that the content of the screen display matches that on the printouts.



AVERTISSEMENT

Risque de perte de la correspondance texte-illustration lors de l'impression papier.

- **Pour des raisons techniques, il ne peut pas être exclu à l'heure actuelle que, même en cas d'affichage correct à l'écran, la correspondance entre le texte et l'illustration puisse être erronée sur l'impression papier.**
- **Si l'erreur passe inaperçue, on court le risque d'exécuter certaines opérations de manière incorrecte pouvant conduire à des dommages corporels et matériels.**

Diagnostic system: reading out fault memory and activating systems

Comparez impérativement pour cette raison les impressions papier avec l'affichage à l'écran. Corrigez-les en cas d'erreur de manière à reproduire correctement l'affichage à l'écran.



ATTENZIONE

Pericolo di perdita dell'abbinamento testo-immagine nella stampa.

- **Per motivi tecnici non è escluso che, nonostante la rappresentazione sullo schermo risulti perfetta, durante la stampa venga persa la corrispondenza fra testo e relativa immagine.**
- **Se tale difetto non viene rilevato vi è il pericolo che i lavori non siano eseguiti correttamente; ciò può avere come conseguenza lesioni e danneggiamenti.**

Per questo motivo, dopo la stampa è assolutamente necessario confrontare le stampe con la rappresentazione sullo schermo. In caso di errore si prega di correggere le stampe, così da garantire la riproduzione esatta della rappresentazione sullo schermo.



ADVERTENCIA

Al imprimir se corre el riesgo de perder la correcta asignación de las figuras al texto.

- **Por motivos técnicos, por el momento no se puede descartar que, aun siendo correcta la imagen que aparezca en la pantalla, al imprimir se pierda la correlación entre el texto y la figura correspondiente.**
- **Si este error pasara desapercibido, existe el riesgo de que los trabajos no se ejecuten de forma correcta y, por tanto, se produzcan daños personales y materiales.**

Por ello le rogamos que tras el proceso de impresión compare siempre las copias impresas con la imagen de la pantalla. En caso de error, corrija las copias impresas de forma que se correspondan con el contenido de la imagen de la pantalla.