

PORSCHE

PET

PORSCHE

Model	Year	MG	SG	Illustration	Restrictions	UPD	9:38	14.01.2013
TEQ	1985	8	08	808-11		308		

Pos	Part Number	Description	Remark	Qty	Model
		child car seat preparation	05- 06- 05-		Boxster(987) Cayman 911(997)
		Inst. & Conv. Instructions Boxster/911/Cayman main group 6 6929 attention			↑
-	997 044 800 13	child car seat preparation	217,72	1	/LL
-	997 044 800 15	child car seat preparation	your cost	1	/LL
		when required order also:			
-	997 552 901 00	cover airbag switch-off		1	/RL
	5V7	stone grey			
	5Y2	palmgreen			
	5Z1	Sand Beige			
	8P9	cocoa			
	8W7	sea blue			
	8XX	terracotta			
	T13	brown/natural			
	N23	carrera red			
-	997 552 902 00	cover airbag switch-off		1	/LL
	5V7	stone grey			

Child Seat Preparation For Passenger's Seat

Vehicle Type: **Cayman (987)/Cayman S (987)**



Information

This Technical Information replaces Technical Information Group 6, #1/05, dated December 13, 2005.

Model Year: **As of 2006**

Concern: **Retrofitting**

Information: Child car seat preparation for the front passenger's seat encompasses the ISOFIX retaining bow (in the USA, Mexico and Canada: lower anchorage point) for assembly between seat surface and backrest as well as a key-operated switch for airbag deactivation.

Deactivate airbag by changing the position of the airbag OFF switch (front side of the dashboard on the passenger's side) to the position OFF with the vehicle key. When the child seat is properly installed and secured with the safety belt fastened, the PASSENGER AIRBAG OFF (PAO) indicator lamp is illuminated in the center console when the ignition is switched on.

A child car seat may be used on the front passenger's seat only if:

- the passenger's airbag is deactivated (airbag off switch set to OFF) and
- the PAO indicator lamp lights up when the ignition is switched on.

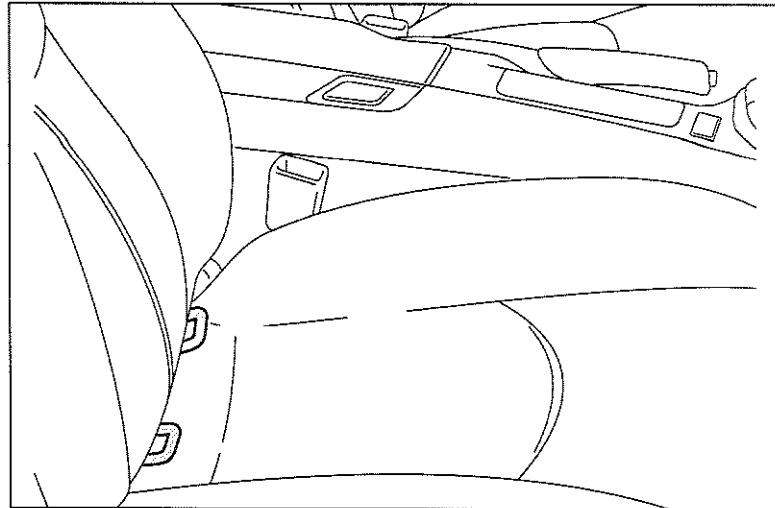
And for USA/Canada/Mexico, if:

- weight sensing is active (airbag off switch set to AUTO) and
- the PAO indicator lamp comes on when the ignition is switched on with a child car seat and child on the passenger's seat.

With the child seat properly installed, if the PAO indicator lamp does not light up when the ignition is on and after the airbag off switch is switched OFF, a child car seat must not be used on the passenger's seat. In this case, the system must be checked by an authorized Porsche dealer.

Further important information regarding the airbag system and child seats are contained in the Owner's Manual and the Porsche child seat instructions.

Please inform your customers accordingly.



Parts Info:

997.044.800.13

⇒ Child car seat preparation/passenger's seat

997.044.800.15

⇒ Child car seat preparation/passenger's seat (USA)

Parts List:

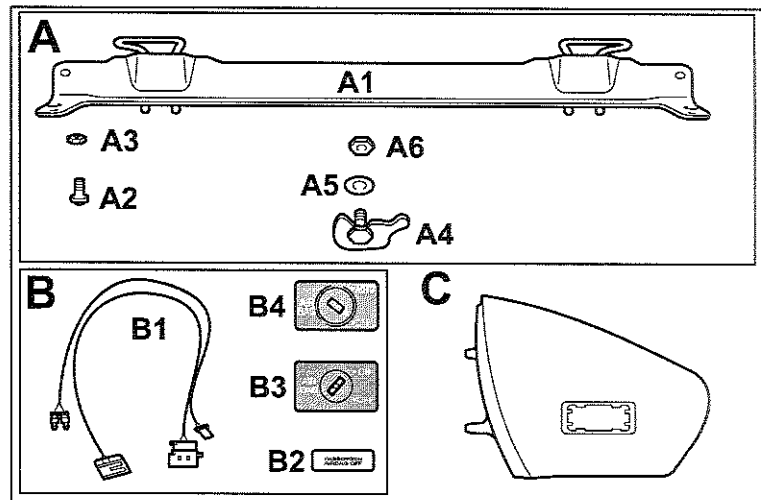


Figure 2

997.521.261.01

1 x ⇒ Cross member ⇒ Figure 2 -A1-

4 x Oval-head screw, M5 x 16 - 10.9 - ISO 7380 ⇒ Figure 2 -A2-

4 x M5 hexagon nut, self-locking - ISO 7042 ⇒ Figure 2 -A3-

1 x Stop segment ⇒ Figure 2 -A4-

-----	1 x	Washer – DIN 34816 – 5 – PA6.6 – nt ⇒ <i>Figure 2 -A5-</i>
-----	1 x	M5 hexagon nut, low type – ISO 4035 ⇒ <i>Figure 2 -A6-</i>
-----	1 x	Tie-wrap (not shown)
997.612.901.00	1 x	⇒ Wire harness ⇒ <i>Figure 2 -B1-</i>
997.641.165.00	1 x	⇒ "PASSENGER AIRBAG OFF" warning light ⇒ <i>Figure 2 -B2-</i>
997.613.211.00	1 x	⇒ Airbag OFF switch (USA) ⇒ <i>Figure 2 -B4-</i>
997.552.902.00 A03 ¹	1 x	⇒ Side trim panel, black, ⇒ <i>Figure 2 -C-</i>
997.701.930.00	1 x	⇒ Warning sticker (not shown)
987.701.930.00	1 x	⇒ Warning sticker (not shown)

¹ The parts listed in the Parts List can also be ordered according to interior equipment color.

Spare Parts:	997.521.061.01	1 x	⇒ Isofix module ⇒ <i>Figure 2 -A-</i>
	997.521.961.01	1 x	⇒ Mounting kit ⇒ <i>Figure 2 -A2-A6-</i>
	997.612.901.00	1 x	⇒ Isofix electrical system materials ⇒ <i>Figure 2 -B-</i>

Warnings:



Risk of short circuit and fire due to work on vehicle electrical system.

- ⇒ **When working on the electrical system, the battery must always be disconnected and covered.**
- ⇒ **Always route the electric lines without tension and so that no chafing occurs and secure to existing lines/components with tie-wraps/wrapping tape.**



Vibrating saws or knives can damage adjacent components.

- ⇒ **Mask the cutting area.**
- ⇒ **Be very careful when working (sawing) in this area.**

Tools:	Combination wrench, a/f 8, a/f 10
	Ratchet
	Plastic wedge
	Torx wrench, T25, T30

Torque wrench, signal-transmitting with ratchet Nr.90 (10 - 130 Nm/7.5 - 96 ftlb.), (0 - 30 Nm/0 - 22 ftlb.)

PIWIS Tester 9718

Phillips screwdriver (medium)

Jig saw

Press-out and unlocking tools for flat and round plug connections of every size Nr.155 **(90207)**

Side cutters

Hot-air gun

Drill

Steel drill bit, Ø 5 mm

Flat/round file

Needle nose pliers

Torx wrench, E12

Hexagon socket, a/f 3

Open-ended wrench, a/f 10 mm

Work Procedure: 1 Install Isofix module and stop segment.

1.1 Preparatory work.

1.1.1 Remove passenger's seat. ⇒ *Workshop Manual '720119 Removing and installing front seat - section on "Removing"*.

1.1.2 Disconnect battery. ⇒ *Workshop Manual '270619 Removing and installing battery - section on "Removing"*.

2 Remove cover for backrest.

2.1 **Only** for vehicles with mechanical seat adjustment:
Remove height adjustment lever.

2.1.1 Press out trim panel with a plastic wedge.

2.1.2 Unscrew fastening screw ⇒ *Figure 3 -A-* and remove lever ⇒ *Figure 3 -B-*.

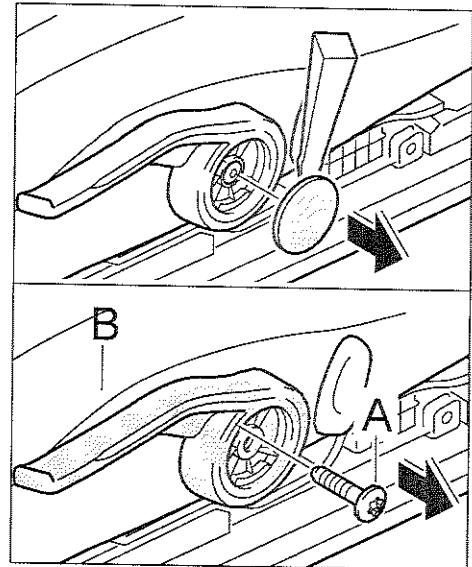


Figure 3

2.1.3 Unscrew front and rear fastening screw ⇒ *Figure 4 -A-* on control module trim panel.

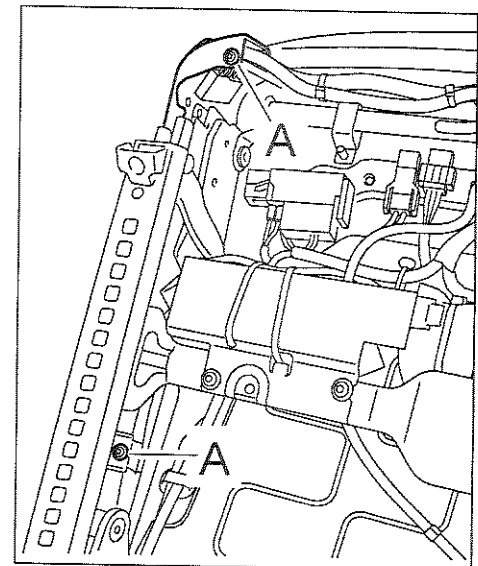


Figure 4

- 2.1.4 Swivel control module trim panel downward until front screw ⇒ *Figure 5 -A-* of backrest cover is accessible.
- 2.1.5 Remove screws ⇒ *Figure 5 -A and B-*.

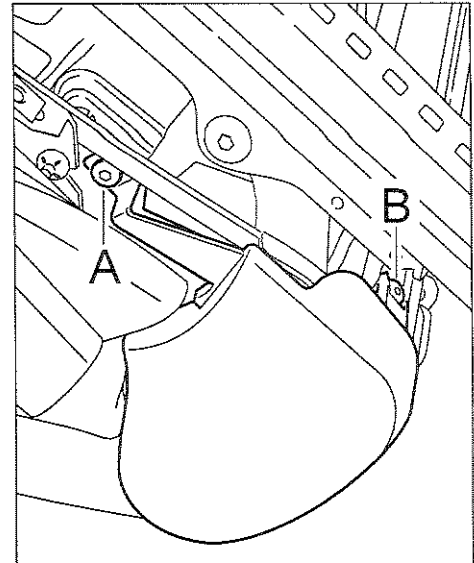


Figure 5

⚠ CAUTION

The paint can be damaged if sharp objects are used.

- 2.1.6 Insert a plastic wedge ⇒ *Figure 6 -C-* between the backrest cover ⇒ *Figure 6 -A-* and the inner cover and carefully lever open until the locking tabs and groove ⇒ *Figure 6 -B-* separate. Take backrest cover off to the rear.

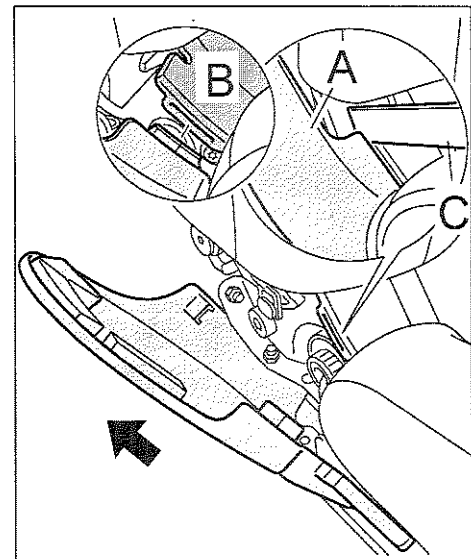


Figure 6

- 3 **Only** for USA version:
 - 3.1 Remove retaining clip ⇒ *Figure 7 -A-* on belt buckle line.

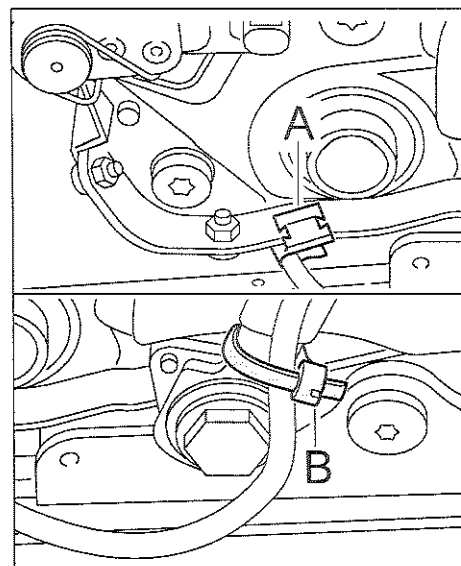


Figure 7

⚠ CAUTION

Belt buckle line must not be chafed or crushed when sliding the seat.

- 3.2 Secure belt buckle line at lower end of belt buckle strap with a tie-wrap ⇒ *Figure 7 -B-*.

⚠ CAUTION

Never loosen or unscrew the lower safety screws (B).

- 4 Unscrew screws and nuts \Rightarrow Figure 8 -A- on both sides of the transverse plate connection.

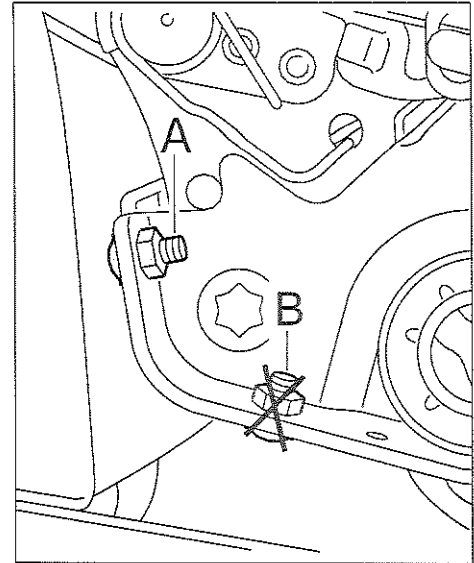


Figure 8

- 4.1 Insert cross member \Rightarrow Figure 9 -A1- from the rear and tighten M5 x 16 screws \Rightarrow Figure 9 -A2- and self-locking nuts \Rightarrow Figure 9 -A3- on both sides.
Tightening torque 5 Nm (3.5 ftlb.)
 ± 0.5 Nm (± 0.5 ftlb.)

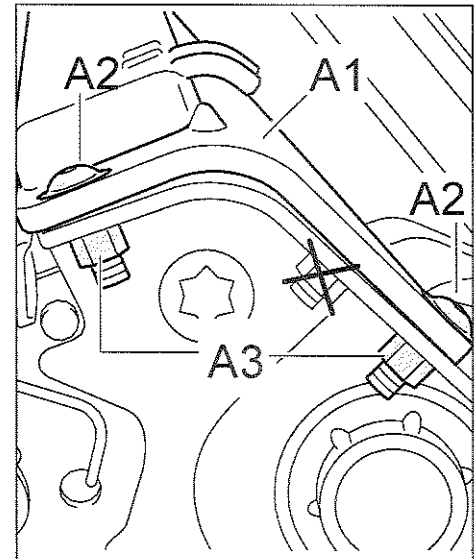


Figure 9



Information

Always fit the stop segment on the right side of the seat!

4.2 Install stop segment with screw welded on.



Information

Check the position of the stop segment in the ring gear:
One tooth (the lowest) must always be left free.

4.2.1 Insert stop segment ⇒ *Figure 10 -A4-* into the teeth of the backrest angle adjustment unit from the outside using needle nose pliers.

4.2.2 Fit plastic washer ⇒ *Figure 10 -A5-* and low-type M5 nut ⇒ *Figure 10 -A6-* and tighten hand-tight using an open-ended wrench.

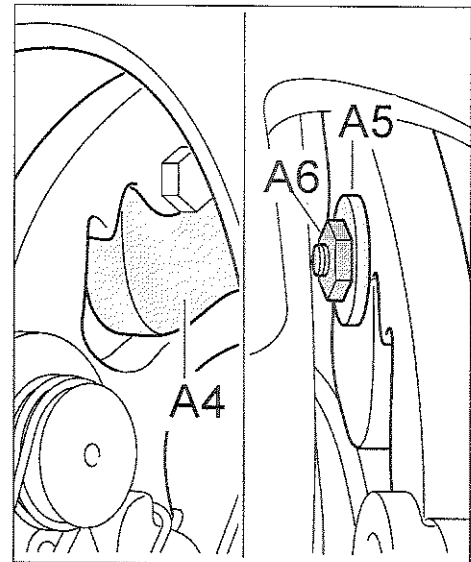


Figure 10

**Information**

Work step only necessary if the new version of the backrest cover is installed.

- 4.3 Install backrest cover.
- 4.3.1 Remove bars ⇒ *Figure 11 -A-* with side cutters.
- 4.3.2 Fit backrest cover on seat frame. Tighten fastening screws for backrest cover on the seat.
Tightening torque 2.7 Nm (2.0 ftlb.)
- 4.4 Install control module trim panel.
Tighten fastening screw for control module trim panel.
Tightening torque 2.7 Nm (2.0 ftlb.)
Tighten fastening screw securing lever to seat.
Tightening torque 5.9 Nm (4.5 ftlb.)

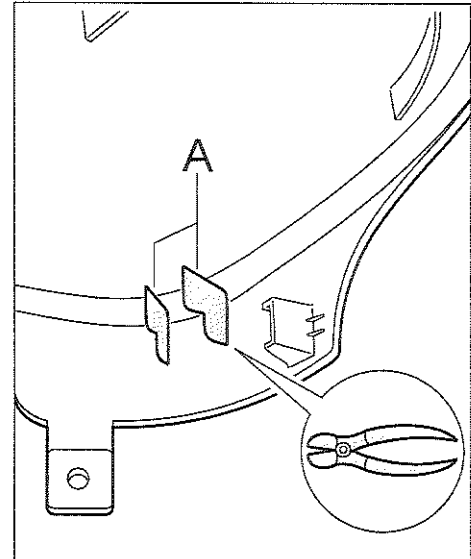


Figure 11

- 5 Install PAO warning light.
- 5.1 Remove center console. ⇒ *Workshop Manual '681719 Removing and installing centre console - section on "Removing"*.

**Information**

The embossed cut-out (A) for the PAO warning light is marked on the back of the center console.

- 5.2 Cut out embossed cut-out ⇒ *Figure 12 -A-* for PAO warning light.
- 5.3 Clip PAO warning light ⇒ *Figure 12 -B-* into cut-out.

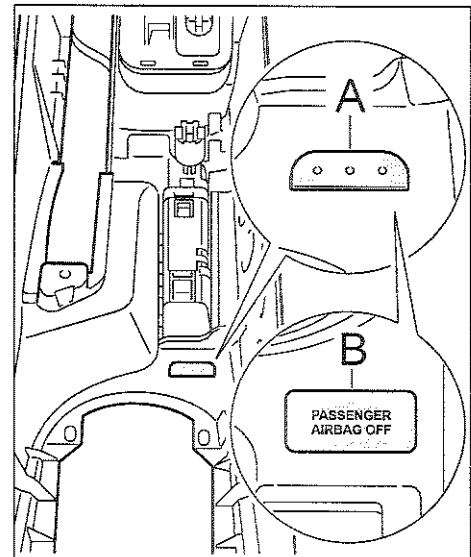


Figure 12

- 5.4 Route electric wire for PAO warning light in center console and connect it.
 - 5.4.1 Release secondary lock of 12-pin connector for center console connection point ⇒ *Figure 13 -A-*.
 - 5.4.2 Assign 12-pin connector for center console connection point as follows:

Cable color YE/RD – slot 10

Cable color OR – slot 9



Information

Ensure socket contact is seated securely.

- 5.4.3 Lock 12-pin connector for the center console connection point.
- 5.4.4 Route electric wire for the PAO warning light ⇒ *Figure 13 -C-* along the original electric wire harness for the center console and secure it.
- 5.5 Connect electric plug connection for PAO warning light ⇒ *Figure 13 -B-*.

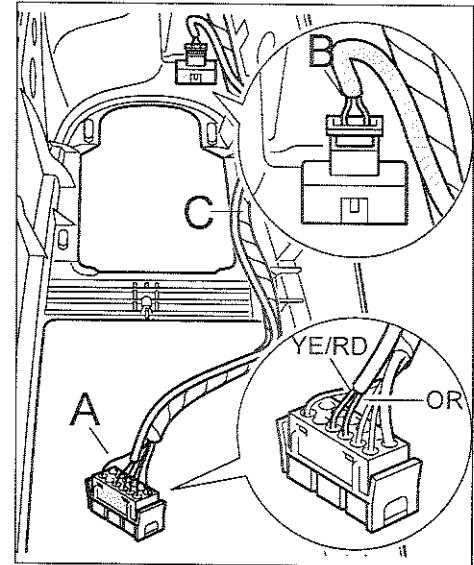


Figure 13

- 6 Install key-operated switch "Airbag Auto/OFF".
 - 6.1 Preparatory work.
 - 6.1.1 Remove cup holder. ⇒ *Workshop Manual '683019 Removing and installing cup holder - section on "Removing"*.
 - 6.1.2 Remove trim panel under dashboard at passenger's side. ⇒ *Workshop Manual '701919 Removing and installing trim panel under dashboard - section on "Removing"*.
 - 6.1.3 Remove dashboard cover at the right. ⇒ *Workshop Manual '701619 Removing and installing dashboard cover - section on "Removing"*.
 - 6.1.4 Remove cover (cold air bulkhead). ⇒ *Workshop Manual '702219 Removing and installing cover (cold air bulkhead) - section on "Removing"*.
 - 6.1.5 Remove glove compartment. ⇒ *Workshop Manual '681519 Removing and installing glove compartment - section on "Removing"*.

6.2 Connect electric wire for key-operated switch "Airbag Auto/OFF".

6.2.1 Route electric wire for key-operated switch "Airbag Auto/OFF" ⇒ *Figure 14 -A-* from the airbag connector ⇒ *Figure 14 -B-* to the right-hand side of the dashboard and secure it with tie-wraps.

6.2.2 Connect and lock electric plug connection for airbag connection point. ⇒ *Figure 14 -C-*.

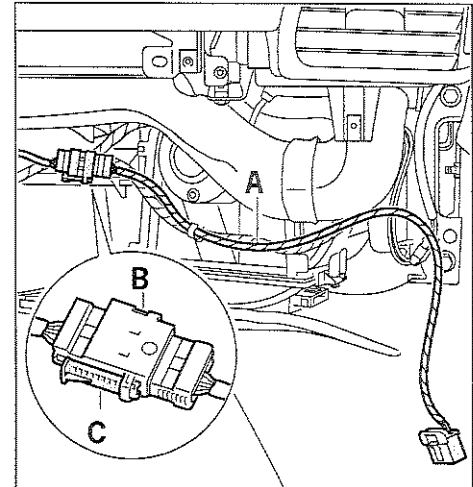


Figure 14

6.2.3 Fit glove compartment. While doing this, guide electric wire for key-operated switch "Airbag Auto/OFF" sideways through the cut-out ⇒ *Figure 15 -A-* in the glove compartment.

6.2.4 Secure the glove compartment. ⇒ *Workshop Manual '681519 Removing and installing glove compartment - section on "Installing"*

Tightening torque 3 Nm (2 ftlb.)

6.2.5 Install trim panel under dashboard at passenger's side. ⇒ *Workshop Manual '701919 Removing and installing trim panel under dashboard - section on "Installing"*

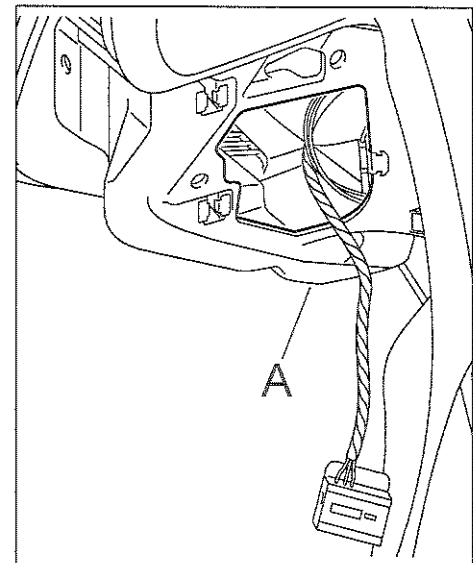


Figure 15

- 6.2.6 Clip key-operated switch "Airbag Auto/OFF, USA version" ⇒ Figure 16 -C- into side trim panel ⇒ Figure 2 -C-.
- 6.2.7 Stick warning sticker ⇒ Figure 16 -B- onto the side trim panel.
- 6.2.8 Connect electric plug connection for key-operated switch "Airbag Auto/OFF".
- 6.3 Clip side trim panel into dashboard on the right.
- 6.4 Install cup holder. ⇒ Workshop Manual '683019 Removing and installing cup holder - section on "Installing"
- 6.5 Install cover (cold air bulkhead). ⇒ Workshop Manual '702219 Removing and installing cover (cold air bulkhead) - section on "Installing"
- 7 Install center console. ⇒ Workshop Manual '681719 Removing and installing centre console - section on "Installing"

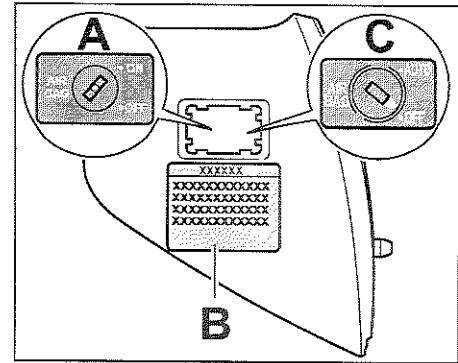


Figure 16



Information

The AWS control unit must be calibrated for vehicles with country equipment (USA, Canada, Mexico).

- 8 Install passenger's seat. ⇒ Workshop Manual '720119 Removing and installing front seat - section on "Installing"
Tightening torque 50 Nm (37 ftlb.)
- 9 Connect battery. ⇒ Workshop Manual '270619 Removing and installing battery - section on "Installing"
- 10 Calibrate the AWS control unit. ⇒ Workshop Manual '6968K2 Calibrating AWS control unit - section on "Calibrating"
- 11 Program airbag.
 - 11.1 PIWIS Tester 9718 must be connected and ignition must be switched on.
 - 11.2 Select vehicle and confirm your selection by pressing **F12** .
 - 11.3 Select "Airbag" menu item and press **F12** .
 - 11.4 Select "Coding" and press **F12** .
 - 11.5 Select "Airbag OFF key-operated switch" and press **F12** .

- 11.6 Set to "No" → select "Yes" and code with the **F8** key. The message "Recording coding" appears briefly on the Tester.
 - 11.7 Once coding is complete, the following message appears on the Tester: "Write coding with **F8**".
 - 11.8 Press **F11** to go back one level.
 - 11.9 "Airbag OFF key-operated switch" is set to "Yes" → programming is complete.
- 12 Read out and erase fault memory if necessary, remove ignition key, disconnect Tester.
 - 13 Perform function test:
 - 13.1 **Only** for vehicles with country equipment (USA, Canada, Mexico):
Set "Airbag Auto/Off" key-operated switch to "Auto" using the vehicle key → Switch on ignition → PAO warning light goes off after a short time. → Place 6.7 kg test weight on seat → PAO warning light comes on → Remove test weight.

Set "Airbag Auto/Off" key-operated switch to "OFF" using the vehicle key → **Airbag not active** → Switch on ignition → PAO warning light stays on.

Working Time: 69 29 23 10: Installing Isofix retaining bow

Labor time: **210 TU**

Includes: Removing and installing passenger's seat, centre console, glove compartment. Fitting Isofix module, installing PAO warning light and key-operated switch. Programming using the PIWIS Tester.

Without: Calibrating AWS control unit.

References:

- ⇒ Workshop Manual '271000 Work instructions after disconnecting the battery'
- ⇒ Workshop Manual '681519 Removing and installing glove compartment'
- ⇒ Workshop Manual '681719 Removing and installing centre console'
- ⇒ Workshop Manual '683019 Removing and installing cup holder'
- ⇒ Workshop Manual '6968K2 Calibrating AWS control unit'
- ⇒ Workshop Manual '701619 Removing and installing dashboard cover'
- ⇒ Workshop Manual '701919 Removing and installing trim panel under dashboard'
- ⇒ Workshop Manual '702219 Removing and installing cover (cold air bulkhead)'

⇒ Workshop Manual '720119 Removing and installing front seat'

Important Notice: Porsche Cars N.A Technical Bulletins are intended for use by professional technicians, not a "Do-it-yourselfer." They are written to inform these technicians of conditions that may occur on some vehicles, or to provide information that could assist in the proper service of a vehicle. Special tools may be required to perform certain operations identified in these bulletins. Use of tools and procedures other than those recommended in these bulletins may be detrimental to the safe operation of your vehicle. Properly trained technicians have the equipment, tools, safety instructions and know-how to do a job properly and safely. If a condition is described, do not assume that the bulletin applies to your vehicle, or that your vehicle will have that condition. See your Porsche Dealer for information on whether your vehicle may benefit from the information. Part numbers listed in these bulletins are for reference only. Always check with your authorized Porsche dealer to verify correct part numbers.

© Porsche Cars North America, Inc.

Dealership	Service Manager _____	Shop Foreman _____	Service Technician _____	_____	_____
Distribution	Asst. Manager _____	Warranty Admin. _____	Service Technician _____	_____	_____
Routing					

Dr. Ing. h.c. F. Porsche AG is the owner of numerous trademarks, both registered and unregistered, including without limitation the Porsche Crest®, Porsche®, Boxster®, Carrera®, Cayenne®, Cayman™, Panamera®, Tiptronic®, VarioCam®, PCM®, 911®, 4S®, FOUR, UNCOMPROMISED.® and the model numbers and distinctive shapes of Porsche's automobiles such as, the federally registered 911 and Boxster automobiles. The third party trademarks contained herein are the properties of their respective owners. Some vehicles may be shown with non-U.S. equipment. Porsche recommends seat belt usage and observance of traffic laws at all times.

Printed in the USA