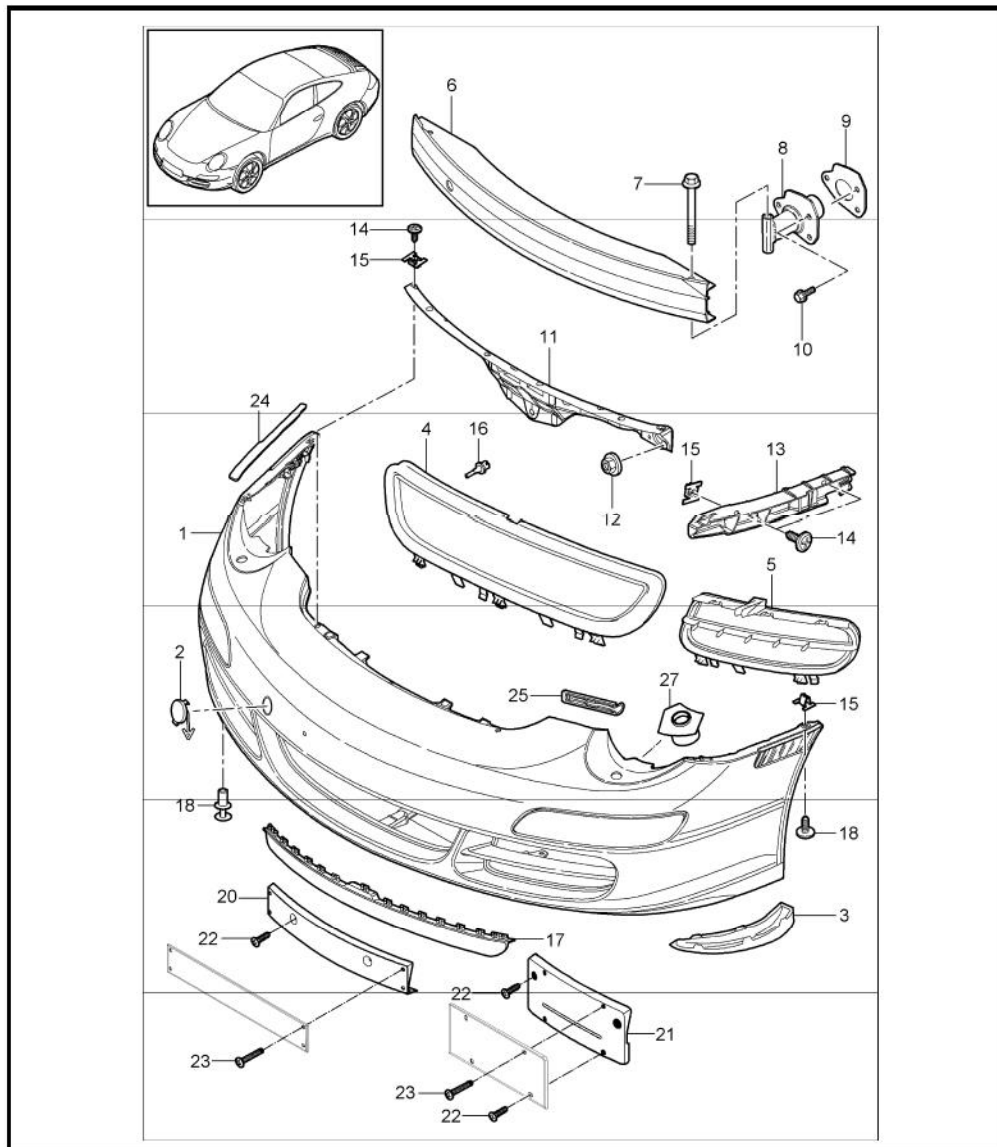


Model	Year	MG	SG	Illustration	Restrictions	UPD	9:01	06.02.2010	PORSCHE	PET	PORSCHE
997-2	2010	8	02	802-00		248	USA / CANADA				



Pos	Part Number	Description	Remark	Qty	Model
1	997 505 191 05	bumper front		1	
	G2L	prime coated			
1	997 505 982 07	lining prime coated		1	IXAA/XAS/288
2	997 505 703 05	cover		1	
	G2L	prime coated			
(2)	997 505 994 01	cover prime coated		1	IXAA/XAS
3	997 505 525 01	cover	/L	1	
	G2L	prime coated			
(3)	997 505 526 01	cover	/R	1	
	G2L	prime coated			
4	997 505 541 03	retaining frame		1	
	01C	satin black centre			
5	997 505 563 04	retaining frame	/L	1	C2
	01C	satin black			
(5)	997 505 564 04	retaining frame	/R	1	C2
	01C	satin black			
(5)	997 505 563 05	retaining frame	/L	1	C4
	9B1	titanium metallic			
(5)	997 505 564 05	retaining frame	/R	1	C4
	9B1	titanium metallic			
(5)	997 505 985 02	retaining frame lateral left	/L	1	I756
	041	black			
(5)	997 505 986 02	retaining frame lateral right	/R	1	I756
	041	black			

Model	Year	MG	SG	Illustration	Restrictions	UPD	9:01	06.02.2010	PORSCHE	PET	PORSCHE
997-2	2010	8	02	802-00		248	USA / CANADA				

Pos	Part Number	Description	Remark	Qty	Model	Pos	Part Number	Description	Remark	Qty	Model
6	997 505 131 01	bracket including foam part		1	I484	-	999 507 616 40	expander nut 3,5 for spoiler		2	I756
(6)	997 505 131 02	bracket including foam part		1	I113	18	999 073 227 09	tapping screw ST 4,8 X 19		10	
-	997 505 777 01	foam part in bracket		1		19	999 591 699 01	speed nut ST 4,8		1	
7	900 378 088 01	hexagon-head bolt M 12 x 100		2		18	999 591 941 40	expansion rivet		1	
8	997 505 319 00	impact pipe		2		21	997 701 051 10	assembly kit number plate		1	I218
9	997 505 751 02	seal impact absorber		2		(21)	997 701 051 15	assembly kit number plate		1	IXAA/XAS/218
10	900 378 267 01	hexagon-head bolt M 8 X 30		6		23	999 919 242 01	screw 5,0 x 28		X	
11	997 505 531 00	retaining strip		1		(24)	997 504 531 00	protective film	/V/L	1	
12	999 076 048 01	hexagon nut M 6		3		24	997 504 532 00	protective film	/V/R	1	
13	997 505 535 01	retaining strip	/L	1		25	997 505 719 00	fixing device		2	
(13)	997 505 536 01	retaining strip	/R	1		--		air duct see group 1/05/15			
14	999 073 418 01	tapping screw ST 4,8 X 19		4		27	997 505 761 02	retainer plate left		1	
15	999 507 849 01	captive nut ST 4,8		9		(27)	997 505 762 02	retainer plate right use also:		1	
16	996 641 142 00	temperature sensor		1		-	000 043 300 47	set adhesive including 5-fold mixing tube		1	
17	997 505 557 02	spoiler		1							
	01C	satin black									
17	997 505 983 03	spoiler prime coated		1	IXAA	-	000 043 300 48	tool for adhesive		1	
17	997 505 983 05	spoiler prime coated		1	IXAS						
(17)	997 505 983 06	spoiler prime coated		1	I756						
	G2L										