

PORSCHE®

Carrera Coupe

US \$75,600

Model Year 2009 Standard Equipment includes:

Engine

345 hp, 288 lb ft torque - 3.6 liter horizontally opposed 6 cylinder, aluminum alloy engine block & cylinder heads, rear mounted engine. Direct fuel injection. Integrated dry sump lubrication system with oil cooler. 4 overhead camshafts, 4 valves per cylinder, "VarioCam Plus" continuously variable inlet valve timing and lift. 2 stage resonance induction intake manifold. Cylinder specific knock control. Stainless steel exhaust system with twin brushed steel tail pipes.

Power Transmission

6-speed Manual Transmission with double inertia flywheel, and self correcting X-tend clutch. Hydraulic clutch actuation. Porsche Drive-Off Assistant.

Chassis and Suspension

8"x18" pressure cast Carrera IV wheels, 235/40ZR18 summer high performance tires - Front. 10.5"x18" pressure cast Carrera IV wheels, 265/40ZR18 summer high performance tires - Rear. Includes anti-theft device. TPMS – Tire Pressure Monitoring System. Puncture sealing compound and electric compressor. Power assisted steering with variable ratio. McPherson strut suspension with stabilizer bar – front. Multi link LSA (Light, Stable, Agile) suspension with stabilizer bar – rear. Enhanced PSM (Porsche Stability Management) with ABS (Anti lock Braking System), ASR (Anti Slip Regulation), ABD (Automatic Brake Differential) and EDTC (Engine Drag Torque Control).

Braking System

12.5" vented and perforated rotors w/ 4 piston monobloc enclosed calipers – front, 11.8" vented and perforated rotors w/ 4 piston monobloc black calipers – rear. ABS 8.0 – Anti Lock Braking System, brake pad wear indicators, hand operated parking brake.

Body

Two plus two Coupe, body shell hot dip galvanized on both sides. Luggage compartment lid in aluminum. Electric sliding roof with tip open/close. Front air dam with air intakes in black. Preparation for roof-rack system installation. Side windows with water repellent coating. Heatable rear window. Automatically extendable rear spoiler. Rear logotype in Titanium color. Full underbody paneling. 16.9 gallon fuel tank.

Lighting System

Bi-Xenon headlights with dynamic leveling, headlight washer system and welcome home function. LED daytime driving lights. LED tail and brake lights. Uniform lighting concept in white for entire interior, continuously variable. Foot well lighting.

Electrical Equipment

PCM (Porsche Communication Management) with 6.5" color display and full touchscreen controls. AM/FM radio with MP3 playing CD/DVD drive for audio playback. Sound Package Plus with 9 loudspeakers and 235 watt total power. On board computer w/ digital continuous indication of total mileage, trip mileage, time, outside temp and speed. 5 dial type gauges indicating RPM's, speed, oil pressure, oil temperature, coolant temp and fuel level, w/ black dials. Electronic oil level measurement with map compensation. Power windows with tip up/tip down and anti-jamming. Two speed wiper system with rain sensor, wiper delay control, heated washer nozzles. Remote central locking w/ luggage compartment release. Anti theft system including passenger compartment monitoring. Homelink door opener, cruise control.

Passive Safety Equipment

Fully galvanized high strength steel body w/ front & rear deformation zones. 3 point seat belts w/ pre-tensioners and force limiters. Seat belt height adjustment. 2 stage driver/passenger airbags. Porsche Side Impact Protection System (POSIP) consisting of side impact protection elements in each door, thorax side airbags integrated in seat backrests, head airbags located in door trim. Preparation for child seat anchorage (ISOFIX) on passenger side w/ switch for airbag deactivation.

Interior Equipment

Driver and passenger seat with electrical backrest adjustment and manual horizontal and height adjustment. Split folding rear seats. 3 spoke steering wheel w/ manual reach and height adjustment. Front seat inlay, front seat lateral supports, and headrests covered in grained leather. Steering wheel rim, gear selector, hand brake grip, door handle, armrests in the door panels, center console storage pocket trimmed in smooth leather. Decorative stitching in light contrast color. Interior trim in soft-paint in interior color. Various interior parts in Volcano gray. Roof liner in Alcantara. Automatic climate control with integrated carbon filter. Two cup holders in front. Door storage bins. Door entry guards with "Carrera" logotype. Illuminated vanity mirror, driver and passenger.

Porsche Cars North America – United States Order Guide – 2009 Model Year
Options, Prices, content, and availability are subject to change without notice.

PORSCHE®

Carrera S Coupe

US \$86,200

Model Year 2009 Standard Equipment includes:

Engine

385 hp, 310 lb ft torque - 3.8 liter horizontally opposed 6 cylinder, aluminum alloy engine block & cylinder heads, rear mounted engine. Direct fuel injection. Integrated dry sump lubrication system with oil cooler. 4 overhead camshafts, 4 valves per cylinder, "VarioCam Plus" continuously variable inlet valve timing and lift. 2 stage resonance induction intake manifold. Cylinder specific knock control. High Performance exhaust manifolds. Stainless steel exhaust system with 2 dual brushed steel tail pipes.

Power Transmission

6-speed Manual Transmission with double inertia flywheel, and self correcting X-tend clutch. Hydraulic clutch actuation. Porsche Drive-Off Assistant.

Chassis and Suspension

8"x19" pressure cast Carrera S II wheels, 235/35ZR19 summer high performance tires - Front. 11"x19" pressure cast Carrera S II wheels, 295/30ZR19 summer high performance tires - Rear. Includes anti-theft device. TPMS – Tire Pressure Monitoring System. Puncture sealing compound and electric compressor. Power assisted steering with variable ratio. McPherson strut suspension with stabilizer bar – front. Multi link LSA (Light, Stable, Agile) suspension with stabilizer bar – rear. PASM (Porsche Active Suspension Management) including 10mm lowering. Enhanced PSM (Porsche Stability Management) with ABS (Anti lock Braking System), ASR (Anti Slip Regulation), ABD (Automatic Brake Differential) and EDTC (Engine Drag Torque Control).

Braking System

13" vented and perforated rotors w/ 4 piston monobloc enclosed calipers – front & rear. ABS 8.0 – Anti Lock Braking System, brake pad wear indicators, hand operated parking brake.

Body

Two plus two Coupe, body shell hot dip galvanized on both sides. Luggage compartment lid in aluminum. Electric sliding roof with tip open/close. Front air dam with air intakes in black. Preparation for roof-rack system installation. Side windows with water repellent coating. Heatable rear window. Automatically extendable rear spoiler. Rear logotype in Silver color. Full underbody paneling. 16.9 gallon fuel tank.

Lighting System

Bi-Xenon headlights with dynamic leveling, headlight washer system and welcome home function. LED daytime driving lights. LED tail and brake lights. Uniform lighting concept in white for entire interior, continuously variable. Foot well lighting.

Electrical Equipment

PCM (Porsche Communication Management) with 6.5" color display and full touchscreen controls. AM/FM radio with MP3 playing CD/DVD drive for audio playback. Sound Package Plus with 9 loudspeakers and 235 watt total power. On board computer w/ digital continuous indication of total mileage, trip mileage, time, outside temp and speed. 5 dial type gauges indicating RPM's, speed, oil pressure, oil temperature, coolant temp and fuel level, w/ aluminum dials. Electronic oil level measurement with map compensation. Power windows with tip up/tip down and anti-jamming. Two speed wiper system with rain sensor, wiper delay control, heated washer nozzles. Remote central locking w/ luggage compartment release. Anti theft system including passenger compartment monitoring. Homelink door opener, cruise control.

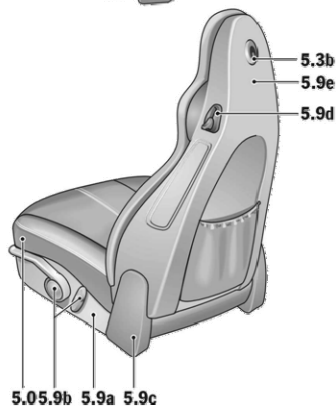
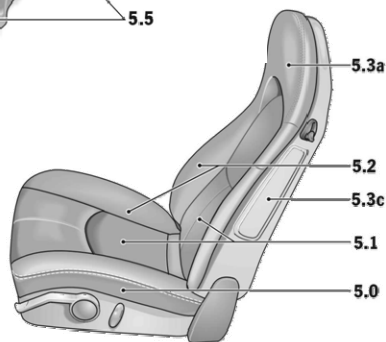
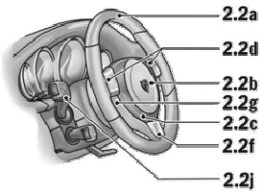
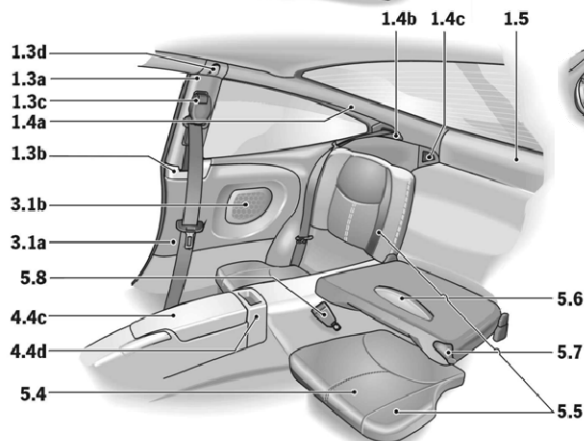
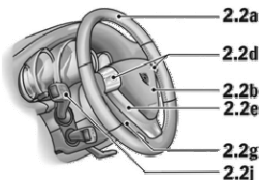
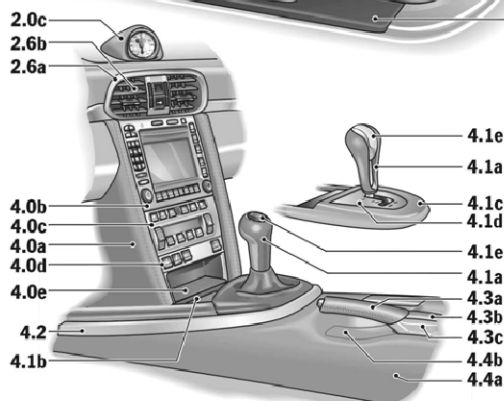
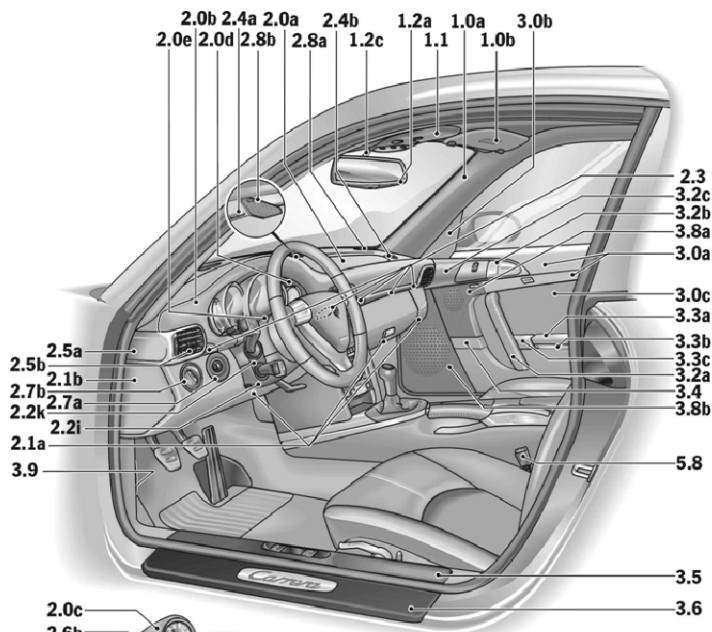
Passive Safety Equipment

Fully galvanized high strength steel body w/ front & rear deformation zones. 3 point seat belts w/ pre-tensioners and force limiters. Seat belt height adjustment. 2 stage driver/passenger airbags. Porsche Side Impact Protection System (POSIP) consisting of side impact protection elements in each door, thorax side airbags integrated in seat backrests, head airbags located in door trim. Preparation for child seat anchorage (ISOFIX) on passenger side w/ switch for airbag deactivation.

Interior Equipment

Driver and passenger seat with electrical backrest adjustment and manual horizontal and height adjustment. Split folding rear seats. 3 spoke smooth leather sport steering wheel w/ manual reach and height adjustment. Front seat inlay, front seat lateral supports, and headrests covered in grained leather. Steering wheel rim, gear selector, hand brake grip, door handle, armrests in the door panels, center console storage pocket trimmed in smooth leather. Decorative stitching in light contrast color. Interior trim in soft-paint in interior color. Roof liner in Alcantara. Automatic climate control with integrated carbon filter. Two cup holders in front. Door storage bins. Door entry guards with "Carrera S" logotype. Illuminated vanity mirror, driver and passenger. Air vents, dashboard trim, trim strip gear lever in aluminum look paint finish, various components in Volcano Gray.

Porsche Cars North America – United States Order Guide – 2009 Model Year
Options, Prices, content, and availability are subject to change without notice.



1.0a	A-pillar/windscreen frame trim
1.0b	Sun visors
1.1	Interior light surround
1.2a	Rear view mirror frame
1.2b	Rear view mirror casing
1.2c	Rear view mirror mounting
1.3a	B-pillar trim
1.3b	Belt outlets on B-pillars
1.3c	Belt height adjustment trim on B-pillars
1.3d	Clothes hook on B-pillars
1.4a	C-pillar trim
1.4b	Belt outlets on C-pillars
1.4c	Rear air vent
1.5	Rear panel trim
2.0a	Front part of dashboard incl. airbag cover
2.0b	Upper section of dashboard incl. instrument cover
2.0c	Timer cover
2.0d	Instrument surround
2.0e	Instrument surround lower section
2.1a	Lower section of dashboard incl. glove compartment, three-part
2.1b	Dashboard end trim
2.2a	Steering wheel rim
2.2b	Airbag module
2.2c	Airbag module surround on three-spoke sports steering wheel
2.2d	Tiptronic S switches (left/right) or spoke trim (left/right)
2.2e	"Y" trim on standard steering wheel
2.2f	Lower spoke trim on three-spoke sports steering wheel
2.2g	Steering wheel hub cover
2.2h	Steering wheel adjustment collar
2.2i	Steering column casing incl. hands-free microphone, three-part
2.2j	Control stalks
2.2k	Control stalk trim
2.3	Dashboard trim strip incl. cupholder trim, five-part
2.4a	Defroster trim
2.4b	Defroster air vent
2.5a	Side air vent
2.5b	Side air vent slats
2.6a	Central air vent incl. switch trim
2.6b	Central air vent slats
2.7a	Ignition lock surround
2.7b	Light switch surround
2.8a	Loudspeaker finishers on dashboard (left/right)
2.8b	Loudspeaker finisher on dashboard (center)
3.0a	Door trim incl. head-airbag cover
3.0b	Mirror attachment point finishers incl. mirror controls and base plate
3.0c	Door panel
3.1a	Side trim, rear seat area
3.1b	Loudspeaker finishers at rear
3.2a	Front of door handle
3.2b	Door opener
3.2c	Door opener trim
3.3a	Lid of door storage bin
3.3b	Door storage bin surround
3.3c	Lid extension on door storage bin
3.4	Door panel trim
3.5	Inner door-sill guard
3.6	Outer door-sill guard
3.8a	Loudspeaker finishers (mid-tone) incl. seat memory trim (driver's side)
3.8b	Loudspeaker finishers (bass)
3.9	Fuse box trim
4.0a	Center console side trim, front
4.0b	PCM trim
4.0c	Climate control trim
4.0d	Lower center console trim
4.0e	Lower storage bin
4.1a	Gear lever or Tiptronic gear selector
4.1b	Gear lever trim
4.1c	Tiptronic gear selector gate surround
4.1d	Tiptronic gear selector gate
4.1e	Decorative trim on shift pattern or release of Tiptronic gear selector
4.2	Decorative trim on gear lever/selector
4.3a	Handbrake lever
4.3b	Handbrake finisher (upper section)
4.3c	Handbrake finisher (lower section)
4.4a	Rear section of center console incl. ashtray cover
4.4b	Handbrake lever recess trim
4.4c	Lid of storage bin in rear section of center console
4.4d	Storage tray rear section of center console
5.0	Seat base
5.1	Seat center, front
5.2	Lateral supports, front
5.3a	Integrated head restraints, front
5.3b	Clothes hook seat backrest
5.3c	Thorax airbag cover
5.4	Seat center, rear
5.5	Lateral supports, rear
5.6	Luggage stop on rear seat backrests
5.7	Release lever on rear seat backrests incl. base plate
5.8	Belt buckles (front/rear)
5.9a	Seat controls trim
5.9b	Seat controls
5.9c	Hinge cover
5.9d	Release lever surround
5.9e	Sports seat backrest

911

Revision 25.01.2007
VKI, MW

Order Guide

Option	Description	Must Pick	Required	Conflict	Model	Price (USD)
Standard Paint						
A1	Black				Carrera Coupe	\$0
					Carrera S Coupe	\$0
B4	Carrara White				Carrera Coupe	\$0
					Carrera S Coupe	\$0
G1	Guards Red				Carrera Coupe	\$0
					Carrera S Coupe	\$0
X4	Speed Yellow				Carrera Coupe	\$0
					Carrera S Coupe	\$0
Optional Metallic Paint						
9Q	Meteor Grey Metallic				Carrera Coupe	\$710
					Carrera S Coupe	\$710
9S	Macadamia Metallic				Carrera Coupe	\$710
					Carrera S Coupe	\$710
D2	Aqua Blue Metallic				Carrera Coupe	\$710
					Carrera S Coupe	\$710
E9	Midnight Blue Metallic				Carrera Coupe	\$710
					Carrera S Coupe	\$710
J1	Porsche Racing Green Metallic				Carrera Coupe	\$710
					Carrera S Coupe	\$710
L2	Ruby Red Metallic				Carrera Coupe	\$710
					Carrera S Coupe	\$710
X1	Arctic Silver Metallic				Carrera Coupe	\$710
					Carrera S Coupe	\$710
Z4	Basalt Black Metallic				Carrera Coupe	\$710
					Carrera S Coupe	\$710

Option	Description	Must Pick	Required	Conflict	Model	Price (USD)	
Special Paint							
8W	Nordic Gold Metallic				Carrera Coupe	\$3,140	
					Carrera S Coupe	\$3,140	
E7	Atlas Grey Metallic				Carrera Coupe	\$3,140	
					Carrera S Coupe	\$3,140	
H1	Malachite Green Metallic				Carrera Coupe	\$3,140	
					Carrera S Coupe	\$3,140	
T2	Creme White				Carrera Coupe	\$3,140	
					Carrera S Coupe	\$3,140	
U2	GT Silver Metallic				Carrera Coupe	\$3,140	
					Carrera S Coupe	\$3,140	
Paint to Sample							
98	Non-Metallic Paint to Sample This option usually results in a production delay of 3 to 6 months. Not all color requests can be fulfilled and Porsche may require the customer or dealership to supply a paint sample or paint code in order to conduct feasibility testing. The deadline for submission of Model Year 2009 Paint to Sample orders will be approximately February 01, 2009.	24931	22291	789	Carrera Coupe	\$4,315	
					Carrera S Coupe	\$4,315	
99	Metallic Paint to Sample This option usually results in a production delay of 3 to 6 months. Not all color requests can be fulfilled and Porsche may require the customer or dealership to supply a paint sample or paint code in order to conduct feasibility testing. The deadline for submission of Model Year 2009 Paint to Sample orders will be approximately February 01, 2009.	24931	22291	789	Carrera Coupe	\$4,315	
					Carrera S Coupe	\$4,315	
Standard Leather							
AN	Black Standard Leather Black leather finish on seat center, lateral supports and head restraint.				P03 P77	Carrera Coupe	\$0
					Carrera S Coupe	\$0	
DC	Stone Grey Standard Leather Stone Grey leather finish on seat center, lateral supports and head restraint.				P01 P03 P77	Carrera Coupe	\$0
					Carrera S Coupe	\$0	
FB	Sea Blue Standard Leather Sea Blue leather finish on seat center, lateral supports and head restraint.				P01 P03 P77	Carrera Coupe	\$0
					Carrera S Coupe	\$0	
TD	Sand Beige Standard Leather Sand Beige leather finish on seat center, lateral supports and head restraint.				P01 P03 P77	Carrera Coupe	\$0
					Carrera S Coupe	\$0	

Option	Description	Must Pick	Required	Conflict	Model	Price (USD)
Leather for Sport Seats						
AP	Black Sport Seats Standard interior with sports seats in Black leather.				Carrera Coupe Carrera S Coupe	\$360 \$360
DD	Stone Grey Sport Seats Standard interior with sports seats in Stone Grey leather.				Carrera Coupe Carrera S Coupe	\$360 \$360
FC	Sea Blue Sport Seats Standard interior with sports seats in Sea Blue leather.				Carrera Coupe Carrera S Coupe	\$360 \$360
TE	Sand Beige Sport Seats Standard interior with sports seats in Sand Beige leather.				Carrera Coupe Carrera S Coupe	\$360 \$360
P77	Leather Sport Seats Manual height and front/back adjustment. Power recline. Seatbacks in Volcano Grey.				Carrera Coupe Carrera S Coupe	\$440 \$440
		AP DD FC TE AT BK BM BP DF FE TG MB RA 05 06 07 99			P01 P03 P15 541 982	
Leather Seats						
AR	Black Leather Seats Seats in Black full leather.				Carrera Coupe Carrera S Coupe	\$1,520 \$1,520
DE	Stone Grey Leather Seats Seats in Stone Grey full leather.				Carrera Coupe Carrera S Coupe	\$1,520 \$1,520
FD	Sea Blue Leather Seats Seats in Sea Blue full leather.				Carrera Coupe Carrera S Coupe	\$1,520 \$1,520
TF	Sand Beige Leather Seats Seats in Sand Beige full leather.				Carrera Coupe Carrera S Coupe	\$1,520 \$1,520
Full Leather						
AT	Black Full Leather				Carrera Coupe Carrera S Coupe	\$3,655 \$3,655
DF	Stone Grey Full Leather				Carrera Coupe Carrera S Coupe	\$3,655 \$3,655
FE	Sea Blue Full Leather				Carrera Coupe Carrera S Coupe	\$3,655 \$3,655

Option	Description	Must Pick	Required	Conflict	Model	Price (USD)
TG	Sand Beige Full Leather				Carrera Coupe Carrera S Coupe	\$3,655 \$3,655
Special Leather						
05	Dark Grey Natural Leather Dark Grey Natural Leather with roofliner in Alcantara black.		998	970	Carrera Coupe Carrera S Coupe	\$5,165 \$5,165
06	Brown Natural Leather Brown Natural Leather with roofliner in Alcantara black.		998	970	Carrera Coupe Carrera S Coupe	\$5,165 \$5,165
07	Carrera Red Natural Leather Carrera Red Natural Leather with roofliner in Alcantara black.		998	970	Carrera Coupe Carrera S Coupe	\$5,165 \$5,165
BK	Black/Stone Grey Interior Black Leather: Windshield pillar and frame, B and C pillars, upper dash and instrument hump, steering wheel rim, top of door molding. Stone Grey Leather: Bottom Lower dash, side covers of center console, storage lid of center console, gearshift and handbrake lever, door handle, door pocket cover and frame, door center panel, rear side covering. Stone Grey Soft Paint: Dashboard end cover, rear center console, including ashtray lid handle recess cover, handbrake lever, storage box in rear center console, cover dashboard/frame PDK shift gate, loudspeaker cover, front loudspeaker cover, door pocket frame. Seats in Black leather. Sunvisors in Black. Carpeting in Stone Grey. Roofliner in Alcantara Black (Coupe).			970	Carrera Coupe Carrera S Coupe	\$4,085 \$4,085
BM	Black/Sand Beige Interior Black Leather: Windshield pillar and frame, B and C pillars, upper dash and instrument hump, steering wheel rim, top of door molding. Sand Beige Leather: Lower dash, side covers of center console, storage lid of center console, gearshift and handbrake lever, door handle, door pocket cover and frame, door center panel, rear side covering. Sand Beige Soft Paint: Dashboard end cover, rear center console, including ashtray lid handle recess cover, handbrake lever, storage box in rear center console, cover of dashboard/frame PDK shift gate, loudspeaker cover, cover of front loudspeaker, door pocket frame. Seats in Black leather. Sunvisors in Black. Carpeting in Sand Beige. Roofliner in Alcantara Black (Coupe).			970	Carrera Coupe Carrera S Coupe	\$4,085 \$4,085

Option	Description	Must Pick	Required	Conflict	Model	Price (USD)
BP	Black/Terracotta Interior Black Leather: Windshield pillar and frame, B and C pillars, upper dash and instrument hump, steering wheel rim, top of door molding. Terracotta Leather: Bottom dash, side covers of center console, storage lid of center console, gearshift and handbrake lever, door handle, door pocket cover and frame, door center panel, rear side covering. Soft Paint Terracotta: Dashboard end cover, rear center console, including ashtray lid handle recess cover, handbrake lever, storage box in rear center console, cover dashboard/frame PDK shift gate, loudspeaker cover, cover of front loudspeaker, door pocket frame. Seats in Black leather. Sunvisors in Black. Carpeting in Terracotta. Roofliner in Alcantara Black (Coupe).		970		Carrera Coupe	\$4,085
					Carrera S Coupe	\$4,085
MB	Special Leather Terracotta Special Leather Terracotta interior with roofliner in Alcantara black.				Carrera Coupe	\$3,795
					Carrera S Coupe	\$3,795
RA	Special Leather Cocoa Special Leather Cocoa interior with roofliner in Alcantara black.				Carrera Coupe	\$3,795
					Carrera S Coupe	\$3,795
Leather to Sample						
99	Leather Interior to Sample This option usually results in a production delay of 3 to 6 months. An interior sketch is required. Not all leather requests can be fulfilled and Porsche may require the customer or dealership to supply a leather sample or previous interior code in order to conduct feasibility testing. The deadline for submission of Model Year 2009 Leather to Sample orders will be approximately February 01, 2009. Note: Loudspeaker grills (door and dash), steering wheel, and airbag cover in black. Steering wheel rim in black unless Exclusive options are ordered.		24941 00341		Carrera Coupe	\$5,405
			24961		Carrera S Coupe	\$5,405
Floormats						
810	Floor Mats in Interior Color			CFX CJX	Carrera Coupe	\$140
					Carrera S Coupe	\$140
CFX	Floor Mats With Colored Trim Set of four floor mats. Carpet in Black, Ocean Blue, Stone Grey, Sand Beige, Carrera Red, Terracotta, Cocoa or Natural Brown. Smooth leather surround including double stitching and inlay of front floor mats in choice of color.			CJX 810	Carrera Coupe	\$525
					Carrera S Coupe	\$525
CJX	Floor Mats with Leather Surround Smooth leather surround including double stitching in color of carpet. Inlay on front floor mats in smooth leather in color of the leather surround with embossed Porsche logo and stitching.			CFX 810	Carrera Coupe	\$425
					Carrera S Coupe	\$425

Option	Description	Must Pick	Required	Conflict	Model	Price (USD)
Seats						
342	Heated Seats Multi-stage heating system for front seats.			P03	Carrera Coupe Carrera S Coupe	\$500 \$500
541	Seat Ventilation Seat ventilation for both front seats.		342	P01 P03 P77 982	Carrera Coupe Carrera S Coupe	\$800 \$800
982	Supple Leather Front and Rear Soft ruffled leather on front and rear seat centers.	AR AT BK BM BP DE DF FD FE MB RA TF TG 05 06 07 99		P01 P03 P77	Carrera Coupe Carrera S Coupe	\$395 \$395
P01	Adaptive Sports Seats with Driver Memory Sport seats with electric adjustment for all seat functions, adjustable side bolsters, memory function for seat, and mirrors. Includes lumbar adjustment on driver side. Seatbacks in Volcano Grey.	AP DD FC TE AT BK BM BP DF FE TG MB RA 05 06 07 99		P03 P15 P77 541 982	Carrera Coupe Carrera S Coupe	\$2,695 \$2,695
P03	Sport Bucket Seats	AP DD FC TE AT BK BM BP DF FE TG MB RA 05 06 07 99		P01 P15 P77 342 509 541 982	Carrera Coupe Carrera S Coupe	\$3,125 \$3,125
P15	Power Comfort Seats with Driver Memory Fully electrically adjustable seats with driver memory. Includes adjustable lumbar support for driver and passenger.			P01 P03 P77	Carrera Coupe Carrera S Coupe	\$1,550 \$1,550
XSC	Porsche Crest in Headrests Head restraints on front seats embossed with Porsche crest.				Carrera Coupe Carrera S Coupe	\$285 \$285
Audio & Communications						
461	Rod Antenna External antenna to improve AM reception, mounted on roof above rear window.			686	Carrera Coupe Carrera S Coupe	\$0 \$0
618	Bluetooth Interface for Mobile Phone with Phone Holder Bluetooth Interface for hands free mobile phone use. Operation of basic phone functions on PCM or multi-function steering wheel (if applicable). Includes phone holder on side of center console.			619 666	Carrera Coupe Carrera S Coupe	\$695 \$695

Option	Description	Must Pick	Required	Conflict	Model	Price (USD)
619	Bluetooth Interface for Mobile Phone Bluetooth Interface for hands free mobile phone use. Operation of basic phone functions on PCM or multi-function steering wheel (if applicable).			618 666	Carrera Coupe	\$695
					Carrera S Coupe	\$695
635	Park Assist System Parking aid with four distance sensors integrated discreetly at rear of car.				Carrera Coupe	\$530
					Carrera S Coupe	\$530
640	Sport Chrono Package Plus Analog and digital chronometer, sport button in the center console and display in the PCM, also adds ability to adjust lighting, wipers, AC and door locking to suit personal preference. In conjunction with PDK, includes Sports Plus button in center console to activate launch control function (Race start). Note: In conjunction with PDK, price is \$1320.				Carrera Coupe	\$960
					Carrera S Coupe	\$960
641	Electronic Logbook Enables automatic acquisition of mileage, driving distance, date, time and address of starting point and destination at every trip including PC- software for data download and evaluation.		672		Carrera Coupe	\$650
					Carrera S Coupe	\$650
671	PCM Voice Control Voice activation for navigation, telephone, and stereo functions. Available for customer specified orders only.		672		Carrera Coupe	\$595
					Carrera S Coupe	\$595
672	Navigation Module for PCM GPS Navigation module with 40GB HDD, extended navigation, including dynamic route calculation, automatic route recording, and back track navigation. Facilitates navigation in unmapped areas.				Carrera Coupe	\$2,110
					Carrera S Coupe	\$2,110
680	BOSE High End Sound Package Digital surround sound, 13 speakers (12 speakers for Cabriolet models) including subwoofer. 7 channel, 385 watt amplifier. Microphone for monitoring interior noise to optimize volume and tone.				Carrera Coupe	\$1,440
					Carrera S Coupe	\$1,440
686	XM Radio				Carrera Coupe	\$750
					Carrera S Coupe	\$750
693	6-Disc CD/DVD Changer Integrated in PCM. Includes ability to play MP3 music files and Audio DVDs.				Carrera Coupe	\$650
					Carrera S Coupe	\$650
870	Universal Audio Interface Includes connections for three audio source types - iPod, USB for memory stick with MP3 files, and auxiliary interface for other source. iPod and USB interfaces include operation via PCM.				Carrera Coupe	\$440
					Carrera S Coupe	\$440

Option	Description	Must Pick	Required	Conflict	Model	Price (USD)
Technical						
220	Limited Slip Rear Differential Lock Friction disc lock on rear axle. Pull - 22% and Push - 27%.	404 405 407 419 XRR			Carrera Coupe Carrera S Coupe	\$950 \$950
250	7-speed Porsche Doppelkupplung (PDK) 7 speed Porsche Doppelkupplung (PDK) double clutch transmission with manual steering wheel speedshift and automatic transmission. Replaces previous Tiptronic transmission.			XPA XPV 431 451 453 460	Carrera Coupe Carrera S Coupe	\$4,080 \$4,080
267	Self Dimming Mirrors Automatically dimming interior and exterior mirrors				Carrera Coupe Carrera S Coupe	\$420 \$420
425	Rear Window Wiper				Carrera Coupe Carrera S Coupe	\$360 \$360
450	Porsche Ceramic Composite Brake (PCCB) Porsche Ceramic Composite Brake (PCCB) system. Carbon-fiber reinforced ceramic brake discs, internally ventilated and perforated, and yellow painted brake calipers.				Carrera Coupe Carrera S Coupe	\$8,150 \$8,150
475	Porsche Active Suspension Management (PASM) Active management of suspension firmness and a ride height decrease of 10mm from the standard suspension.			P17	Carrera Coupe	\$1,990
509	Fire Extinguisher DIN EN3-compliant powder-based system containing 1 kg of extinguishant. Stows neatly beneath driver's seat.			P03	Carrera Coupe Carrera S Coupe	\$140 \$140
549	Roof Transport System 165 lb. (75 kg) payload, can be used with all Porsche load carrier accessories.				Carrera Coupe Carrera S Coupe	\$400 \$400
603	Dynamic Cornering Lights Headlights adjust dynamically based upon speed and turn angle.				Carrera Coupe Carrera S Coupe	\$690 \$690
P17	PASM Sports Suspension Package Electronically variable active damping system with two manually selectable modes and limited slip rear differential lock. Ride height lowered by 20 mm.	419 404 405 407 XRR		475	Carrera Coupe Carrera S Coupe	\$2,940 \$950
XCZ	Sport Shifter Reduces shift travel for highly efficient shifting. Note: only in conjunction with manual transmission. Only available for Customer specified orders.			250	Carrera Coupe Carrera S Coupe	\$765 \$765

Option	Description	Must Pick	Required	Conflict	Model	Price (USD)
Wheels						
404	19" Turbo Wheel 19 inch Turbo wheels, forged, two-tone. Front: 8J x 19 with 235/35 ZR 19 tires. Rear: 11J x 19 with 295/30 ZR 19 tires.			XD9 XRR 405 407 419 446	Carrera Coupe Carrera S Coupe	\$2,440 \$890
405	19" Carrera Classic Wheel One-piece alloy wheel with slimline five-spoke design. Front: 8J x 19 with 235/35 ZR 19 tires. Rear: 11J x 19 with 295/30 ZR 19 tires.			XD9 XRR 404 407 419	Carrera Coupe Carrera S Coupe	\$1,940 \$390
407	19" Sport Design Wheel One-piece alloy wheel with multi-spoke race-derived design. Front: 8J x 19 with 235/35 ZR 19 tires. Rear: 11J x 19 with 295/30 ZR 19 tires.			XRR 404 405 419	Carrera Coupe Carrera S Coupe	\$1,940 \$390
419	19" Carrera S II wheel One piece alloy wheels in prominent 5 spoke design with double spoke end.			XRR 404 405 407	Carrera Coupe	\$1,550
446	Wheel Caps with Colored Crest Wheel Caps with full-color Porsche Crest.			XD9 XRR 404	Carrera Coupe Carrera S Coupe	\$185 \$185
CRX	Wheels Painted in Deviating Exterior Color Painted wheels (partially) and wheel centers including color Porsche crest in deviating exterior color. Note: Wheels painted in matching exterior color is only available as option XD9. Only available in standard and special colors.		407	XDA XDB XDC XDD XDE XD9 446	Carrera Coupe Carrera S Coupe	\$2,160 \$2,160
XD9	Rims and Caps - Exterior Color Painted wheels and wheel centers with full-color Porsche crest. In conjunction with 19-inch Carrera S II wheel available beginning 11/2008.		XRR 407	X1 XDA XDB XDC XDD XDE 404 405 446	Carrera Coupe Carrera S Coupe	\$1,390 \$1,390
XDA	Wheels Painted Black		XRR 407	A1 XDB XDC XDD XDE XD9 404 405 446	Carrera Coupe Carrera S Coupe	\$1,815 \$1,815
XDB	Wheels Painted Basalt Black		XRR 407	Z4 XDA XDC XDD XDE XD9 404 405 446	Carrera Coupe Carrera S Coupe	\$1,815 \$1,815
XDC	Wheels Painted Speed Yellow		XRR 407	X4 XDA XDB XDD XDE XD9 404 405 446	Carrera Coupe Carrera S Coupe	\$1,815 \$1,815
XDD	Wheels Painted Carrara White		XRR 407	B4 XDA XDB XDC XDE XD9 404 405 446	Carrera Coupe Carrera S Coupe	\$1,815 \$1,815

Option	Description	Must Pick	Required	Conflict	Model	Price (USD)
XDE	Wheels Painted Guards Red		XRR 407	G1 XDA XDB	Carrera Coupe	\$1,815
				XDC XDD XD9 404 405 446	Carrera S Coupe	\$1,815
XRP	Wheel Spacers 5mm wheel spacers on front and rear axle, including a longer wheel bolt. Note: includes anti-theft device.			XRR	Carrera Coupe	\$490
					Carrera S Coupe	\$490
XRR	19" Carrera Sport Wheel Set of one-piece alloy wheels with ten-spoke design. Including wheel painted in GT-silver metallic and polished rim. Front: 8.5J x 19 with 235/35 ZR 19 tires. Rear: 11.5J x 19 with 305/30 ZR 19 tires.			XRP 404 405 407 446	Carrera Coupe	\$2,385
					Carrera S Coupe	\$835
Interior Options						
345	Heated Steering Wheel Heated steering wheel rim with control of heated seats via a button on the steering wheel.		250 342		Carrera Coupe	\$190
					Carrera S Coupe	\$190
CEE	Rear footwell lighting Additional lights in rear footwell (left/right)				Carrera Coupe	\$415
					Carrera S Coupe	\$415
CEF	LED Door Storage Pocket Lighting LED lighting in door storage bin (left/right)				Carrera Coupe	\$330
					Carrera S Coupe	\$330
Interior Cosmetic						
022	Instrument Dials in Black			XFD XFG XFH XFJ	Carrera S Coupe	\$0
25751	Mid-Range Loudspeakers Cover in Sea Blue Softpaint		25752 25753 25754 99		Carrera Coupe	\$390
					Carrera S Coupe	\$390
25752	Cover of Bass Speakers in Sea Blue Softpaint		25751 25753 25754 99		Carrera Coupe	\$470
					Carrera S Coupe	\$470
25753	Door Panel Covers in Sea Blue Softpaint		25751 25752 25754 99		Carrera Coupe	\$160
					Carrera S Coupe	\$160
25754	Cover of Rear Loudspeakers in Sea Blue Softpaint		25751 25752 25753 99		Carrera Coupe	\$240
					Carrera S Coupe	\$240
X70	Door Entry Guards in Stainless Steel Door entry guards in stainless steel with Carrera logo.			CUA CXB CXC CXD CXE X69	Carrera Coupe	\$415
					Carrera S Coupe	\$415

Option	Description	Must Pick	Required	Conflict	Model	Price (USD)
XFD	Instrument dials in Sand Beige Paint finish in Sand Beige			XFG XFH XFJ	<i>Carrera Coupe</i>	\$860
				022	<i>Carrera S Coupe</i>	\$860
XFG	Instrument dials in Guards Red Paint finish in Guards Red.			XFD XFH XFJ	<i>Carrera Coupe</i>	\$860
				022	<i>Carrera S Coupe</i>	\$860
XFH	Instrument dials in Speed Yellow Paint finish in Speed Yellow.			XFD XFG XFJ	<i>Carrera Coupe</i>	\$860
				022	<i>Carrera S Coupe</i>	\$860
XFJ	Instrument dials in Carrara White Paint finish in Carrara White.			XFD XFG XFH	<i>Carrera Coupe</i>	\$860
				022	<i>Carrera S Coupe</i>	\$860
XSH	Seat Belts in Silver Full set of belts for front and rear.			XSX XSY	<i>Carrera Coupe</i>	\$540
					<i>Carrera S Coupe</i>	\$540
XSX	Seat Belts in Guards Red Full set of belts for front and rear.			XSH XSY	<i>Carrera Coupe</i>	\$540
					<i>Carrera S Coupe</i>	\$540
XSY	Seat Belts in Speed Yellow Full set of belts for front and rear.			XSH XSX	<i>Carrera Coupe</i>	\$540
					<i>Carrera S Coupe</i>	\$540
XXZ	Footrest in Aluminum Driver's side foot rest in aluminum and rubber.				<i>Carrera Coupe</i>	\$250
					<i>Carrera S Coupe</i>	\$250
Interior Options in Leather						
431	3-Spoke Multifunction Steering Wheel in Smooth Leather Three spoke multifunction steering wheel with smooth leather finish in interior color on steering wheel rim (with cross-stitched seam) and airbag module. Available only with manual gearbox (use option 841 for PDK transmission).			XPA XPU XPV	<i>Carrera Coupe</i>	\$870
				250 451 453	<i>Carrera S Coupe</i>	\$615
				460 844 845		
				847		
460	3-Spoke Sport Steering Wheel in Smooth Leather Three-spoke sports steering wheel in smooth leather. Includes smaller wheel diameter, rounded center, and contoured rim with thumb rests.			XPA XPU XPV	<i>Carrera Coupe</i>	\$255
				250 431 451		
				453 844 845		
				847		
844	3-Spoke PDK Multifunction Steering Wheel in Smooth Leather Three spoke multifunction steering wheel for PDK with smooth leather finish in interior color and steering wheel rim with cross-stitched seam. Available only with PDK transmission (use option 431 for manual).		250	XPA XPU XPV	<i>Carrera Coupe</i>	\$615
				431 451 453	<i>Carrera S Coupe</i>	\$615
				460 480 845		
				847		

Option	Description	Must Pick	Required	Conflict	Model	Price (USD)
EAF Interior Leather Package	Smooth leather in interior color on instrument surround, side air vents and slats, central air vent including switch trim and slats, and cover of door opener.			CDA CDH CDN CLF CMG CMH CMN CMP CWW CWW EAG EAH EAJ 801 803	Carrera Coupe	\$2,170
					Carrera S Coupe	\$2,170
XMA Rooflining in Leather	Rooflining in leather in interior color.				Carrera Coupe	\$1,180
					Carrera S Coupe	\$1,180
XMP Sun Visors in Leather	Sun visors and vanity mirror covers in leather in interior color.				Carrera Coupe	\$560
					Carrera S Coupe	\$560
XMZ Rear Center Console in Leather	Smooth leather finish in interior color: rear section of center console incl. ashtray cover, storage tray rear section of center console, handbrake lever recess trim.			XCK XJT XME XMJ	Carrera Coupe	\$1,260
					Carrera S Coupe	\$1,260
XNS Steering Column in Leather	Steering column casing (three-part) in smooth leather finish in interior color.				Carrera Coupe	\$420
					Carrera S Coupe	\$420
XPA Thicker 3-Spoke Steering Wheel in Smooth Leather	Thicker 3-spoke sports steering wheel in smooth leather in interior color.			XPU XPV 250 345 431 451 453 460 844 845 847	Carrera Coupe	\$510
					Carrera S Coupe	\$255
XSB Sport Seat Backs in Leather	Rear of backrests in smooth leather in interior color.	P01 P77		XSA	Carrera Coupe	\$1,870
					Carrera S Coupe	\$1,870
XTG Inner Sill Finishers in Leather	Inner sill finishers in leather in interior color.				Carrera Coupe	\$585
					Carrera S Coupe	\$585
XZD Dome Lamp Cover in Leather	Smooth leather finish in interior color: interior light cover.				Carrera Coupe	\$335
					Carrera S Coupe	\$335
Custom Tailoring and Deviations - Leather						
CDT Seat Belt Buckles in Leather	Seat belt buckles featuring smooth leather finish in interior color, including decorative stitching where appropriate.				Carrera Coupe	\$760
					Carrera S Coupe	\$760
CDU Belt Outlet on B Pillar in Leather	Smooth leather finish in interior color on seat belt outlet on B-pillars.			CCW CDR CFS CJJ CMR DAB	Carrera Coupe	\$215
					Carrera S Coupe	\$215
CDW "Y" Trim Steering Wheel in Leather	Smooth leather finish in interior color on "Y" trim of steering wheel.	431 451 453 XPV CPA		CDD XPA XPU 250 460 844 845 847	Carrera Coupe	\$275
					Carrera S Coupe	\$275

Option	Description	Must Pick	Required	Conflict	Model	Price (USD)
CDZ	Gear Lever Trim in Leather Gear lever trim smooth leather finish in interior color. Includes decorative stitching where appropriate.			DAW DAX 250	Carrera Coupe	\$260
					Carrera S Coupe	\$260
CNA	Defroster Trim in Leather Smooth leather finish in interior color on defroster trim and loudspeaker finisher on switch panel.			CDG CMG	Carrera Coupe	\$535
					Carrera S Coupe	\$535
CNB	Defroster Air Vents in Leather Smooth leather finish in interior color on defroster air vents. Soft touch paint finish in interior color on defroster air vent slats.				Carrera Coupe	\$365
					Carrera S Coupe	\$365
CPA	Thicker Multi-function Steering Wheel in Leather Thicker three-spoke steering wheel rim with cross-stitched seam.		431	CLA XPA XPU XPV 250 451 453 460 844 845 847	Carrera Coupe	\$965
					Carrera S Coupe	\$965
CPT	Storage Lid Bin with Porsche Crest Smooth leather finish in interior color on lid of storage bin in rear section of center console with Porsche crest. Includes decorative stitching where appropriate.			CLG CUV	Carrera Coupe	\$295
					Carrera S Coupe	\$295
CPU	Key Pouch in Interior Color Leather In smooth leather in interior color with embossed Porsche crest and decorative seam.				Carrera Coupe	\$95
					Carrera S Coupe	\$95
CUJ	Fuse Box Cover in Leather Smooth leather finish in interior color on fuse box cover. Includes decorative stitching where appropriate.				Carrera Coupe	\$155
					Carrera S Coupe	\$155
CUV	Storage Compartment Lid with Model Logo Smooth leather finish in interior color on lid of storage bin in rear section of center console with Carrera logo. Includes decorative stitching where appropriate.			CLG CPT	Carrera Coupe	\$295
					Carrera S Coupe	\$295
CUX	Release Lever for Rear Seats in Leather Smooth leather finish in interior color on rear seat backrest release lever, including baseplate. Includes decorative stitching where appropriate.			DAC	Carrera Coupe	\$310
					Carrera S Coupe	\$310
CVD	Luggage Stop on Rear Seat Backrest in Leather Luggage stop on rear seat backrest with smooth leather finish in interior color including decorative stitching.			DAC	Carrera Coupe	\$275
					Carrera S Coupe	\$275

Option	Description	Must Pick	Required	Conflict	Model	Price (USD)
CVP	Trim Strip Leather Smooth leather finish in interior color on trim strip switch panel including cupholder trim.			CDE CDM CLE CMM 801 803	Carrera Coupe	\$605
					Carrera S Coupe	\$605
CVT	Door and Rear Speakers in Leather Smooth leather finish in interior color including decorative stitching where appropriate: door panel trim, loudspeaker finishers (mid-tone), loudspeaker finishers (bass). Soft touch paint finish in interior color: loudspeaker grilles. In black plastic: seat memory trim (driver's side).				Carrera Coupe	\$2,570
					Carrera S Coupe	\$2,570
CWW	Rear View Mirror in Leather Smooth leather finish in interior color on rear view mirror frame, rear view mirror casing, and rear view mirror mounting.				Carrera Coupe	\$510
					Carrera S Coupe	\$510
CVY	Clothes Hook on Seat Backrest in Leather Clothes hook on seat backrest in smooth leather finish in interior color. Includes decorative stitching where appropriate.			DAB P03	Carrera Coupe	\$250
					Carrera S Coupe	\$250
CVZ	Bose Subwoofer Outlets in Leather Smooth leather finish in interior color		680		Carrera Coupe	\$225
					Carrera S Coupe	\$225
CWW	Instrument Surround in Leather Instrument surround in smooth leather finish in interior color.			CDP CMP CWW EAF EAJ	Carrera Coupe	\$440
					Carrera S Coupe	\$440
CWW	Instrument Surround in Aluminum Look			CDP CMP CWW EAF EAJ	Carrera Coupe	\$440
					Carrera S Coupe	\$440
DAA	Interior Package A Pillar in Leather Smooth leather finish in interior color on switch panel end trim, ignition lock surround, and mirror attachment point finishers including mirror controls and base plate. Includes decorative stitching where appropriate.				Carrera Coupe	\$740
					Carrera S Coupe	\$740
DAB	Interior Package B Pillar in Leather Leather finish interior color on belt outlet on B pillar, belt height adjustment trim on B pillars, clothes hook on B pillars, and clothes hook on seat backrest. Includes decorative stitching where appropriate.			CDU CVY	Carrera Coupe	\$965
					Carrera S Coupe	\$965
DAC	Interior Package C Pillar in Leather Leather finish in interior color on belt outlet on C pillars, rear air vent, luggage stop on rear backrests, and release lever on rear seat backrest, including base plate. Includes decorative stitching where appropriate.			CUX CVD	Carrera Coupe	\$1,035
					Carrera S Coupe	\$1,035

Option	Description	Must Pick	Required	Conflict	Model	Price (USD)
DAW	Gear Lever and Handbrake Lever Aluminum/Leather Gear lever and handbrake in leather and aluminum. Valid only with interior to sample or when ordering deviating stitching.			CDZ DAT DAX ECA 250 801 803	Carrera Coupe Carrera S Coupe	\$2,130 \$2,130
DAZ	Customization Package-PDK Gear Selector and Handbrake Lever For use only in conjunction with Leather in Color to Sample and/or Deviating stitching. PDK Gear selector, PDK gear selector gate surround, and upper section of handbrake finisher in smooth leather in interior color. Handbrake lever in aluminum. Lower section of handbrake finisher in aluminum look. Not available before Nov 2008.		250	CFP CWR CWS CWT CWU DAP 801 803	Carrera Coupe Carrera S Coupe	\$2,390 \$2,390
Interior Options in Aluminum Look						
26221	Door Handle/Door Storage Compartment Lid Alcantara Black Door handle and door storage compartment lid, including lid extension, in Alcantara Black.	24903 25994 00481		EAG EAH EAJ 25256 25441 26111 970	Carrera Coupe Carrera S Coupe	\$1,640 \$1,640
EAJ	Interior Aluminum Look Package Aluminum look paint finish on side air vents, central air vents including switch trim, instrument surround, front door handle, lid of door storage bin including lid extension on door storage bin, and door opener trim. Smooth leather finish in interior color on side air vent slats, and central air vent slats.			CDA CDH CDN CLF CMG CMH CMN CMP CWW CWW EAF EAG EAH	Carrera Coupe Carrera S Coupe	\$2,870 \$2,870
ECA	Gear Lever and Handbrake Lever in Aluminum Look Gear lever and handbrake lever (partially) in Aluminum. Smooth leather finish in interior color on inlays in gear lever and handbrake finisher (upper section). Aluminum Look paint finish on handbrake finisher (lower section).			ECB 250 801 803	Carrera Coupe Carrera S Coupe	\$1,075 \$1,075
ECB	PDK Gear Selector and Handbrake Lever in Aluminum PDK gear selector and handbrake lever in aluminum. Upper section of handbrake finisher and inlays in PDK gear selector in smooth leather finish in interior color. Lower section of handbrake finisher in aluminum look paint finish. Note: leather pieces in black smooth leather finish when in conjunction with leather in color to sample.		250	801 803	Carrera Coupe Carrera S Coupe	\$1,075 \$1,075
XCK	Rear Center Console in Aluminum Look Rear section of center console including ashtray cover storage tray rear section of center console in aluminum look painted finish. Handbrake lever recess trim in leather finish in interior color.			XJT XME XMJ XMZ	Carrera Coupe Carrera S Coupe	\$730 \$730
XPU	3-Spoke Multifunction Steering Wheel-Aluminum Look for PDK Steering wheel rim and steering wheel hub cover with smooth leather finish and inserts with aluminum look paint finish.	250 345		XPA XPV 431 451 453 460 480 844 845 847	Carrera Coupe Carrera S Coupe	\$980 \$980

Option	Description	Must Pick	Required	Conflict	Model	Price (USD)
XPV	3-Spoke Multi-function Steering Wheel in Aluminum Look Aluminum Look paint finish with smooth leather in interior color on steering wheel rim (with cross stitched seam). Smooth leather finish in interior color on airbag module and steering wheel hub cover.			XPA XPU 250	Carrera Coupe	\$1,125
				345 431 451	Carrera S Coupe	\$870
				453 460 844		
				845 847		
Custom Tailoring and Deviations - Aluminum Look						
CCW	Belt Outlet B-pillars in Aluminum Look Aluminum Look paint finish on belt outlet on B-pillars (left/right).			CDR CDU CFS	Carrera Coupe	\$180
				CJJ CMR	Carrera S Coupe	\$180
CDA	Air Vent Slats in Aluminum Look Aluminum look paint finish on side air vent slats and central air vent slats. Smooth leather finish in interior color on side air vents, central air vent including switch trim.			CDG CDN CMN	Carrera Coupe	\$1,010
				EAF EAG EAH	Carrera S Coupe	\$1,010
				EAJ		
CDD	"Y" Trim Steering Wheel in Aluminum Look	431 451 453		CDW XPA XPU	Carrera Coupe	\$275
		XPU CPA		250 460 844	Carrera S Coupe	\$275
				845 847		
CDE	Trim Strip in Aluminum Look Aluminum Look paint finish on trim strip switch panel, including cupholder trim.			CDM CLE CMM	Carrera Coupe	\$520
				CVP 801 803		
CDF	Gear Lever Trim in Aluminum Look			CDJ CMJ	Carrera Coupe	\$295
CNC	Front Air Intakes in Aluminum Look Front Air Intakes in Aluminum Look. Not available before Oct 2008.			CNF	Carrera Coupe	\$750
					Carrera S Coupe	\$750
CNW	Wing Mirror in Aluminum Look Aluminum Look paint finish (opaque) on wing mirror (lower part of shell).				Carrera Coupe	\$550
					Carrera S Coupe	\$550
Interior Options in Carbon						
453	Carbon Multi-function Steering Wheel 3-spoke multi-function steering wheel in carbon. Rim in smooth leather with carbon inlay, airbag module in smooth leather.			XPA XPU XPV	Carrera Coupe	\$1,125
				250 431 451	Carrera S Coupe	\$870
				460 844 845		
				847		
803	Carbon Package Carbon fiber finish: trim strip switch panel incl. cupholder trim, five part lever or Tiptronic selector, handbreak lever.			ECA 801	Carrera Coupe	\$890
					Carrera S Coupe	\$890

Option	Description	Must Pick	Required	Conflict	Model	Price (USD)
845	3-Spoke Multifunction Steering Wheel in Carbon for PDK Three spoke multifunction steering wheel - smooth leather finish on steering wheel rim with carbon inlay.	250	345	XPA XPU XPV	Carrera Coupe	\$980
				431 451 453	Carrera S Coupe	\$980
				460 480 844 847		
EAH	Interior Carbon Package Carbon finish on side air vents, central air vent, front side door handles, lid of door storage bin including lid extension on door storage bin, and door opener trim. Smooth leather finish in interior color on side air vent slats, and central air vent slats, including switch trim.			EAF EAG EAJ	Carrera Coupe	\$4,830
					Carrera S Coupe	\$4,830
X69	Door Entry Guards in Carbon Door entry guards in carbon with Carrera logo.			CUA CXB CXC	Carrera Coupe	\$780
				CXD CXE X70	Carrera S Coupe	\$780
XMJ	Rear Center Console Carbon Rear section of center console including ashtray cover, storage tray rear section of center console in carbon finish. Handbrake lever recess trim in leather finish in interior color.			XCK XJT XME	Carrera Coupe	\$1,625
				XMZ	Carrera S Coupe	\$1,625
Custom Tailoring and Deviations - Carbon						
CJJ	Belt Outlets on B Pillars in Carbon			CCW CDR CDU	Carrera Coupe	\$450
				CFS CMR	Carrera S Coupe	\$450
CXD	Door Entry Guards in Carbon, Illuminated Door entry guards in carbon with Carrera logo, illuminated in white.			CUA CXB CXC	Carrera Coupe	\$1,280
				CXE X69 X70	Carrera S Coupe	\$1,280
Customer Tailoring and Deviations - Alcantara						
CLA	Steering Wheel in Alcantara Thicker steering wheel rim in Alcantara black with cross-stitched seam. Airbag module is not in Alcantara.			CPA XPA XPU	Carrera Coupe	\$1,105
				XPV 250 451	Carrera S Coupe	\$1,105
				453 844 845 847		
CLE	Trim Strip Switch Panel in Alcantara Trim strip in Alcantara including cup holder.			CDE CDM CMM	Carrera Coupe	\$775
				CVP 801 803	Carrera S Coupe	\$775
CLF	Door Finishers in Alcantara Front of door handle and lid of door storage bin in Alcantara finish in black.			CDH CMH EAF	Carrera Coupe	\$1,640
				EAG EAH EAJ	Carrera S Coupe	\$1,640
CLG	Lid of Storage Bin in Alcantara with Logo Alcantara finish in black on lid of storage bin in rear center console with Porsche logo. Includes decorative stitching where appropriate.			CPT CUV	Carrera Coupe	\$490
					Carrera S Coupe	\$490

Option	Description	Must Pick	Required	Conflict	Model	Price (USD)
DAP	PDK Gear Selector and Handbrake Lever in Alcantara PDK gear selector, handbrake lever, and upper section of handbrake finisher in Alcantara finish in black, including decorative stitching where appropriate. Handbrake lever inlay in aluminum with Porsche logo. Lower section of handbrake finisher in aluminum look. Not available before Nov 2008.		250	CFP DAZ 801	Carrera Coupe	\$1,880
				803	Carrera S Coupe	\$1,880
DAT	Gear and Handbrake Lever in Alcantara Alcantara finish in black with decorative stitching where appropriate on gear lever, handbrake lever, and handbrake finisher. Decorative trim on shift pattern including middle shift pattern and inlay in handbrake lever with Porsche Logo in aluminum. Aluminum look paint finish on handbrake finisher.			DAW DAX ECA	Carrera Coupe	\$1,880
				250 801 803	Carrera S Coupe	\$1,880
Interior Options in Dark Wood						
451	Multifunction Steering Wheel in Makassar for Manual Three-spoke multi-function steering wheel in dark Makassar. Rim in smooth leather with wood inlay. Airbag module in smooth leather. Only available with manual transmission (use option 847 for PDK).			XPA XPU XPV	Carrera Coupe	\$1,125
				250 431 453	Carrera S Coupe	\$870
				460 844 845 847		
801	Makassar Package Dark Makassar finish: trim strip switch panel including cupholder trim, five-part gear lever or Tiptronic S selector, and handbrake lever.			ECA 803	Carrera Coupe	\$890
					Carrera S Coupe	\$890
847	Multifunction Steering Wheel in Makassar for PDK Three spoke multifunction steering wheel with Makassar inlay and smooth leather finish steering wheel. Only available with PDK transmission (use option 451 for manual).		250 345	XPA XPU XPV	Carrera Coupe	\$980
				431 451 453	Carrera S Coupe	\$980
				460 480 844 845		
EAG	Interior Makassar Package Dark Makassar Matt Silk Finish on side air vents, central air vent, front side door handle, lid door storage bin including lid extension on door storage bin, and door opener trim. Smooth leather finish in interior color on side air vent slats, and central air vent slats, including switch trim.			EAF EAH EAJ	Carrera Coupe	\$4,830
					Carrera S Coupe	\$4,830
XJT	Rear Center Console Makassar Dark makassar finish on rear section of center console, including ashtray cover and storage tray on rear section of center console. Leather finish in interior color on handbrake lever recess trim.			XCK XME XMJ	Carrera Coupe	\$1,625
				XMZ	Carrera S Coupe	\$1,625
Custom Tailoring and Deviations - Wood						
CFS	Belt Outlets on B Pillars in Makassar			CCW CDR CDU	Carrera Coupe	\$450
				CJJ CMR	Carrera S Coupe	\$450

Option	Description	Must Pick	Required	Conflict	Model	Price (USD)
Interior Options in Exterior Color						
XME	Rear Center Console in Exterior Color Paint finish in exterior color on rear section of center console, including ashtray cover and storage tray rear on section of center console. Leather finish in interior color on handbrake lever recess trim.			XCK XJT XMJ XMZ	Carrera Coupe Carrera S Coupe	\$730 \$730
XSA	Sport Seat Backs Painted in Exterior Color	P01 P77		98 99 XSB 789	Carrera Coupe Carrera S Coupe	\$1,580 \$1,580
Custom Tailoring and Deviations - Exterior Color						
CDG	Switch Panel Package Painted Exterior Color Side air vents central air vents including switch trim. Leather finish interior color: defroster trim, side air vent slats, central air vent slats.			CDA CDN CMG CMN CNA EAF EAG EAH EAJ	Carrera Coupe Carrera S Coupe	\$2,030 \$2,030
CDH	Door Finishers Painted in Exterior Color Paint finish in exterior color on front of door handle and door opener trim. This option is recommended in conjunction in option CDR-Belt Outlet on B-Pillar Painted in Exterior Color.			CLF CMH EAF EAG EAH EAJ	Carrera Coupe Carrera S Coupe	\$900 \$900
CDJ	Gear Lever Trim in Exterior Color Paint finish in exterior color on decorative trim on gear lever/selector.			CDF CMJ	Carrera Coupe Carrera S Coupe	\$295 \$295
CDM	Trim Strip Painted in Exterior Color Paint finish in exterior color on trim strip switch panel, including cupholder trim.			CDE CLE CMM CVP 801 803	Carrera Coupe Carrera S Coupe	\$520 \$520
CDN	Air Vent Slats Painted in Exterior Color Paint finish in exterior color on side air vent slats and central air vent slats. Smooth leather finish in interior color on side air vents, central air vent including switch trim.			CDA CDG CMG CMN EAF EAG EAH EAJ	Carrera Coupe Carrera S Coupe	\$1,010 \$1,010
CDP	Instrument Surround Painted in Exterior Color			CMP CWV CWW EAF EAJ	Carrera Coupe Carrera S Coupe	\$440 \$440
CDR	Belt Outlet on B-pillars Painted in Exterior Color			CCW CDU CFS CJJ CMR	Carrera Coupe Carrera S Coupe	\$180 \$180
CGA	Headlight Cleaner Cover in Exterior Color				Carrera Coupe Carrera S Coupe	\$225 \$225
CMA	Exterior Mirror Attachment Point Finishers Painted Exterior Color Exterior mirror attachment point finishers painted in exterior color. Not available before Oct 2008.				Carrera Coupe Carrera S Coupe	\$500 \$500

Option	Description	Must Pick	Required	Conflict	Model	Price (USD)
CMC	Door Opener Painted in Exterior Color			CDC	Carrera Coupe Carrera S Coupe	\$550 \$550
CNF	Front Air Intakes Painted Exterior Color Front Air Intakes Painted Exterior Color. Not available before Oct 2008.			CNC	Carrera Coupe Carrera S Coupe	\$750 \$750
CUC	Model Designation on Rear Lid Painted Exterior Color		498		Carrera Coupe Carrera S Coupe	\$180 \$180

Custom Tailoring and Deviations - Black

CDC	Door Opener Painted Black			CMC	Carrera Coupe Carrera S Coupe	\$550 \$550
CMD	Rear Center Console Painted Black Paint finish in Black on rear section of center console, including ashtray cover, and storage tray on rear section of center console. Smooth leather finish in interior color on handbrake lever recess trim.			CME XCK XJT XME XMJ XMZ	Carrera Coupe Carrera S Coupe	\$1,130 \$1,130
CMG	Switch Panel Package Painted Black Side air vents and central air vents including switch trim painted black. Leather finish interior color on defroster trim, side air vent slats and central air vent slats.			CDA CDG CDN CMN CNA EAF EAG EAH EAJ	Carrera Coupe Carrera S Coupe	\$2,030 \$2,030
CMH	Door Finishers Painted Black Paint finish in Black on front of door handle and door opener trim. Note: recommended in conjunction with belt-outlet B-pillars painted Black.			CDH CLF EAF EAG EAH EAJ	Carrera Coupe Carrera S Coupe	\$900 \$900
CMJ	Gear Lever/Selector Trim Painted Black			CDF CDJ	Carrera Coupe Carrera S Coupe	\$295 \$295
CMM	Trim Strip Painted Black Paint finish in Black on trim strip switch panel including cupholder trim (five-part).			CDE CDM CLE CVP 801 803	Carrera Coupe Carrera S Coupe	\$520 \$520
CMN	Air Vent Slats Painted Black Paint finish in Black on side air vent slats and central air vent slats. Smooth leather finish in interior color on side air vents and central air vent including switch trim.			CDA CDG CDN CMG EAF EAG EAH EAJ	Carrera Coupe Carrera S Coupe	\$1,010 \$1,010
CMP	Instrument Surround Painted Black			CDP CWV CWW EAF EAJ	Carrera Coupe Carrera S Coupe	\$440 \$440
CMR	Belt Outlets on B-Pillars Painted Black			CCW CDR CDU CFS CJJ	Carrera Coupe Carrera S Coupe	\$180 \$180

Option	Description	Must Pick	Required	Conflict	Model	Price (USD)
Custom Tailoring and Deviations - Other						
00471	Back Of Rear Seats Deviating Carpet Rear side of back seat backrest covered with carpet	25241 25351 25352			Carrera Coupe Carrera S Coupe	\$0 \$0
24891	Stitching of Front and Rear Seats in Deviating Color			25991 970	Carrera Coupe Carrera S Coupe	\$1,100 \$1,100
24901	Stitching of Dashboard in Deviating Color	AT BK BM BP DF FE TG MB RA 05 06 07 99		25992 970	Carrera Coupe Carrera S Coupe	\$310 \$310
24902	Stitching of Door Trim in Deviating Color	AT BK BM BP DF FE TG MB RA 05 06 07 99		25993 970	Carrera Coupe Carrera S Coupe	\$240 \$240
24903	Stitching of Door Handle in Deviating Color Stitching of door handles and door storage compartment lid in deviating thread color.	AT BK BM BP DF FE TG MB RA 05 06 07 99		EAG EAH EAJ 24911 25994 970	Carrera Coupe Carrera S Coupe	\$550 \$550
24904	Stitching of Side Center Console in Deviating Color	AT BK BM BP DF FE TG MB RA 05 06 07 99		24912 25995 970	Carrera Coupe Carrera S Coupe	\$310 \$310
24905	Stitching of Rear Side Panel in Deviating Color	AT BK BM BP DF FE TG MB RA 05 06 07 99		25996 970	Carrera Coupe Carrera S Coupe	\$390 \$390
24911	Stitching of Door Handles/Storage Lid in Deviating Thread Stitching of Door Handles and Door Storage Compartment Lid in Deviating Thread. Only in conjunction with non-Full Leather interiors (AN, AP, AR, DC, DD, DE, FB, FC, FD, TD, TE, and TF).	AN AP AR DC DD DE FB FC FD TD TE TF		EAG EAH EAJ 24903	Carrera Coupe Carrera S Coupe	\$550 \$550
24912	Stitching of Side Center Console in Deviating Color Stitching of Side Panel of Center Console in Deviating Color. Only available in Conjunction with non-Full Leather Interiors (AN, AP, AR, DC, DD, DE, FB, FC, FD, TD, TE, TF).	618 669		24904	Carrera Coupe Carrera S Coupe	\$310 \$310
24921	Upper Dash in Deviating Color Dashboard upper section and passenger airbag standard leather in deviating color.	24901 25992 00481		25731 640 970	Carrera Coupe Carrera S Coupe	\$470 \$470

Option	Description	Must Pick	Required	Conflict	Model	Price (USD)
24922	Lower Dash in Deviating Color Dashboard lower section and glove compartment lid standard leather in deviating color.	AT BK BM BP DF FE TG MB RA 05 06 07 99		25252 970	Carrera Coupe	\$310
					Carrera S Coupe	\$310
24923	Center Console Side Pads Standard Leather Dev. Color Center Console Side Pads Standard Leather Deviating Color	24904 25995 00481		24924 25257	Carrera Coupe	\$160
				618 970	Carrera S Coupe	\$160
24951	Carpet in Deviating Color			99 24961	Carrera Coupe	\$710
					Carrera S Coupe	\$710
25221	Roofliner Deviating Color Alcantara			XMA	Carrera Coupe	\$310
					Carrera S Coupe	\$310
25231	Front Seat Inlay in Alcantara Deviating Color			25241 25251	Carrera Coupe	\$630
				25351 25352	Carrera S Coupe	\$630
				25491 970 982		
25241	Front and Rear Seats in Leather Deviating Color	AT BK BM BP DF FE TG MB RA 05 06 07 99	00471	25231 25251	Carrera Coupe	\$1,500
				25351 25352 25491 970	Carrera S Coupe	\$1,500
25281	Door Airbag Cover Trim Strip Leather Deviating Color	AT BK BM BP DF FE TG MB RA 05 06 07 99		25253 970	Carrera Coupe	\$310
					Carrera S Coupe	\$310
25432	Storage Compartment Lid-Rear Center Console Leather Dev Color Storage compartment lid on rear of center console in standard leather deviating color.	AT BK BM BP DF FE TG MB RA 05 06 07 99		970	Carrera Coupe	\$160
					Carrera S Coupe	\$160
25461	A/B/C Pillars in Standard Leather	AT BK BM BP DF FE TG MB RA 05 06 07 99		970	Carrera Coupe	\$790
					Carrera S Coupe	\$790
25491	Front and Rear Seat Inlays In Deviating Color	AT BK BM BP DF FE TG MB RA 05 06 07 99		25231 25241	Carrera Coupe	\$1,180
				25251 25351	Carrera S Coupe	\$1,180
				25352 970		
25631	Door trim standard leather deviating color	24902 25993 00481		970	Carrera Coupe	\$310
					Carrera S Coupe	\$310

Option	Description	Must Pick	Required	Conflict	Model	Price (USD)
25711	Rear side panel standard leather, deviating color	24905 25996 00481		25255 970	Carrera Coupe Carrera S Coupe	\$310 \$310
25731	Upper Dash with Sport Chrono Deviating Color Dashboard upper section and passenger airbag standard leather in deviating color.	24901 25992 00481	640	24921 970	Carrera Coupe Carrera S Coupe	\$550 \$550
25961	Door Center Panel in Standard Leather, Deviating Color	AT BK BM BP DF FE TG MB RA 05 06 07 99		25254 970	Carrera Coupe Carrera S Coupe	\$310 \$310
26061	Steering Wheel Standard Leather Deviating Color	431 451 453 460	26071	XPA XPV 970	Carrera Coupe Carrera S Coupe	\$160 \$160
26071	Steering Wheel Airbag Module Standard Leather, Deviating Color	431 451 453 460 XPA XPV		970	Carrera Coupe Carrera S Coupe	\$160 \$160
26111	Door Pull Handle/Storage Compartment Lid Leather Dev Color	24903 25994 00481		EAG EAH EAJ 25256 25441 26221 970	Carrera Coupe Carrera S Coupe	\$470 \$470
26121	Door center panel in Black Alcantara	AT BK BM BP DF FE TG MB RA 05 06 07 99		25254 25961 970	Carrera Coupe Carrera S Coupe	\$310 \$310
CGG	Sport Chrono Timer Display Painted Guards Red			CGH CGJ	Carrera Coupe Carrera S Coupe	\$500 \$500
CGH	Sport Chrono Timer Display Painted Speed Yellow			CGG CGJ	Carrera Coupe Carrera S Coupe	\$500 \$500
CGJ	Sport Chrono Timer Display Painted Carrara White			CGG CGH	Carrera Coupe Carrera S Coupe	\$500 \$500
CME	Rear Section of Center Console Painted in Deviating Color Paint finish in exterior color: rear section of center console including ashtray cover, storage tray rear section of center console. Smooth leather finish in interior color: handbrake lever recess trim. Note: Rear section of center console with paint finish in matching exterior color is only available as option XME.			CMD XCK XJT XME XMJ XMZ	Carrera Coupe Carrera S Coupe	\$1,130 \$1,130

Option	Description	Must Pick	Required	Conflict	Model	Price (USD)
CMX	Side Strips with Model Designation Side strips with Carrera logo, available in Guards Red, Speed Yellow, Black, Aluminum Look, Carrara White, Orange, Green, Dark Blue or Meteor Grey.				Carrera Coupe	\$775
					Carrera S Coupe	\$775
CXB	Door Entry Guards in Stainless Steel, Illuminated Door entry guards (left/right) in stainless steel with Carrera logo, illuminated in White.			CUA CXC CXD	Carrera Coupe	\$775
				CXE X69 X70	Carrera S Coupe	\$775
Exterior Options						
176	Sports Exhaust System Includes modified silencers with a pair of dual tube, chrome plated tailpipes, and an integrated switch in PCM panel.				Carrera Coupe	\$2,500
					Carrera S Coupe	\$2,500
Exterior Cosmetic						
498	Delete Model Designation Deletion of model designation				Carrera Coupe	\$0
					Carrera S Coupe	\$0
Additional Options						
TD5	Tourist Delivery				Carrera Coupe	\$2,250
					Carrera S Coupe	\$2,250