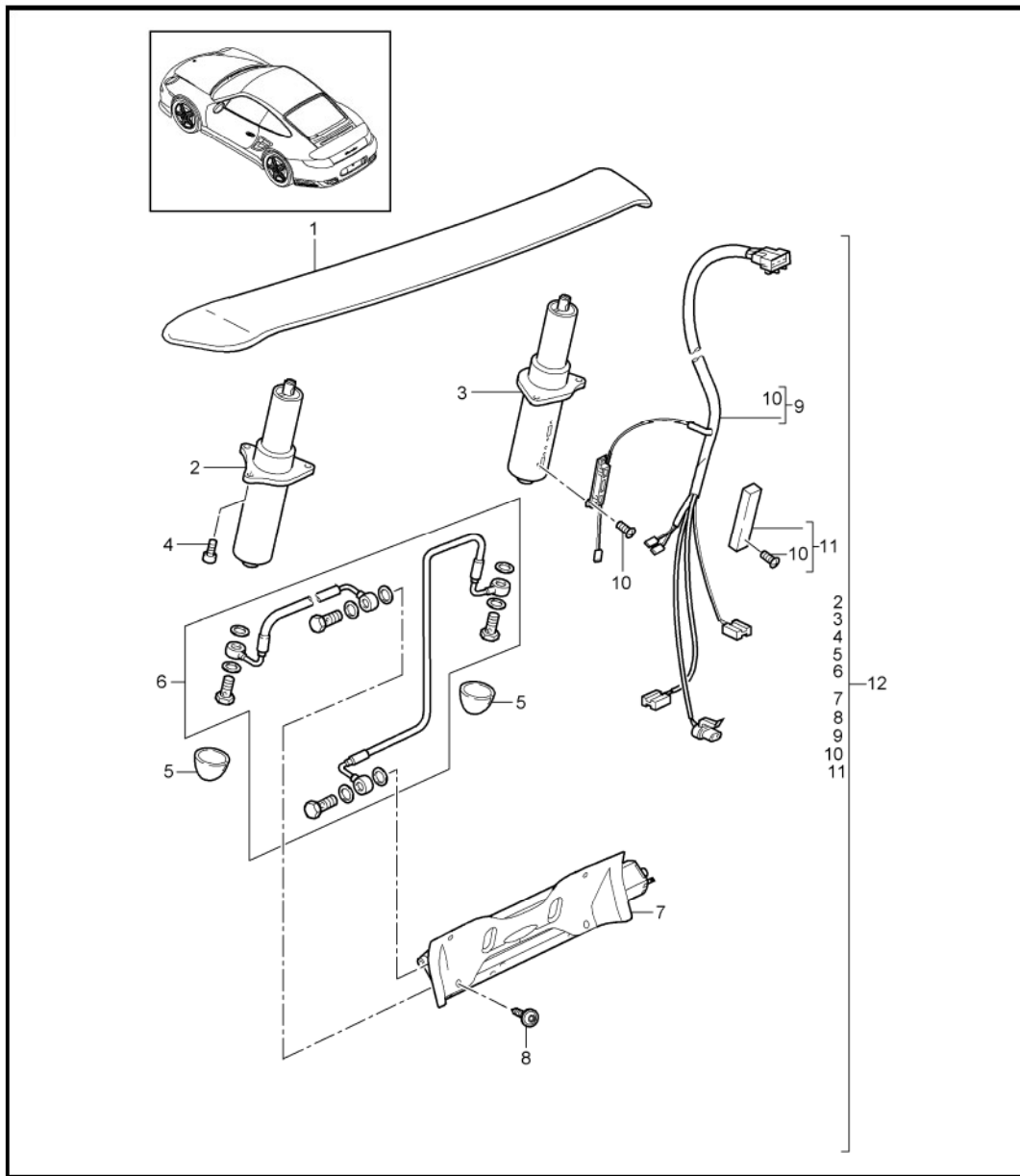


Model	Year	MG	SG	Illustration	Restrictions	UPD	20:23	06.02.2010	PORSCHE	PET	PORSCHE
997T2	2010	8	03	803-07		248	USA / CANADA				



Pos	Part Number	Description	Remark	Qty	Model
		rear spoiler			
1	997 512 901 00	rear spoiler prime coated		1	
2	997 512 951 00	hinge	/L	1	COUPE
(2)	997 512 951 01	hinge	/L	1	CABRIO
3	997 512 952 00	hinge	/R	1	COUPE
(3)	997 512 952 01	hinge	/R	1	CABRIO
4	900 387 003 09	combination screw M6 X 25		6	
5	996 512 617 00	cap hinge		1	
6	997 512 915 00	hydraulic line set		1	
7	997 512 943 00	pump with support		1	
8	999 073 152 09	oval-head screw M6 X 18		4	
9	997 622 970 00	repair kit wiring harness with microswitch		1	COUPE
(9)	997 622 971 00	repair kit wiring harness with microswitch		1	CABRIO
10	999 919 002 02	oval-head screw 3,0 X 6,0		2	
11	997 613 248 00	cap microswitch		1	
12	997 512 111 00	driving mechanism		1	COUPE
12	997 512 111 01	driving mechanism complete		1	CABRIO