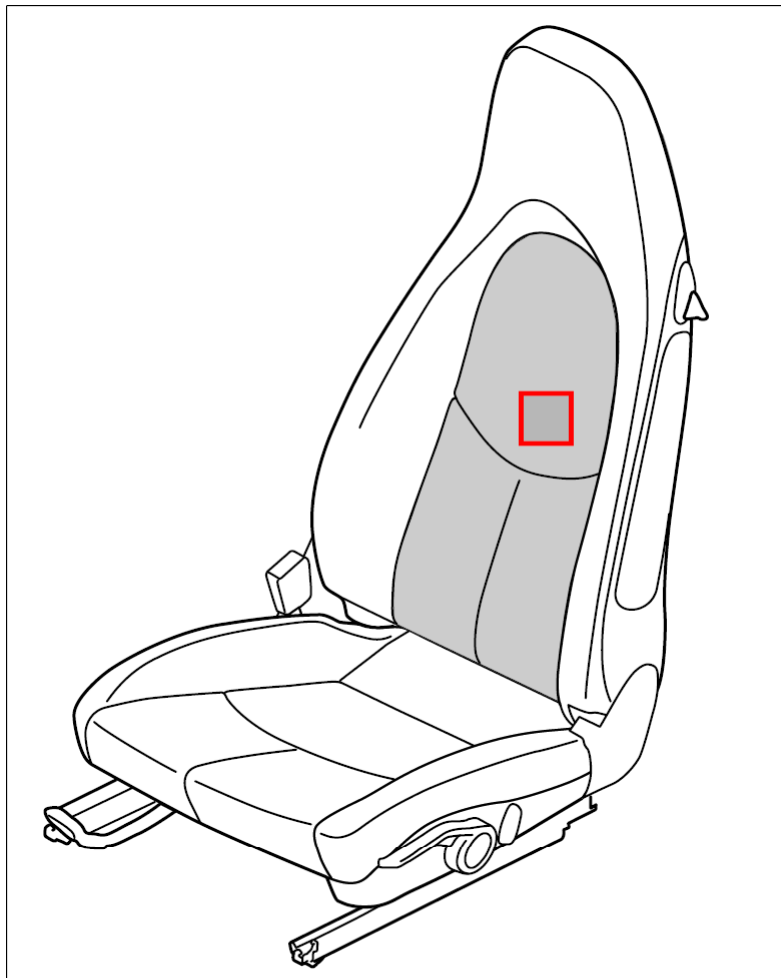


The present document was valid at the time of print. A later version may be available online

WM 742019 Removing and installing cover for front middle backrest (air-conditioned comfort seat)

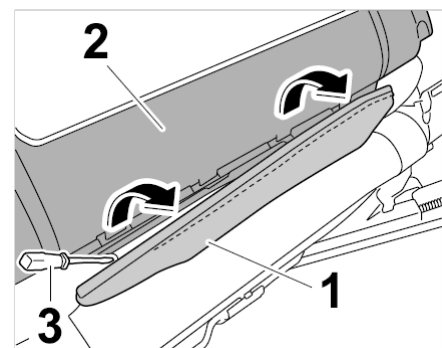
Removing cover for front middle backrest

Removing cover for front middle backrest



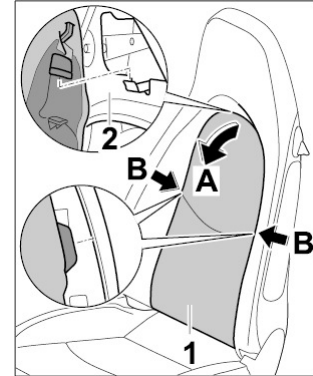
Installation position of cover for front middle backrest

1. Release rear cover.



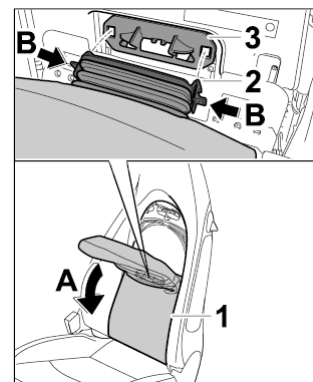
Releasing rear cover

- 1.1. Carefully press cover **-1-** out of the backrest shell **-2-** using a screwdriver **-3-** (**-arrows-**).
2. Release cover at the front.



Releasing cover at the front

- 2.1. Insert your hand into the top of the cover **-1-** and disengage it by pulling it up out of the backrest frame **-2-** (**-arrow A-**).
- 2.2. Press cover **-1-** together slightly at the sides **-arrows B-** and disengage it.
3. Release intake plenum.



Releasing intake plenum

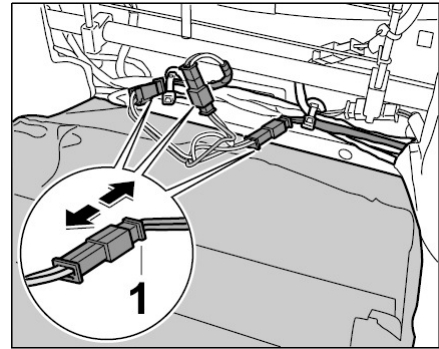
- 3.1. Fold cover **-1-** forward slightly at the top **-arrow A-** .
- 3.2. Release intake plenum **-2-** from the air duct **-3-** by pressing in the locking lugs **-arrows B-** .



Information

Mark plug connection assignment before disconnecting the plug connections.

4. Disconnect plug connections.



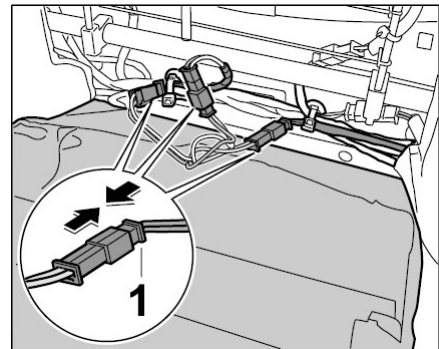
Disconnecting plug connections

- 4.1. Disconnect plug connections for backrest seat heating **-1-** (**-arrows-**).

Installing cover for front middle backrest

Installing cover for front middle backrest

1. Place cover on the seat surface and plug in the plug connections for backrest seat heating **-1-** (**-arrows-**).



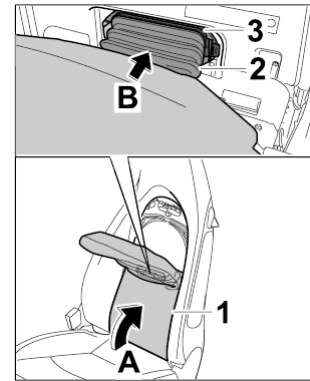
Connecting plug connections



Information

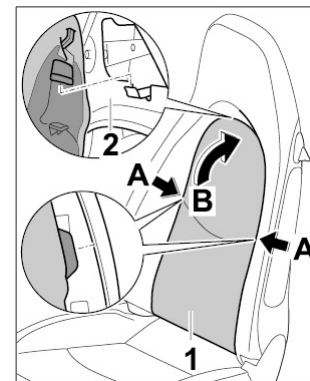
Make sure that the connections are plugged in fully.

2. Lock the intake plenum.



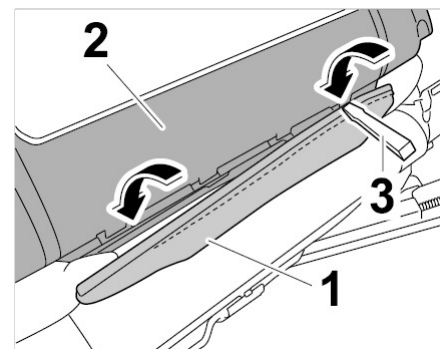
Locking intake plenum connection

- 2.1. Fold up cover **-1-** (**-arrow A-**).
- 2.2. Press intake plenum **-2-** into the air duct **-3-** (**-arrow B-**) until the locking lugs lock with an audible click.
3. Secure front cover.



Securing front cover

- 3.1. Press in cover **-1-** in the middle **-arrows A-** until the locking lugs at the side engage.
- 3.2. Engage cover **-1-** at the top of the backrest frame **-2-** (**-arrow B-**).
4. Secure cover at the back.



Securing cover

- 4.1. Press cover **-1-** into the backrest shell **-2-** at the bottom using a plastic wedge **-3-** (**-arrows-**) until it locks with an audible click.

997110, 997111, 997120, 997121, 997150, 997151, 997160, 997161, 997170, 997310, 997311, 997320, 997321, 997350, 997351, 997360, 997361, 997370, 997410, 997411, 997420, 997421, 997430, 997431, 997450, 997451, 997460, 997461, 997510, 997511, 997520, 997521, 997560, 997561, 997610, 997611, 997620, 997621, 997630, 997631, 997650, 997651, 997660, 997661, 997720, 997721

Model year as of 2005

C00, C02, C05, C06, C07, C08, C09, C10, C11, C12, C13, C14, C15, C16, C17, C18, C19, C20, C21, C22, C23, C24, C25, C26, C27, C28, C32, C33, C34, C35, C36, C37, C38, C39, C41, C45, C45, C46, C96, C97, C98, C99