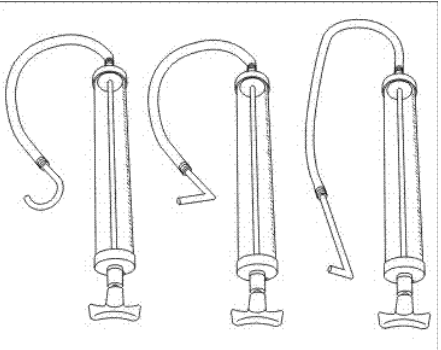


The present document was valid at the time of print. A later version may be available online

## WM 370255 Changing ATF (clutch fluid)

### Tools

Designation	Type	Number	Description	
manual metering pump	Workshop equipment	WE 1372	HDP 500 Porsche PDK	

### Technical values

Location	Description		Basic value	Tolerance 1	Tolerance 2
Porsche Doppelkupplung		Total filling capacity	5.2 litres		
Porsche Doppelkupplung	Fill according to oil filling specifications!	Change quantity	0 litres		
ATF oil drain plug		torque	15 Nm (11 ftlb.)	+3 Nm (+2 ftlb.)	

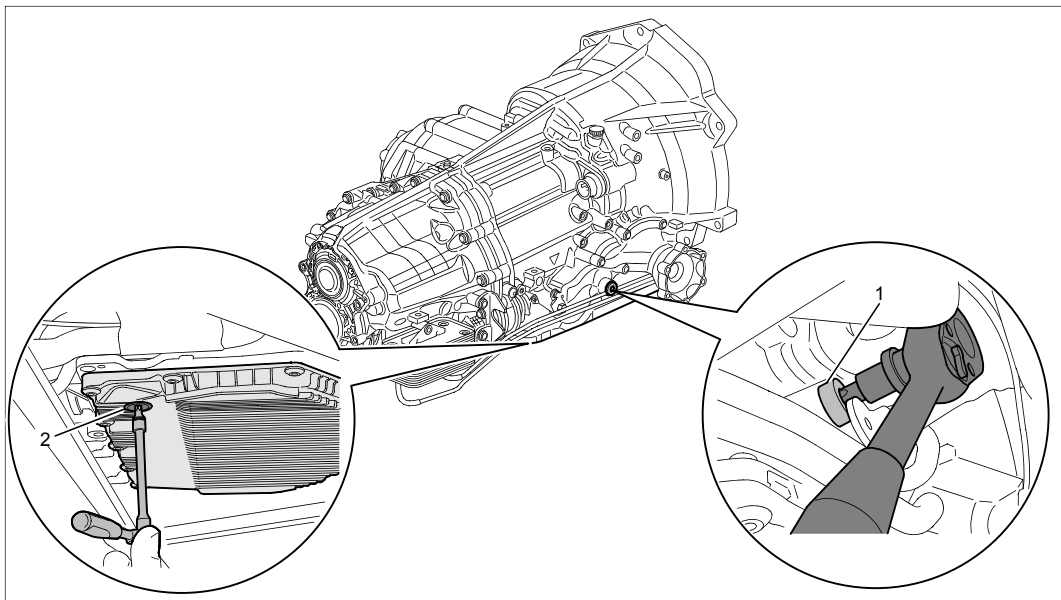
## Information

### Information



#### Information

If a vehicle fitted with the Porsche Doppelkupplung was not moved for more than 5 years, the ATF must be changed irrespective of the mileage driven since the last ATF change.



Overview of ATF oil

- 1 - ATF oil filler screw
- 2 - ATF oil drain plug

## Technical values

### Technical values

Location	Description	Type	Basic value	Tolerance 1	Tolerance 2
Porsche Doppelkupplung		Total filling capacity	5.2 litres		
Porsche Doppelkupplung	Fill according to oil filling specifications!	Change quantity	0 litres		

## Preliminary work

### Preliminary work

1. Raise the vehicle at the prescribed jacking points.  
→ 4X00IN01 *Lifting the vehicle*
2. Remove underbody panelling.  
→ 519419 *Removing and installing rear cover - Removing*
3. Place oil collection pan under the transmission.

## Changing ATF clutch fluid

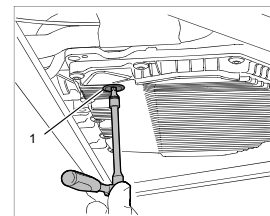
### Draining ATF clutch fluid

1. Drain ATF oil.
  - 1.1. Unscrew ATF oil drain plug -1- and drain ATF oil.



#### Hot fluid

- **Danger of scalding**
- Let the fluid cool down.
- Wear personal protective gear.



*ATF oil drain plug*

- 1.2. Tighten new ATF oil drain plug -1- .  
→ **Tightening torque: 15 Nm (11 ftlb.)+3 Nm (+2 ftlb.)**

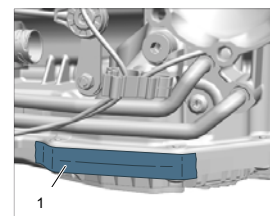
### Filling ATF clutch fluid

1. Fill in ATF oil.



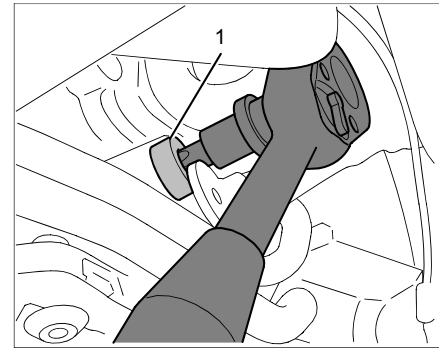
#### Information

Affix adhesive tape -1- to the area between the transmission housing and ATF pan to prevent dirt from getting into the oil pan.



*Adhesive tape on transmission*

- 1.1. Unscrew ATF oil filler screw -1- .



ATF oil filler screw

- 1.2. Fill in ATF oil at the oil filler bore using **manual metering pump WE 1372** until ATF oil emerges.



### Information

ATF specifications for Porsche Doppelkupplung (PDK):

- *Storage: Store in a dry place, away from direct sunlight, at a temperature not less than -40 °C and not higher than +50 °C*
- *Storage time: 5 years from fill date on container*
- *Before using oil: Shake the container well for at least 10 seconds.*



### Information

Only use oil approved by Porsche in the Porsche Doppelkupplung, see Parts Catalogue.

- 1.3. Screw in and tighten ATF oil filler screw **-1-** .

The Porsche Doppelkupplung must then be prepared and the ATF oil level checked.  
 → 370235 *Checking and topping up ATF*

## Subsequent work

### Subsequent work

1. Install underbody panelling.

→ 519419 *Removing and installing rear cover - Installing*

---

997110, 997111, 997120, 997121, 997310, 997311, 997320, 997321, 997410, 997411, 997420, 997421, 997430, 997431, 997510, 997511, 997520, 997521, 997610, 997611, 997620, 997621, 997630, 997631, 997170, 997460, 997461, 997560, 997561, 997150, 997151, 997350, 997351, 997370, 997660, 997661,

997720, 997721, 997160, 997161, 997360, 997361, 997450, 997451, 997470, 997471, 997480, 997481,  
997650, 997651, 997670, 997671, 997680, 997681

Model year as of 2009

C00, C02, C05, C06, C07, C08, C09, C10, C11, C12, C13, C14, C15, C16, C17, C18, C19, C20, C21, C22,  
C23, C24, C25, C26, C27, C28, C32, C33, C34, C35, C36, C37, C38, C39, C41, C45, C46, C96, C97, C98,  
C99