

PORSCHE

Carrera Turbo

\$118,400

Standard equipment includes:

3.6 Liter turbo charged 6 cylinder engine producing 415 Horsepower.
6-speed manual transmission with double inertia flywheel and hydraulic clutch.
Motronic electronic accelerator pedal with solid-state distribution.
All time All-Wheel-Drive
18" Pressure-cast alloy Turbo wheels.
Anti-lock braking system (ABS).
Porsche Stability Management (PSM)
Active Brake Differential (ABD)
Traction Control (ASR)
Drag Torque Control (MSR)
Twin exhaust pipes.
Braking system with 4-piston fixed alloy calipers and ventilated brake disks.
Automatic power windows with tip up/down.
Outside mirrors are electrically adjustable and heated.
Automatically deployed rear spoiler.
Integrated third brake light.
64-liter gas tank.
Driver and passenger front and side airbags.
Seatbelt pretensioner with belt-force limitation.
Immobilizer System with transponder system for safety protection.
Central locking with remote control and alarm.
Lockage glove box.
Roofliner in Alcantara.
Split folding rear seats.
Automatic full climate control.
Extractable cup-holder in front center console.
Digital Radio with in dash CD.

Porsche Cars North America United States Order Guide Model Year 2004

Option prices, content, availability and relationships
are subject to change without notice.

PORSCHE

2004 Carrera Turbo Order Guide

Standard Paint

<i>Option</i>	<i>Description</i>	<i>Conflicts With</i>	<i>Requires</i>	<i>Must Pick One</i>	<i>Retail Price</i>
A1	Black				\$0
B4	Carrera White				\$0
G1	Guards Red				\$0
X4	Speed Yellow				\$0

Thursday, October 09, 2003

*Option Pricing, Content, Availability, and Relationships are
subject to change without notice.*

PORSCHE

2004 Carrera Turbo Order Guide

Optional Metallic Paint

<i>Option</i>	<i>Description</i>	<i>Conflicts With</i>	<i>Requires</i>	<i>Must Pick One</i>	<i>Retail Price</i>
E4	Carmon Red Metallic				\$0
E7	Atlas Grey Metallic				\$0
E9	Midnight Blue Metallic				\$0
G4	Dark Teal Metallic				\$0
J2	Lapis Blue Metallic				\$0
X1	Arctic Silver Metallic				\$0
Y1	Seal Grey Metallic				\$0
Z4	Basalt Black Metallic				\$0

Thursday, October 09, 2003

*Option Pricing, Content, Availability, and Relationships are
subject to change without notice.*

PORSCHE

2004 Carrera Turbo Order Guide

Special Paint

<i>Option</i>	<i>Description</i>	<i>Conflicts With</i>	<i>Requires</i>	<i>Must Pick One</i>	<i>Retail Price</i>
53	Forest Green Metallic				\$2,245
56	Cobalt Blue Metallic				\$2,245
58	Polar Silver Metallic				\$2,245
59	Slate Grey Metallic				\$2,245
64	Meridian Metallic				\$2,245

Thursday, October 09, 2003

*Option Pricing, Content, Availability, and Relationships are
subject to change without notice.*

PORSCHE

2004 Carrera Turbo Order Guide

Paint to Sample

<i>Option</i>	<i>Description</i>	<i>Conflicts With</i>	<i>Requires</i>	<i>Must Pick One</i>	<i>Retail Price</i>
98	<i>Non-Metallic Paint to Sample</i> This option usually results in a production delay of 3 to 6 months. Not all color request can be fulfilled and Porsche may require the customer or dealership to supply a paint sample or paint code in order to conduct feasibility testing. The deadline for submission of MY04 Paint to Sample orders will be approximately February 15, 2004. Contact PCNA for further details and confirmation of deadline.	XSA			\$3,490
99	<i>Metallic Paint to Sample</i> This option usually results in a production delay of 3 to 6 months. Not all color request can be fulfilled and Porsche may require the customer or dealership to supply a paint sample or paint code in order to conduct feasibility testing. The deadline for submission of MY04 Paint to Sample orders will be approximately February 15, 2004. Contact PCNA for further details and confirmation of deadline.	XSA			\$3,490

Thursday, October 09, 2003

Option Pricing, Content, Availability, and Relationships are subject to change without notice.

PORSCHE

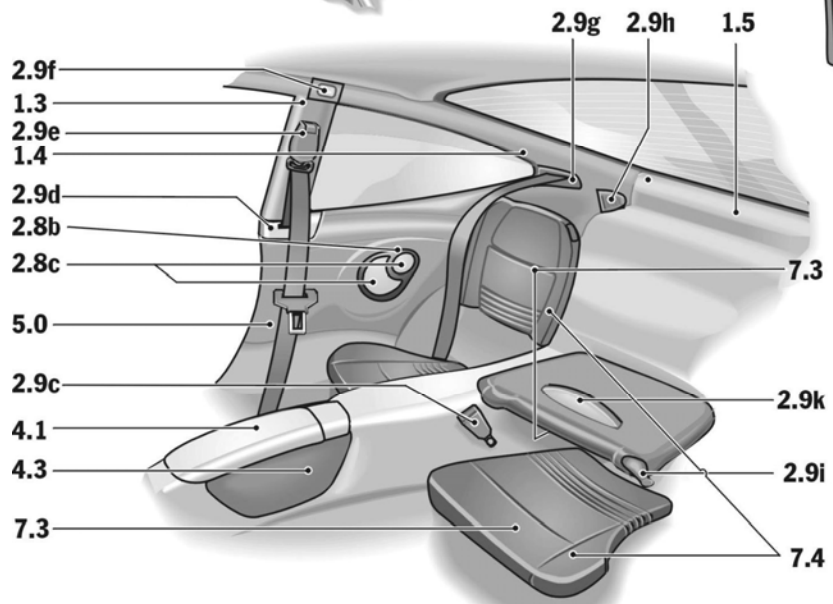
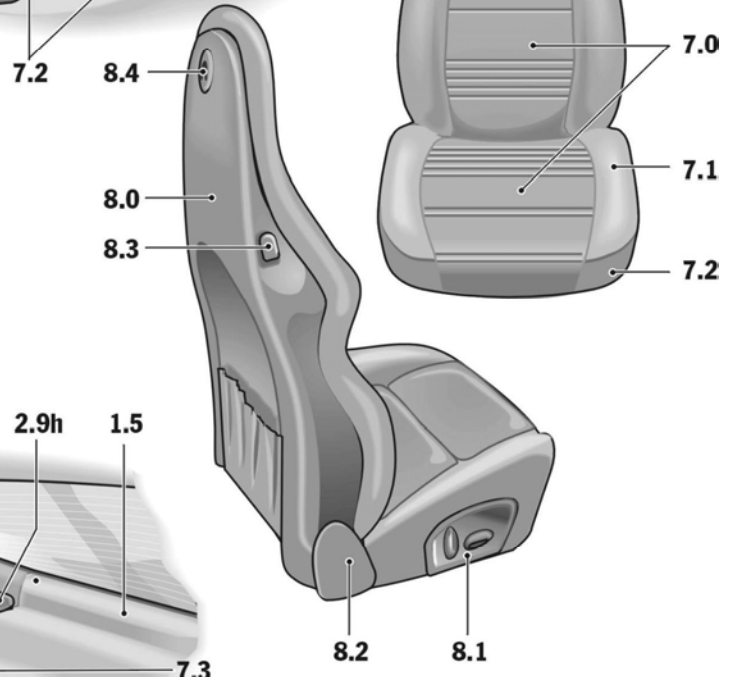
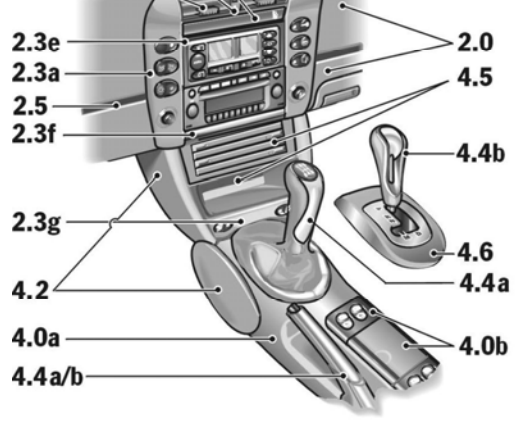
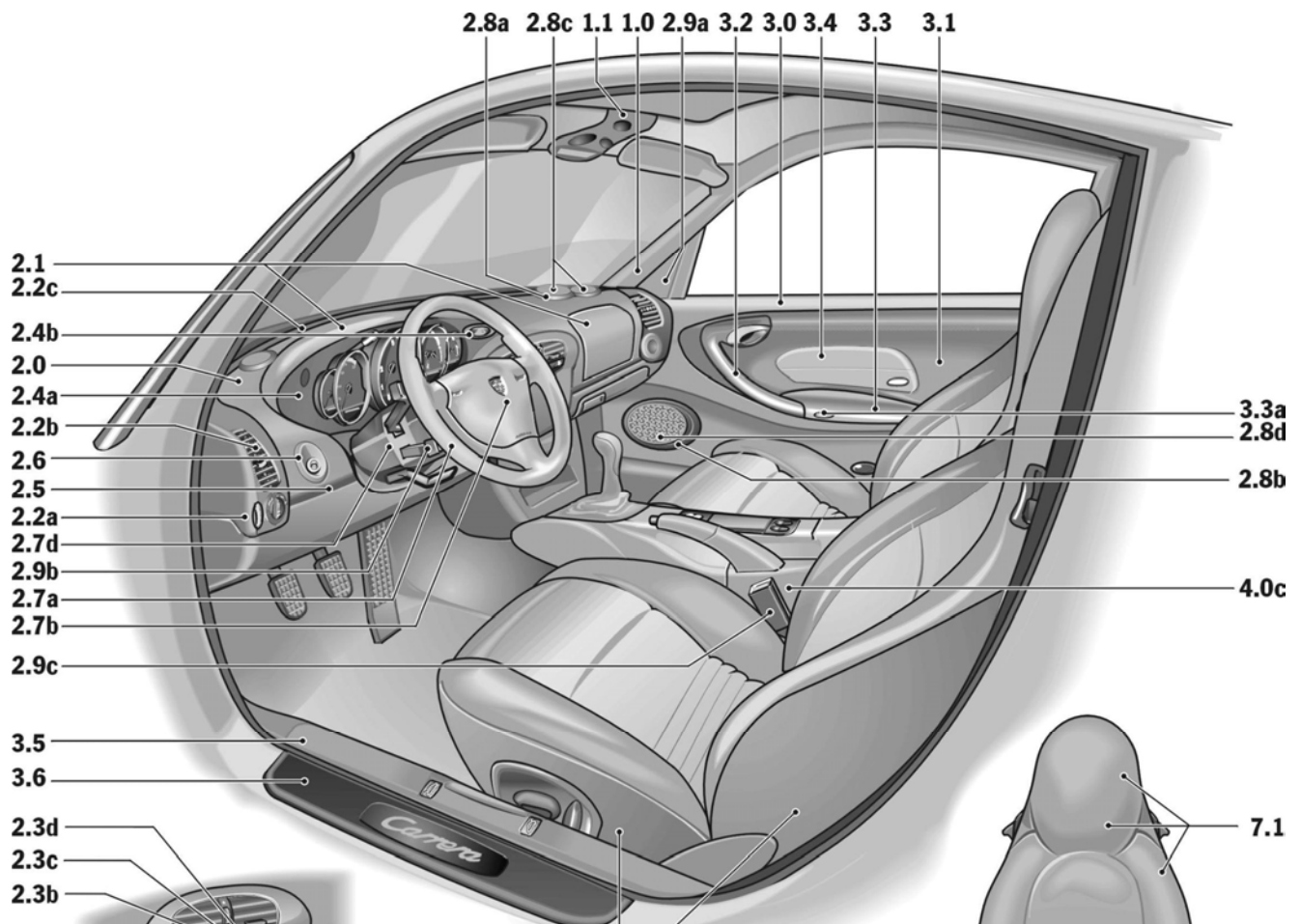
2004 Carrera Turbo Order Guide

Wheels

<i>Option</i>	<i>Description</i>	<i>Conflicts With</i>	<i>Requires</i>	<i>Must Pick One</i>	<i>Retail Price</i>
XRC	18" Sport Techno Wheel 8 x 18 225/40 ZR 18 Front 11 x 18 295/30 ZR 18 Rear				\$1,810

Thursday, October 09, 2003

*Option Pricing, Content, Availability, and Relationships are
subject to change without notice.*



911(996)

911 Interior Part Location Numbers and Descriptions

Location	Description	Location	Description
1.0	A-pillar/windscreen frame trim	3.0	Door trim
1.1	Interior light surround	3.1	Door panel
1.3	B-pillar trim	3.2	Front of door handle
1.4	C-pillar trim	3.3	Lid of door storage bin
1.5	Rear panel trim	3.4	Side airbag cover
		3.5	Inner door sill trim
2.0	Dash (upper and lower sections)	3.6	Door sill guard
2.1	Instrument cover/airbag cover		
		4.0a	Rear section of centre console
2.2a	Side air vents (including temperature sensor surround and headlamp levelling trim)	4.0b	Switch trim (including ashtray cover)
2.2b	Side air vents slats (including adjusters)	4.0c	Handbrake finish
2.2c	Defroster trim		
		4.1	Lid of storage bin in rear section of center console
2.3a	Switch trim central air vent mounting	4.2	Center console side trim, front (right/left)
2.3b	Central air vent slats (including adjuster)	4.3	Center console side trim, rear, (right/left)
2.3c	T-divider under the middle vent		
2.3d	Cupholder trim	4.4a	Gear lever and handbrake lever
2.3e	Climate control surround	4.4b	Tiptronic gear selector and handbrake lever
2.3f	Central air vent divider		
2.3g	Lower switch trim	4.5	Front section of center console
		4.6	Tiptronic gear selector gate
2.4a	Instrument surround	5.0	Side trim, rear seat area
2.4b	Hazard warning light surround		
			Standard seats
2.5	Trim strip (three-part)	7.0	Seat center
2.6	Ignition lock surround	7.1	Lateral supports and head restraints
		7.2	Seat base
2.7a	Steering wheel rim	7.3	Seat center, rear
2.7b	Passenger airbag cover	7.4	Lateral supports, rear
2.7c	Steering wheel hub cover - not shown	7.5	Clothes hook
2.7d	Steering column casing		
			Sport seats
2.8a	Loudspeaker covers on the dash	8.0	Backrest
2.8b	Loudspeaker covers on doors/at rear	8.1	Seat controls
2.8c	Loudspeaker grills on dash at rear	8.2	Hinge trim
2.8d	Loudspeaker grills on doors	8.3	Release lever (also on standard seat)
		8.4	Clothes hook
2.9a	Mirror attachment point (including mirror controls)		
2.9b	Control stalks		
2.9c	Belt buckles (front/rear)		
2.9d	Belt outlets on B-pillars (left/right)		
2.9e	Release levers on rear seat backrests		

PORSCHE

2004 Carrera Turbo Order Guide

Full Leather

<i>Option</i>	<i>Description</i>	<i>Conflicts With</i>	<i>Requires</i>	<i>Must Pick One</i>	<i>Retail Price</i>
AH	Black Full Leather				\$0
CZ	Graphite Grey Full Leather				\$0
EX	Metropol Blue Full Leather				\$0
SD	Savanna Beige Full Leather Items finished in leather: A-pillar/windscreen frame trim (1.0), B-pillar trim (1.3), C-pillar trim (1.4), rear panel trim (1.5), switch panel (2.0), instrument cover/airbag cover (2.1), steering wheel rim (2.7a), airbag module (2.7b), door trim (3.0), door panel (3.1), front of door handle (3.2), glove box cover (3.3), side airbag cover (3.4), lid of storage bin (4.1), gear lever/Tiptronic gear selector and handbrake lever (4.4a/4.4b), Tiptronic gear selector gate (4.6), front center console side trim (4.2), rear center console side trim (4.3), rear seat area side trim (5.0), seat center (7.0), lateral supports and head restraints (7.1), rear seat centers (7.3), and rear seat lateral supports (7.4). Steering column (2.7d) in soft touch paint. Sun visors in leatherette. Rooflining in Alcantara in interior color.				\$0

Thursday, October 09, 2003

Option Pricing, Content, Availability, and Relationships are subject to change without notice.

PORSCHE

2004 Carrera Turbo Order Guide

Special Leather

<i>Option</i>	<i>Description</i>	<i>Conflicts With</i>	<i>Requires</i>	<i>Must Pick One</i>	<i>Retail Price</i>
03	Natural Leather Grey				\$1,510
04	Natural Leather Brown				\$1,510
ME	Boxster Red Special Leather				\$445
PG	Cinnamon Brown Special Leather Items finished in leather: A-pillar/windscreen frame trim (1.0), B-pillar trim (1.3), C-pillar trim (1.4), rear panel trim (1.5), switch panel (2.0), instrument cover/airbag cover (2.1), steering wheel rim (2.7a), airbag module (2.7b), door trim (3.0), door panel (3.1), front of door handle (3.2), glove box cover (3.3), side airbag cover (3.4), lid of storage bin (4.1), gear lever/Tiptronic gear selector and handbrake lever (4.4a/4.4b), Tiptronic gear selector gate (4.6), front center console side trim (4.2), rear center console side trim (4.3), rear seat area side trim (5.0), seat center (7.0), lateral supports and head restraints (7.1), rear seat centers (7.3), and rear seat lateral supports (7.4). Steering column (2.7d) in soft touch paint. Sun visors in leatherette. Rooflining in Alcantara in interior color.				\$445

Thursday, October 09, 2003

Option Pricing, Content, Availability, and Relationships are subject to change without notice.

PORSCHE

2004 Carrera Turbo Order Guide

Leather to Sample

<i>Option</i>	<i>Description</i>	<i>Conflicts With</i>	<i>Requires</i>	<i>Must Pick One</i>	<i>Retail Price</i>
99	<i>Leather Interior to Sample</i> This option usually results in a production delay of 3 to 6 months. An interior sketch is required. Not all leather requests can be fulfilled and Porsche may require the customer or dealership to supply a leather sample or previous interior code in order to conduct feasibility testing. The deadline for submission of MY04 Leather to Sample orders will be approximately February 15, 2004. Contact PCNA for further details and confirmation of the deadline.	XSA			\$1,750

Thursday, October 09, 2003

*Option Pricing, Content, Availability, and Relationships are
subject to change without notice.*

PORSCHE

2004 Carrera Turbo Order Guide

Floormats

<i>Option</i>	<i>Description</i>	<i>Conflicts With</i>	<i>Requires</i>	<i>Must Pick One</i>	<i>Retail Price</i>
M6A	Black Mats - Porsche lettering	M6F M6H M6J M6M M6P M6S XX1			\$115
M6F	Metropol Blue Floor Mat	M6A M6H M6J M6M M6P M6S XX1			\$115
M6H	Natural Brown Floor Mats	M6A M6F M6J M6M M6P M6S XX1			\$115
M6J	Nephrite Green Floor Mat	M6A M6F M6H M6M M6P M6S XX1			\$115
M6K	Natural Grey Floor Mat	M6A M6F M6H M6J M6M M6S XX1 M6P			\$115

Thursday, October 09, 2003

*Option Pricing, Content, Availability, and Relationships are
subject to change without notice.*

PORSCHE

2004 Carrera Turbo Order Guide

Floormats

<i>Option</i>	<i>Description</i>	<i>Conflicts With</i>	<i>Requires</i>	<i>Must Pick One</i>	<i>Retail Price</i>
M6M	Boxster Red Floor Mats	M6A M6F M6H M6J M6P M6S XX1			\$115
M6P	Graphite Grey Floor Mat	M6A M6F M6H M6J M6M M6S XX1			\$115
M6S	Savanna Beige Floor Mats	M6A M6F M6H M6J M6M M6P XX1			\$115
XX1	Front Floor Mats w/"Porsche" Floor mats with leather binding. The color of the floor mats corresponds to the interior color of the carpet. Note: Natural Grey will come with black floor mats.	M6F M6H M6J M6M M6P M6S M6A			\$425

Thursday, October 09, 2003

Option Pricing, Content, Availability, and Relationships are subject to change without notice.

PORSCHE

2004 Carrera Turbo Order Guide

Packages

<i>Option</i>	<i>Description</i>	<i>Conflicts With</i>	<i>Requires</i>	<i>Must Pick One</i>	<i>Retail Price</i>
P81	<i>Performance Plus Package</i> Includes options: 450 Ceramic Brakes (PCCB), CPZ Thicker Steering Wheel, X50 Turbo Powerkit, X54 Stainless Steel Exhaust, XRC 18" Sport Techno Wheel				\$29,280

Thursday, October 09, 2003

*Option Pricing, Content, Availability, and Relationships are
subject to change without notice.*

PORSCHE

2004 Carrera Turbo Order Guide

Radio

<i>Option</i>	<i>Description</i>	<i>Conflicts With</i>	<i>Requires</i>	<i>Must Pick One</i>	<i>Retail Price</i>
692	Remote CD Changer (6 Disc)				\$715

Thursday, October 09, 2003

*Option Pricing, Content, Availability, and Relationships are
subject to change without notice.*

PORSCHE

2004 Carrera Turbo Order Guide

Technical

<i>Option</i>	<i>Description</i>	<i>Conflicts With</i>	<i>Requires</i>	<i>Must Pick One</i>	<i>Retail Price</i>
249	<i>Tiptronic S</i> 5-speed automatic transmission with gear selectors mounted on the steering wheel	Y05 Y06 Y07 Y08			\$3,420
450	<i>Ceramic Composite Brakes-PCCB</i>				\$8,150
549	<i>Roof Transport System</i> 165 lbs. payload				\$400
635	<i>Parking Assist System</i> Parking aid with 4 integrated sensors rear bumper only.				\$530
652	<i>Delete Sunroof</i>				\$0
X50	<i>Turbo Power Kit</i> Includes modified turbo chargers, intercoolers, electronic control units, and transmission.				\$17,880
X54	<i>Stainless Steel Exhaust Pipes</i> Pair of dual tube pipes (four-pipe look) in chrome plated stainless steel with polished finish.	Y29			\$765
XX2	<i>Footwell Lighting</i>				\$735

Thursday, October 09, 2003

Option Pricing, Content, Availability, and Relationships are subject to change without notice.

PORSCHE

2004 Carrera Turbo Order Guide

Seats

<i>Option</i>	<i>Description</i>	<i>Conflicts With</i>	<i>Requires</i>	<i>Must Pick One</i>	<i>Retail Price</i>
342	Heated Front Seats Two stage heated front seats				\$410
513	Lumbar Support-Right Seat	P78			\$385
586	Lumbar Support-Left Seat	P78			\$385
982	Supple Leather Front and Rear Soft ruffled leather on seat center (7.0) and (7.3)	P78		AH CZ EX SD ME PG 03 04 99	\$395
P78	Sport Seats w/Full Leather Int Driver's and Passenger's seats in leather, with backrests finished in black soft-touch paint, manual fore/aft and height adjustment, electric back adjustment	982 513 586			\$0
XSC	Porsche Crest in Headrest				\$220
XSU	Lowered Seats (-10 mm) Thinner seat cushion lowers seat by 10 mm to offer increased headroom. Includes padded head restraints.				\$705

Thursday, October 09, 2003

Option Pricing, Content, Availability, and Relationships are subject to change without notice.

PORSCHE

2004 Carrera Turbo Order Guide

Seats

<i>Option</i>	<i>Description</i>	<i>Conflicts With</i>	<i>Requires</i>	<i>Must Pick One</i>	<i>Retail Price</i>
XSW	Seat Belts - Maritime Blue	XSX XSY			\$540
XSX	Seat Belts - Guards Red	XSY XSW			\$540
XSY	Seat Belts - Speed Yellow	XSX XSW			\$540

Thursday, October 09, 2003

Option Pricing, Content, Availability, and Relationships are subject to change without notice.

PORSCHE

2004 Carrera Turbo Order Guide

Interior Cosmetic

<i>Option</i>	<i>Description</i>	<i>Conflicts With</i>	<i>Requires</i>	<i>Must Pick One</i>	<i>Retail Price</i>
X45	<i>Instrument Dials-Pntd Int Clr</i> Instrument Dials Painted in interior color	AH X71 Y29 C45 99			\$860
X70	<i>Metal Door Sill Model Insignia</i> Door entry guards (3.6) in stainless steel with model logo.	X69 Y29			\$425

Thursday, October 09, 2003

*Option Pricing, Content, Availability, and Relationships are
subject to change without notice.*

PORSCHE

2004 Carrera Turbo Order Guide

Interior Options in Leather

<i>Option</i>	<i>Description</i>	<i>Conflicts With</i>	<i>Requires</i>	<i>Must Pick One</i>	<i>Retail Price</i>
E70	<i>Leather Interior Package</i>				
	Additional leather trim: switch trim central air vent mounting (2.3a), central air vent slats (2.3b), T-divider (2.3c), cupholder trim (2.3d), central air vent divider (2.3f), lower switch trim (2.3g), instrument surround (2.4a), hazard warning light surround (2.4b), trim strip (2.5), ignition lock surround (2.6), side air vents (2.2a), side air vent slats (2.2b), defroster trim including alarm light surround (2.2c), loudspeaker finishers on switch panel (2.8a), loudspeaker finishers on doors and rear (2.8b). Loudspeaker grilles on switch panel (2.8c) and on doors (2.8d) are painted in interior color.	E71 E72 E73 E75 E76 E74 E77 E82 E80		AH EX CZ 99 04 03 PG ME SD	\$2,980
E74	<i>Leather Package - Small</i>				
	Additional leather trim: switch trim central air vent mounting (2.3a), central air vent slats (2.3b), T-divider (2.3c), cupholder trim (2.3d), central air vent divider (2.3f), lower switch trim (2.3g), instrument surround (2.4a), hazard warning light surround (2.4b), trim strip (2.5), and ignition lock surround (2.6).	E71 E72 E73 E70 E75 E76 E82 E77 E80		AH CZ EX SD ME PG 03 04 99	\$1,200
XMA	<i>A/B Pilar/Roof Liner Leather</i>				\$1,410
XMP	<i>Lthr Sun Visors Lighted Mirror</i>				\$560

Thursday, October 09, 2003

Option Pricing, Content, Availability, and Relationships are subject to change without notice.

PORSCHE

2004 Carrera Turbo Order Guide

Interior Options in Leather

<i>Option</i>	<i>Description</i>	<i>Conflicts With</i>	<i>Requires</i>	<i>Must Pick One</i>	<i>Retail Price</i>
XMZ	<i>Rear Center Console - Leather</i> Rear section of center console (4.0a), switch trim (4.0b), handbrake finisher (4.0c), lid of storage bin with decorative seam (4.1) in leather in interior color	XMJ XME XNB XML			\$1,260
XNS	<i>Steering Column Covered Interior Leather</i>			EX SD CZ AH 03 04 PG ME 99	\$315
XPA	<i>3-Spoke Steering Wheel - Interior Leather</i> Finished in leather in interior color: steering wheel rim (2.7a) with crossstitched seam, airbag module (2.7b), hub cover (2.7c), includes airbag.	XPB XPC XPD XPG			\$575
XSB	<i>Sport Seat Backs - Leather Covered Interior</i> Rear of back rests covered in leather to match interior color	XSA	P78		\$1,610
XSD	<i>Seat Adjustment Knobs - Leather</i> Leather finish in interior color: seat controls (8.1), hinge trim with decorative double seam (8.2), and release lever (8.3).				\$820
XTG	<i>Inner Sill Parts / Release - Leather</i> Inner sill finishers (3.5) in leather.				\$585

Thursday, October 09, 2003

Option Pricing, Content, Availability, and Relationships are subject to change without notice.

PORSCHE

2004 Carrera Turbo Order Guide

Interior Options in Leather

<i>Option</i>	<i>Description</i>	<i>Conflicts With</i>	<i>Requires</i>	<i>Must Pick One</i>	<i>Retail Price</i>
XY5	<i>Leather Tiptronic Shift Plate</i> The tiptronic gear selector plate (4.6) in soft touch interior paint with aluminum look inlay.		249		\$425
XZD	<i>Dome Lamp Cover - Leather</i>				\$335

Thursday, October 09, 2003

*Option Pricing, Content, Availability, and Relationships are
subject to change without notice.*

PORSCHE

2004 Carrera Turbo Order Guide

Interior Options in Aluminum Look

<i>Option</i>	<i>Description</i>	<i>Conflicts With</i>	<i>Requires</i>	<i>Must Pick One</i>	<i>Retail Price</i>
E80	<i>Aluminum Look Package Large</i> Painted in aluminum look: central air vent slats (2.3b), instrument surround (2.4a), trim strp (2.5), side air vent slats (2.2b), and loudspeaker grilles on doors (2.8d). Additional leather trim: switch trim central air vent mounting (2.3a), T-divider (2.3c), hazard warning light surround (2.4b), side air vents (2.2a), defroster trim (2.2c), ignition lock surround (2.6), and mirror attachment point finishers (2.9a).	E71 E72 E73 E74 E75 E76 E82 E77 E70 CCU XCA CCV XCC		AH EX CZ 99 04 03 PG ME SD	\$3,440
E82	<i>Aluminum Look Interior Small</i> Painted in aluminum look: central air vent slats (2.3b), instrument surround (2.4a), trim strp (2.5). Additional leather trim: switch trim central air vent mounting (2.3a), T-divider (2.3c), and hazard warning light surround (2.4b).	E71 E72 E73 E74 E75 E76 E70 E77 E80 XCA CCV		AH EX CZ 99 04 03 PG ME SD	\$1,080
X71	<i>Aluminum Instrument Dials</i>	X45 Y29 C45			\$855
XCE	<i>Rear Center Console Alu-Look</i> Aluminum look finish: rear section of center console (4.0a), switch trim (4.0b), and handbrake finisher (4.0c).	XMJ XML XMZ XNB			\$735
Y06	<i>Alum/Lthr Shifter/Brake Handle</i> Gear and handbrake levers in leather with aluminum look inlays (4.4a).	Y05 Y07 Y08 249 Y23 Y61 Y62 Y63			\$885

Thursday, October 09, 2003

Option Pricing, Content, Availability, and Relationships are subject to change without notice.

PORSCHE

2004 Carrera Turbo Order Guide

Interior Options in Aluminum Look

<i>Option</i>	<i>Description</i>	<i>Conflicts With</i>	<i>Requires</i>	<i>Must Pick One</i>	<i>Retail Price</i>
Y23	<i>Aluminum Shifter/Brake Tiptronic</i>				
	Tiptronic gear selector and handbrake lever (4.4b) in leather with aluminum look inlay. The tiptronic gear selector plate (4.6) in soft touch interior paint with aluminum look inlay.	Y06 Y05 Y07 Y08 Y61 Y62 Y63	249		\$740
Y29	<i>Aluminum/Chrome X71,X70,X54</i>				
	Door entry guards in stainless steel X70, stainless steel exhaust pipes X54, and instrument dials in aluminum look X71.	X54 X71 X70 X45 X69 C45			\$1,885

Thursday, October 09, 2003

*Option Pricing, Content, Availability, and Relationships are
subject to change without notice.*

PORSCHE

2004 Carrera Turbo Order Guide

Interior Options in Carbon

<i>Option</i>	<i>Description</i>	<i>Conflicts With</i>	<i>Requires</i>	<i>Must Pick One</i>	<i>Retail Price</i>
E73	<i>Carbon Interior Package</i>				
	Finished carbon fiber: switch trim central air vent mounting (2.3a), central air vent divider (2.3f), lower switch trim (2.3g), instrument surround (2.4a), trim strip (2.5), side air vents (2.2a), defroster trim (2.2c), loudspeaker finishers on doors and at rear (2.8b), front of door handle (3.2), lid of storage bin (3.3). Additional leather trim: central air vent slats (2.3b), T-divider (2.3c) cupholder trim (2.3d), hazzard warning light surround (2.4b), and ignition lock surround (2.6), side air vent slats (2.2b), loudspeaker finishers on switch panel (2.8a), mirror attachment point finishers (2.9a). Panted in interior color: loudspeaker grilles on switch panel (2.8c) and on doors (2.8d).	E80 E82 XPB XPC Y07 Y08 E70 E71 E72 E74 E75 E76 E77		AH EX CZ 99 04 03 PG ME SD	\$6,220
E77	<i>Carbon Package - Small</i>				
	Finished in carbon fiber: switch trim central air vent mounting (2.3a), central air vent divider (2.3f), lower switch trim (2.3g), instrument surround (2.4a), trim strip (2.5). Additional leather trim: central air vent slats (2.3b), T-divider (2.3c), cupholder trim (2.3d), hazzard warning light surround (2.4b), and ignition lock surround (2.6).	E70 E71 E72 E73 E74 E75 E76 E80 E82 XPC Y08 Y63 XNB XPB Y07 Y62 XML		AH EX CZ 99 04 03 PG ME SD	\$2,120
X69	<i>Carbon Door Sil Model Insignia</i>				
	Door entry guards (3.6) in carbon with model logo.	X70 Y29			\$780

Thursday, October 09, 2003

Option Pricing, Content, Availability, and Relationships are subject to change without notice.

PORSCHE

2004 Carrera Turbo Order Guide

Interior Options in Carbon

<i>Option</i>	<i>Description</i>	<i>Conflicts With</i>	<i>Requires</i>	<i>Must Pick One</i>	<i>Retail Price</i>
XMJ	Rear Center Console - Carbon Carbon Fiber finish: rear section of center console (4.0a), switch trim (4.0b), and handbrake finisher (4.0c).	XPC XNB XME Y08 Y07 Y62 XML XPB XCE XMZ		AH EX CZ 04 03 PG ME SD 99	\$1,625
XPD	3-Spoke Str Whl-Carbon/Leather Carbon Fiber finish on steering wheel rim (2.7a). Leather finish on airbag module (2.7b) and hub cover (2.7c).	Y08 Y07 E75 E76 XPA XPB XPC Y63 Y62 E71 E72			\$1,205
XPG	3-Spoke Str Whl-Aluminium Look Aluminum look finish on steering wheel rim (2.7a). Leather finish on airbag module (2.7b) and hub cover (2.7c).	XPB XPC XPD XPA			\$1,080
Y05	Brake/Shifter Carbon/Aluminum Carbon finish with leather and aluminium inlays on gear and handbrake lever (4.4a).	Y06 Y07 Y08 XPC XPB E75 E76 E71 E72 XML			\$880
Y61	Carbon/Alumimum Tip Knob/Brake Tiptronic gear selector and handbrake lever in carbon with leather and aluminium inlays (4.4b).	Y08 XNB XPC Y07 Y62 XML XPB Y63	249		\$735

Thursday, October 09, 2003

Option Pricing, Content, Availability, and Relationships are subject to change without notice.

PORSCHE

2004 Carrera Turbo Order Guide

Interior Options in Light Wood

<i>Option</i>	<i>Description</i>	<i>Conflicts With</i>	<i>Requires</i>	<i>Must Pick One</i>	<i>Retail Price</i>
E71	<i>Light Wood Interior Package</i>				
	Finished in light burr maple: switch trim central air vent mounting (2.3a), central air vent divider (2.3f), lower switch trim (2.3g), instrument surround (2.4a), trim strip (2.5), side air vents (2.2a), defroster trim (2.2c), loudspeaker finishers on doors and at rear (2.8b), front of door handle (3.2), lid of storage bin (3.3). Additional leather trim: central air vent slats (2.3b), T-divider (2.3c) cupholder trim (2.3d), hazzard warning light surround (2.4b), and ignition lock surround (2.6), side air vent slats (2.2b), loudspeaker finishers on switch panel (2.8a), mirror attachment point finishers (2.9a). Panted in interior color: loudspeaker grilles on switch panel (2.8c) and on doors (2.8d).	E70 E72 E73 E74 E75 E76 E77 E80 E82 XPC XPD Y08 Y05 XCE XPG		AH EX CZ 99 04 03 PG ME SD	\$6,220
E75	<i>Light Wood Package - Small</i>				
	Finished in light burr maple: switch trim central air vent mounting (2.3a), central air vent divider (2.3f), lower switch trim (2.3g), instrument surround (2.4a), trim strip (2.5). Additional leather trim: central air vent slats (2.3b), T-divider (2.3c), cupholder trim (2.3d), hazzard warning light surround (2.4b), and ignition lock surround (2.6).	E71 E72 E73 E74 E70 E80 E82 E77 XPD XPC Y05 Y08 XCE XPG		AH CZ EX SD ME PG 03 04 99	\$2,120
XML	<i>Rear Center Console - Lt Wood</i>				
	Light burr maple finish: rear section of center console (4.0a), switch trim (4.0b), and handbrake finisher (4.0c).	XCE Y08 Y61 XNB XPC XMZ XME Y05 XMJ XPD			\$1,625

Thursday, October 09, 2003

Option Pricing, Content, Availability, and Relationships are subject to change without notice.

PORSCHE

2004 Carrera Turbo Order Guide

Interior Options in Light Wood

<i>Option</i>	<i>Description</i>	<i>Conflicts With</i>	<i>Requires</i>	<i>Must Pick One</i>	<i>Retail Price</i>
XPB	3-Spoke Str Whl-Lt Wood/Lther Light burr maple finisher on steering wheel rim (2.7a). Leather finish on airbag module (2.7b) and hub cover (2.7c).	XPG Y08 XPA XPC XPD Y63 Y61			\$1,205
Y07	Brake/Shifter Lt Wood/Aluminum Gear and handbrake lever (4.4a) finished in light burr maple with leather and aluminium inlays.	Y05 Y06 Y08 249 XPD XPC XMJ XNB			\$880
Y62	Lt Wood Alum Tip Shifter/Brake Tiptronic gear selector (4.4b) finished in light burr maple with leather and aluminium inlays.	Y05 XMJ XPD Y08 Y63 XNB XPC Y61	249		\$735

Thursday, October 09, 2003

*Option Pricing, Content, Availability, and Relationships are
subject to change without notice.*

PORSCHE

2004 Carrera Turbo Order Guide

Interior Options in Dark Wood

<i>Option</i>	<i>Description</i>	<i>Conflicts With</i>	<i>Requires</i>	<i>Must Pick One</i>	<i>Retail Price</i>
E72	<i>Dark Wood Interior Package</i>				
	Finished in dark burr maple: switch trim central air vent mounting (2.3a), central air vent divider (2.3f), lower switch trim (2.3g), instrument surround (2.4a), trim strip (2.5), side air vents (2.2a), defroster trim (2.2c), loudspeaker finishers on doors and at rear (2.8b), front of door handle (3.2), lid of storage bin (3.3). Additional leather trim: central air vent slats (2.3b), T-divider (2.3c) cupholder trim (2.3d), hazzard warning light surround (2.4b), and ignition lock surround (2.6), side air vent slats (2.2b), loudspeaker finishers on switch panel (2.8a), mirror attachment point finishers (2.9a). Panted in interior color: loudspeaker grilles on switch panel (2.8c) and on doors (2.8d).	E70 E73 E74 E75 E76 E77 E82 XPB XPD Y07 Y05 XCE XPG		AH EX CZ 99 04 03 PG ME SD	\$6,220
E76	<i>Dark Wood Package - Small</i>				
	Finished in dark burr maple: switch trim central air vent mounting (2.3a), central air vent divider (2.3f), lower switch trim (2.3g), instrument surround (2.4a), trim strip (2.5). Additional leather trim: central air vent slats (2.3b), T-divider (2.3c), cupholder trim (2.3d), hazzard warning light surround (2.4b), and ignition lock surround (2.6).	E70 E71 E72 E73 E74 E75 E77 E80 E82 XPD Y05 Y61 XMJ XPB Y07 Y62 XML XCE XPG		AH CZ EX SD ME PG 03 04 99	\$2,120
XNB	<i>Rear Center Console - Drk Wood</i>				
	Dark burr maple finish: rear section of center console (4.0a), switch trim (4.0b), and handbrake finisher (4.0c).	Y07 Y62 XML XPB XCE XMZ XME Y05 Y61 XMJ XPD			\$1,625

Thursday, October 09, 2003

Option Pricing, Content, Availability, and Relationships are subject to change without notice.

PORSCHE

2004 Carrera Turbo Order Guide

Interior Options in Dark Wood

<i>Option</i>	<i>Description</i>	<i>Conflicts With</i>	<i>Requires</i>	<i>Must Pick One</i>	<i>Retail Price</i>
XPC	3-Spoke Str Whl-Drk Wood/Lther Dark burr maple finisher on steering wheel rim (2.7a). Leather finish on airbag module (2.7b) and hub cover (2.7c).	Y07 Y05 XMJ XML XPA XPB XPD			\$1,205
Y08	Brake/Shifter Dk Wood/Aluminum Gear and handbrake lever (4.4a) finished in dark burr maple with leather and aluminium inlays.	Y05 Y06 Y07 249 XPD XPB XMJ XML			\$880
Y63	Dk Wood Alum Tip Knob/Brake Tiptronic gear selector (4.4b) finished in dark burr maple with leather and aluminium inlays.	Y05 XMJ XPD Y07 Y62 XML XPB Y61	249		\$735

Thursday, October 09, 2003

*Option Pricing, Content, Availability, and Relationships are
subject to change without notice.*

PORSCHE

2004 Carrera Turbo Order Guide

Interior Options in Exterior Color

<i>Option</i>	<i>Description</i>	<i>Conflicts With</i>	<i>Requires</i>	<i>Must Pick One</i>	<i>Retail Price</i>
XME	<i>Rear Ctr Cons Painted Extr Clr</i> Rear Center Console (4.0a), switch trim (4.0b), hand brake finisher (4.0c) in exterior color.	XML XMJ XMZ XCE			\$730
XSA	<i>Sport Seats Painted To Match</i> Rear of backrests painted in exterior color.	XSB	P78		\$1,495

Thursday, October 09, 2003

*Option Pricing, Content, Availability, and Relationships are
subject to change without notice.*

PORSCHE

2004 Carrera Turbo Order Guide

Exterior Cosmetic

<i>Option</i>	<i>Description</i>	<i>Conflicts With</i>	<i>Requires</i>	<i>Must Pick One</i>	<i>Retail Price</i>
446	<i>Wheel Caps with Colored Crest</i> <i>Wheel Caps with Colored Porsche Crest</i>	XD9			\$175
498	<i>Delete Model Designation</i>				\$0
XAF	<i>Turbo Aerokit</i> Includes front spoiler, side skirts, and fixed rear wing with integrated third brake light.				\$7,980
XD9	<i>Rims and Caps - Exterior Color</i> Wheels painted in exterior color, includes wheel caps with colored Porsche Crest	446			\$1,550

Thursday, October 09, 2003

Option Pricing, Content, Availability, and Relationships are subject to change without notice.

PORSCHE

2004 Carrera Turbo Order Guide

Custom Tailoring and Deviations - Leather

<i>Option</i>	<i>Description</i>	<i>Conflicts With</i>	<i>Requires</i>	<i>Must Pick One</i>	<i>Retail Price</i>
CPT	<i>Storage Lid Bin W/Porsche Crst</i> Covered with leather in interior color:lid of storage bin of rear section of center console(4.1) incl. extension piece with Porsche crest and two decorative seams.	CUV			\$265
CPU	<i>Key Pouch Interior Color Leath</i> In interior color, with embossed Porsche crest.				\$95
CPZ	<i>Thicker Steering Wheel</i> 		XPC XPD XPG XPB		\$675
CTN	<i>Mirror Attachments Leather</i> Covered with leather in interior color:morrer attachment point finishers (2.9a) incl. mirror controls.				\$250
CUJ	<i>Fuse Box trim Leather</i> Covered with leather in interior color:fuse box trim.				\$95
CUP	<i>Steering Clm Controls Leather</i> Covered with leather in interior color:control stalks (2.9b) for flasher, wiper, on-board computer and cruise control.			XNS	\$490

Thursday, October 09, 2003

Option Pricing, Content, Availability, and Relationships are subject to change without notice.

PORSCHE

2004 Carrera Turbo Order Guide

Custom Tailoring and Deviations - Leather

<i>Option</i>	<i>Description</i>	<i>Conflicts With</i>	<i>Requires</i>	<i>Must Pick One</i>	<i>Retail Price</i>
CUR	<i>PCM Package Leather</i> Covered with leather in interior color:PCM divider, CD storage box(4.5), climate control surround(2.3e), lower switch trim(2.3g).	CUF CCP		AH CZ EX SD ME PG 03 04 99	\$1,490
CUV	<i>Storage Cmpt Lid W/Turbo Logo</i> Covered with leather in interior color:lid of storage bin of rear section of center console(4.1) incl. extension piece with Carrera logo and two decorative seams.	CPT			\$265
CV9	<i>Belt Outlet Leather B Pillar</i> Covered with leather in interior color:belt outlets on B-pillar(left/right;2.9d).	CUY CCW CWE CWF CJJ		AH CZ EX SD ME PG 03 04 99	\$190
CVB	<i>Cupholder Trim In Leather</i> Trim in leather (2.3d).	E70 E73 E71 E72 CCP CUF		E80 E82	\$290
CVC	<i>Clother Hook B Pillar Leather</i> Covered with leather in interior color:clother hooks (left/right;2.9f).	CWC CWD		AH CZ EX SD ME PG 03 04 99	\$260

Thursday, October 09, 2003

Option Pricing, Content, Availability, and Relationships are subject to change without notice.

PORSCHE

2004 Carrera Turbo Order Guide

Custom Tailoring and Deviations - Leather

<i>Option</i>	<i>Description</i>	<i>Conflicts With</i>	<i>Requires</i>	<i>Must Pick One</i>	<i>Retail Price</i>
CVD	<i>Luggage Stop Rear Seat Leather</i> Covered with leather in interior color:luggage stop on rear seat backrest(2.9k), rear section with decorative seam.				\$250
CVJ	<i>Belt Outlet Leather C Pillar</i> Covered with leather in interior color:belt outlets on C-pillars(left/right2.9g).			AH CZ EX SD ME PG 03 04 99	\$180
CVW	<i>Rear View Mirror Leather</i> Covered with leather in interior color:				\$430
CVX	<i>Belt Height Adjust trim Leath</i> Covered with leather in interior color:				\$190
CVY	<i>Clothes Hook Backrest Leather</i> Covered with leather in interior color:clothes hook seat backrest (left/right;8.4).			AH CZ EX SD ME PG 03 04 99	\$220
XN3	<i>Lthr Fresh Air Vents Side Dash</i> Covered with leather in interior color:side air vents (2.2a), includes slats and adjusters(2.2b).	XCC E70 E72 E80 CYY	CYZ E71 E73 CCU	AH CZ EX SD ME PG 03 04 99	\$890

Thursday, October 09, 2003

Option Pricing, Content, Availability, and Relationships are subject to change without notice.

PORSCHE

2004 Carrera Turbo Order Guide

Custom Tailoring and Deviations - Leather

<i>Option</i>	<i>Description</i>	<i>Conflicts With</i>	<i>Requires</i>	<i>Must Pick One</i>	<i>Retail Price</i>
XV1	Leather defroster Cover				\$490

Thursday, October 09, 2003

*Option Pricing, Content, Availability, and Relationships are
subject to change without notice.*

PORSCHE

2004 Carrera Turbo Order Guide

Custom Tailoring and Deviations - Aluminum Look

<i>Option</i>	<i>Description</i>	<i>Conflicts With</i>	<i>Requires</i>	<i>Must Pick One</i>	<i>Retail Price</i>
CCP	<i>PCM Package Alu. Look</i> Painted in aluminum look: slats and adjusters(2.3b), T-divider(2.3c), cupholder trim(2.3d), PCM trim, central air vent divider(2.3f), CD-storage box(4.5), climate control trim(2.3e), lower switch trim(2.3g).	CUF CUR CCV		AH CZ EX SD ME PG 03 04 99	\$1,990
CCT	<i>Door Finishers Alu Look</i> Painted in Alu. Look:front of door handle(3.2), lid of storage bin(3.3). Covered with leather in interior color :opener on lid of door storage bin(3.3a).	CUW E73 E71 E72 E77 E75		AH CZ EX SD ME PG 03 04 99	\$750
CCU	<i>Side Air Vent Slats Alu. Look</i> Painted in Alu. look:slats and adjusters(2.2b). Finished in soft touch paint in interior color:side air vent mounting (2.2a).	CYX CYY XN3 XCC CYZ E70 E80 E71 E72 E73		AH CZ EX SD ME PG 03 04 99	\$530
CCV	<i>Central Air Vent Slats Alu Lk</i> 	CYX CYZ CYY CCP E82		AH CZ EX SD ME PG 03 04 99	\$465
CCW	<i>Belt Outlets B Pillar Alu. Lk</i> Painted in Alu. Look: belt outlet on B-pillar (left/right; 2.9d).	CUY CV9 CWE CWF CJJ		AH CZ EX SD ME PG 03 04 99	\$170

Thursday, October 09, 2003

*Option Pricing, Content, Availability, and Relationships are
subject to change without notice.*

PORSCHE

2004 Carrera Turbo Order Guide

Custom Tailoring and Deviations - Aluminum Look

<i>Option</i>	<i>Description</i>	<i>Conflicts With</i>	<i>Requires</i>	<i>Must Pick One</i>	<i>Retail Price</i>
CCX	<i>Tip Selector Gate Alu Look</i> Painted in aluminum look:gear selector surround incl. gate (4.6)	CJF CJD CJE CJA	249	AH CZ EX SD ME PG 03 04 99	\$320
XCA	<i>Trim Strip Alu. Look</i> Painted in aluminum look:trim strip(three part;2.5)	CPR E73 E71 E72 E74 E77 E80 E75		AH CZ EX SD ME PG 03 04 99	\$680
XCC	<i>Side Air Vents Alu Lk Lthr Mtg</i> Includes slats and adjusters (2.2b). Finished with leather: side air vent mounting (2.2a).	CYX CYZ XN3 E71 E72 E73 E80 CCU CYY		AH CZ EX SD ME PG 03 04 99	\$970

Thursday, October 09, 2003

*Option Pricing, Content, Availability, and Relationships are
subject to change without notice.*

PORSCHE

2004 Carrera Turbo Order Guide

Custom Tailoring and Deviations - Carbon

<i>Option</i>	<i>Description</i>	<i>Conflicts With</i>	<i>Requires</i>	<i>Must Pick One</i>	<i>Retail Price</i>
CJA	<i>Tip Selector Gate Carbon</i> Finished with carbon fiber: Tiptronic gear selector surround. Painted in Alu.look :selector gate.	CJF CJD CJE CCX	249	AH CZ EX SD ME PG 03 04 99	\$450
CJJ	<i>Belt Outlet B Pillar Carbon</i> Finished with carbon fiber: belt outlets on B-pillar (left/right;2.9d).	CUY CV9 CWE CWF CCW		AH CZ EX SD ME PG 03 04 99	\$320

Thursday, October 09, 2003

*Option Pricing, Content, Availability, and Relationships are
subject to change without notice.*

PORSCHE

2004 Carrera Turbo Order Guide

Custom Tailoring and Deviations - Wood

<i>Option</i>	<i>Description</i>	<i>Conflicts With</i>	<i>Requires</i>	<i>Must Pick One</i>	<i>Retail Price</i>
CJD	Tip Select Gate Ligt Mple Burr Finished with burr maple: Tiptronic gear selector surround. Painted in Alu. Look:selector gate.	CJF CCX CJE CJA	249	AH CZ EX SD ME PG 03 04 99	\$450
CJE	Tip Select Gate Drk Maple Burr Finished with burr maple: Tiptronic gear selector surround. Painted in Alu. Look:selector gate.	CJF CJD CCX CJA	249	AH CZ EX SD ME PG 03 04 99	\$450
CWC	Clother Hook B Pillar Lt. Wood				\$250
CWD	Clothes Hook B Pillar Dk. Wood				\$250
CWE	Belt Outlet B Pillar Lt Wood Finished with burr maple: belt outlets on B-pillar (left/right;2.9d).	CUY CV9 CCW CWF CJJ		AH CZ EX SD ME PG 03 04 99	\$320
CWF	Belt Outlet B Pillar Dk Wood Finished with burr maple: belt outlets on B-pillar (left/right;2.9d).	CUY CV9 CWE CCW CJJ		AH CZ EX SD ME PG 03 04 99	\$320

Thursday, October 09, 2003

Option Pricing, Content, Availability, and Relationships are subject to change without notice.

PORSCHE

2004 Carrera Turbo Order Guide

Custom Tailoring and Deviations - Exterior Color

<i>Option</i>	<i>Description</i>	<i>Conflicts With</i>	<i>Requires</i>	<i>Must Pick One</i>	<i>Retail Price</i>
CAZ	Front Air Intakes Painted				\$660
CJF	Tip Gate Selector Ext. Color Painted in exterior color: Tiptronic gear selector surround. Painted in Alu. Look: selector gate.	CCX CJD CJE CJA	249	AH CZ EX SD ME PG 03 04 99	\$290
CKA	Center Air vent Mount Ext. Clr Painted in exterior color: switch trim central air vent mounting(2.3a), Finished with soft touch paint:center air vent divider(2.3f).	CCV XCC		AH CZ EX SD ME PG 03 04 99	\$390
CND	Instrument Panel Ext. Color Painted in exterior color: Instrument panel lower section (2.4a). Finished with leather in interior color:hazard warning light surround(2.4b).	E75 E73 E71 E72 E74 E77 E80		AH CZ EX SD ME PG 03 04 99	\$530
CPR	Dash Trim Strip Ext. Color Painted in exterior color: trim strip(2.5)(3-part).	XCA E73 E71 E72 E74 E77 E80 E75		AH CZ EX SD ME PG 03 04 99	\$680

Thursday, October 09, 2003

Option Pricing, Content, Availability, and Relationships are subject to change without notice.

PORSCHE

2004 Carrera Turbo Order Guide

Custom Tailoring and Deviations - Exterior Color

<i>Option</i>	<i>Description</i>	<i>Conflicts With</i>	<i>Requires</i>	<i>Must Pick One</i>	<i>Retail Price</i>
CUF	PCM Package Painted Ext. Color Painted in exterior color: slats and adjusters(2.3b), T-divider(2.3c), cupholder trim(2.3d), PCM trim, central air vent divider(2.3f), CD-storage box(4.5), climate control trim(2.3e), lower switch trim(2.3g).	CCP CUR CYX		AH CZ EX SD ME PG 03 04 99	\$1,825
CUW	Door Finishers Ext. Color Painted in Ext.color:front of door handle(3.2), lid of storage bin(3.3). Covered with leather in interior color :opener on lid of door storage bin(3.3a).	CCT E73 E71 E72 E74 E77 E80 E75		AH CZ EX SD ME PG 03 04 99	\$690
CUY	Seat Belt Outlets Ext. Color Painted in Ext.color: belt outlet on B-pillar (left/right; 2.9d).	CCW CV9 CWE CWF CJJ		AH CZ EX SD ME PG 03 04 99	\$145
CYX	Central Air Vent Slats Ext Clr Painted in exterior color: central air vent slats (2.3b).	CCV XCC CCU		AH CZ EX SD ME PG 03 04 99	\$430
CYY	Side Air Vent Slats Ext Clr Painted in Ext.color:slats and adjusters(2.2b). Finished in soft touch paint in interior color:side air vent mounting (2.2a).	CCV XCC CCU XN3 CYZ E80 E71 E72 E73		AH CZ EX SD ME PG 03 04 99	\$490

Thursday, October 09, 2003

Option Pricing, Content, Availability, and Relationships are subject to change without notice.

PORSCHE

2004 Carrera Turbo Order Guide

Custom Tailoring and Deviations - Exterior Color

<i>Option</i>	<i>Description</i>	<i>Conflicts With</i>	<i>Requires</i>	<i>Must Pick One</i>	<i>Retail Price</i>
CYZ	Side Air Slats Ext Clr Mtg/Lth	CCV XCC XN3 E71 E72 E73 E80 CCU CYY		AH CZ EX SD ME PG 03 04 99	\$925

Thursday, October 09, 2003

*Option Pricing, Content, Availability, and Relationships are
subject to change without notice.*

PORSCHE

2004 Carrera Turbo Order Guide

Custom Tailoring and Deviations - Other

<i>Option</i>	<i>Description</i>	<i>Conflicts With</i>	<i>Requires</i>	<i>Must Pick One</i>	<i>Retail Price</i>
C45	<i>Inst Dials Yelw Red White Blue</i> Instrument dials painted in Speed Yellow, Guards Red, Carrara White or Jazz Blue.	X71 X45			\$1,175
CCZ	<i>Sport Shifter</i> Reduces the shift throw up to 35%. Note:Increased shifting effort.	249			\$790
CRFT	<i>Brake Caliper In Yellow</i>				\$3,825
CSV	<i>Electric Sport Seat Left Side</i>		P78		\$1,220
CSW	<i>Electric Sport Seat Right Side</i>		P78		\$1,220
CUC	<i>Painted Model Desig Rear Lid</i> Model designation on rear lid painted in exterior color.		498		\$90
Z098	<i>All C/T Options W/Dev. Stitch</i>				\$0
Z099	<i>ALL exclusive opts dev stitch</i>				\$290

Thursday, October 09, 2003

*Option Pricing, Content, Availability, and Relationships are
subject to change without notice.*

PORSCHE

2004 Carrera Turbo Order Guide

Custom Tailoring and Deviations - Other

<i>Option</i>	<i>Description</i>	<i>Conflicts With</i>	<i>Requires</i>	<i>Must Pick One</i>	<i>Retail Price</i>
Z108	Upper dashboard in dev color		Z109 Z110	AH CZ EX SD ME PG 03 04	\$215
Z109	Lower dashboard in dev color		Z108 Z110	AH CZ EX SD ME PG 03 04	\$165
Z110	Instrument "hump" in dev color		Z109 Z108	AH CZ EX SD ME PG 03 04	\$185
Z111	Seat insert in deviating color			AH CZ EX SD ME PG 03 04	\$670
Z113	Front/rear seats in dev color			AH CZ EX SD ME PG 03 04	\$290
Z34	Deviating Carpet Color				\$390

PORSCHE

2004 Carrera Turbo Order Guide

Custom Tailoring and Deviations - Other

<i>Option</i>	<i>Description</i>	<i>Conflicts With</i>	<i>Requires</i>	<i>Must Pick One</i>	<i>Retail Price</i>
Z84	Stitch F/R Seats - Dev. Color				\$490
Z88	Door & Dash Stitch - Dev Color		Z84	AH CZ EX SD ME PG 03 04 99	\$435
Z96	Alcant Rooflin - Dev. Std Colr				\$215
Z97	Dev Color - Steering Wheel				\$165

Thursday, October 09, 2003

*Option Pricing, Content, Availability, and Relationships are
subject to change without notice.*