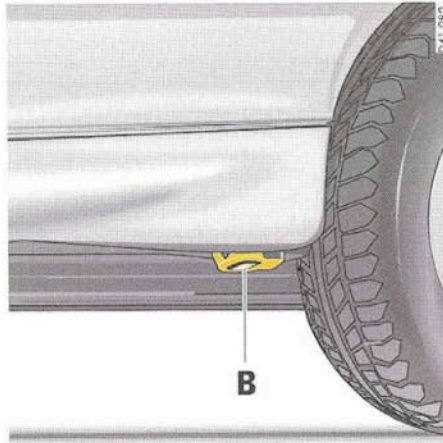


A - Front jacking point

### Lifting the Vehicle with a Lifting Platform or Garage Lift

The car must be raised **only** at the illustrated jacking points.

- ▷ Please observe the chapter "CHANGING A WHEEL" on Page 150.



B - Rear jacking point

### Caution!

**Serious injury and/or serious damage to the engine or the vehicle may occur, if you lift the vehicle improperly.**

- ▷ Never lift the vehicle at any other place than the jacking points.
- ▷ Never lift the vehicle by the engine, transmission or axles.
- ▷ Do not damage any sensitive components in the vicinity of the jacking points.

### Platform lift

Before the car is driven on to a lifting platform, it must be ensured that there is enough space between the lifting platform and the vehicle.

### Garage lift

A garage lift must be used **only** at the illustrated jacking points.