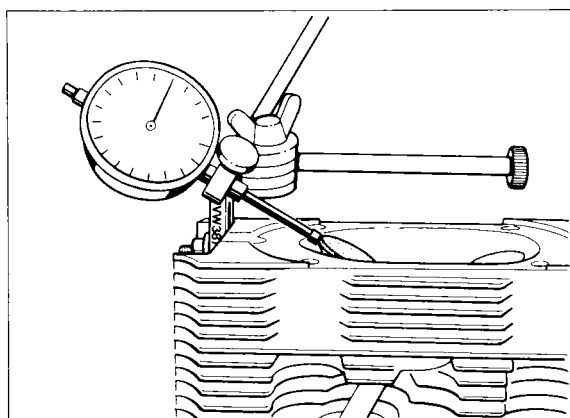


15 75 02 Checking valve guides

1. Clean valve guides thoroughly
2. Use a new valve to measure the tilting play.
3. Fit dial gauge holder VW 387 to cylinder head. The dial gauge must be aligned parallel to the valve head.



1763-15

4. The tilting play is measured at a valve lift of 10 mm (clearance from valve head to valve seat).

Wear limit for

inlet guide	= 0.80 mm
exhaust guide	= 0.80 mm

Note

Any ovality in the entry section of the valve guides may be disregarded.