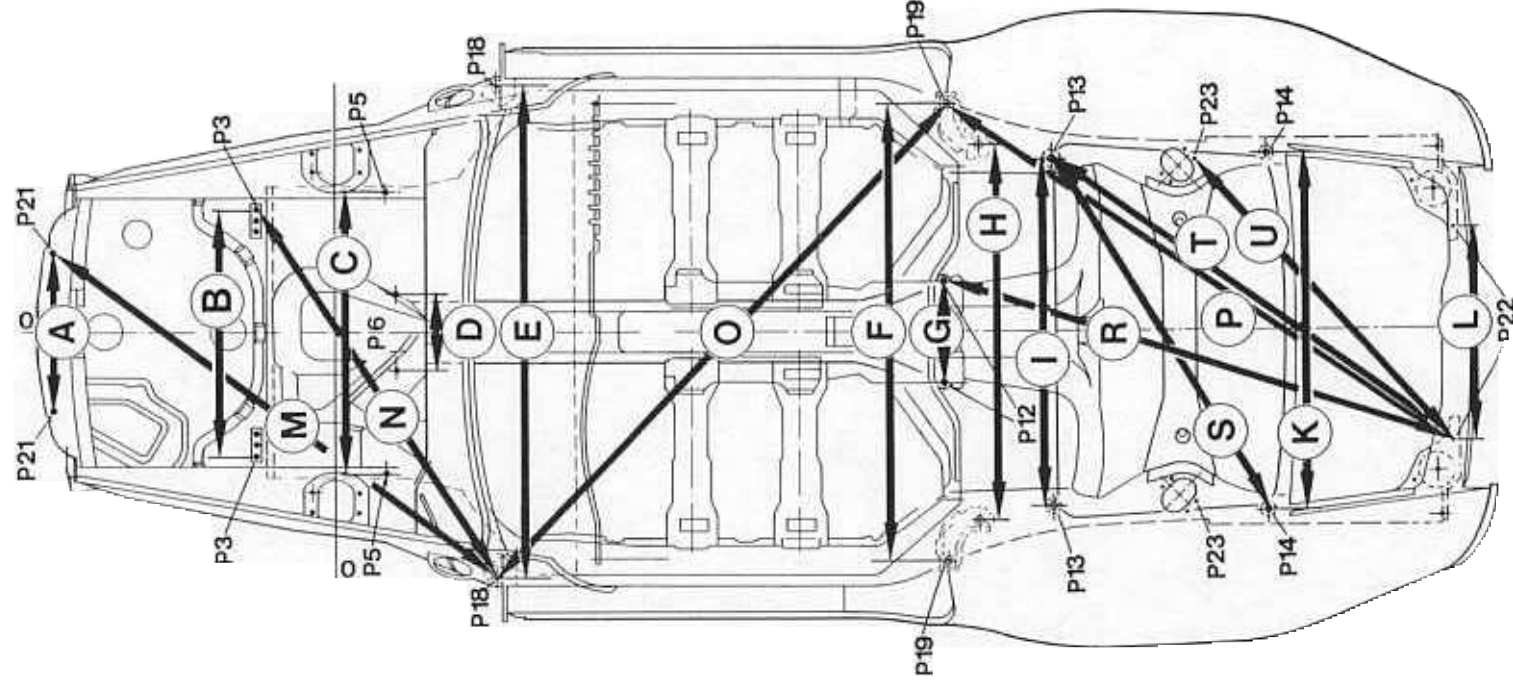


Dimensions for floor assembly



Dimensions for floor assembly

Dim.	Point	Designation	mm
A	P 21	Bottom front closing section, take-up hole	440 ± 2
B	P 3	FA side member, bolt hole	670 ± 0,5
C	P 5	FA outer crossmember, bolt hole	770 ± 2
D	P 6	FA inner crossmember, bolt hole	204 ± 2
E	P 18	Platform/jacking point front, take-up hole	1330 ± 1
F	P 19	Jacking point rear, take-up hole	1236 ± 1
G	P 12	Transmission support, bolt hole	278 ± 1
H	P 20	Platform rear, take-up hole	1018 ± 1
I	P 13	Subframe, bolt hole	935 ± 1,5
K	P 14	Subframe rear, bolt hole	973 ± 1,5
L	P 22	Inner engine mount, take-up hole	640 ± 1
M	P 21 - P 18		1500 ± 3
N	P 3 - P 18		1199 ± 3 (1195 ± 3)
O	P 18 - P 19		1788 ± 3
P	P 19 - P 22		1689 ± 3 (1654 ± 3)
R	P 12 - P 22		1447 ± 3 (1414 ± 3)
S	P 13 - P 14		1143 ± 3 (1122 ± 3)
T	P 13 - P 22		1372 ± 3 (1344 ± 3)
U	P 23 - P 22		1043 ± 3 (1039 ± 3)

Note

All dimensions are measured from and to the center of hole or bolt hole.

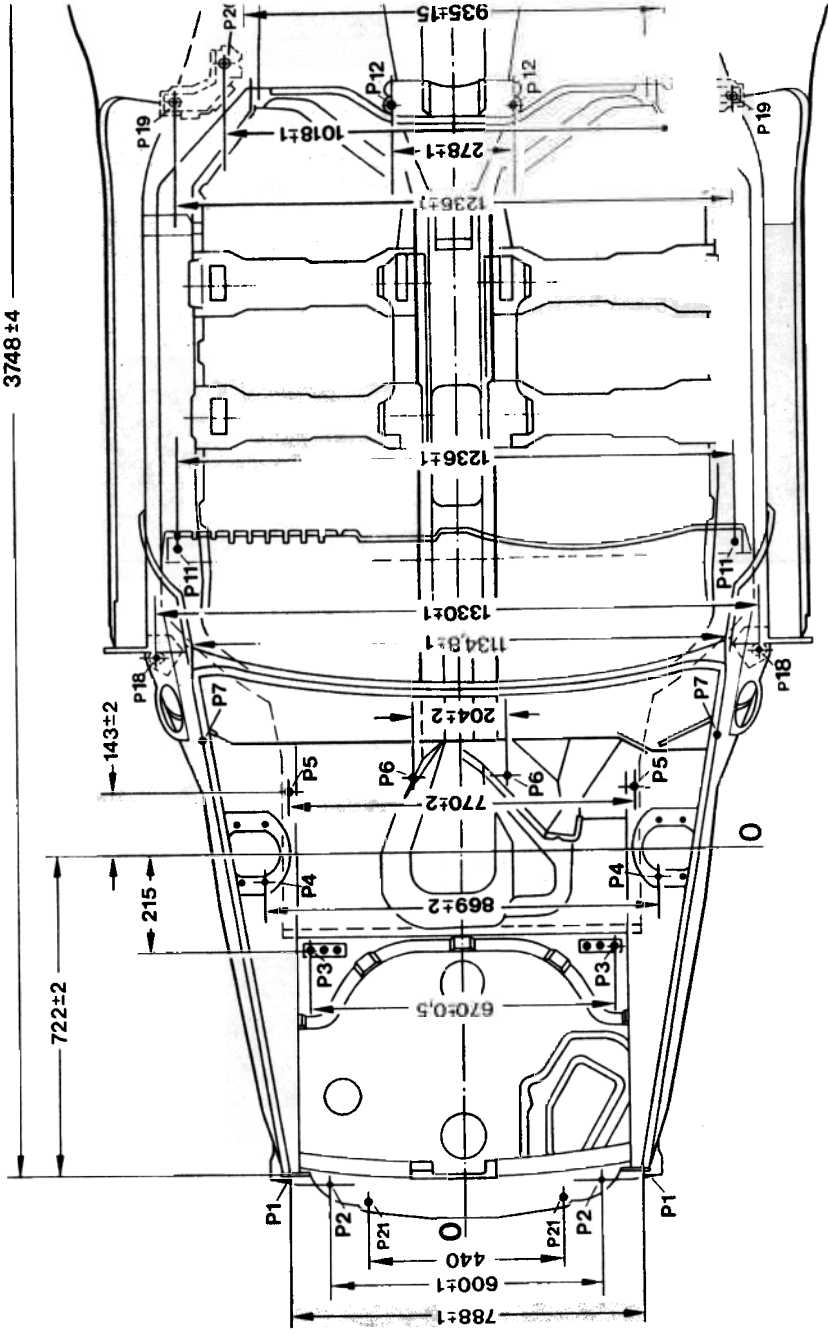
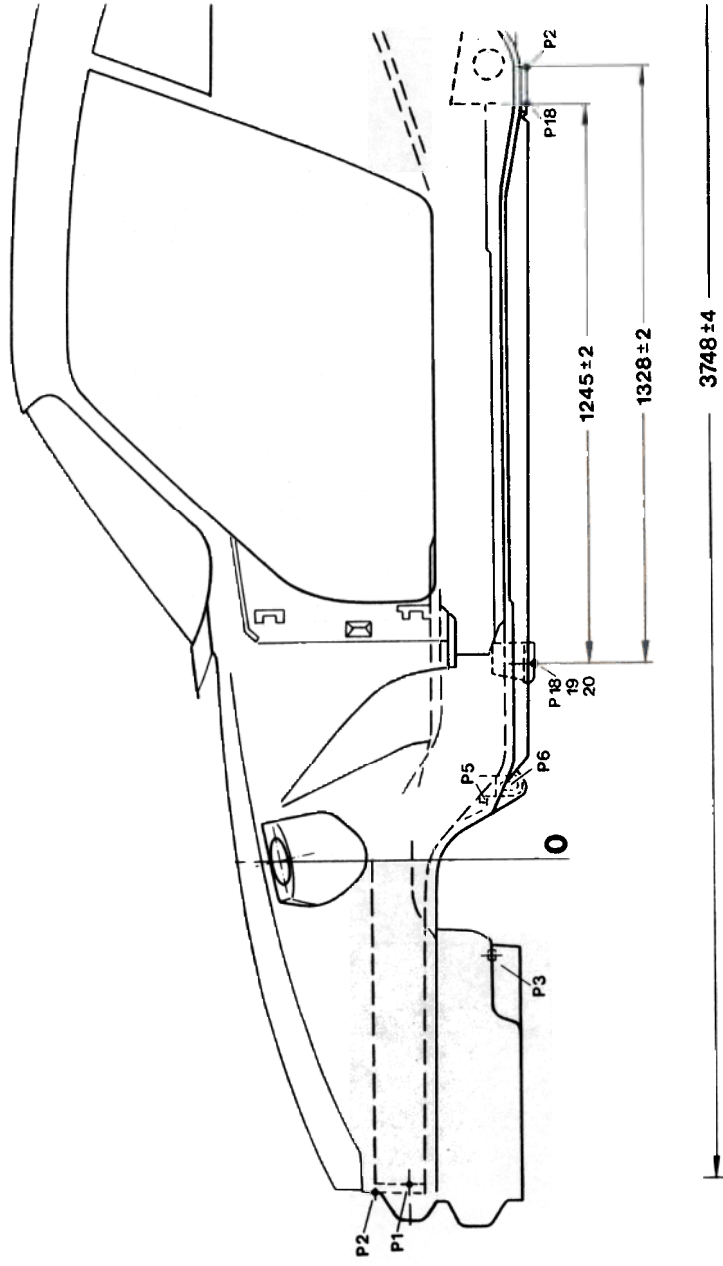
The dimensions are measured directly and are therefore oblique dimensions.

The dimensions in brackets are measured horizontally.

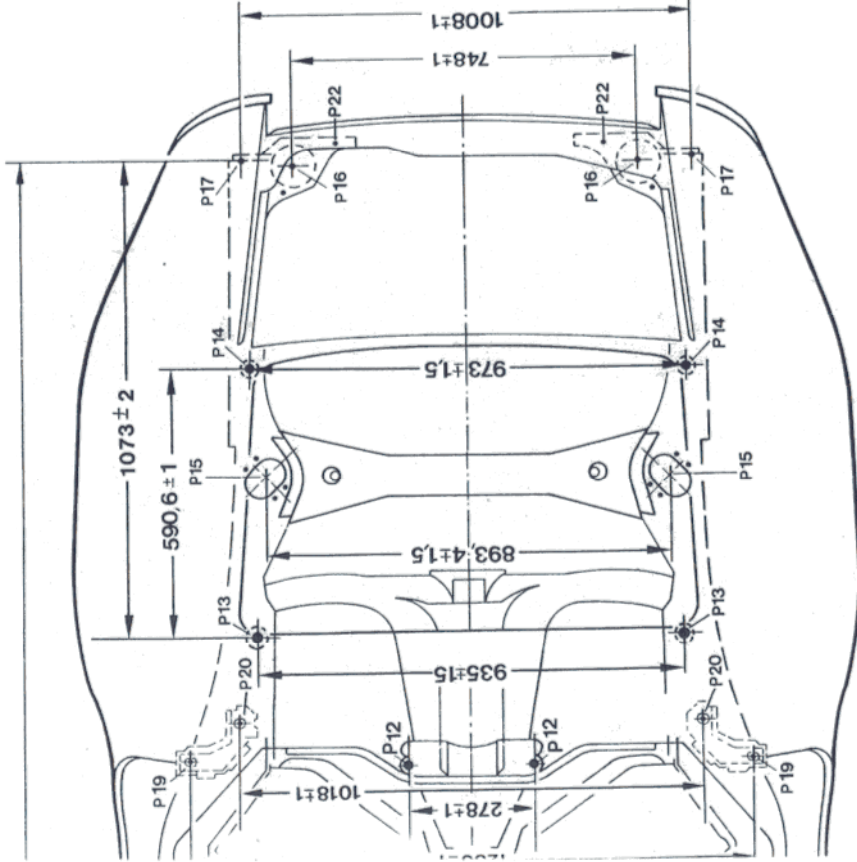
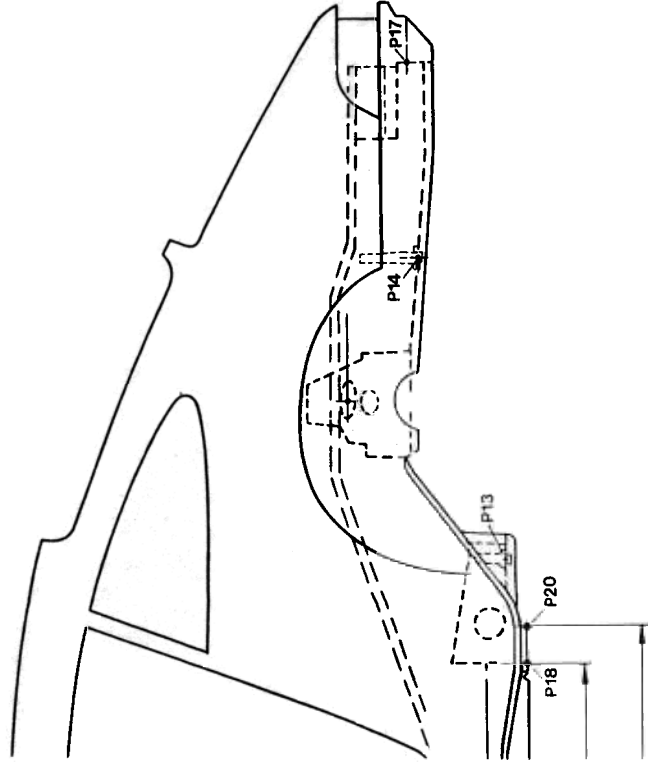
FA = Front axle

RA = Rear axle

Dimensions for body

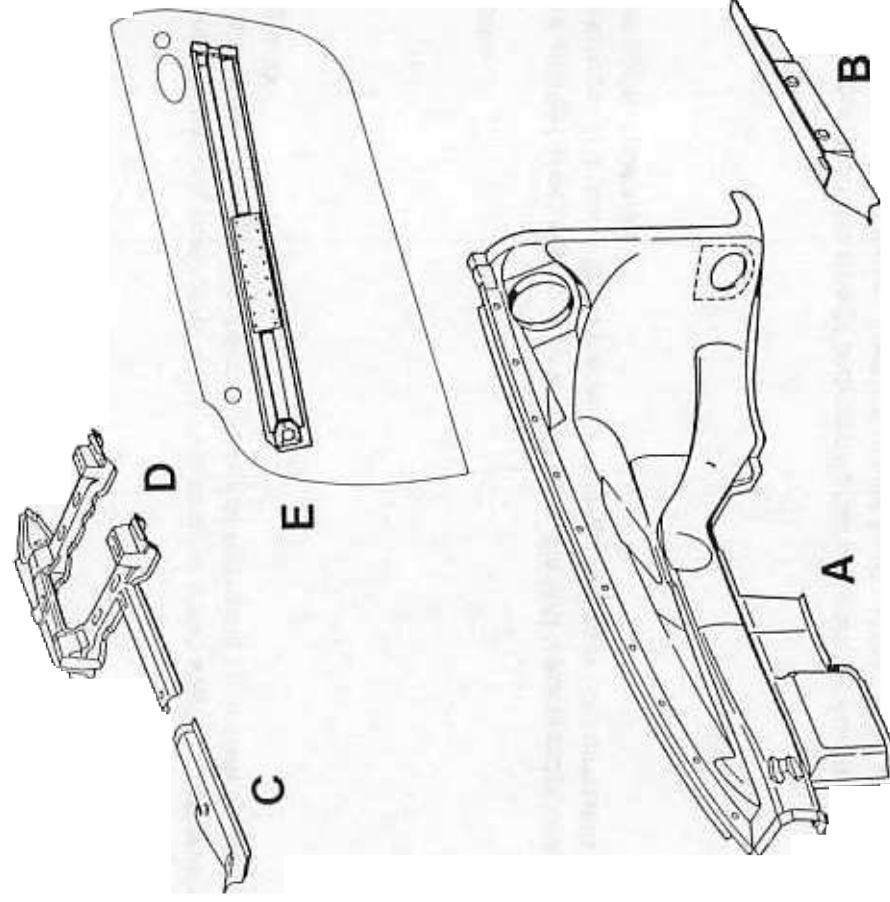


Point LH/RH	Designation
1	Impact absorber / pipe front, bolt hole (M 8 thread)
2	Front upper closing section, take-up hole
3	FA side member, bolt hole (12 x 1.5 thread)
4	FA strut mount, take-up hole
5	Outer FA crossmember, bolt hole (M 12 x 1.5 threads)
6	Inner FA crossmember, bolt hole (M 10 thread)
7	Wheel arch, take-up hole
11	Instrument panel, take-up hole
12	Transmission mount, bolt hole (M10 thread)
13	Subframe front, bolt hole (M 12 x 1.5 thread)
14	Subframe rear, bolt hole (M 12 x 1.5 thread)
15	RA strut mount, take-up hole
16	Engine mount, take-up hole
17	Impact absorber / pipe rear, bolt hole (M 8 thread)
18	Platform / jacking point front, take-up hole
19	Rear jacking point, take-up hole
20	Rear platform, take-up hole
21	Front bottom closing section, take-up hole
VA =	front axle
HA =	rear axle



5 Body parts of stronger sheet steel

The following body parts are made from stronger sheet steel!



A = Front wheel housing

B = Inner side member

C = Front floor section member

D = Seat base

E = Door side strip