

Noises at the Windshield and Rear Window

Vehicle Type: **911 Carrera (996)**

Model Year: **As of 1999 (X)**

Concern: **Noises at the windshield and rear window.**

Information: Rattling noises can occur if the trim frame around the windshield and/or rear window becomes loose. The bonding of the trim frame around the windshield (and the rear window on the Coupe) was improved in production, as of November 19, 1998, and from Vehicle Identification Numbers: (VINs)

- 99 8XS 62 4609** Coupe
- 99 6XS 65 3096** Cabriolet

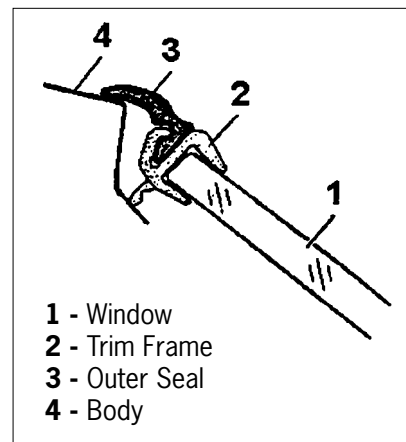


Figure 1

The following improvements were also made in production:

As of February 24, 1998, a new treated outer seal for the windshield was installed, from VINs:

- 99 9XS 62 0584** Coupe
- 99 8XS 65 0118** Cabriolet

As of February 26, 1998, a new treated outer seal for rear window (Coupes only) was installed, from VIN:

- 99 5XS 62 0680** Coupe

| Parts Info.:   | <table border="0"> <tr> <th style="text-align: left;">Part Number</th> <th style="text-align: left;">Description</th> </tr> <tr> <td>996 541 903 00</td> <td>New/Foam rubber cord (6 mm x 6 m, enough for one window)</td> </tr> <tr> <td>996 541 531 01</td> <td>New/Outer seal for windshield</td> </tr> <tr> <td>996 545 521 01</td> <td>New/Outer seal for rear window</td> </tr> </table> | Part Number | Description | 996 541 903 00 | New/Foam rubber cord (6 mm x 6 m, enough for one window) | 996 541 531 01 | New/Outer seal for windshield | 996 545 521 01 | New/Outer seal for rear window |
|----------------|--|-------------|-------------|----------------|--|----------------|-------------------------------|----------------|--------------------------------|
| Part Number    | Description  |             |             |                |  |                |                               |                |                                |
| 996 541 903 00 | New/Foam rubber cord (6 mm x 6 m, enough for one window)   |             |             |                |  |                |                               |                |                                |
| 996 541 531 01 | New/Outer seal for windshield  |             |             |                |  |                |                               |                |                                |
| 996 545 521 01 | New/Outer seal for rear window   |             |             |                |  |                |                               |                |                                |

Work Procedure: Complaints of "rattling noises from windshield and/or rear window" should be addressed as follows:

On vehicles produced before the improved trim frame bonding, (99 8XS 62 4609 - Coupe, 99 6XS 65 3096 - Cabriolet) the trim frame around the windshield and rear window (rear window-Coupe only) should be secured by inserting a foam rubber cord (996 541 903 00) in the gap between the body and the trim frame (Figure 2, arrow).

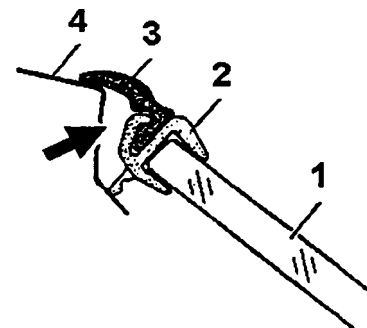


Figure 2

Also, new outer seals at the windshield and rear window should be installed if the vehicle was not factory equipped with the new, treated type. Use the VIN criteria above to determine if new outer seals are applicable to the vehicle.

Work Procedure:  
(cont'd)

**Do not install new outer seals if the vehicle was already equipped with them at the factory!**

**Installation of a new rubber cord in the window gap.**

**Note:** The installation procedure of the foam rubber cord is identical for the windshield and rear window.

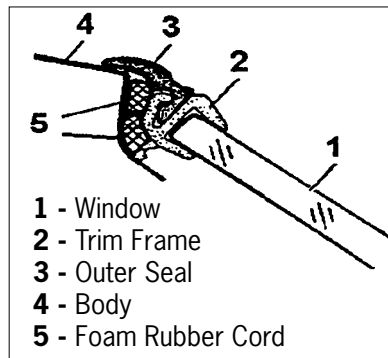
1. Clean outside of vehicle.
2. If necessary, pull the outer seal (Figure 3, Item 3) off of the trim frame (Figure 3, Item 2) on the windshield or rear window.

**Note:** This is not necessary if the outer seal does not have to be replaced.

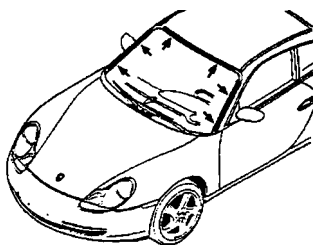
3. Wet the gap (Figure 2, arrow) between the body (Item 4) and the trim frame (Item 2) with a sponge and water.
4. Insert **two layers** of foam rubber cord (Figure 3, Item 5) into the gap, at the top and sides of the windshield or rear window (see Figures 4 and 5). Press them in completely using a plastic spatula.

**Note:** If the outer seal (Figure 3, Item 3) does not need replacement, lift the lip of the outer seal with plastic spatulas so water can be applied to the gap (for the insertion of the foam rubber cord).

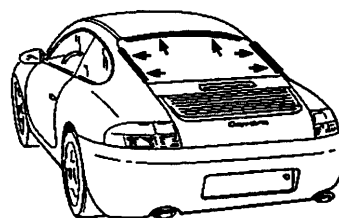
5. Install a new outer seal, if applicable (refer to VIN information on page 1), by applying water to the insertion profile on the trim frame, then pressing the seal into the profile.



**Figure 3**



**Figure 4**



**Figure 5**

| Working Time: | <b>Labor Operation</b> | <b>TU</b> | <b>Description</b>  |
|---------------|------------------------|-----------|---|
|               | 64 20 49 00            | 70        | Installing foam rubber cord and replacing outer seal for the windshield or rear window.         |
|               | 64 20 49 03            | 50        | Installing foam rubber cord without replacing the outer seal for the windshield or rear window. |

Literature: 911 Carrera (996) Technical Manual, Group 6

**Important Notice:** Porsche Cars N.A Technical Bulletins are intended for use by professional technicians, not a "Do-it-yourselfer." They are written to inform these technicians of conditions that may occur on some vehicles, or to provide information that could assist in the proper service of a vehicle. Special tools may be required to perform certain operations identified in these bulletins. Use of tools and procedures other than those recommended in these bulletins may be detrimental to the safe operation of your vehicle. Properly trained technicians have the equipment, tools, safety instructions and know-how to do a job properly and safely. If a condition is described, do not assume that the bulletin applies to your vehicle, or that your vehicle will have that condition. See your Porsche Dealer for information on whether your vehicle may benefit from the information. Part numbers listed in these bulletins are for reference only. Always check with your authorized Porsche dealer to verify correct part numbers.

©1999 Porsche Cars North America, Inc.

|              |                 |       |                 |       |                    |       |       |       |
|--------------|-----------------|-------|-----------------|-------|--------------------|-------|-------|-------|
| Dealership   | Service Manager | _____ | Shop Foreman    | _____ | Service Technician | _____ | _____ | _____ |
| Distribution | Asst. Manager   | _____ | Warranty Admin. | _____ | Service Technician | _____ | _____ | _____ |
| Routing      |                 |       |                 |       |                    |       |       |       |

The trademarks Porsche®, Targa®, Carrera®, Boxster®, Tiptronic®, Varioram® and the Porsche Crest are registered trademarks of Dr. Ing. h.c.F. Porsche AG and its affiliate, Porsche Cars North America, Inc.