

# Technical Bulletin

**Model**  
6 Cyl.

**Group**  
4

**Subject**

**Retrofit of 18 Inch Wheels**

**Part Identifier**  
4440

**Number**  
9604

**ATTENTION: Service Manager / Service Technician**

**Models Affected:** **1995 911 Carrera and Carrera 4 Coupes**  
**1996 911 Carrera, Carrera 4, Coupes and Cabriolets**

**General Information:** Retrofit of 18 inch wheels and tires on some 1995 911 Carrera Coupes and all 1996 911 Carrera Coupes and Cabriolets is now approved. **At this time, the 911 Targa is not approved for 18 inch tire and wheel retrofit.**

**Approved Vehicles:**

- All 1996 911 Carrera and Carrera 4 Coupes.
- 1995 911 Carrera and Carrera 4 Coupes after VIN 99 7 SS 323614

When retrofitting 18 inch approved wheels and tires to **1995 911 Carrera Coupes after the above-mentioned VIN**, a support bracket must be installed on the mounting points of the steering rack housing. The support bracket is already installed on 1996 911 Carrera Coupes and Cabriolets.

**Bracket Installation:** Between the steering rack mounting points, a support bracket and longer allen head bolts (arrows figure 1) must be installed before retrofit of approved 18 inch wheels and tires. The allen head bolts are torqued to 45 Nm (32.5 ft lbs).

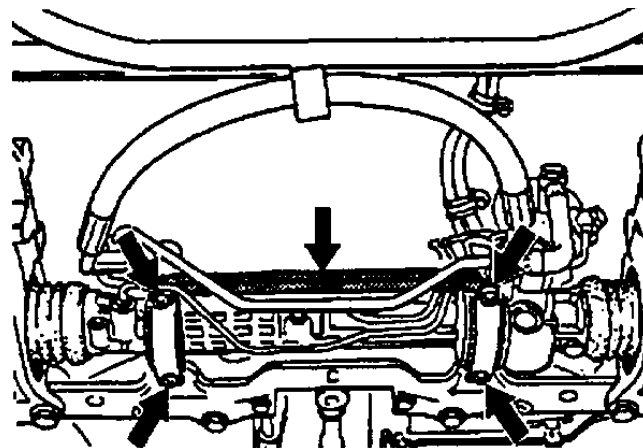


Figure 1

P  
O  
R  
S  
C  
H  
E  
  
C  
A  
R  
S  
  
N  
O  
R  
T  
H  
  
A  
M  
E  
R  
I  
C  
A  
  
I  
N  
C  
.



# Technical Bulletin

**Model**  
**6 Cyl.**

**Group**  
**4**

**Subject**  
**Retrofit of 18 Inch Wheels**

**Part Identifier**  
**4440**

**Number**  
**9604**

**Parts Information:**

**Part Number**

**Description**

993 347 131 02	Support Bracket
999 218 102 09	Allen Bolt M8x60 (Qty. 2)
999 218 103 09	Allen Bolt M8x80 (Qty. 2)

**Tire and Wheel Information:**

**Position**

**Tire Size**

**Wheel Size**

**Offset**

Front	225/40 ZR 18	8J x 18	52mm
Rear	265/35 ZR 18	10J x 18	65mm

**Approved Tires:**

The following makes and types of tires are approved for the above mentioned tire sizes:

Bridgestone S-02 N1  
Continental Sport Contact N0  
Pirelli P-ZERO Asimmetrico N1

**Important Notice:** Porsche Cars N.A Technical Bulletins are intended for use by professional technicians, not a "Do-it-yourselfer." They are written to inform these technicians of conditions that may occur on some vehicles, or to provide information that could assist in the proper service of a vehicle. Special tools may be required to perform certain operations identified in these bulletins. Use of tools and procedures other than those recommended in these bulletins may be detrimental to the safe operation of your vehicle. Properly trained technicians have the equipment, tools, safety instructions and know-how to do a job properly and safely. If a condition is described, do not assume that the bulletin applies to your vehicle, or that your vehicle will have that condition. See your Porsche Dealer for information on whether your vehicle may benefit from the information. Part numbers listed in these bulletins are for reference only. Always check with your authorized Porsche dealer to verify correct part numbers. ©1996 Porsche Cars North America, Inc.

Dealership	Service Manager _____	Shop Foreman _____	Service Technician _____	_____	_____
Distribution	Asst. Manager _____	Warranty Admin. _____	Service Technician _____	_____	_____
Routing					

The trademarks Porsche®, Targa®, Carrera®, Tiptronic®, Varioram® and the Porsche Crest are registered trademarks of Dr. Ing. h.c.F. Porsche AG and its affiliate, Porsche Cars North America, Inc.

©1996 Porsche Cars  
North America, Inc.  
All rights reserved. Cannot be  
reproduced without written permission.  
Service & Parts Publications.



# SERVICE

Page 2 of 2  
February 27, 1996