

Technical Bulletin

Model
6 Cyl.

Group
1

Subject:

Oil Drain Plug Torque

Part Identifier

1754

Number

9409

ATTENTION: Service Manager / Service Technician

This bulletin replaces Technical Bulletin Group 1, Number 9409, dated 10-27-94.

Models Affected: *911 Carrera 2/4 model years 1989-1994*
911 Turbo model years 1991-1994
911 Carrera model years 1995-on

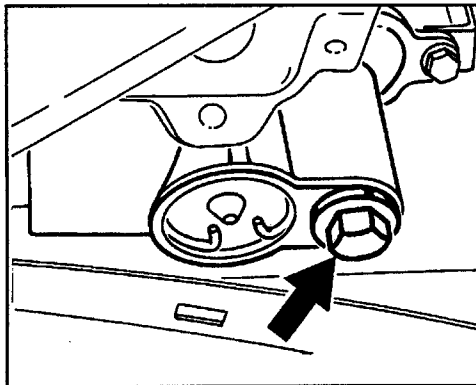
Concern: The torque specification for the oil drain plugs of the **thermostat housing** and the **engine crankcase** has changed.

General Information: The torque specification for the oil drain plugs of the thermostat housing and the engine crankcase as stated on page 03-6, Volume 1 of the 911 Carrera 2/4 Workshop Manual; page 03-8, Volume 1 of the 911 Turbo 1991 Workshop Manual; and on page 03-2, Volume 1 of the 911 Carrera (993) Workshop Manual has been changed to a lower torque.

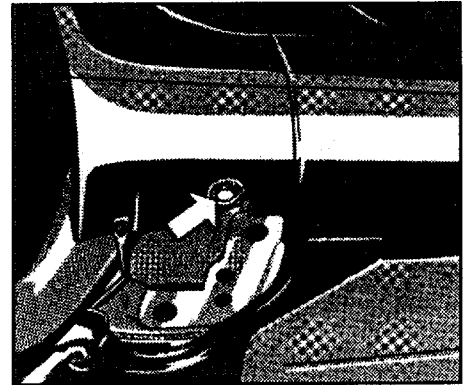
Specifications:

Crankcase drain plug
50 Nm (37 ft.lbs.) – new

Thermostat housing drain plug
50 Nm (37 ft.lbs.) – new



911 Carrera (993)



911 Carrera 2/4
911 Turbo



PORSCHE
CARS
NORTH
AMERICA
INC.