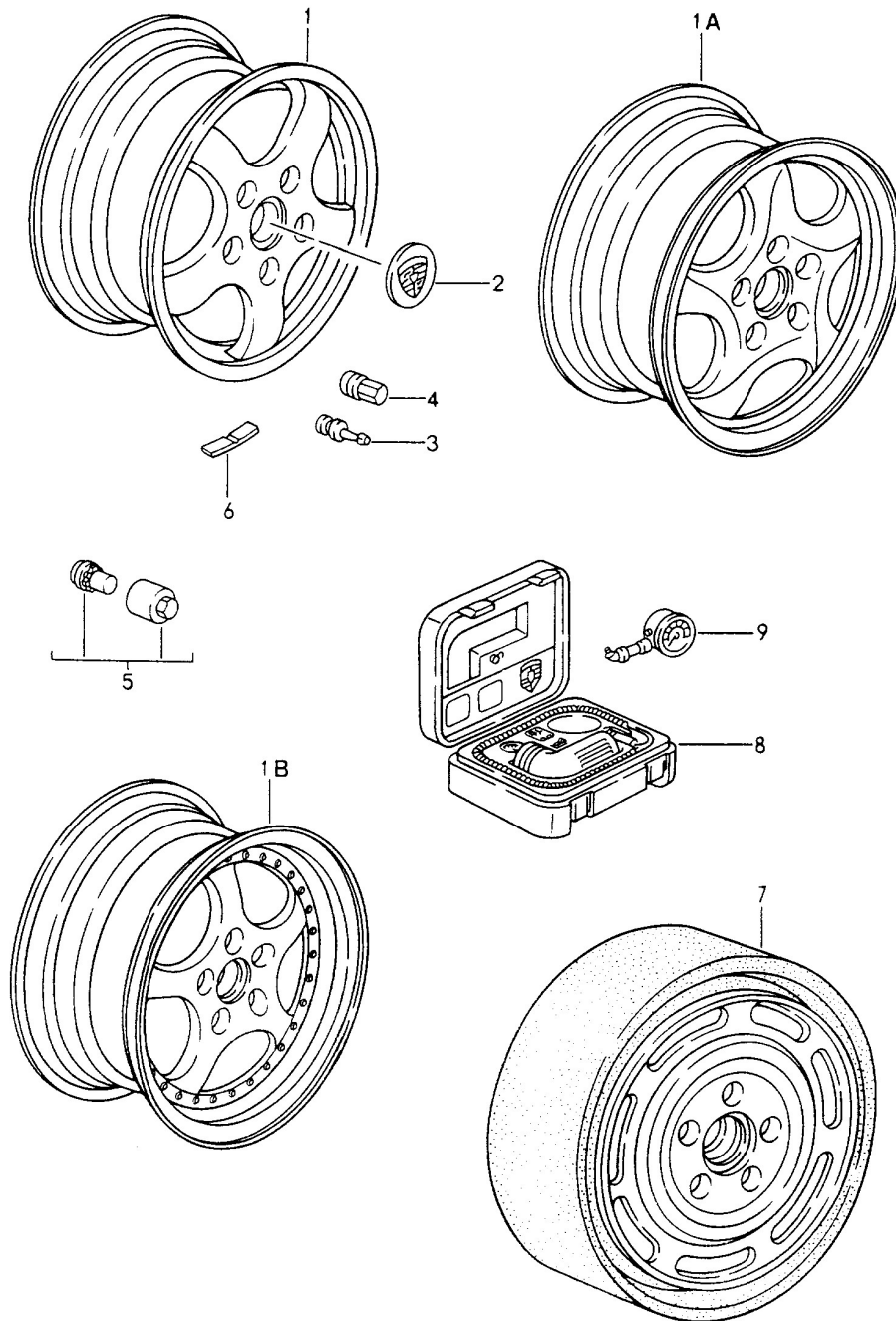


Model: 911 94

Model life 1994>>1998



Model: 911 94 Model life 1994>>1998

Pos	Part Number	Description	Remark	Qty	Model
1	993 362 114 00	Wheels See technical information GR.4 NR.5/95-10/95 Alloy wheel 7 J X 16 ET 55 Silver metallic	/V	2	M397
1	993 362 124 00	Alloy wheel See TPI GR.6 NR.10/96 7 J X 17 ET 55 Silver metallic	/V /V	2 2	M398 M398/495
1		Alloy wheel	/V	2	TURBO
			/V 96-	2	TARGA
			/V	2	M491
			/V	2	
		Silver metallic 7 J X 17 ET 55 for winter use			
1A	993 362 136 00	Alloy wheel	/V	2	TURBO
			/V	2	M408/493
		8 J X 18 ET 52 Silver metallic	/V 97-	2	M408/495
(1B)	993 362 124 50	Alloy wheel	/V 96-	2	TARGA
		TARGA DESIGN 7 J X 17 ET 55 Silver metallic		2	M393/495
(1B)	993 362 128 50	Alloy wheel	/H 96-	2	TARGA
		TARGA DESIGN 9 J X 17 ET 55 Silver metallic	/H	2	M393/495
-	000 043 203 81	Cap for SCHRAUBENKÖPFE Paint refinishing system	/V /H 96- /V /H	X	TARGA M393/495
1	993 362 118 01	Alloy wheel 9 J X 16 ET 70 Silver metallic	/H	2	M397
1A	993 362 136 01	Disc wheel 8 J X 18 ET 52 Silver metallic	/V 96-	2	M413/491
1	993 362 116 01	Alloy wheel 8 J X 16 ET 70 Silver metallic	/H	2	
1	993 362 128 00	for winter use Alloy wheel	/H	2	M398
	993 362 128 00 61M	Silver metallic 9 J X 17 ET 55			
1	993 362 128 00	Alloy wheel See TPI GR.6 NR.10/96	/H 97-	2	M398/495
	993 362 128 00 61M	Silver metallic			

Model: 911 94 Model life 1994>>1998

Pos	Part Number	Description	Remark	Qty	Model
1	993 362 126 01	9 J X 17 ET 55 Alloy wheel	/H /H	2 2	TARGA
-	000 043 203 81	8 J X 17 ET 70 Silver metallic for winter use Cap for SCHRAUBENKÖPFE Paint refinishing system	/V 96- /V	1	TARGA M393/495
1A	993 362 140 00	Alloy wheel 10 J X 18 ET 40	/H /H /H 97-	2 2 2	TURBO M408/491 M408/495
1A	993 362 140 01	Silver metallic Disc wheel 10 J X 18 ET 65	/H 96-	2	M408/493
1A	993 362 140 03	Silver metallic Alloy wheel 10 J X 18 ET 40	/H 96-	2	M413/491
1	993 362 126 02	Silver metallic Alloy wheel	/H /H	2 2	TURBO M491
(1B)	993 362 980 04	8 J X 17 ET 30 Silver metallic for winter use Alloy wheel 8J X 18 ET 52	/V	2	TURBO S
(1B)	993 362 980 05	Lacquered HIGH GLOSS SILVER Alloy wheel 10J X 18 ET 40	/H	2	TURBO S
2	993 361 980 00	Lacquered HIGH GLOSS SILVER Hub cap High Gloss Silber Lacquered Logo Turbo S		4	TURBO S
(2)	993 361 303 00	Hub cap		4	
(2)	993 361 303 01	993 361 303 00 61M Silver metallic Hub cap	95-	4	M339
(2)	993 361 303 02	Silver Hub cap		4	TURBO
(2)	993 361 303 04	993 361 303 02 61M Silver metallic Hub cap		4	M339/408
(2)	993 361 303 05	Silver Hub cap	-96	4	M338/408
(2)	993 361 303 11	Silver Hub cap	97	4	M338/408
(2)	993 361 303 11	993 361 303 11 61M Silver Hub cap	98-	4	M338/408
(2)	993 361 303 03	993 361 303 11 9A1 Silver Hub cap		4	M491
(2)	993 361 303 07	993 361 303 03 61M Silver Hub cap Polished	-96	4	M094

Model: 911 94

Model life 1994&gt;&gt;1998

Pos	Part Number	Description	Remark	Qty	Model
(2)	993 361 303 07 61M	Hub cap Silver Crest Coloured	97-	4	M445
(2)	993 361 303 07 993 361 303 07 61W	Hub cap Steel grey Crest Coloured	97-	4	M495
(2)	993 361 303 09 993 361 303 09 92T	Hub cap Arctic silver metallic Crest Coloured	-98	4	M446
3	900 265 001 50	Rubber valve		4	
3	900 265 001 51	Rubber valve		4	
(3)	993 361 073 00	Valve  Steel		4 4	TURBO M408
4	999 182 003 36	Wheel nut		16	
5	993 361 057 00	Wheel nut Anti-theft protection 1 set		1	
6	901 361 410 50	Balance stick-on weight 5 G		X	
6	901 361 410 00	Balance stick-on weight 10 G		X	
6	901 361 411 50	Balance stick-on weight 15 G		X	
6	901 361 411 00	Balance stick-on weight 20 G		X	
6	901 361 412 50	Balance stick-on weight 25 G		X	
6	901 361 412 00	Balance stick-on weight 30 G		X	
6	901 361 413 50	Balance stick-on weight 35 G		X	
6	901 361 413 00	Balance stick-on weight 40 G		X	
6	901 361 414 50	Balance stick-on weight 45 G		X	
6	901 361 414 00	Balance stick-on weight 50 G		X	
6	901 361 415 50	Balance stick-on weight 55 G		X	
6	901 361 415 00	Balance stick-on weight 60 G		X	
6	901 361 416 50	Balance stick-on weight 65 G		X	
6	901 361 416 00	Balance stick-on weight 70 G		X	
6	901 361 417 50	Balance stick-on weight 75 G		X	
6	901 361 417 00	Balance stick-on weight 80 G		X	
7	965 362 030 00	Emergency wheel with collapsible tire Mount for		1	
-	900 074 059 02	Emergency wheel Hexagon-head bolt M 10 X 40		1	
-	900 074 379 01	Hexagon-head bolt M 10 X 40		1	
-	477 813 157	Mounting plate		1	

Model: 911 94

Model life 1994&gt;&gt;1998

Pos	Part Number	Description	Remark	Qty	Model
8	996 652 053 00	Compressor		1	
8	997 652 051 00	Compressor		1	
8	997 652 055 00	Compressor		1	
9	911 722 202 00	Tyre pressure gauge Porsche Classic mit Lederhülle		1	