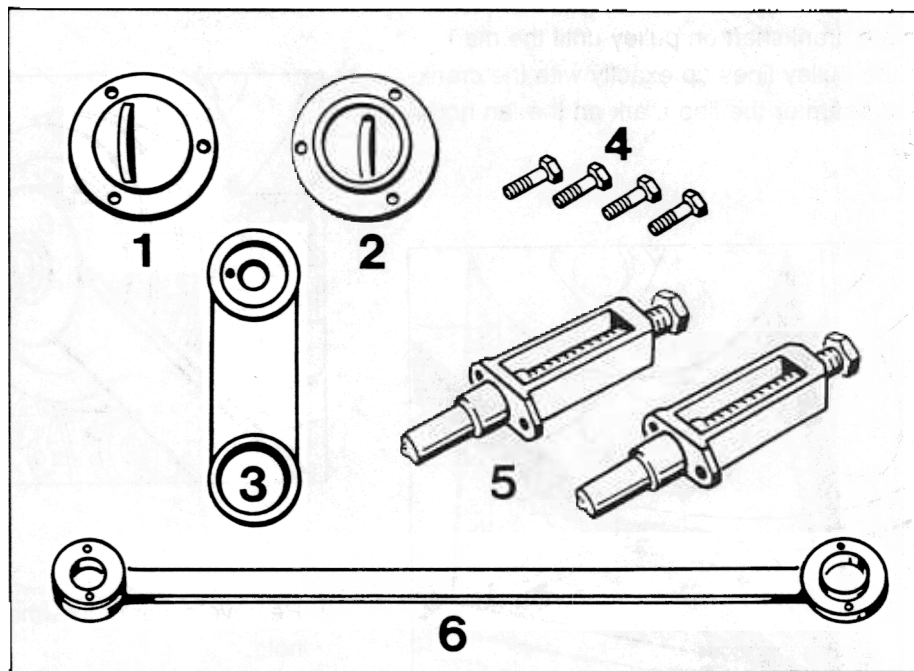


15 05 06 Checking and adjusting camshafts

(Adjusting the timing)

Tools



1457-15

No.	Designation	Special tool	Order number	Explanation
1	Locking tool for LH camshaft	9551	000.721.955.10	install 2 fit bolts in the 6 ^{H7} holes in the three-hole flange
2	Locking tool for RH camshaft	9552	000.721.955.20	install 2 fit bolts in the 6 ^{H7} holes in the three-hole flange
3	Locking tool for crankshaft	9553	000.721.955.30	
4	Fit bolt (4 pieces)	9554	000.721.955.40	Install fit bolts in oval hole of three-hole flange
5	Auxiliary chain tensioner	9401	000.721.940.10	
6	Pulley retaining wrench	9548	000.721.954.80	