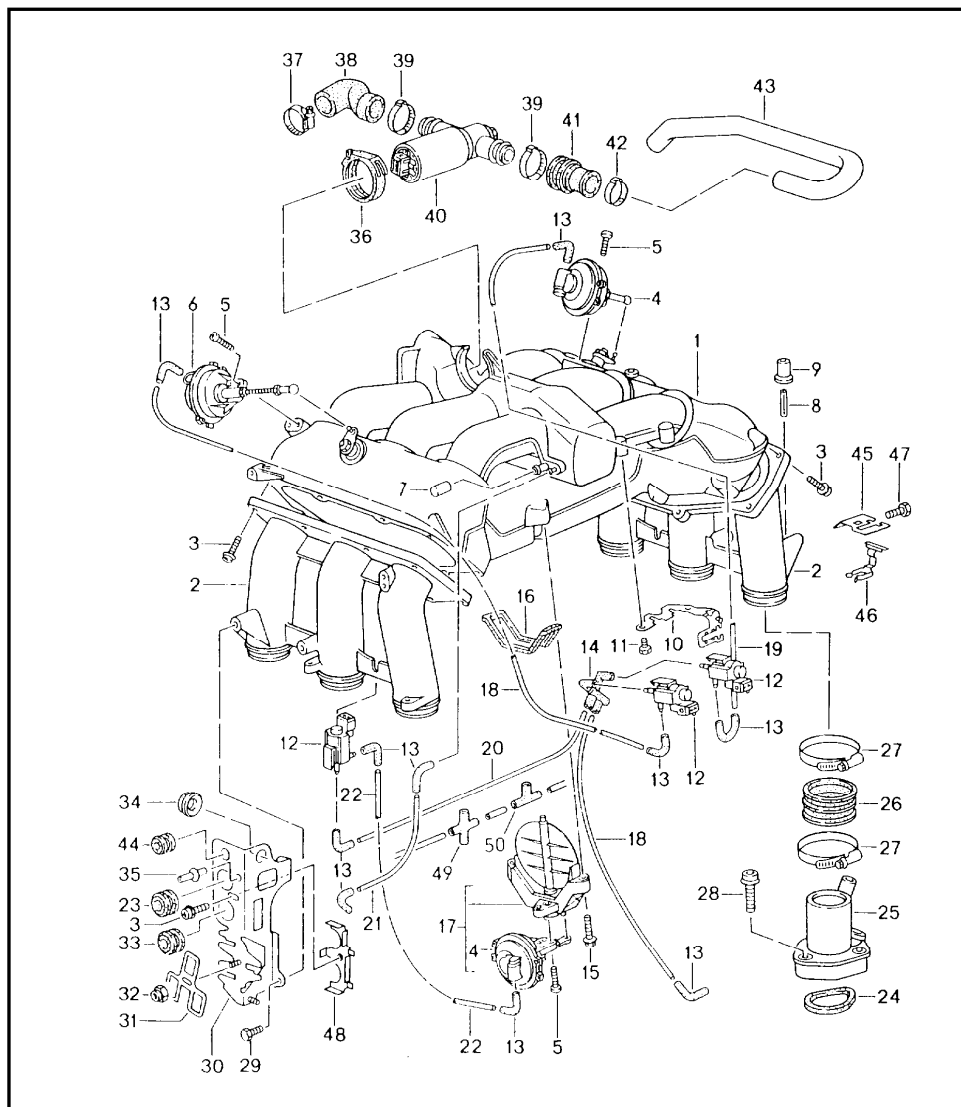


Model	Year	MG	SG	Illustration	Restrictions	UPD	13:48	05.02.2010	PORSCHE	PET	PORSCHE
993	1998	1	07	107-12		248	USA / CANADA				



Pos	Part Number	Description	Remark	Qty	Model
		intake distributor			M64.20/21/22 M64.23/24
1	993 110 081 42	intake distributor		1	M64.20
1	993 110 087 42	bearing sleeve - INTERTEIL - ZSB 99311008142		1	M64.20
1	993 110 081 02	intake distributor		1	M64.21/22 M64.23/24
2	993 110 181 43	intake manifold		2	M64.20
2	993 110 181 04	intake manifold		2	M64.21/22 M64.23/24
3	900 067 207 02	combination screw M 6 X 20		27	
4	993 110 462 02	vacuum unit		2	
5	900 146 123 02	screw M 5 X 16		6	
6	993 110 461 03	vacuum unit		1	
7	930 110 256 02	cap		1	
8	900 095 054 01	roll pin 6,0 X 30		2	
9	999 703 422 40	rubber cap		2	
10	993 110 515 02	support		1	
11	900 075 010 02	hexagon-head bolt M 6 X 12		2	
12	996 605 123 01	change-over valve		3	
13	928 574 717 03	protective tube		10	
14	993 110 571 01	distributing piece		1	
15	900 075 341 02	hexagon-head bolt M 6 X 25		2	
16	993 110 263 01	gasket		1	
17	993 110 061 03	flap housing		1	
-	900 918 005 40	pipe 5,0 X 1,0		*	
18	-	490 MM		2	

Model	Year	MG	SG	Illustration	Restrictions	UPD	13:48	05.02.2010	PORSCHE	PET	PORSCHE
993	1998	1	07	107-12		248	USA / CANADA				

Pos	Part Number	Description	Remark	Qty	Model	Pos	Part Number	Description	Remark	Qty	Model
19	-	245 MM		1		40	993 606 160 00	idle-speed adjuster		1	
20	-	375 MM		1		41	993 110 583 00	hose		1	
21	-	380 MM		1		42	999 512 380 02	hose clamp 26,0-30,1		1	
22	-	100 MM		1		43	993 110 581 02	connecting tube		1	
23	993 110 510 02	grommet		1		44	993 110 509 01	grommet		1	M64.21/22 M64.23/24
24	993 110 723 40	sealing ring		6	M64.20						
(24)	993 110 713 01	sealing ring		6	M64.21/22 M64.23/24	45	993 606 241 00	support		1	
25	993 110 722 00	intake manifold		6	M64.20	46	928 606 282 00	tensioning spring		1	
25	993 110 712 50	intake manifold		6	M64.21/22 M64.23/24	47	900 378 036 09	hexagon-head bolt		1	
26	964 110 687 03	rubber sleeve		6	M64.21/22 M64.23/24	48	993 110 534 01	support		1	
26	993 110 683 00	rubber sleeve		6	M64.20	49	999 137 017 40	distributing piece KS 4		1	
27	999 512 348 02	hose clamp 40-60		6		50	999 137 075 40	distributing piece 4 - 6 - 4		1	
28	A 900 067 316 02	combination screw M 6 X 35		18		--	999 201 371 00	shaft sealing ring 8 X 12 X 3		2	
29	900 075 267 02	hexagon-head bolt M 6 X 14		2							
30	993 110 546 08	support		1	M64.20						
(30)	993 110 546 09	support		1	M64.21/22 M64.23/24						
31	964 606 241 00	tab washer		1							
32	999 084 094 02	lock nut		1							
33	964 110 510 01	grommet		1							
34	999 702 171 50	grommet		1							
36	993 110 587 02	grommet		1							
37	999 512 252 02	hose clamp 23-35/9		2							
38	993 110 585 01	hose		1							
39	999 512 473 02	hose clamp 29,2-35,0		2							