

**SportDesign Package / Aerokit**

Revision: This bulletin replaces bulletin Group 6 13/21, dated October 18, 2021.

Model Year: **As of 2019**

Vehicle Type: **992**

Information: **Retrofitting**



Figure 1

**Scope 1** – SportDesign front apron

**Scope 2** – SportDesign package, front apron and rear apron

**Scope 3** – Aerokit, comprising a fixed rear wing, **Important:** Aerokit is only approved and tested in conjunction with SportDesign package Scope 2!

**NOTICE**

**Aerokit**

- **Aerokit is only approved and tested in conjunction with SportDesign package Scope 2!**

⇒

Parts Info: **Important:** Only the order sets are listed; current exploded drawings or a detailed list of the parts are visible in the PET (Porsche Electronic Parts Catalogue).

<b>Package Order No.</b>		<b>Scope 1:</b> SportDesign package, front apron
992.044.830	1 x	<b>Front apron with ParkAssist 7X2</b>
992.044.831	1 x	<b>Front apron with ParkAssist 7X5</b>
<b>Package Order No.</b>		<b>Scope 2:</b> SportDesign package, front apron and rear apron
992.044.846	1 x	<b>Complete SportDesign package for 992 C2/C4 USA with ParkAssist, with camera for Coupé without sports exhaust system, and with sports tailpipe</b>
992.044.846.A	1 x	<b>Complete SportDesign package for 992 C2/C4 USA with ParkAssist, with camera for Cabrio without sports exhaust system, and with sports tailpipe</b>
992.044.846.B	1 x	<b>Complete SportDesign package for 992 C2/C4 USA with ParkAssist, with camera for Coupé with sports exhaust system</b>
992.044.846.C	1 x	<b>Complete SportDesign package for 992 C2/C4 USA with ParkAssist, with camera for Cabrio with sports exhaust system</b>
<b>Package Order No.</b>		<b>For Scope 2:</b> Rear part, SportDesign package
992.044.841	1 x	<b>SportDesign rear part for 992 C2/C4 USA with ParkAssist, with camera</b>
<b>Package Order No.</b>		<b>Scope 3:</b> Aerokit
992.044.880	1 x	<b>Aerokit with Galvano Silver vanes</b>
992.044.880.A	1 x	<b>Aerokit with prime-coated vanes</b>

Work  
Procedure:



#### Information

Some of the repair illustrations show only one side of the vehicle. Naturally, some steps also have to be performed on the opposite side of the vehicle as well. These must be carried out as a mirror image of the steps shown.



#### Information

The number of electric plug connections and clips will vary depending on equipment.

**Important:** Paint ready-primed parts only. Paint the removed parts. This information applies to all work steps (Scope 1 – 3).



#### Painting components

- Risk of warping of components

- Risk of damage to components
- ⇒ Observe the guidelines and instructions for painting components in the "Paint" Workshop Manual.
- ⇒ Always place parts without tension on the painting devices provided during painting and drying processes.

1 The following work steps affect Scope 1 and 2.

- 1.1 Connecting a battery charger ⇒ *Workshop Manual 'Charging battery/vehicle electrical system'*
- 1.2 Raise the vehicle. ⇒ *Workshop Manual 'Raising the vehicle'*
- 1.3 Remove the front apron. ⇒ *Workshop Manual 'Removing and installing front apron'*
- 1.4 Install the bumper. ⇒ *Workshop Manual 'Removing and installing front bumper'*
- 1.5 Replace left and right side guides ⇒ *Figure 2 -1-*.
- 1.6 Disassemble and assemble front apron. ⇒ *Workshop Manual 'Replacing front apron'*
- 1.7 Installing front apron. ⇒ *Workshop Manual 'Removing and installing front apron'*

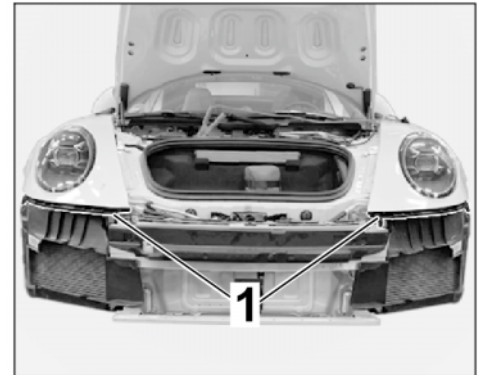


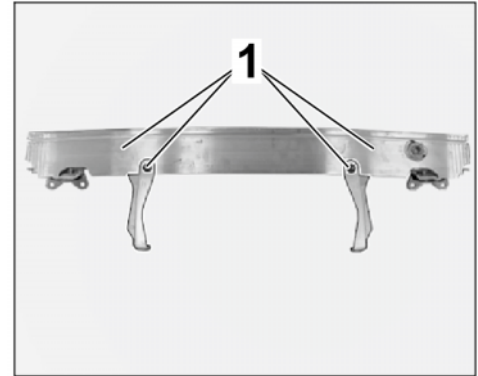
Figure 2

2 The following work steps affect Scope 2.

**Important:** Pay particular attention to the following when painting. ⇒ *Workshop Manual 'Instructions for painting rear apron (vehicles with Lane Change Assist)'*

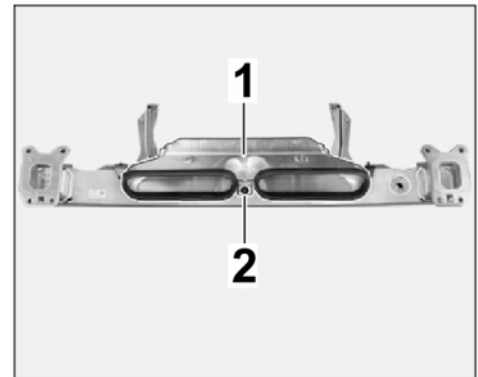
- 2.1 Remove rear apron. ⇒ *Workshop Manual 'Removing and installing rear apron'*
- 2.2 Disassembling and assembling rear apron. ⇒ *Workshop Manual 'Replacing rear apron'*
- 2.3 Removing bumper. ⇒ *Workshop Manual 'Removing and installing rear bumper'*
- 2.4 Install heat shield on bumper.

- 2.4.1 Screw left and right holders to the bumper using two nuts on each side ⇒ *Figure 3-1-*.



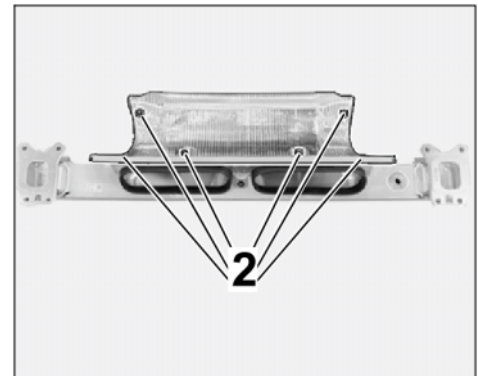
*Figure 3*

- 2.4.2 Install air guide ⇒ *Figure 4-1-* using a nut ⇒ *Figure 4-2-*.



*Figure 4*

- 2.4.3 Install heat protection ⇒ *Figure 5-1-* using 6 nuts ⇒ *Figure 5-2-*.



*Figure 5*

- 2.4.4 Install foam ⇒ *Figure 6-1*- to the bumper.
- 2.5 Remove charge-air cooler. ⇒ *Workshop Manual 'Removing and installing charge-air cooler.'*



Figure 6

- 2.6 Replace charge-air cooler air guides ⇒ *Figure 7-1*.
- 2.7 Install charge-air cooler. ⇒ *Workshop Manual 'Removing and installing charge-air cooler.'*
- 2.8 Install bumper. ⇒ *Workshop Manual 'Removing and installing rear bumper'*
- 2.9 Install rear apron. ⇒ *Workshop Manual 'Removing and installing rear apron'*

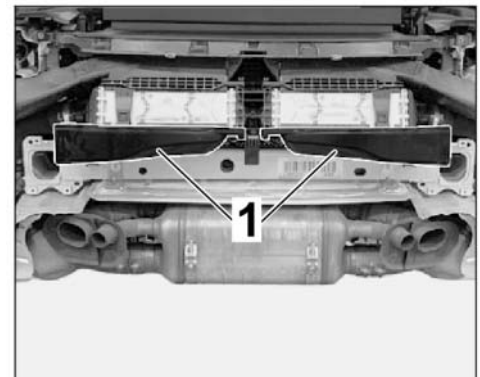


Figure 7

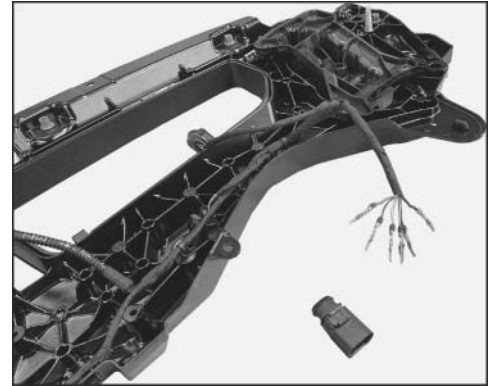
- 3 The following work steps affect Scope 3.
  - 3.1 Remove rear spoiler completely. ⇒ *Workshop Manual 'Removing and installing rear spoiler.'*
  - 3.2 Install lock for lid (tightening torque 9.7 NM), rubber sleeves (6x), holders for lower part of spoiler (2x), speed nuts (2x), and wire harness to new spoiler drive unit.
  - 3.3 Unpin 14-pin connector housing ⇒ *Figure 8* on the removed standard spoiler plate.

Important: Do not damage the 14-pin connector housing. The connector housing will be re-used for ⇒ 3.6.



Figure 8

- 3.4 Unpin 8-pin connector housing from the Aerokit spoiler plate ⇒ *Figure 9*.



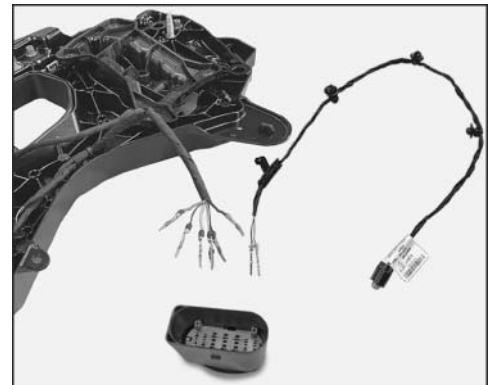
*Figure 9*

- 3.5 Unpin 2-pin connector housing from wiring harness P68A (third Aerokit brake light) ⇒ *Figure 10*.

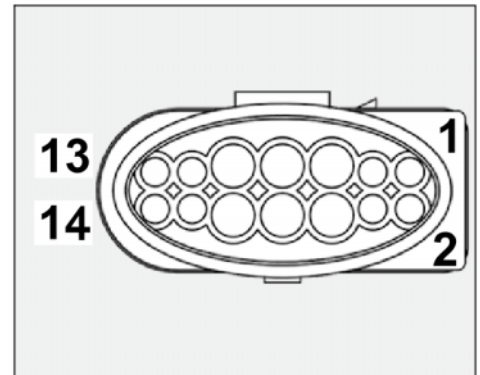


*Figure 10*

- 3.6 Plug wiring harness for Aerokit spoiler plate and wiring harness P68A (third Aerokit brake light) into 14-pin connector housing ⇒ *Figure 11*.



*Figure 11*



Connector housing 14-pin (view from rear, pin direction)

- Pin 1:** – Pin 1 for wiring harness P68A (third Aerokit brake light) **Cable color red**
- Pin 2:** – Rear lid contact: **Cable color yellow/red**
- Pin 3:** – Terminal 87 for radiator fan right: **Cable color white/red**
- Pin 4:** – PWM radiator fan right: **Cable color blue/brown**
- Pin 5:** – Terminal 31 **Cable color brown**  
Crimp on pin 2 of the wiring harness P68A (third brake light Aerokit)
- Pin 6:** – Terminal 87 for radiator fan left: **Cable color white/green**
- Pin 7:** – PWM radiator fan left: **Cable color blue/green**
- Pin 8:** – Rear lid actuating element: **Cable color purple/blue**
- Pin 9 to pin 14:** – Not used

- 3.7 Check the functionality of the third brake light. If the third brake light does not work, unpin pin A6 on **the rear-end electronics control unit** and crimp on C16. ⇒ *Workshop Manual '578919 Removing and installing control unit for rear-end electronics'*
- 3.8 Install Aerokit spoiler plate. ⇒ *Workshop Manual '578919 Removing and installing rear spoiler.'*
- 3.9 Install upper part of spoiler with lower part of spoiler.
- 3.10 Install holders for spoiler unit on the rear apron (2x).
- 3.11 Installing lower part of spoiler. Install lower part of spoiler and lock it into the guides to the rear. Install and tighten screws on front spoiler. Tightening torque: 8 NM.

3.12 Install upper part of spoiler.

4 Code vehicle.

#### NOTICE

##### Voltage drop

- Risk of irreparable damage to control unit
  - Risk of damage to control unit
  - Fault entries in the control unit
  - Coding in the control unit is aborted
  - Malfunctions in control unit, even during programming
- ⇒ Before disconnecting the control unit, switch off ignition and remove ignition key.
- ⇒ Make sure that the power supply is not interrupted during programming.
- ⇒ Connect battery charger/power supply - Suitable for AGM Type batteries, recommended current rating of 90A fixed voltage 13.5V to 14.5V.

4.1 **9900 - PIWIS Tester 3** must be connected and the ignition switched on.

4.2 Select "Diagnostics". **9900 - PIWIS Tester 3** detects the model range.  
Press **Next**. PIWIS Tester III Diagnostics starts.

4.3 Maintenance of vehicle data

4.3.1 **Additional menu** must now be selected by pressing **•F7** . "Create vehicle analysis log (VAL)?" appears. Press **•F11** to confirm.

4.3.2 Select the **Maintenance of vehicle data** function. Press **•F12** until PR numbers appears in the Value group column.

4.3.3 Select **Trim CD value** in the Family column. When you touch the cell behind Trim CD value, the drop-down menu opens.

Select the value **between the installed scope**.

Press **•F12** to change values.

4.3.4 The selected values appear. Press **•F8** to write values. Wait until the following message appears: **Generation of vehicle data is complete. With .....**

Press **•F11** to switch to the control unit overview.

4.4 Adapt coding.

4.4.1 Select all control units by pressing **•Ctrl A** . Press **•F12** to continue.

4.4.2 Switch to the **Coding/programming** menu. Press **•F12** to continue.  
Select **Automatic coding** mode. Press **•F12** to continue.



4.4.3 Wait until the following message appears: **Coding was completed successfully**. Press **•F12** to continue.

Press **•F12** to return to the **Overview** menu.

4.5 Switch off ignition and disconnect **9900 - PIWIS Tester 3**.

4.6 Disconnect the battery charger.

### Scope 1, SportDesign package, front apron

66992340: Sport Design package front apron Labor time: **290 TU**  
Includes: Replacing front apron

63156191 + Sport Design package for front apron and add-on parts Labor time: **110 TU**  
510117101: Includes: Paint the front apron.

### Scope 2, complete SportDesign package without Aerokit

66992345: Sport Design package complete Labor time: **760 TU**  
Includes: Replace front apron and rear apron. Replace charge-air cooler air guides. Replace front and rear bumper.

510117101: SportDesign package for front apron and rear apron and accessories Labor time: **220 TU**  
Includes: Paint front apron and rear apron.

### Scope 3, SportDesign package, Aerokit

66992300: SPORT DESIGN PACKAGE (AEROKIT) Labor time: **225 TU**  
Includes: Replace rear spoiler completely at the rear.

63156191 + SportDesign package Aerokit and add-on parts Labor time: **110 TU**  
510117101: Includes: Paint rear spoiler completely.

**Important Notice:** Technical Bulletins issued by Porsche Cars North America, Inc. are intended only for use by professional automotive technicians who have attended Porsche service training courses. They are written to inform those technicians of conditions that may occur on some Porsche vehicles, or to provide information that could assist in the proper servicing of a vehicle. Porsche special tools may be necessary in order to perform certain operations identified in these bulletins. Use of tools and procedures other than those Porsche recommends in these bulletins may be detrimental to the safe operation of your vehicle, and may endanger the people working on it. Properly trained Porsche technicians have the equipment, tools, safety instructions, and know-how to do the job properly and safely. Part numbers listed in these bulletins are for reference only. The work procedures updated electronically in the Porsche PIWIS diagnostic and testing device take precedence and, in the event of a discrepancy, the work procedures in the PIWIS Tester are the ones that must be followed.

© 2022 Porsche Cars North America, Inc.