

**WLD3 - Replace Engine Mounts and Retrofit Caps (Workshop Campaign)**

Model Line: **911 (992)**

Model Year: **2020**

Equipment: Dynamic engine mounts (PADM) (I-no. JQ3)

Subject: **Engine mount**

Information: **There is a possibility that moisture can get into the dynamic engine mounts (PADM) on the affected vehicles as a result of spray water while driving on wet roads, for example, due to an inadequate seal.**

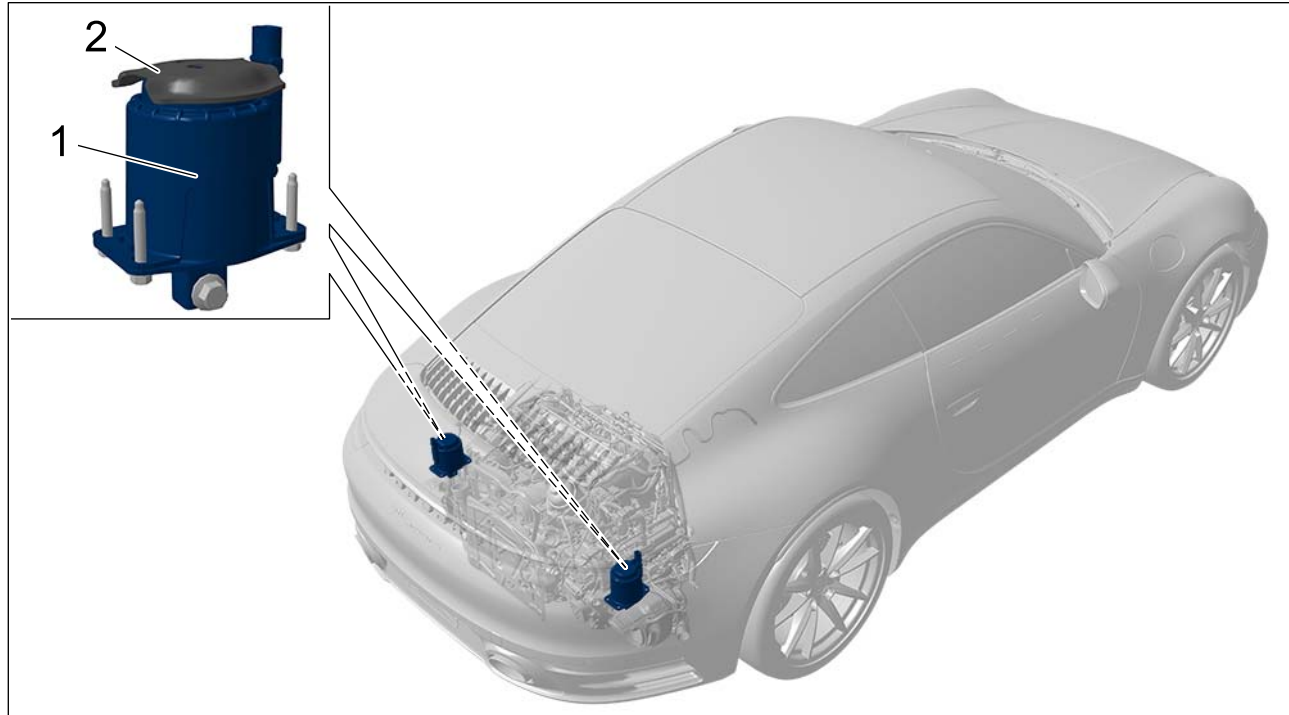
This can cause an electrical fault in the control system for the dynamic engine mounts. If this happens, the engine mount will act like a conventional mount and a corresponding warning message will be displayed in the instrument cluster.

- Remedial Action:
- Replace dynamic engine mounts with engine mounts with an optimized seal
  - Retrofit additional caps on the engine mounts

Affected Vehicles: Only vehicles assigned to the campaign (see also PCSS Vehicle Information). This campaign affects 1018 vehicles in North America.

## Installation

Position:



Overview of engine mounts (PADM)

- 1 – Engine mounts PADM (**replace**)
- 2 – Cap for engine mount (**retrofit**)

**Information**

Please note: The installation position overview only serves as an example view.

The engine mount caps to be retrofitted within the scope of the present campaign differ in shape from those shown and are installed directly onto the relevant engine mount.

**Required parts and materials**

Parts Info:	Part No.	Designation	Qty.
		<b>– Use</b>	
	992199384A	⇒ Engine mounts, dynamic (PADM)	2 ea.
	992199534A	⇒ Cap – for dynamic engine mounts PADM	2 ea.
	PAF107838	⇒ Hexagon-head bolt, M8 x 50 – Engine mount to body	8 ea.

PAF104694	⇒ Hexagon-head bolt, M12 x 1.5 x 70 – Engine mount to engine	2 ea.
PAF008674	⇒ Hexagon-head bolt, M12 x 1.5 x 105 – Lower trailing arm to rear wheel carrier	2 ea.
PAF909664	⇒ Hexagon collar nut, M12 – Lower trailing arm to rear wheel carrier	2 ea.
WHT008676	⇒ Hexagon-head bolt, M12 x 1.5 x 45 – Diagonal brace to rear axle cross member	2 ea.
WHT008740	⇒ Combination screw, M12 x 1.5 x 40 – Diagonal brace to body	2 ea.
PAF008735	⇒ Hexagon-head bolt, M12 x 1.5 x 95 – Rear-axle cross member to outer side panel	2 ea.
PAF008673	⇒ Hexagon-head bolt, M12 x 1.5 x 110 – Rear-axle cross member to inner side panel	2 ea.
PAF013814	⇒ Sealing ring, 14 x 8 – Screw plug for cooling system	2 ea.

**Additional parts required** for vehicles with **standard suspension (I-no. 1P0):**

PAF007957	⇒ Hexagon nut, M10 – Connecting link to anti-roll bar	2 ea.
-----------	--	-------

or

**Additional parts required** for vehicles with **roll stabilization PDCC (I-no. 1P7):**

9A700781900	⇒ Hexagon nut, M12 – PDCC connecting link to anti-roll bar	2 ea.
-------------	---	-------

Materials: **Required materials** (usually already available at the Porsche dealership):

Part No.	Designation – Use	Qty.
00004330516	⇒ Coolant additive, 20-liter container – Cooling system	As much as required (approx. 1 liter required per vehicle)
00004330539	⇒ Klüberplus lubricant, 100g tube – O-rings, seals	As much as required (approx. 5 grams required per vehicle)

## Required tools

Tools: • Suitable transmission and engine jack, e.g. **VAS 6931 Engine and gearbox jack**

- Support plate for engine and gearbox jack, e.g. **VAS 6867 support plate**
- **9696 - Filling device** for cooling system
- **9696/1 - Cap**
- **VAS 6096/2 Vacuum pump**
- **VAG 1274B Tester for Cooling System**
- **9900 - PIWIS Tester 3**
- **VAS 6350A Calibration unit**
- **VAS 6350/4 Calibration Unit for Lane Change Assist**
- **VAS 6350/2A Spacing laser**
- **VAS 6350/7 Locking Pins**
- **9229 - Puller hook**
- **VAS 6918 Quick-Clamping Unit**
- **VAS 6826 Steering wheel balance**
- **9730 - Socket-wrench insert** for toe adjustment
- Torque screwdriver, 1.5–3 Nm (1–2 ftlb.), e.g. **VAS 6494 Torque screwdriver, 1.5-3.0 Nm (1-2 ftlb.)**
- Torque wrench, 2–10 Nm (1.5–7.5 ftlb.), e.g. **VAG 1783 Torque wrench, 2-10 Nm (1.5-7.5 ftlb.)**
- Torque wrench, 6–50 Nm (4.5–37 ftlb.), e.g. **VAG 1331A Torque wrench, 6-50 Nm (4.5-37 ftlb.)**
- Torque wrench, 40–200 Nm (30–148 ftlb.), e.g. **VAG 1332 Torque wrench, 40-200 Nm (30-148 ftlb.)**
- Electronic torque angle torque wrench, e.g. **9768 - Electronic torque wrench, 2 - 100 Nm (1.5 - 74 ftlb.)**
- Battery charger with a current rating of **at least 90 A** and - if required - **also with a current and voltage-controlled charge map** for lithium starter batteries, e.g. **VAS 5908 Battery charger 90A**



### Information

The new 911 (992) comes with either a **lithium starter battery** (I-no. J2A) or an **AGM starter battery** (I-no. JOV, J4K) as standard.

This depends on the following:

- Country version
- Model type
- Vehicle equipment

**Lithium starter batteries** must only be charged using a **suitable battery charger** that has a current and voltage-controlled charge map.

For further information about the battery chargers to be used, see ⇒ *Workshop Manual '270689 Charging battery/vehicle electrical system'*.

## Preparatory work

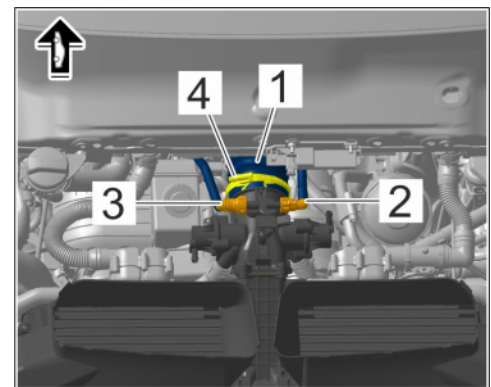
- Work Procedure: 1 Raise the vehicle on a lifting platform ⇒ *Workshop Manual '4X00IN Lifting the vehicle'*.
- 2 Remove both rear wheels ⇒ *Workshop Manual '440519 Removing and installing wheel'*.
- 3 Drain coolant from the engine.
- 3.1 Remove rear underbody cover ⇒ *Workshop Manual '519419 Removing and installing rear cover'*.
- 3.2 Drain coolant at the engine ⇒ *Workshop Manual '193817 Draining and filling coolant'*.
- 4 Remove engine-compartment blower ⇒ *Workshop Manual '198119 Removing and installing engine-compartment blower'*.
- 5 Remove complete rear spoiler unit ⇒ *Workshop Manual '66581900 Removing and installing rear spoiler'*.
- 6 Remove rear apron ⇒ *Workshop Manual '635519 Removing and installing rear apron'*.
- 7 Remove rear bumper ⇒ *Workshop Manual '635019 Removing and installing rear bumper'*.
- 8 Remove charge air cooler.

- 8.1 Loosen air box for throttle valve, lines for positive crankcase ventilation and vacuum lines.

- 8.1.1 Loosen screw-type clamp ⇒ *Air box for throttle valve on charge-air cooler -4-* and pull air box for throttle valve ⇒ *Air box for throttle valve on charge-air cooler -1-* off the charge-air cooler.

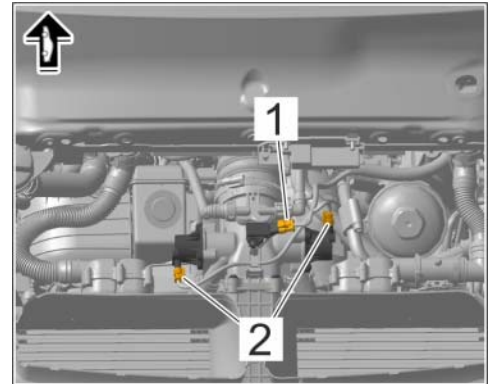
- 8.1.2 Release and disconnect positive crankcase ventilation line ⇒ *Air box for throttle valve on charge-air cooler -2-*.

- 8.1.3 Release and disconnect vacuum line ⇒ *Air box for throttle valve on charge-air cooler -3-*.



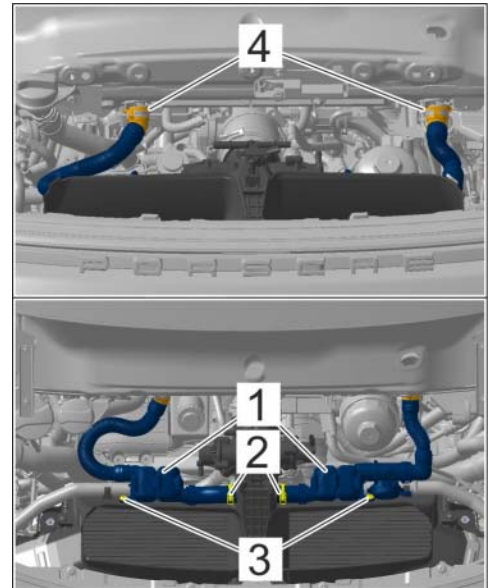
*Air box for throttle valve on charge-air cooler*

- 8.2 Release and disconnect electric plug connections for boost pressure sensor ⇒ *Plug connections for boost pressure sensor and diverter valves -1-* and diverter valves ⇒ *Plug connections for boost pressure sensor and diverter valves -2-*.



*Plug connections for boost pressure sensor and diverter valves*

- 8.3 Remove acoustic simulator at the left and right ⇒ *Acoustic simulator -1-*.
- 8.3.1 Loosen spring band clamps ⇒ *Acoustic simulator -2-* and pull off lines on the charge-air cooler.
- 8.3.2 Loosen and unscrew fastening screws ⇒ *Acoustic simulator -3-*.
- 8.3.3 Release and disconnect plug connections ⇒ *Acoustic simulator -4-* for the acoustic simulator on the body.
- 8.3.4 Remove acoustic simulator ⇒ *Acoustic simulator -1-* at the left and right.

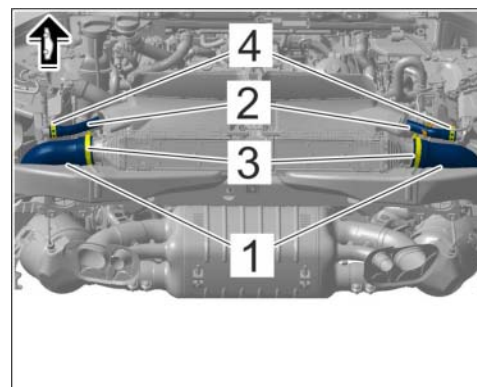


*Acoustic simulator*

8.4 Disconnect pressure hose and recirculating air hose at the left and right on the charge-air cooler.

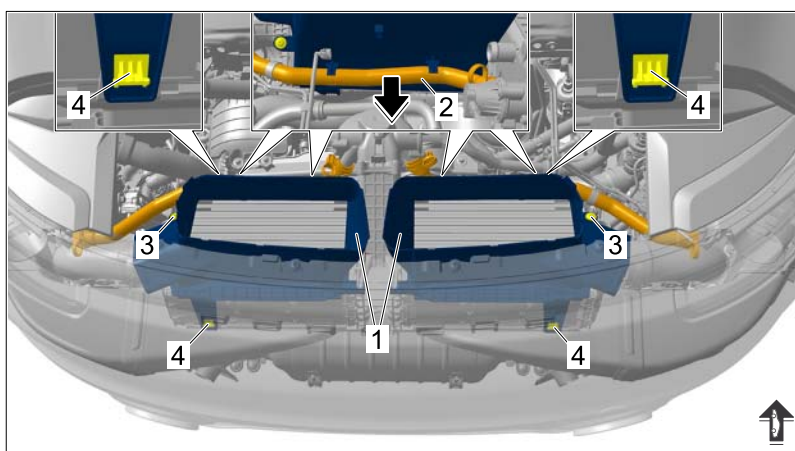
8.4.1 Loosen screw-type clamps ⇒ *Pressure hose and recirculating air hose -3-* and pull off pressure hose ⇒ *Pressure hose and recirculating air hose -1-*.

8.4.2 Loosen spring band clamps ⇒ *Pressure hose and recirculating air hose -4-* and pull off recirculating air hose ⇒ *Pressure hose and recirculating air hose -2-*.



*Pressure hose and recirculating air hose*

8.5 Remove upper air guides for the charge-air cooler.



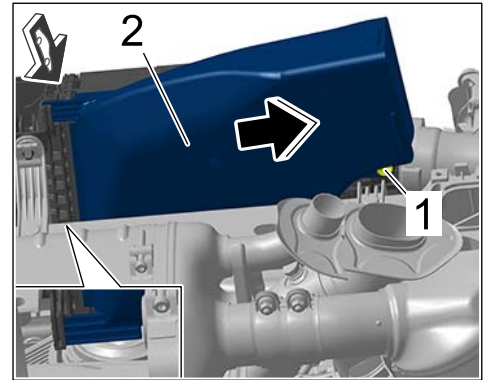
*Upper air guide for charge-air cooler*

8.5.1 Unclip ambient air line at the left and right ⇒ *Upper air guide for charge-air cooler -2-* from the air guides ⇒ *Upper air guide for charge-air cooler -1-*.

8.5.2 Loosen and unscrew fastening screws ⇒ *Upper air guide for charge-air cooler -3-* for left and right air guide.

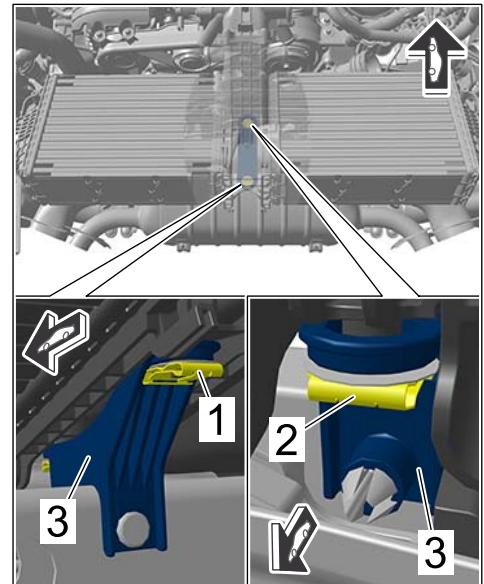
8.5.3 Unclip left and right air guide ⇒ *Upper air guide for charge-air cooler -1-* at the retaining lugs ⇒ *Upper air guide for charge-air cooler -4-* and pull them up off the charge-air cooler.

- 8.6 Remove lower air guide at the right ⇒ *Lower air guide for charge-air cooler -2-* for the charge-air cooler. To do this, loosen and unscrew the fastening screw ⇒ *Lower air guide for charge-air cooler -1-* and pull the air guide to the side and off the charge-air cooler ⇒ *Lower air guide for charge-air cooler -Arrow-*.



*Lower air guide for charge-air cooler*

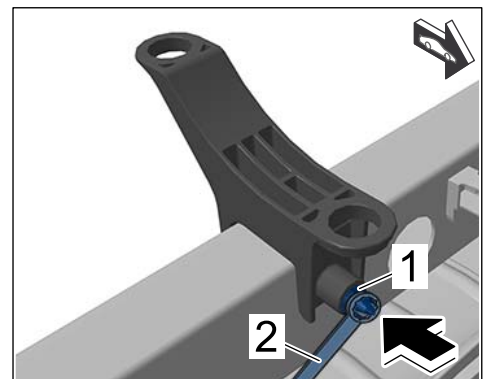
- 8.7 Lever off and remove front fixing clip ⇒ *Loosening charge-air cooler at the holder -1-* and rear fixing clip ⇒ *Loosening charge-air cooler at the holder -2-* for the charge-air cooler at the holder ⇒ *Loosening charge-air cooler at the holder -3-*. Then, remove the charge-air cooler by pulling it up out of the engine compartment. The holder remains on the vehicle initially.



*Loosening charge-air cooler at the holder*

- 8.8 Remove holder for charge-air cooler. To do this, push the fastening pin ⇒ *Removing holder for charge-air cooler -1-* out to the rear from the engine compartment using a ring wrench ⇒ *Removing holder for charge-air cooler -2-* (a/f 8 mm) ⇒ *Removing holder for charge-air cooler -Arrow-*. Pull out the fastening pin fully and remove the holder from the engine compartment.

- 9 Loosen connecting link at the left and right on the anti-roll bar.  
For instructions, see:



*Removing holder for charge-air cooler*



- ⇒ Workshop Manual '429119 Removing and installing connecting link for anti-roll bar'
- ⇒ Workshop Manual '429119 Removing and installing connecting link for anti-roll bar (PDCC)'

**⚠ WARNING**

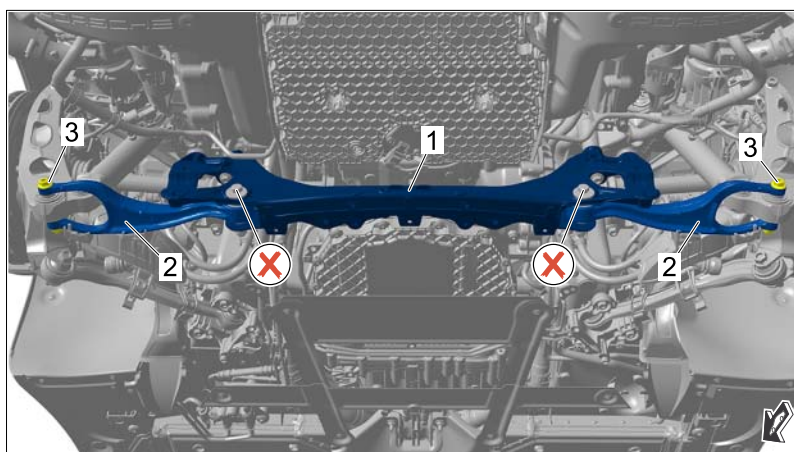
**Chassis setup changed after loosening the eccentric adjusting screws**

- Uncontrollable or unexpected vehicle handling
  - Increased tyre wear
- ⇒ Do not loosen eccentric adjusting screws for trailing arm when removing the rear-axle cross member.
- ⇒ If the eccentric adjusting screws were loosened, perform a complete suspension alignment and adjust the chassis to the specified values.
- ⇒ Marking the adjusting screws and setting them afterwards to the previously applied marking is not permitted.

- 10 Remove rear-axle cross member ⇒ *Removing rear-axle cross member with lower trailing arm -1-* together with the lower trailing arms ⇒ *Removing rear-axle cross member with lower trailing arm -2-*.

Do **not** loosen the **eccentric adjusting screws** for the camber at the threaded joint of the trailing arm on the cross member, but only loosen the threaded joint ⇒ *Removing rear-axle cross member with lower trailing arm -3-* on the lower trailing arm at the wheel carriers.

**However, if the threaded joint of the trailing arm on the rear-axle cross member is loosened, complete suspension alignment must always be performed.**



*Removing rear-axle cross member with lower trailing arm*

For instructions, see:

- ⇒ Workshop Manual '420619 Removing and installing rear axle carrier'
- ⇒ Workshop Manual '421119 Removing and installing trailing arm'

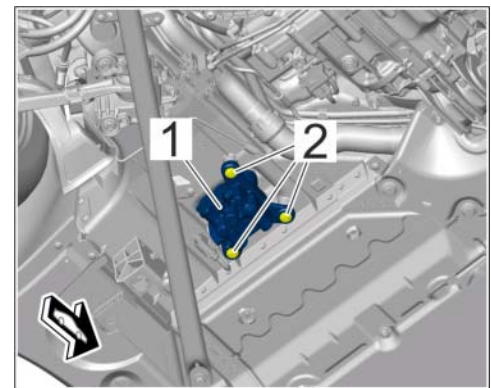


### Information

- The **inner fastening screws** for the rear-axle cross member **cannot be removed initially** when the trailing arms are installed. These can only be removed when the rear-axle cross member is removed and the trailing arms are pressed down. Get another mechanic to help you with this if necessary.
- The anti-roll bar is removed together with the rear-axle cross member. Only the connecting links on the anti-roll bar must be loosened.

- 11 **Only for vehicles with roll stabilization PDCC (I-no. 1P7):** Loosen PDCC lines and valve block at the rear.

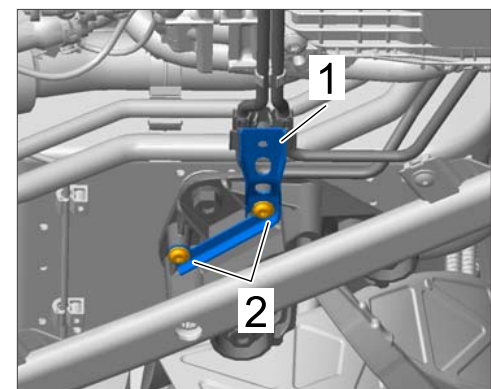
- 11.1 Loosen and unscrew fastening screws ⇒ *Valve block mounting (rear)-2-* for PDCC valve block at the rear ⇒ *Valve block mounting (rear)-1-*.  
Do **not loosen** the PDCC lines on the valve block.



*Valve block mounting (rear)*

- 11.2 Unscrew holder ⇒ *Holder for PDCC lines (picture shows right side)-1-* at the left and right for PDCC lines. To do this, loosen and unscrew the fastening screws ⇒ *Holder for PDCC lines (picture shows right side)-2-*.

- 11.3 Leave PDCC valve block and holder with connected lines hanging down.



*Holder for PDCC lines (picture shows right side)*

- 12 Lower the engine by **90 to 100 mm**.  
**Contrary to the instructions in the Workshop Manual, do not drain and open the refrigerant circuit.**

Instead, lower the engine as far as required until the refrigerant lines on the right-hand side in the engine compartment at the top are touching the body/longitudinal member. Get a second mechanic to monitor this during the lowering process if necessary.

For instructions, see ⇒ *Workshop Manual '100109 Lowering the engine'*.

Replacing engine mounts and retrofitting caps

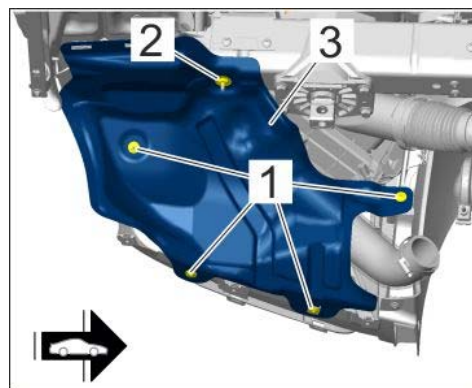


**Information**

The procedure for removing and installing is described on one side as an example, but **both engine mounts must be replaced**.

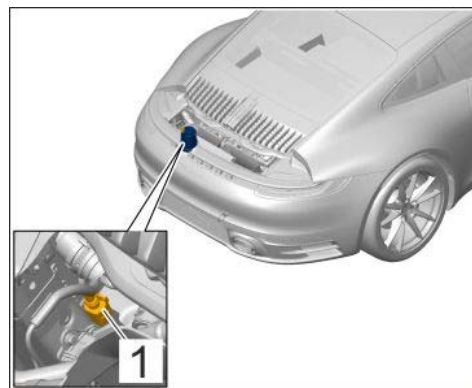
The procedure for removing and installing both engine mounts is practically identical.

- Work Procedure: 1 Remove heat shield ⇒ *Heat shield on rear bracket (left side)* -3- on the rear bracket.  
 To do this, loosen and unscrew the fastening screws ⇒ *Heat shield on rear bracket (left side)* -1- and fastening nut ⇒ *Heat shield on rear bracket (left side)* -2-.



*Heat shield on rear bracket (left side)*

- 2 Release and disconnect electric plug connection ⇒ *Plug connection for PADM engine mount* -1- on the engine mount.  
 3 Remove engine mount.



*Plug connection for PADM engine mount*



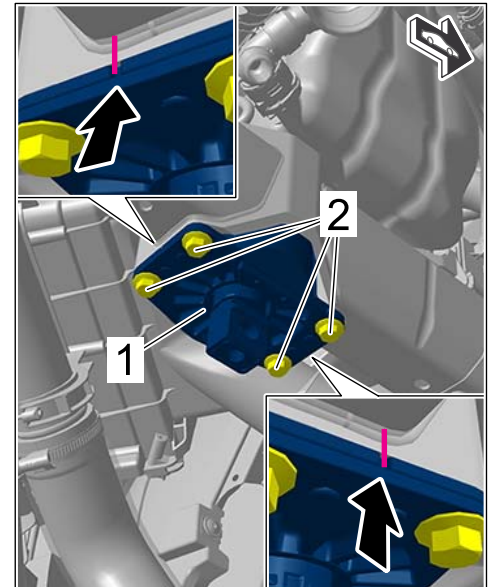
**Information**

The engine mounts must be **installed perfectly with a defined distance between them** in the vehicle for optimum functioning so that the mounts are not too tight after installing the engine.

**However, it is not possible to measure the distance between the engine mounts when the engine is lowered.**

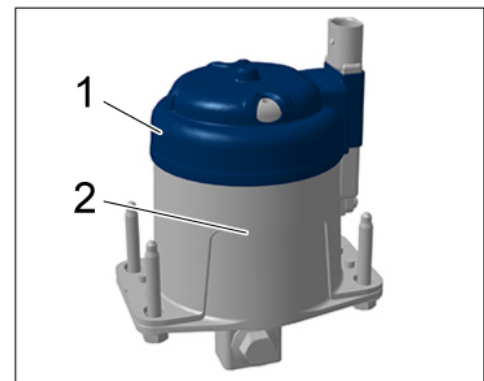
It is important, therefore, to **mark the position** of the engine mounts **before removal** and **restore** this position during subsequent installation.

- 3.1 Mark the position of the engine mount  
⇒ *Removing engine mounting -1-* on the bodyshell.  
There is a corresponding notch ⇒ *Removing engine mounting -Arrows-* at the front and rear in the engine mount housing when viewed in direction of travel.
- 3.2 Loosen and unscrew fastening screws ⇒ *Removing engine mounting -2-*. Then, remove the engine mount.



*Removing engine mounting*

- 4 Install the cap to be retrofitted on the **new engine mount**.  
For this purpose, thread the electric plug connection through the cap ⇒ *Installing cap -1-* and then push the cap as far as it will go onto the engine mount ⇒ *Installing cap -2-*.

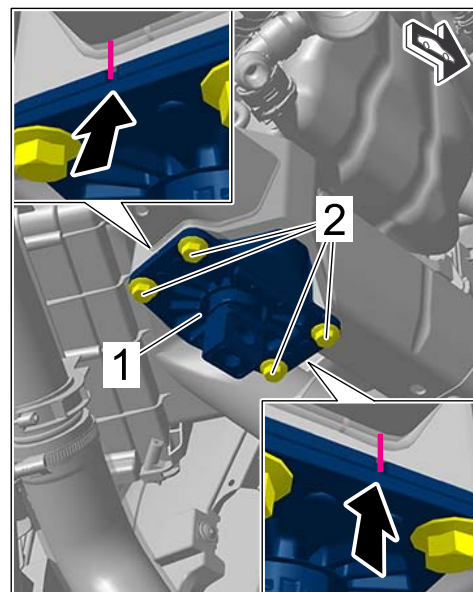


*Installing cap*

Part No.	Designation	Qty.
992199534A	Cap	2 ea.
992199384A	Engine mount	2 ea.

5 Install the new engine mount with installed cap.

- 5.1 Position new engine mount ⇒ *Installing engine mounting -1-* in installation position on the bodyshell.  
Screw in fastening screws ⇒ *Installing engine mounting -2-* hand-tight, but do not tighten them initially.



*Installing engine mounting*

Part No.	Designation	Qty.
PAF107838	Hexagon-head bolt, M8 x 50	8 ea.



**Information**

The engine mounts must be **installed perfectly with a defined distance between them** in the vehicle for optimum functioning so that the mounts are not too tight after installing the engine.

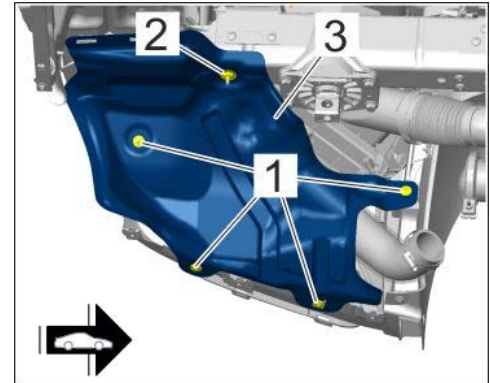
However, it is not possible to measure the distance between the engine mounts when the engine is lowered.

It is important, therefore, to **restore the position of the engine mounts marked** before removal during installation.

- 5.2 Align engine mount according to the marking applied earlier ⇒ *Installing engine mounting -Arrows-* on the bodyshell.  
**Permissible deviation: max. +/- 1 mm**
- 5.3 Screw in fastening screws ⇒ *Installing engine mounting -2-* for engine mount and tighten using the two-step tightening procedure.
- **Initial tightening 16 Nm (12 ftlb.)**
  - **Final tightening +30°**

6 Connect electric plug connection to the engine mount until you hear and feel the connector engaging.

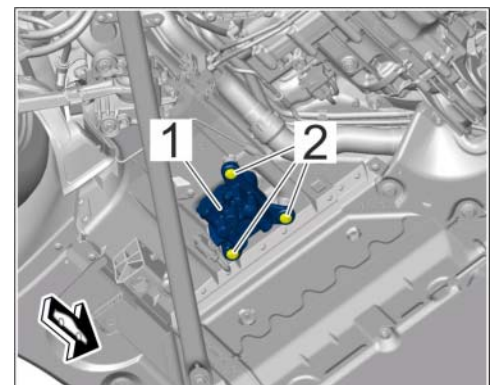
- 7 Install heat shield ⇒ *Heat shield on rear bracket (left side)*-3- on the rear bracket.  
To do this, position the heat shield and screw in and tighten the fastening screws ⇒ *Heat shield on rear bracket (left side)*-1- and fastening nut ⇒ *Heat shield on rear bracket (left side)*-2-.
- Fastening screws: **Tightening torque 2.5 Nm (1.75 ftlb.)**
  - Fastening nut: **Tightening torque 2.5 Nm (1.75 ftlb.)**



*Heat shield on rear bracket (left side)*

## Concluding work

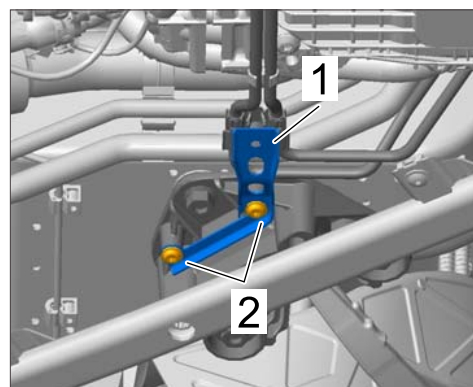
- Work Procedure: 1 Raise the engine to installation position and secure it ⇒ *Workshop Manual '100109 Lowering the engine'*.
- 2 **Only for vehicles with roll stabilization PDCC (I-no. 1P7):** Secure PDCC lines and valve block at the rear.
- 2.1 Lift PDCC valve block and holder with connected lines into installation position and position them.
- 2.2 Screw in and tighten fastening screws ⇒ *Valve block mounting (rear)*-2- for PDCC valve block at the rear ⇒ *Valve block mounting (rear)*-1-.  
**Tightening torque 10 Nm (7.5 ftlb.)**



*Valve block mounting (rear)*



- 2.3 Secure holder ⇒ *Holder for PDCC lines (picture shows right side)* -1- at the left and right for PDCC lines. To do this, screw in and tighten the fastening screws ⇒ *Holder for PDCC lines (picture shows right side)* -2-.
- Tightening torque 10 Nm (7.5 ftlb.)**



*Holder for PDCC lines (picture shows right side)*

- 3 Install rear axle carrier together with the lower trailing arms.
- For instructions, see:  
 ⇒ *Workshop Manual '420619 Removing and installing rear axle carrier'*  
 ⇒ *Workshop Manual '421119 Removing and installing trailing arm'*

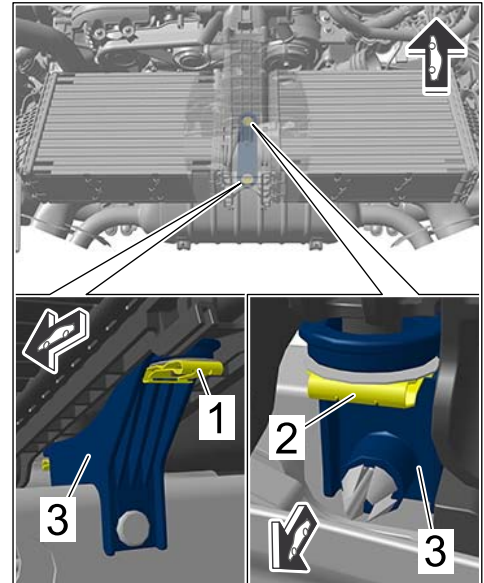
Part No.	Designation – Use	Qty.
PAF008735	Hexagon-head bolt, M12 x 1.5 x 95 – Rear-axle cross member to outer side panel	2 ea.
PAF008673	Hexagon-head bolt, M12 x 1.5 x 110 – Rear-axle cross member to inner side panel	2 ea.
PAF008674	Hexagon-head bolt, M12 x 1.5 x 105 – Lower trailing arm to rear wheel carrier	2 ea.
PAF909664	Hexagon collar nut, M12 – Lower trailing arm to rear wheel carrier	2 ea.

- 4 Secure connecting link at the left and right on the anti-roll bar.
- For instructions, see:  
 ⇒ *Workshop Manual '429119 Removing and installing connecting link for anti-roll bar'*  
 ⇒ *Workshop Manual '429119 Removing and installing connecting link for anti-roll bar (PDCC)'*

Part No.	Designation – Use	Qty.
PAF007957	Hexagon nut, M10 – Connecting link to anti-roll bar, <b>I-no. 1P0</b>	2 ea.
<b>or:</b>		
9A700781900	Hexagon nut, M12 – PDCC connecting link to anti-roll bar, <b>I-no. 1P7</b>	2 ea.

- 5 Install charge-air cooler. First install the **holder** and the **air guides** on the **removed charge-air cooler**.

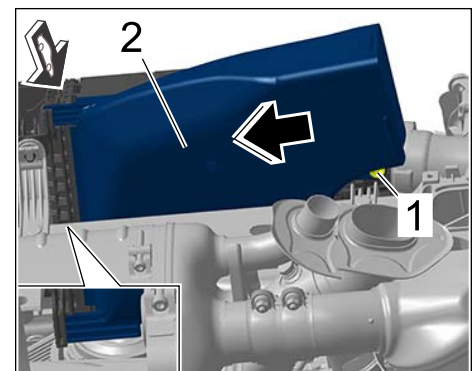
- 5.1 Position holder ⇒ *Charge-air cooler holder (shown when installed)*-**3**- for charge-air cooler on the charge-air cooler and secure with the fixing clips ⇒ *Charge-air cooler holder (shown when installed)*-**1, 2**-.



*Charge-air cooler holder (shown when installed)*

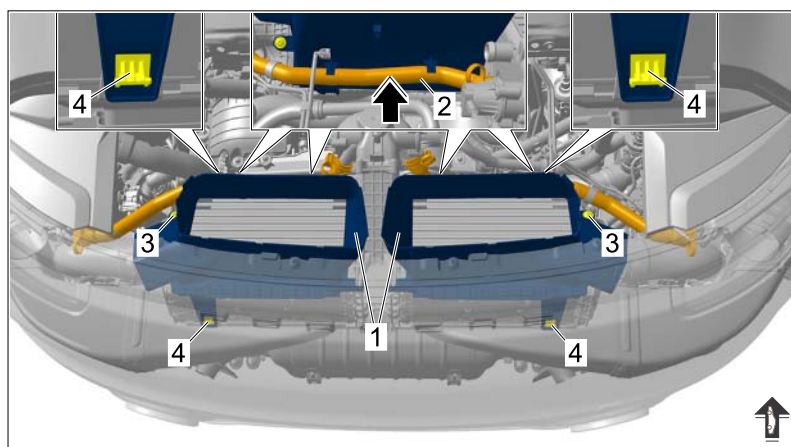
- 5.2 Position lower air guide at the right ⇒ *Lower air guide for charge-air cooler*-**2**- on the charge-air cooler ⇒ *Lower air guide for charge-air cooler*-**Arrow**- and secure with the fastening screw ⇒ *Lower air guide for charge-air cooler*-**1**-.

- 5.3 Install upper air guides at the left and right on the charge-air cooler.



*Lower air guide for charge-air cooler*





Upper air guide for charge-air cooler

- 5.3.1 Position left and right air guides ⇒ *Upper air guide for charge-air cooler -1-* on the charge-air cooler and clip them in at the retaining lugs ⇒ *Upper air guide for charge-air cooler -4-*.
- 5.3.2 Screw in and tighten fastening screws ⇒ *Upper air guide for charge-air cooler -3-* for left and right air guide.
- 5.3.3 Clip in ambient air line at the left and right ⇒ *Upper air guide for charge-air cooler -2-* on the air guides ⇒ *Upper air guide for charge-air cooler -Arrow-*.
- 5.4 Install charge-air cooler ⇒ *Workshop Manual '214319 Removing and installing charge-air cooler'*.
- 6 Install rear spoiler unit ⇒ *Workshop Manual '66581900 Removing and installing rear spoiler'*.
- 7 Install rear bumper ⇒ *Workshop Manual '635019 Removing and installing rear bumper'*.
- 8 Fill the cooling system, bleed it and check for leaks.

**NOTICE**

**Overheating due to accumulated exhaust gas.**

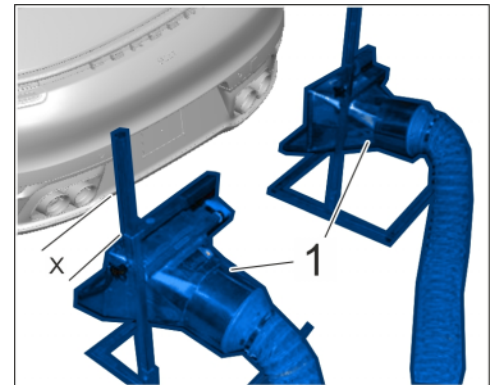
Rear Apron must **NOT** be installed prior to the coolant system bleeding procedures. Extreme exhaust system heat is generated during the bleeding procedure and **WILL DAMAGE** the rear bumper apron if the work procedure sequence is not followed.

- **Damage to paintwork on rear apron**
- **Deformed plastic components in the rear area**
- ⇒ **Position exhaust extraction system some distance behind the vehicle and switch it on.**
- ⇒ **If it is not possible to position the extraction system some distance away from the vehicle, carry out the process outdoors.**

**Information**

To prevent damage to the vehicle when using an exhaust extraction system, always pay particular attention to the following points:

- **Make sure the extraction funnel ⇒ Exhaust extraction system -1- is 300 mm ⇒ Exhaust extraction system -x- away from the tailpipes.**
- Make sure that all exhaust gas is extracted. Adjust the height of the extraction funnel ⇒ Exhaust extraction system -1- if necessary.



Exhaust extraction system

For instructions, see:

- ⇒ Workshop Manual '193817 Draining and filling coolant'
- ⇒ Workshop Manual '190107 Bleeding the cooling system'
- ⇒ Workshop Manual '190101 Checking the cooling system'

- 9 Install rear apron ⇒ Workshop Manual '635519 Removing and installing rear apron'.
- 10 Install rear underbody cover ⇒ Workshop Manual '519419 Removing and installing rear cover'.
- 11 Install both rear wheels ⇒ Workshop Manual '440519 Removing and installing wheel'.
- 12 Measure wheel alignment values on the rear axle and adjust them if necessary.  
To do this, raise the vehicle on a measuring platform.  
⇒ Workshop Manual '449503 Performing front and rear suspension alignment'  
⇒ Workshop Manual '4495TW Adjustment values for suspension alignment'
- 13 **Only for vehicles with Lane Change Assist (I-no. 7Y1):** Calibrate Lane Change Assist.  
⇒ Workshop Manual '917025 Calibrating Lane Change Assist'
- 14 **Only for vehicles with reversing camera (I-no. KA2, KA6):** Calibrate reversing camera.  
⇒ Workshop Manual '914325 Calibrating reversing camera'
- 15 Enter the campaign in the Warranty and Maintenance booklet.

Warranty processing



**Information**

The specified working times were determined specifically for carrying out this campaign and may differ from the working times published in the Labor Operation List in PCSS.

The working time includes the time **required for measuring vehicle height as well as camber and toe adjustment values** on the rear axle after carrying out the campaign. All tasks required for **adjusting wheel positions** and parts required during adjustment are **not** included in the **scope of this campaign** and must be invoiced using a separate warranty claim.

Scope 1: **Replacing engine mounts and retrofitting caps**

- Vehicles **with Lane Change Assist (I-no. 7Y1)**
- Vehicles **with reversing camera (I-no. KA2 or KA6)**
- Vehicles with **Lane Change Assist and reversing camera**

**Working time:**

Replacing engine mounts and retrofitting caps

Labor time: **778 TU**

- Includes:
- Removing and installing both rear wheels
  - Draining and filling coolant, bleeding and checking the cooling system
  - Removing and installing cover for rear underbody
  - Removing and installing rear apron
  - Removing and installing rear bumper
  - Removing and installing rear spoiler unit
  - Removing and installing charge-air cooler
  - Removing and installing rear axle carrier with lower trailing arms
  - Loosening and securing PDCC lines (if installed)
  - Lowering engine by 90 to 100 mm and securing it
  - Measuring vehicle height as well as camber and toe adjustment values on rear axle
  - Calibrating Lane Change Assist
  - Calibrating reversing camera

**Parts required:**

992199384A	Engine mounts, dynamic (PADM)	2 ea.
992199534A	Cap	2 ea.
PAF107838	Hexagon-head bolt, M8 x 50	8 ea.
PAF104694	Hexagon-head bolt, M12 x 1.5 x 70	2 ea.

PAF008674	Hexagon-head bolt, M12 x 1.5 x 105	2 ea.
PAF909664	Hexagon collar nut, M12	2 ea.
WHT008676	Hexagon-head bolt, M12 x 1.5 x 45	2 ea.
WHT008740	Combination screw, M12 x 1.5 x 40	2 ea.
PAF008735	Hexagon-head bolt, M12 x 1.5 x 95	2 ea.
PAF008673	Hexagon-head bolt, M12 x 1.5 x 110	2 ea.
PAF013814	Sealing ring, 14 x 8	2 ea.
<b>Additional parts required for vehicles with standard suspension (I-no. 1P0):</b>		
PAF007957	Hexagon nut, M10	2 ea.
<b>Additional parts required for vehicles with roll stabilization PDCC (I-no. 1P7):</b>		
9A700781900	Hexagon nut, M12	2 ea.
<b>Required materials:</b>		
00004330516	Coolant additive, 20-liter container	0.05 ea. (= approx. 1 liter)
00004330539	Klüberplus lubricant, 100g tube	0.05 ea. (= approx. 5 grams)
⇒ <b>Damage Code WLD3 066 000 2</b>		

Scope 2: **Replacing engine mounts and retrofitting caps**

- Vehicles **without** Lane Change Assist and reversing camera

**Working time:**

Replacing engine mounts and retrofitting caps

Labor time: **702 TU**

Includes:

- Removing and installing both rear wheels
- Draining and filling coolant, bleeding and checking the cooling system
- Removing and installing cover for rear underbody
- Removing and installing rear apron
- Removing and installing rear bumper
- Removing and installing rear spoiler unit
- Removing and installing charge-air cooler
- Removing and installing rear axle carrier with lower trailing arms
- Loosening and securing PDCC lines (if installed)

Lowering engine by 90 to 100 mm and securing it  
 Measuring vehicle height as well as camber and toe  
 adjustment values on rear axle

**Parts required:**

992199384A	Engine mounts, dynamic (PADM)	2 ea.
992199534A	Cap	2 ea.
PAF107838	Hexagon-head bolt, M8 x 50	8 ea.
PAF104694	Hexagon-head bolt, M12 x 1.5 x 70	2 ea.
PAF008674	Hexagon-head bolt, M12 x 1.5 x 105	2 ea.
PAF909664	Hexagon collar nut, M12	2 ea.
WHT008676	Hexagon-head bolt, M12 x 1.5 x 45	2 ea.
WHT008740	Combination screw, M12 x 1.5 x 40	2 ea.
PAF008735	Hexagon-head bolt, M12 x 1.5 x 95	2 ea.
PAF008673	Hexagon-head bolt, M12 x 1.5 x 110	2 ea.
PAF013814	Sealing ring, 14 x 8	2 ea.

**Additional parts required for vehicles with standard suspension (I-no. 1P0):**

PAF007957	Hexagon nut, M10	2 ea.
-----------	------------------	-------

**Additional parts required for vehicles with roll stabilization PDCC (I-no. 1P7):**

9A700781900	Hexagon nut, M12	2 ea.
-------------	------------------	-------

**Required materials:**

00004330516	Coolant additive, 20-liter container	0.05 ea. (= approx. 1 liter)
00004330539	Klüberplus lubricant, 100g tube	0.05 ea. (= approx. 5 grams)

⇒ Damage Code WLD3 066 000 2

**Important Notice:** Technical Bulletins issued by Porsche Cars North America, Inc. are intended only for use by professional automotive technicians who have attended Porsche service training courses. They are written to inform those technicians of conditions that may occur on some Porsche vehicles, or to provide information that could assist in the proper servicing of a vehicle. Porsche special tools may be necessary in order to perform certain operations identified in these bulletins. Use of tools and procedures other than those Porsche recommends in these bulletins may be detrimental to the safe operation of your vehicle, and may endanger the people working on it. Properly trained Porsche technicians have the equipment, tools, safety instructions, and know-how to do the job properly and safely. Part numbers listed in these bulletins are for reference only. The work procedures updated electronically in the Porsche PIWIS diagnostic and testing device take precedence and, in the event of a discrepancy, the work procedures in the PIWIS Tester are the ones that must be followed.