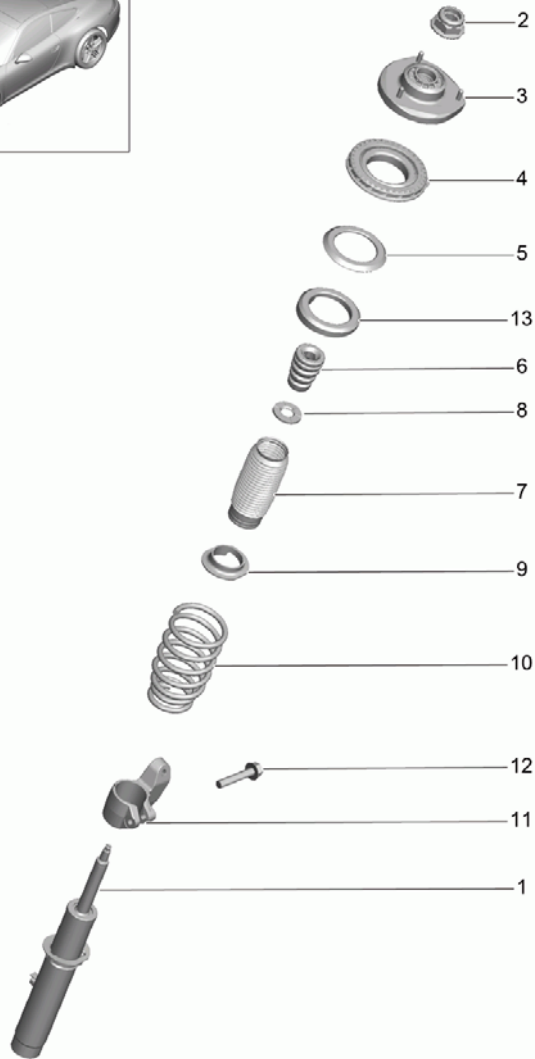


Model	Year	MG	SG	Illustration	Restrictions	UPD	13:15	02.02.2014	PORSCHE	PET	PORSCHE
991	2014	4	02	402-00		335					

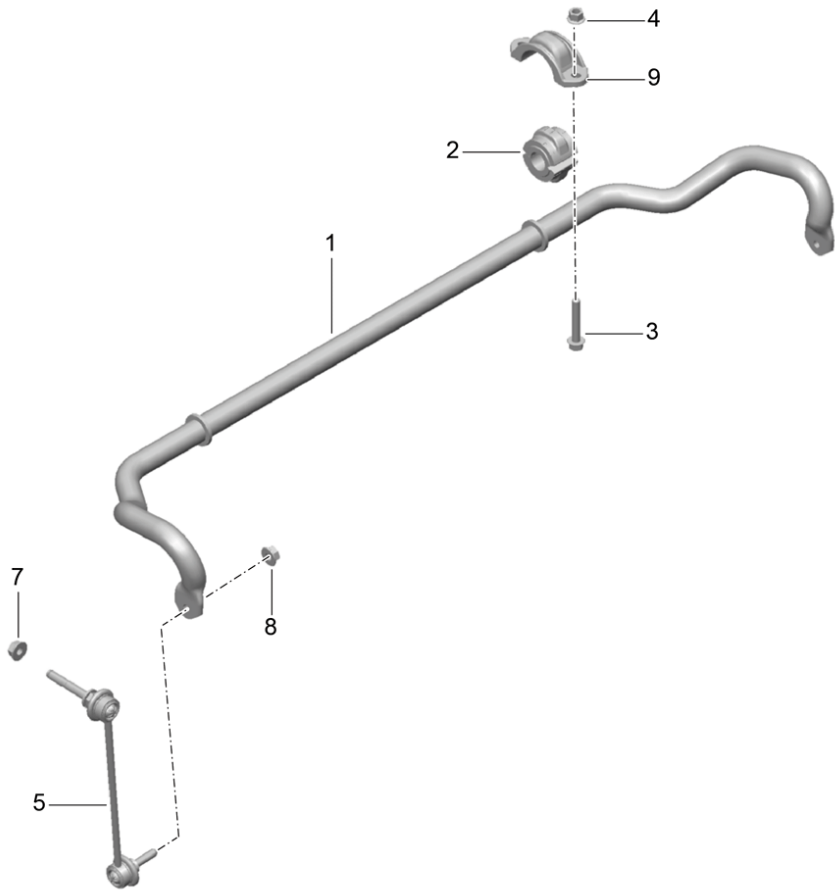
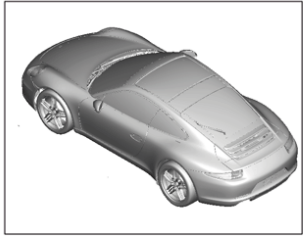


Pos	Part Number	Description	Remark	Qty	Model
1	991 343 041 05	vibration damper shock absorber	-12	2	I029
(1)	991 343 041 06	shock absorber	13-	2	I029
(1)	991 343 045 10	shock absorber	-12	2	COUPE I030/031
(1)	991 343 045 13	shock absorber	13-	2	COUPE I030/031
(1)	991 343 045 09	shock absorber	12-	2	I352/475
(1)	991 343 045 12	shock absorber	13-	2	I352/475/477
		mount shock absorber wheel carrier			
-	999 072 851 01	hexagon-head bolt AM 12 X 1,5 X 70		2	I031/352
-	999 084 445 09	lock nut M 12 X 1,5		2	
2	999 084 133 01	hexagon nut M 14 X 1,5		2	
3	991 343 015 02	supporting mount		2	
-	999 084 447 01	hexagon nut M 8		6	
-	991 343 571 00	spacer	13-	2	I477
4	991 343 501 02	bearing		2	
5	991 343 513 00	washer see technical manual 40 85 37		2	
6	991 343 301 04	additional spring		2	I029
(6)	991 343 301 05	additional spring		2	COUPE I030/031
(6)	991 343 301 03	additional spring		2	I352 I475 I477
7	991 343 509 02	bellows		2	I029 I352/475
(7)	991 343 509 01	bellows		2	COUPE I030
8	991 343 561 00	washer		2	
9	991 343 525 02	base lower		2	
10	991 343 531 06	coil spring		2	Carrera 2 I029

Model	Year	MG	SG	Illustration	Restrictions	UPD	13:15	02.02.2014	PORSCHE	PET	PORSCHE
991	2014	4	02	402-00		335					

Pos	Part Number	Description	Remark	Qty	Model	Pos	Part Number	Description	Remark	Qty	Model
	504	set identification pale orange Fire Red				-	991 618 465 08	control unit	13-	1	IIY2/029/140
(10)	991 343 531 08	coil spring		2	Carrera 2 I030	-	991 618 440 05	control unit	-13	1	-IIY2 COUPE I030 I031 I352 I475
	504	set identification yellow-green brown			Coupe						
(10)	991 343 531 10	coil spring		2	Carrera 2 I352/475	-	991 618 440 08	control unit	13-	1	IIY2 COUPE I030 COUPE I031 I352 I475 I477
	504	set identification light blue yellow-green			I352/477						
(10)	991 343 531 23	coil spring		2	Carrera 4 I029	-	991 618 440 10	control unit	14-	1	-IIY2 COUPE I030 COUPE I031 I352 I475 I477
	504	set identification Zinc Yellow light blue									
(10)	991 343 531 13	coil spring		2	Carrera 4 I030/031	-	991 618 450 05	control unit	-13	1	-IIY2 COUPE I030/140 COUPE I031/140 I140/352 I140/475
	504	set identification yellow-green violet									
(10)	991 343 531 24	coil spring		2	Carrera 4 I352/475/477	-	991 618 450 08	control unit	13-	1	IIY2 COUPE I030/140 COUPE I031/140 I140/352 I140/475 I140/477
	504	set identification pink Fire Red									
11	991 343 081 00	support	/L	1	COUPE I031 I352						
(11)	991 343 080 00	support	/R	1	COUPE I031 I352						
12	999 072 833 01	hexagon-head bolt AM 10 X 55		2	COUPE						
13	991 343 511 01	desk pad		2							
-	991 343 125 00	insert		2							
14	991 606 111 00	acceleration sensor body		2							
-	900 378 173 01	hexagon-head bolt M 6 X 20 PA		2							
-	991 618 465 05	control unit		1	-IIY2/I029 I140						

Model	Year	MG	SG	Illustration	Restrictions	UPD	13:15	02.02.2014	PORSCHE	PET	PORSCHE
991	2014	4	02	402-05		335					

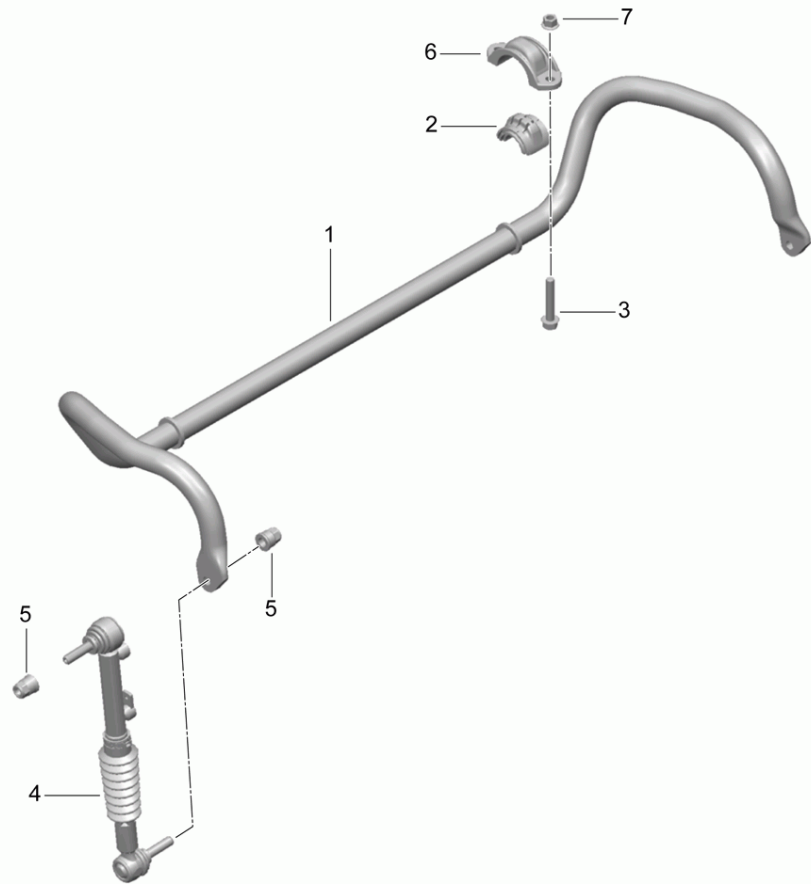
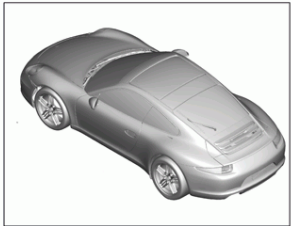


Pos	Part Number	Description	Remark	Qty	Model
1	991 343 705 15	stabiliser carrera 2			
(1)	991 343 705 15	stabiliser	12-	1	I008/029/219 I487
(1)	991 343 705 15	stabiliser	12-	1	I008/029/219 I250
(1)	991 343 705 15	stabiliser	12-	1	I008/219/475 I487
(1)	991 343 705 15	stabiliser	12-	1	I008/219/250 I475
(1)	991 343 705 15	stabiliser	12-	1	I008/220/475 I487
(1)	991 343 705 15	stabiliser	12-	1	I008/221/250 I475
(1)	991 343 705 15	stabiliser	13-	1	I008/219/477 I487
(1)	991 343 705 15	stabiliser	13-	1	I008/219/250 I477
(1)	991 343 705 14	stabiliser	12-	1	COUPE I008/030/220 I487
(1)	991 343 705 14	stabiliser	12-	1	COUPE I008/030/221 I250
(1)	991 343 705 14	stabiliser	12-	1	I009/220/475 I487
(1)	991 343 705 14	stabiliser	12-	1	I009/221/250 I475
(1)	991 343 705 15	stabiliser	13-	1	I009/220/477 I487
(1)	991 343 705 15	stabiliser	13-	1	I009/221/250 I477
(1)	991 343 705 14	stabiliser	12-	1	COUPE I009/030/220 I487
(1)	991 343 705 14	stabiliser	12-	1	COUPE I009/030/221 I250
(1)	991 343 705 15	stabiliser	13-	1	I008/029/219 I487
(1)	991 343 705 15	stabiliser	13-	1	I008/029/219 I250
(1)	991 343 705 15	stabiliser	13-	1	I008/219/475 I487

Model	Year	MG	SG	Illustration	Restrictions	UPD	13:15	02.02.2014	PORSCHE	PET	PORSCHE
991	2014	4	02	402-05		335					

Pos	Part Number	Description	Remark	Qty	Model	Pos	Part Number	Description	Remark	Qty	Model
(1)	991 343 705 15	stabiliser	13-	1	I008/219/250 I475	8	999 084 123 09	hexagon nut M 10		2	
(1)	991 343 705 15	stabiliser	13-	1	I008/029/219 I487	9	991 343 777 00	clip		2	
(1)	991 343 705 15	stabiliser	13-	1	I008/220/475 I487						
(1)	991 343 705 15	stabiliser	13-	1	I008/221/250 I475						
(1)	991 343 705 15	stabiliser	13-	1	I008/219/477 I487						
(1)	991 343 705 15	stabiliser	13-	1	I008/219/250 I477						
(1)	991 343 705 14	stabiliser	13-	1	COUPE I008/030/220 I487						
(1)	991 343 705 14	stabiliser	13-	1	COUPE I008/030/221 I250						
(1)	991 343 705 15	stabiliser	13-	1	I009/220/475 I487						
(1)	991 343 705 15	stabiliser	13-	1	I009/221/250 I475						
(1)	991 343 705 15	stabiliser	13-	1	I009/220/477 I487						
(1)	991 343 705 15	stabiliser	13-	1	I009/221/250 I477						
(1)	991 343 705 14	stabiliser	13-	1	COUPE I009/030/220 I487						
(1)	991 343 705 14	stabiliser	13-	1	COUPE I009/030/221 I250						
2	991 343 792 08	stabiliser mounting		2							
2	991 343 792 13	stabiliser mounting		2	COUPE I030						
3	999 072 836 01	hexagon-head bolt AM 10 x 60		4							
4	900 380 008 01	hexagon nut M 10		4							
5	991 343 069 02	stabiliser mounting	/L	1							
(5)	991 343 070 02	stabiliser mounting	/R	1							
7	999 084 445 01	lock nut M 12 X 1,5		2							

Model	Year	MG	SG	Illustration	Restrictions	UPD	13:16	02.02.2014	PORSCHE	PET	PORSCHE
991	2014	4	02	402-10		335					



Pos	Part Number	Description	Remark	Qty	Model
		stabiliser PDCC			I031/352
1	U 991 343 703 00	stabiliser		1	COUPE I031
1	991 343 703 10	stabiliser		1	COUPE I031
(1)	U 991 343 703 00	stabiliser		1	COUPE I352 CABRIO I352
(1)	991 343 703 10	stabiliser		1	COUPE I352 CABRIO I352
2	991 343 793 02	stabiliser mounting		4	COUPE I031
(2)	991 343 793 02	stabiliser mounting		4	COUPE I352 CABRIO I352
3	N 107 069 01	hexagon-head bolt M 10 X 55		4	
4	991 359 083 03	damper		2	
5	999 084 132 01	hexagon nut M 12		4	
6	991 343 777 00	clip		2	
7	900 380 008 01	hexagon nut M 10 X 1,5		4	