

ACCESSORIES AND BODY, CAB

92 - Windshield Wiper And Washer System - 911 Carrera (991)

WM 921219 REMOVING AND INSTALLING RAIN SENSOR (ALL MODELS)

PRELIMINARY WORK

1. Remove radio antenna. → [914719 REMOVING AND INSTALLING RADIO ANTENNA](#) - section on "Removing"
1. Unplug electric plug connection for rain sensor -**arrow**- .

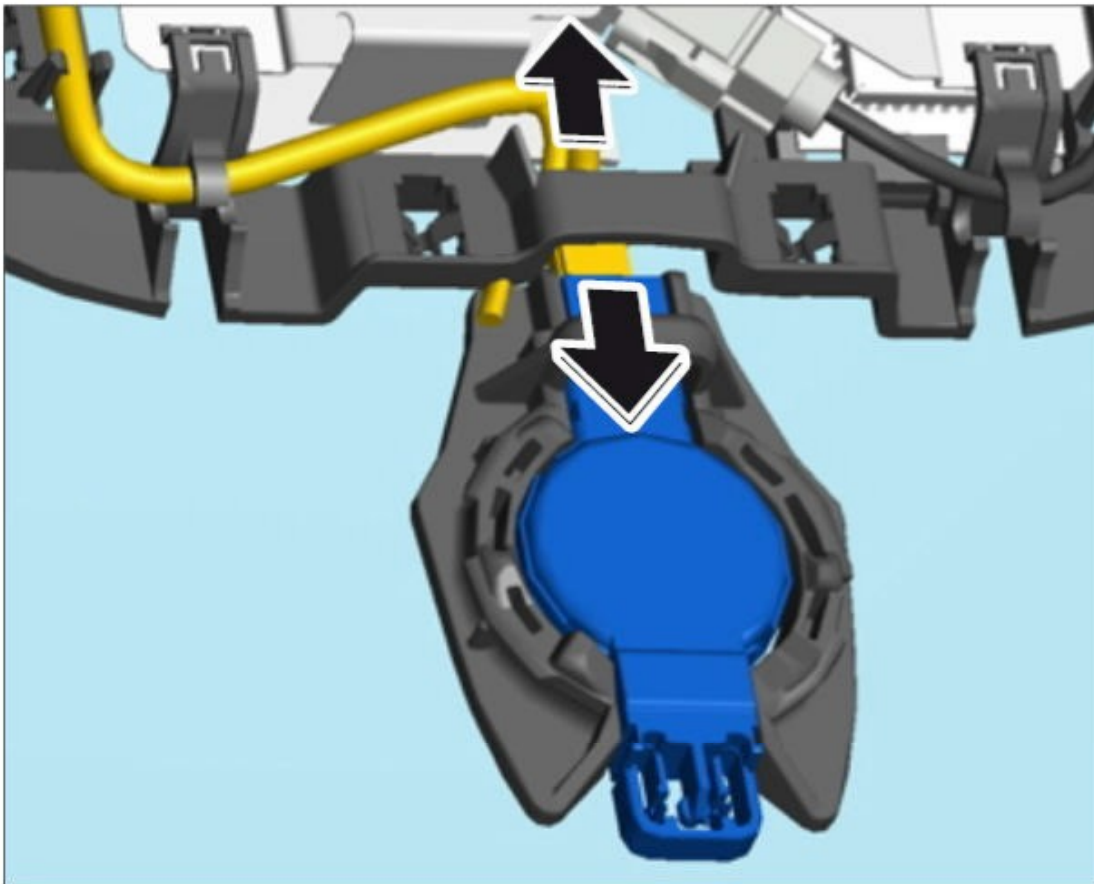


Fig. 1: Removing Rain Sensor Plug Connection

Courtesy of PORSCHE CARS NORTH AMERICA, INC.

2. Using a plastic spatula, carefully lever the rain sensor -1- out of the adhesive plate -2- .

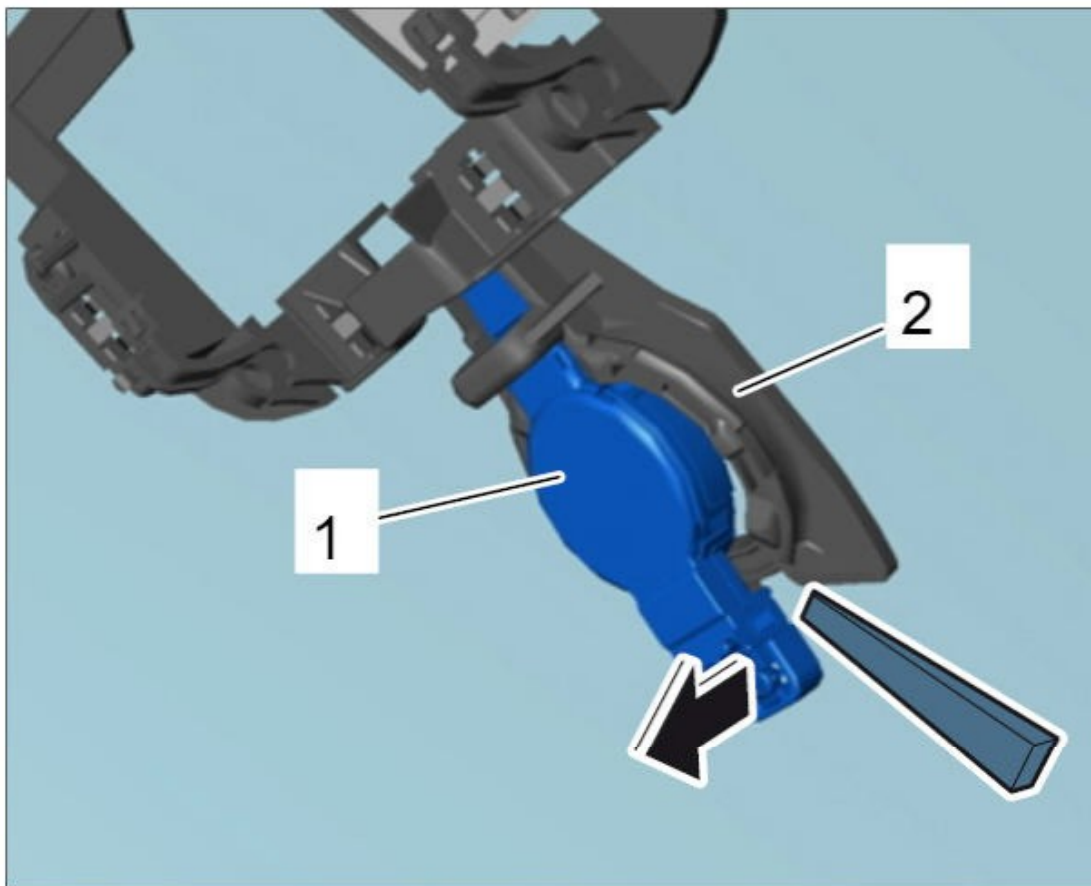


Fig. 2: Removing Rain Sensor

Courtesy of PORSCHE CARS NORTH AMERICA, INC.

3. Remove any possible silicone residue from the removal of the rain sensor.

1. Remove front roof trim panel → [708319 REMOVING AND INSTALLING FRONT ROOF TRIM PANEL](#) - section on "Removing"

2. Unclip plug connection **-1-** (**-arrow A-**) and disconnect it **-arrow B-**.

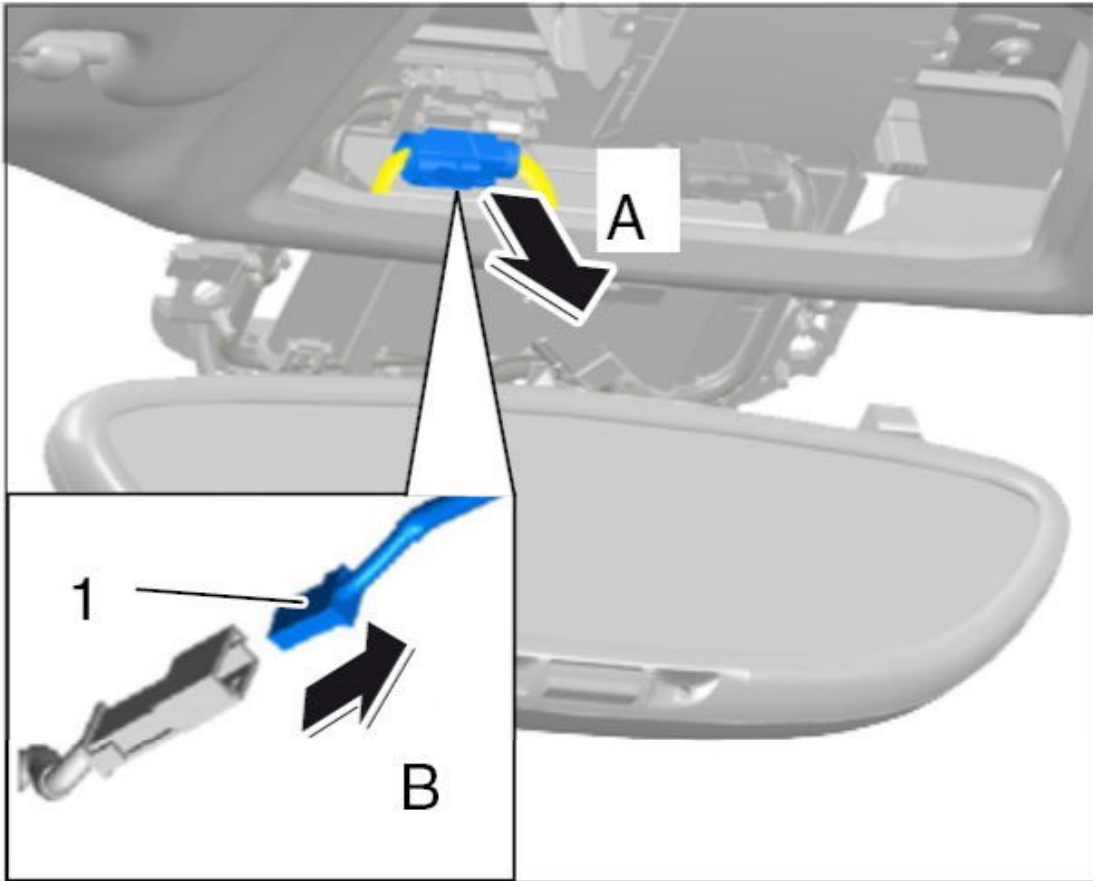


Fig. 3: Disconnecting Rain Sensor Connector
Courtesy of PORSCHE CARS NORTH AMERICA, INC.

3. Unclip line -arrows- and remove it.

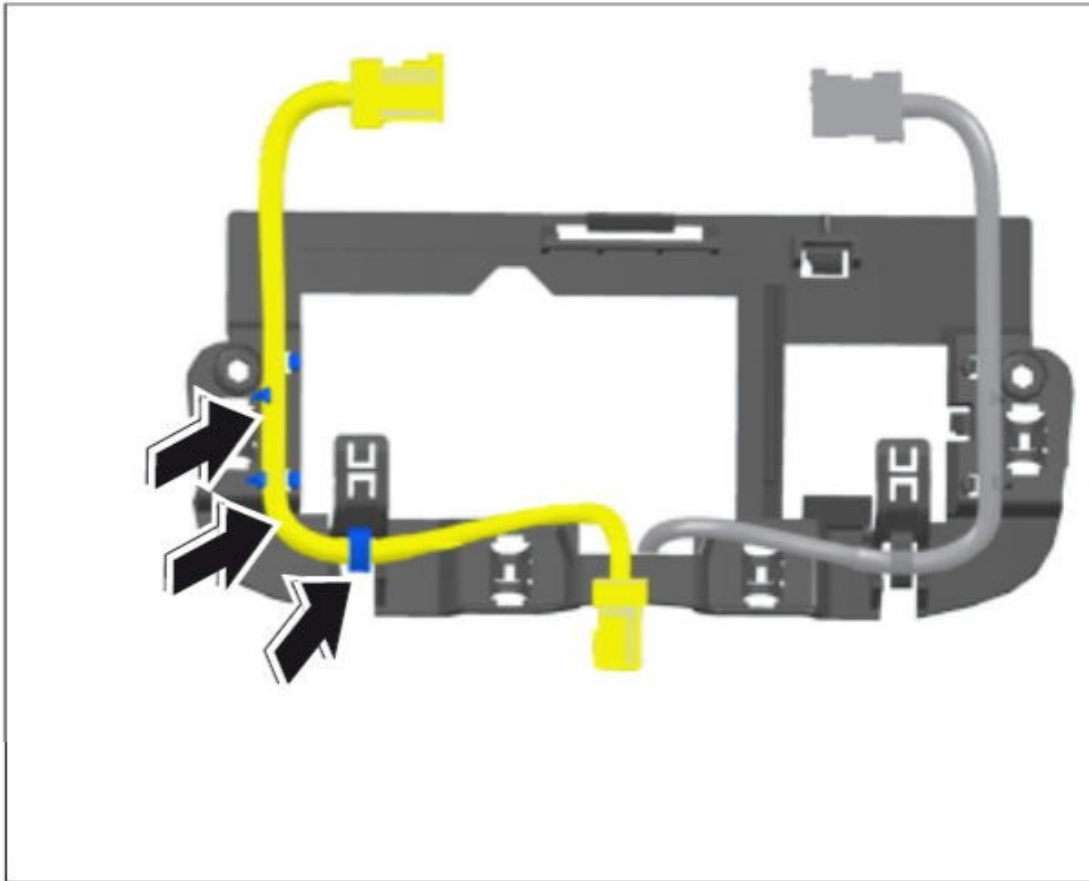


Fig. 4: Removing Rain Sensor Line Clip

Courtesy of PORSCHE CARS NORTH AMERICA, INC.

INSTALLING RAIN SENSOR

Installation is performed in reverse order to removal.

Information

Limited rain sensor function if the following points are not observed:

- *There must be no air trapped between the windshield and silicone layer on the rain sensor.*
- *The temperature of the windshield and rain sensor must be approx. 20 °C during assembly. Carefully heat the windshield and rain sensor using a hot-air gun if necessary.*
- *The contact surfaces must be free of grease and dirt.*
- *Do not touch silicone layer on the rain sensor.*
- *Do not remove the protection cap from a new rain sensor until immediately before pressing the rain sensor onto the windshield.*

1. Position the rain sensor **-1-** and insert it into the adhesive plate **-2-** .

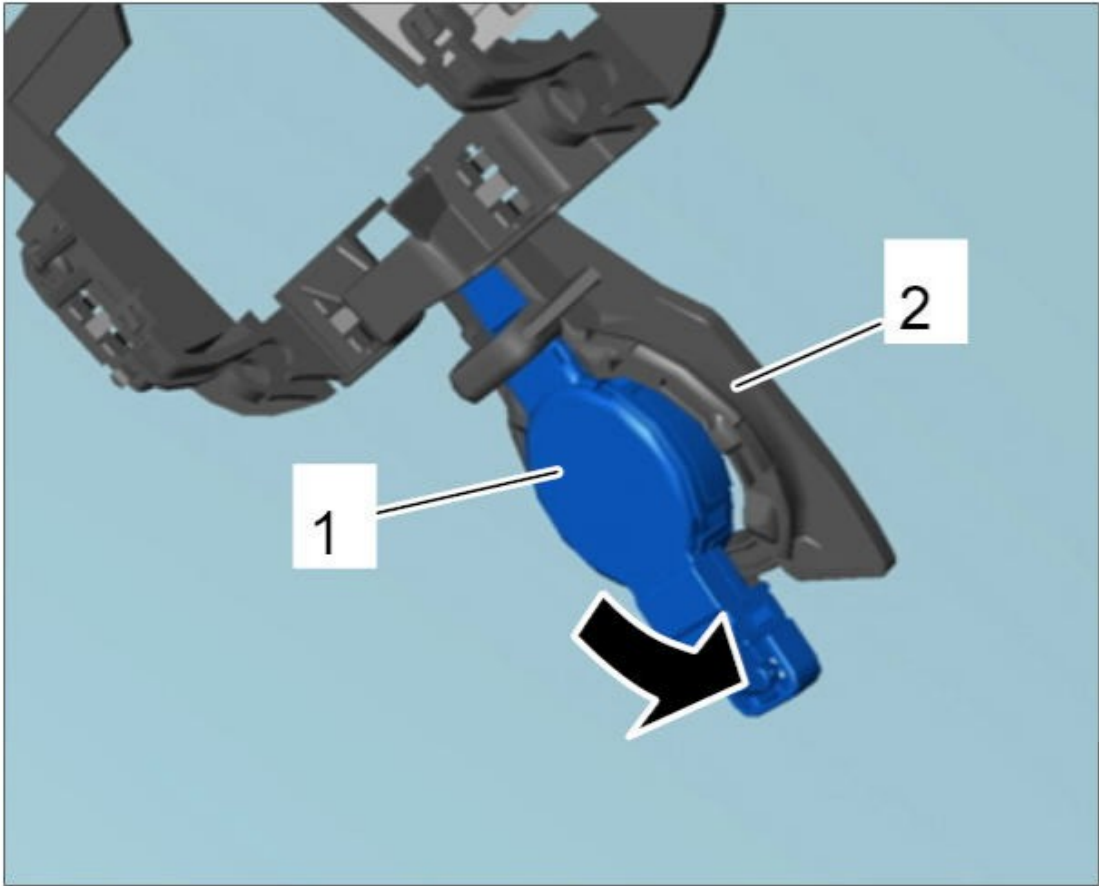


Fig. 5: Inserting Rain Sensor

Courtesy of PORSCHE CARS NORTH AMERICA, INC.

2. Plug in electric plug connection for the rain sensor **-arrow-** until the connector engages securely in the rain sensor.

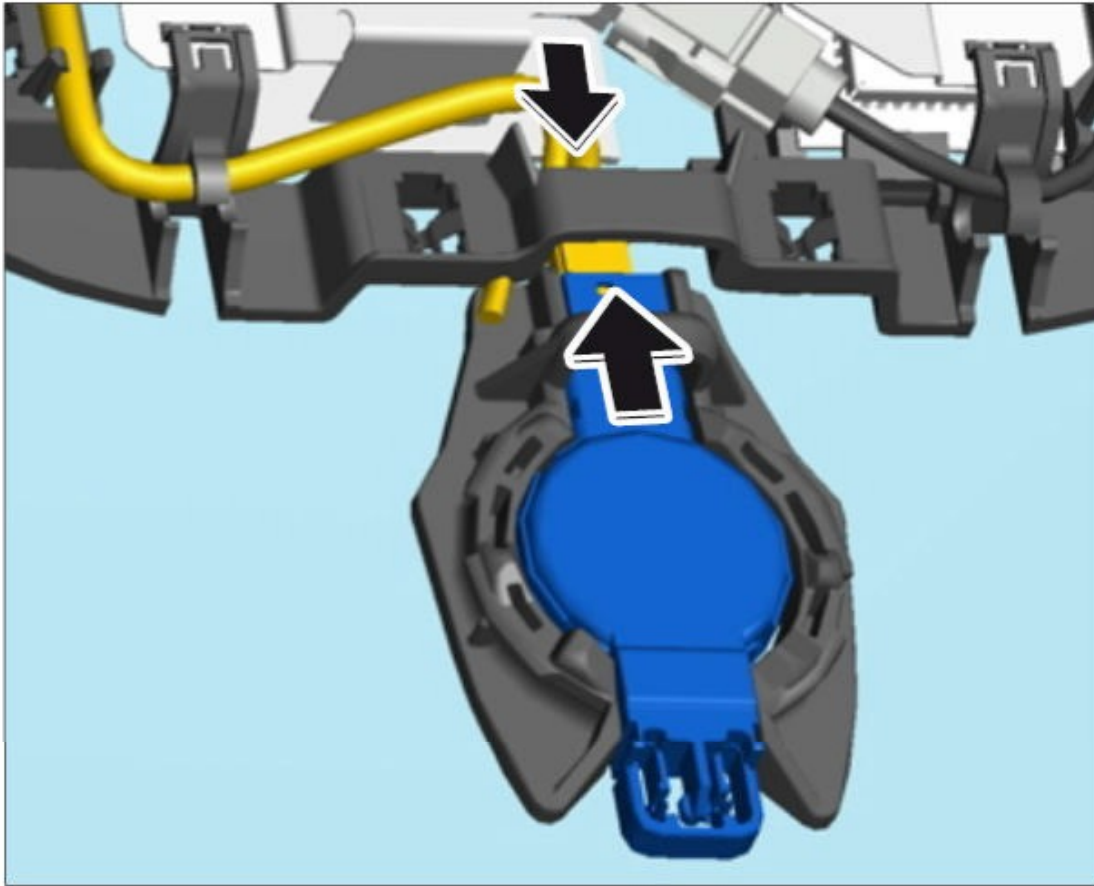


Fig. 6: Installing Rain Sensor Plug Connection

Courtesy of PORSCHE CARS NORTH AMERICA, INC.

SUBSEQUENT WORK

1. Install radio antenna. → [914719 REMOVING AND INSTALLING RADIO ANTENNA](#) - section on "Installing"

WM 921555 REPLACING WIPER MOTOR (ALL MODELS)

REPLACING WIPER MOTOR

Information

The wiper motor is not available as an individual component at present. It can only be replaced together with the wiper linkage.

WM 921919 REMOVING AND INSTALLING WIPER LINKAGE (ALL MODELS)

TECHNICAL VALUES

Location	Description	Type	Basic Value	Tolerance 1	Tolerance 2
Fastening Screw Securing Wiper Linkage To Body	-1-	Tightening Torque	11 Nm (8 ft. lbs.)	Â	Â
Fastening Screw Securing Wiper	-2-	Tightening Torque	11 Nm (8 ft. lbs.)	Â	Â