

Door entry guard, illuminated

Situation: **Retrofitting**

Model Year: **As of 2012 up to 2016**

Information: The illuminated door entry guards made of carbon-fibre composite or stainless steel are installed in the door sill areas.



Part Nos.: **991.044.80X.XX¹** ⇒ Carbon/stainless-steel door entry guard with "model designation", set

¹ For details of model designations available, see Porsche Electronic Parts Catalogue – PET.

Parts List: 911 Carrera S, for example.



Figure 2

----	6 x	Adhesive pads ⇒ Figure 2-1-
999.141.047.01	4 x	Torx screw, M10 x 28 (for securing seat) ⇒ Figure 2-2-
----	1 x	Wire harness ⇒ Figure 2-3-
----	1 x	Plug socket with anti-rattle element ⇒ Figure 2-4-
----	1 x	Door entry guard, right ⇒ Figure 2-5-
----	1 x	Door entry guard, left ⇒ Figure 2-6-
----	20 x	Tie-wrap (not shown)

Materials:	----	---	Cleaning agent (commercially available)
	----	---	Wrapping tape/insulating tape

Tools: **9818 - PIWIS Tester II**
WE1119 - Hot-air blower, Leister-Electron/V.A.G. 1416

- Assembly:
- 1 Preparatory work.
 - 1.1 Connect a battery charger. ⇒ *Workshop Manual '2X00IN Battery trickle charging'*
 - 1.2 Remove inner door sill trim on the left and right. ⇒ *Workshop Manual '680519 Removing and installing inner door sill trim'*
 - 1.3 Remove left front seat. ⇒ *Workshop Manual '720119 Removing and installing front seat'*
 - 1.4 Cut the carpet along the perforation using a carpet knife and fold it up.
 - 1.5 **Only** for the Cabriolet:
Remove reinforcement plate.

1.5.1 Unscrew screws ⇒ *Figure 3-1-* and M6 hexagon nut ⇒ *Figure 3-2-*.

Remove reinforcement plate ⇒ *Figure 3-3-*.

1.6 Remove rear-end electronics control unit. ⇒ *Workshop Manual '578919 Removing and installing control unit for rear-end electronics'*

1.7 Remove inner cover strip on the left and right. ⇒ *Workshop Manual '680719 Removing and installing cover strip'*

1.8 Remove front side-section trim panel on the left and right. ⇒ *Workshop Manual '702419 Removing and installing front side-section trim panel'*

1.9 Remove cover (cold air bulkhead). ⇒ *Workshop Manual '702219 Removing and installing cover (cold air bulkhead)'*

1.10 Unclip carpet on the driver's side and passenger's side ⇒ *Figure 4-2-* at the door sill support ⇒ *Figure 4-3-*.

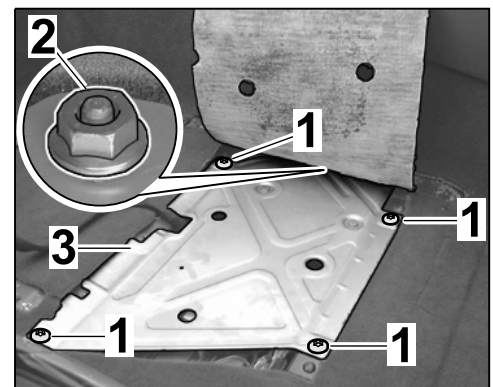


Figure 3

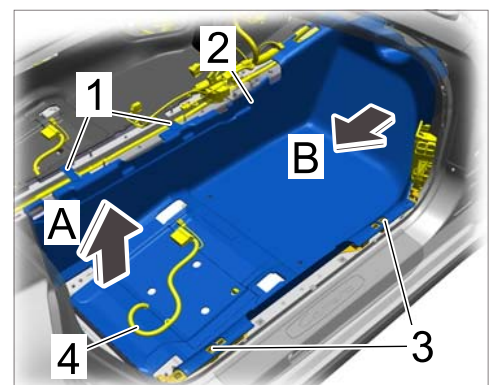


Figure 4

1.11 Unscrew screws ⇒ *Figure 5-2-* from the door sill support ⇒ *Figure 5-1-* on the left and right (shown on the 981).

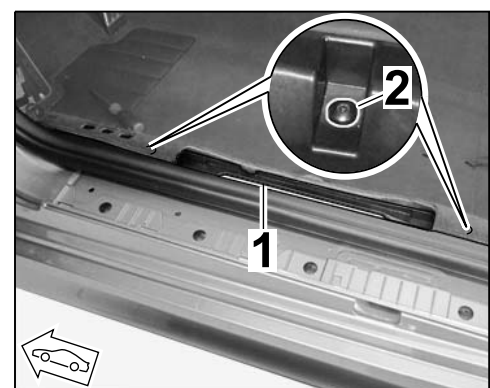
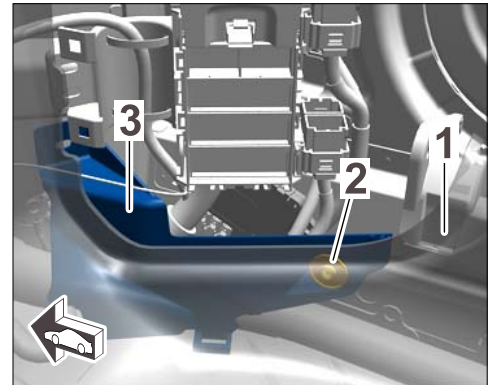


Figure 5

- 1.12 Screw off fastening nut ⇒ *Figure 6-2-* on the wire harness cover ⇒ *Figure 6-3-* at the right.
- 2 Install electric wire harness.
 - 2.1 Secure electric wire harness (end of line without plug socket) to auxiliary line.
 - 2.2 Route electric wire harness as follows:
Rear-end electronics control unit position → main wire harness in passenger compartment at the left → along main wire harness to firewall → main wire harness in passenger compartment at the right
 - 2.2.1 Route electric wire harness from rear-end electronics control unit position, along main wire harness in passenger compartment at the left ⇒ *Figure 7-1-* (shown on the 981).

*Figure 6**Figure 7*

- 2.2.2 Route electric wire harness ⇒ *Figure 8-1*- through the wiring duct ⇒ *Figure 8-2*-.

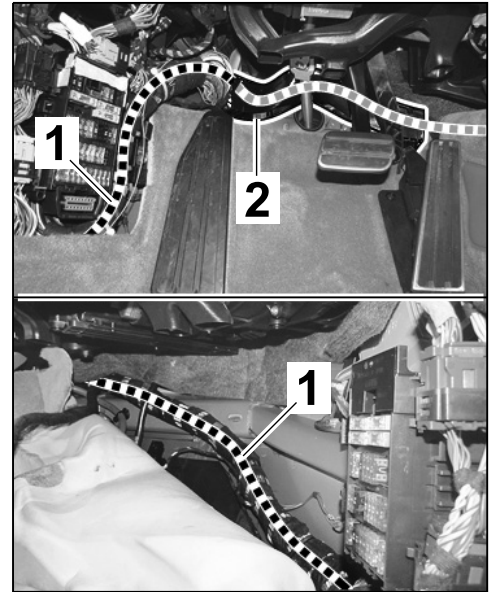


Figure 8

- 2.2.3 Route electric wire harness ⇒ *Figure 9-1*- along the standard main wire harness in the passenger compartment at the right.
- 2.3 Assemble electric wire harness at the right.
 - 2.3.1 Remove auxiliary line from electric wire harness.

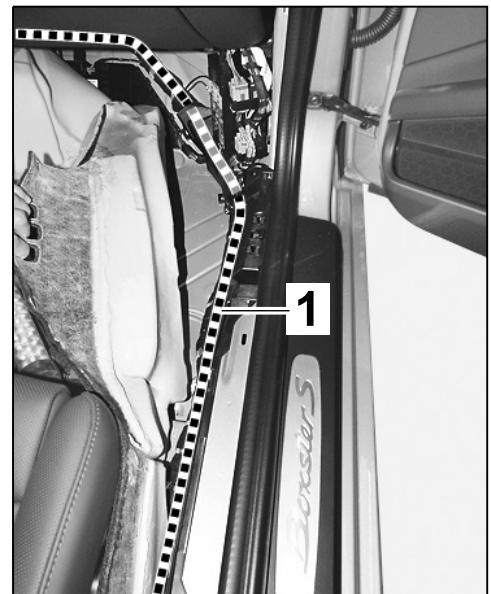


Figure 9

- 2.3.2 Insert a screwdriver in between the plug socket ⇒ *Figure 10-1-* and secondary lock ⇒ *Figure 10-2-* (⇒ *Figure 10-arrow a-*) and release secondary lock ⇒ *Figure 10-arrow b-*.
Remove secondary lock.

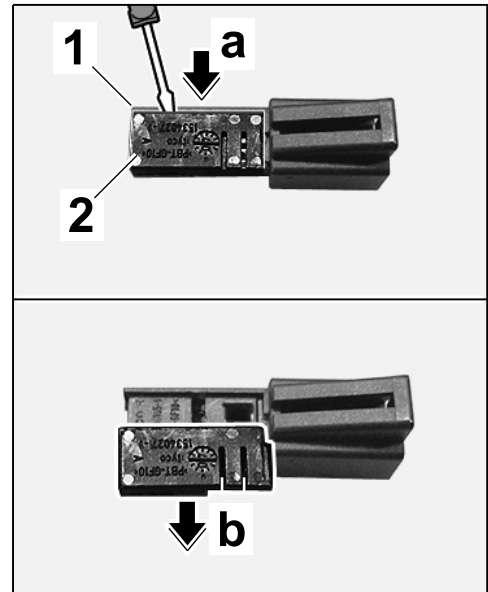


Figure 10

**Information**

Ensure socket contact is seated securely.

- 2.3.3 Insert socket contact of BN line ⇒ *Figure 11-2-* into chamber 2.
Insert socket contact of GY/YE line ⇒ *Figure 11-1-* into chamber 1.

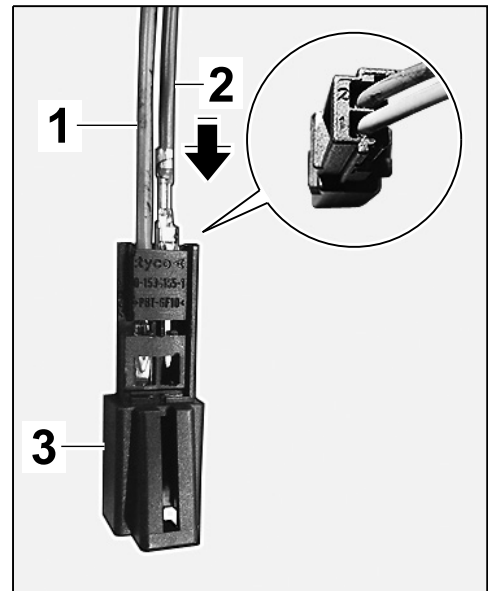


Figure 11

- 2.3.4 Fit secondary lock and lock it ⇒ *Figure 12 -arrow-*.

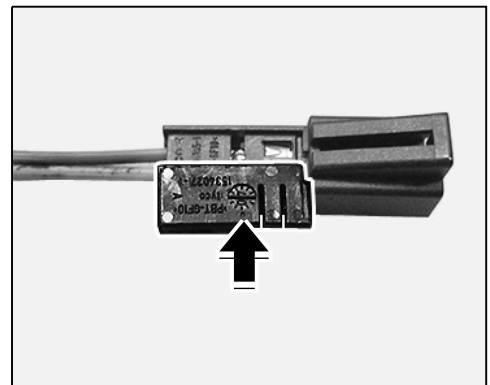


Figure 12

- 2.3.5 Secure anti-rattle element ⇒ *Figure 13-1-* to the wire harness ⇒ *Figure 13-2-* with wrapping tape/insulating tape.

- 2.4 Connect RD line to rear-end electronics control unit.

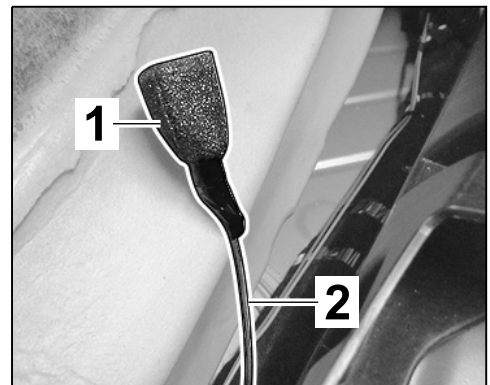


Figure 13

- 2.4.1 Open locking mechanisms ⇒ *Figure 14-1-* and slide both plug sockets ⇒ *Figure 14 -arrows-* out of the blue plug carrier.

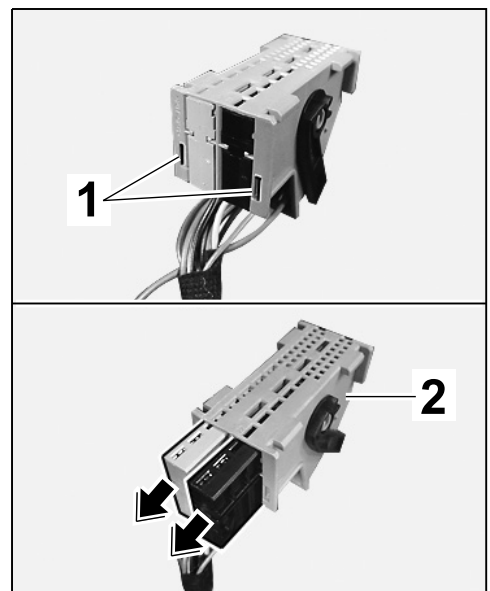


Figure 14

**Information**

Ensure socket contact is seated securely.

- 2.4.2 Insert socket contact \Rightarrow *Figure 15-1* into chamber A37 of the black plug socket.
- 2.4.3 Slide both plug sockets into the plug carrier until the locking mechanisms engage.

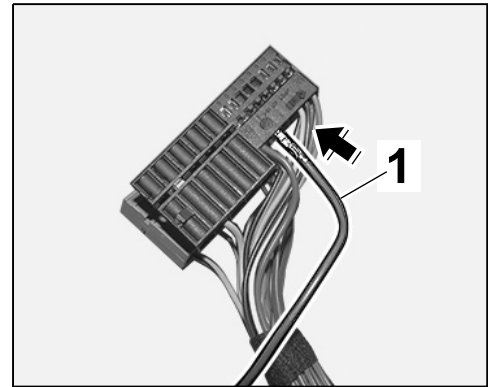


Figure 15

- 2.5 Connect cable ring eyelet (BN ground strap) to ground point MB 6 \Rightarrow *Figure 16 -arrow-*.
Tightening torque 9 Nm (6.5 ftlb.)
- 2.6 Secure electric wire harness to the standard wire harness with a tie-wrap.

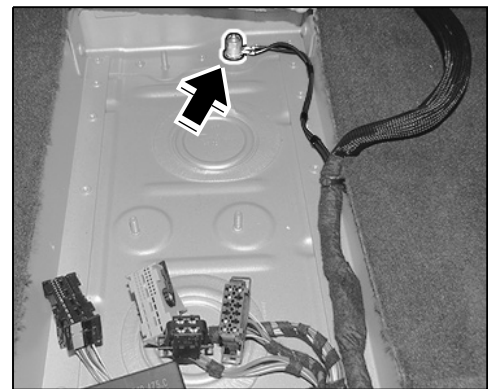


Figure 16

**Information**

- Some of the repair illustrations show only one side of the vehicle.
 - Naturally, some steps also have to be performed on the opposite side of the vehicle as well.
- 3 Install illuminated door entry guards (cover strip) on the inner left and right.
- 3.1 Pull rubber door seal (piping) out of the body close to the cover strip.
- 3.2 Install illuminated door entry guard (cover strip). \Rightarrow *Workshop Manual '680719 Removing and installing cover strip'*

- 3.3 To protect the flat conductor path on the body flange ⇒ *Figure 17-1-*, stick wrapping tape/insulating tape ⇒ *Figure 17 -arrow-* around the body flange.
- 2 – Illuminated door entry guard (cover strip)
 - 3 – Flat conductor path
- 3.4 Secure flat conductor path (left side).

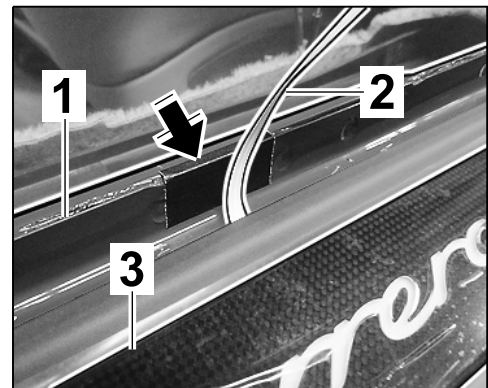


Figure 17

- 3.4.1 Route flat conductor path ⇒ *Figure 18-1-* behind the door sill support ⇒ *Figure 18-2-*.
- 3.4.2 Connect plug connection ⇒ *Figure 18-3-*.

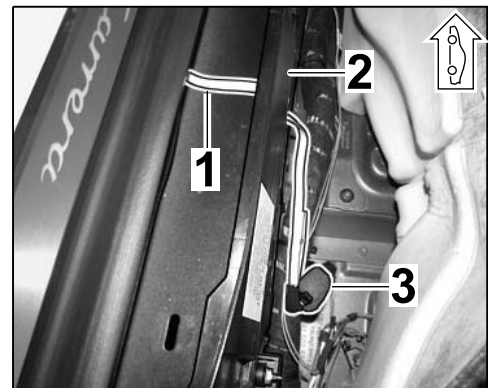


Figure 18

- 3.4.3 Clean the adhesive pad bonding area on the body ⇒ *Figure 19 -1-* using commercially available cleaning agents to remove any dust and grease.
- 3.4.4 Secure flat conductor path to the body with an adhesive pad.

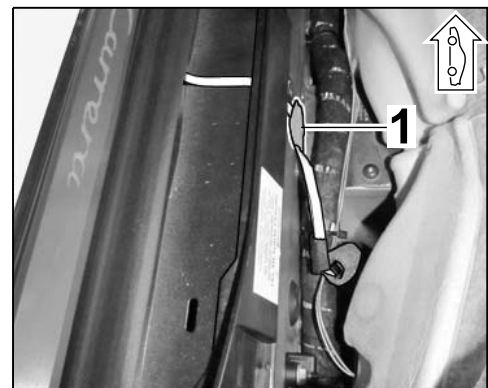


Figure 19

- 3.5 Secure flat conductor path (right side).
Route flat conductor path ⇒ *Figure 20-1-* behind the door sill support ⇒ *Figure 20-2-*.

- 3.5.1 Connect plug connection ⇒ *Figure 20-3-*.
3.5.2 Clean the adhesive pad bonding area on the body ⇒ *Figure 20-4-* using commercially available cleaning agents to remove any dust and grease.

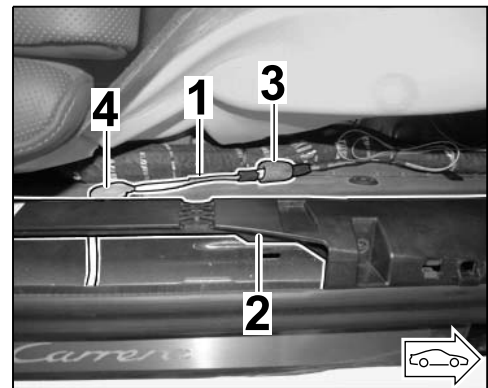


Figure 20

- 3.5.3 Secure flat conductor path to the body with an adhesive pad.

- 3.6 Attach rubber door seal (piping) in the illuminated door entry guard (cover strip) area.

- 4 Pull protective film off the illuminated door entry guards (cover strips).

- 5 Concluding work.

- 5.1 Screw on fastening nut ⇒ *Figure 21-2-* on the wire harness cover ⇒ *Figure 21-3-* at the right.

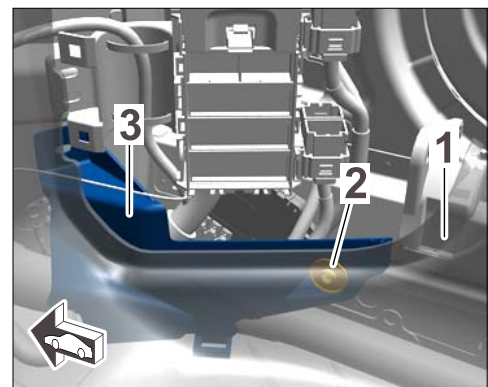


Figure 21

- 5.2 Screw on and tighten screws ⇒ *Figure 22-2-* on the door sill support ⇒ *Figure 22-1-* at the left and right (shown on the 981).

- 5.3 Clip carpet into holder on the driver's side and passenger's side.

- 5.4 Install rear-end electronics control unit. ⇒ *Workshop Manual '578919 Removing and installing control unit for rear-end electronics'*

- 5.5 **Only** for the Cabriolet:
Install reinforcement plate.

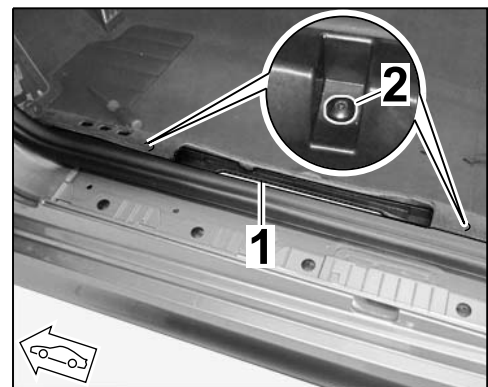


Figure 22

5.5.1 Position reinforcement plate ⇒ *Figure 23-3-*.

Screw in and tighten screws ⇒ *Figure 23-1-* and M6 hexagon nut ⇒ *Figure 23-2-*.

5.5.2 Fold down the carpet.

5.6 Install front side-section trim panel on the left and right. ⇒ *Workshop Manual '702419 Removing and installing front side-section trim panel'*

5.7 Install cover (cold air bulkhead). ⇒ *Workshop Manual '702219 Removing and installing cover (cold air bulkhead)'*

5.8 Install left front seat. ⇒ *Workshop Manual '720119 Removing and installing front seat'*

5.9 Install inner door sill trim on the left and right. ⇒ *Workshop Manual '680519 Removing and installing inner door sill trim'*

5.10 Read out the fault memories of all systems, work through any existing faults and erase the fault memories. ⇒ *Workshop Manual '033500 Fault memory for on-board diagnosis'*

5.11 Disconnect the battery charger. ⇒ *Workshop Manual '2X00IN Battery trickle charging'*

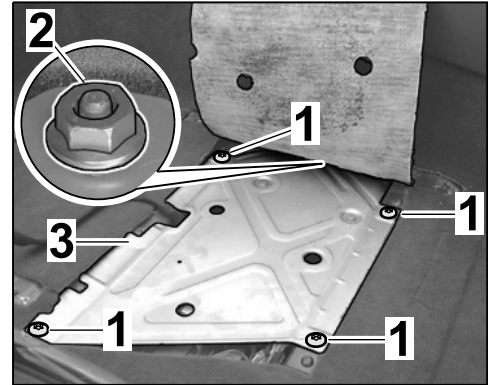


Figure 23

Working time: 68073200: Installing illuminated door entry guard

Labor time: **210 TU**

Includes: Installing electric wire harness, removing and installing left front seat and cover strips.