

Fig. 11: Inserting Glove Compartment Lock
Courtesy of PORSCHE CARS NORTH AMERICA, INC.

3. Carry out a function test with the glove compartment lid open.

WM 681219 REMOVING AND INSTALLING GLOVE COMPARTMENT LID (ALL MODELS)

PRELIMINARY WORK

1. Remove glove compartment. → [681519 REMOVING AND INSTALLING GLOVE COMPARTMENT](#)

REMOVING GLOVE COMPARTMENT LID

1. Unclip the two fastening pins -1- by levering them off using a suitable pliers.

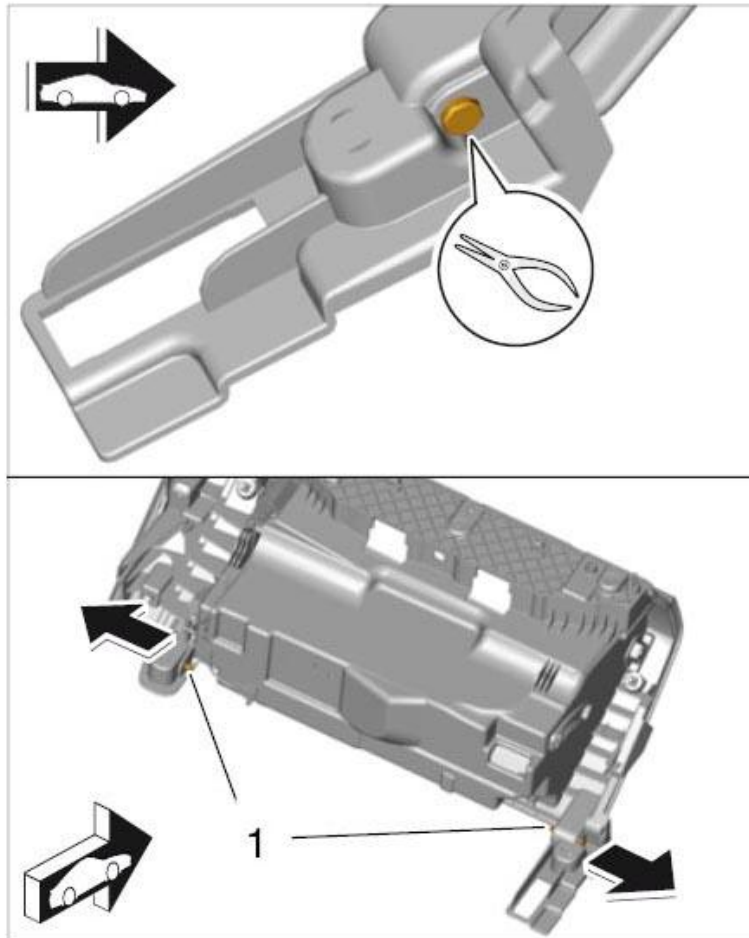


Fig. 12: Loosening Mounting For Glove Compartment Lid
Courtesy of PORSCHE CARS NORTH AMERICA, INC.

2. Release the limit stop for the glove compartment lid by turning it -A- and remove it from the glove compartment -B- .

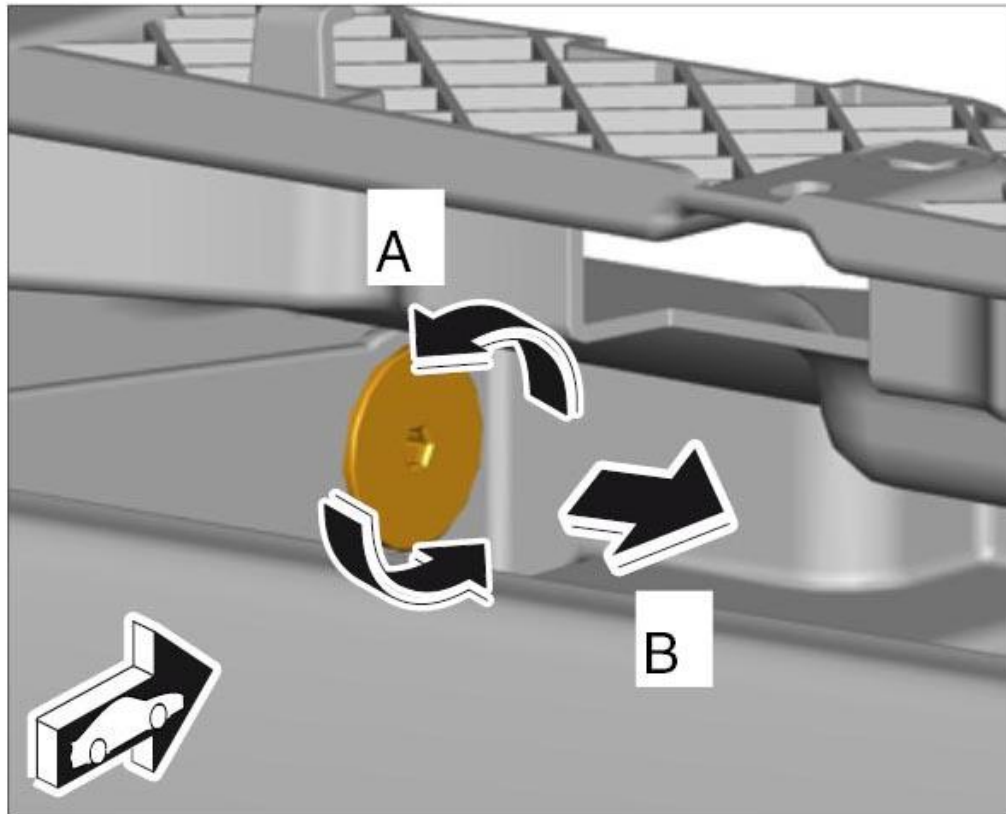


Fig. 13: Removing Limit Stop

Courtesy of PORSCHE CARS NORTH AMERICA, INC.

3. Pull off the plug connection for the glove compartment light switch and the pin for the glove compartment lid brake.
 - 3.1. Pull off the plug connection for the glove compartment light switch -**A**- .
 - 3.2. Pull out the retaining pin for the glove compartment lid brake -**B**- .

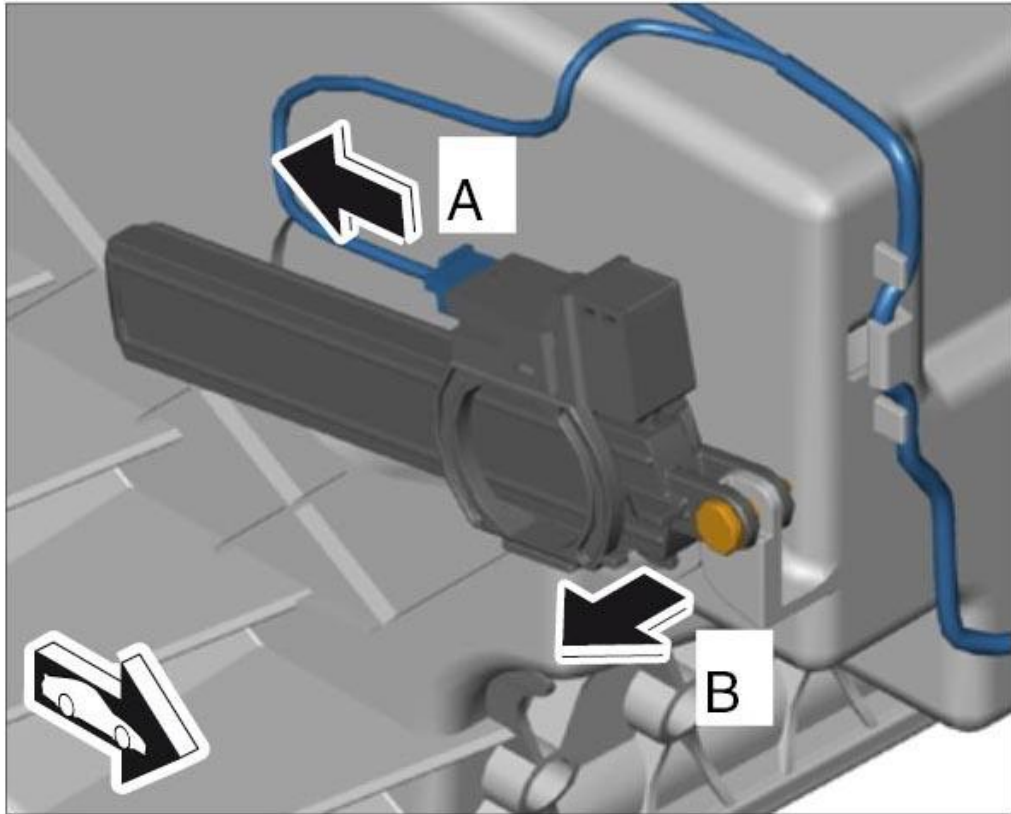


Fig. 14: Removing Plug Connection And Pin
Courtesy of PORSCHE CARS NORTH AMERICA, INC.

4. Release the glove compartment lid brake by turning it -A- and remove it from the glove compartment -B- .

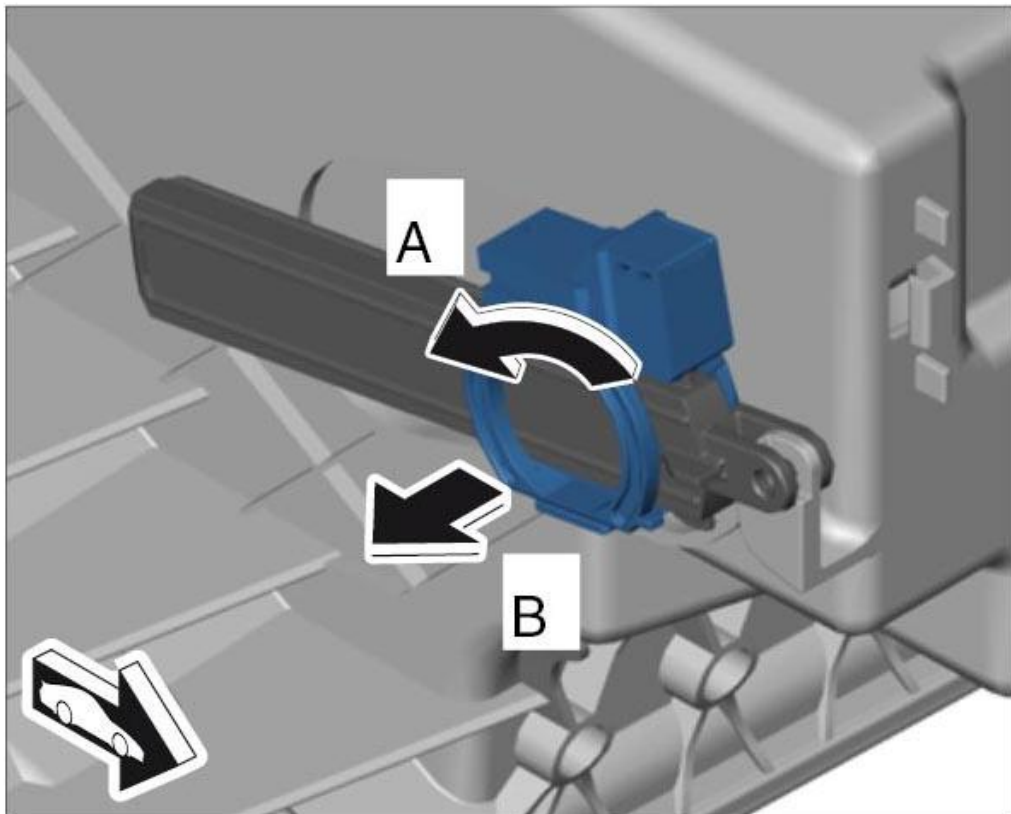


Fig. 15: Removing Glove Compartment Lid Brake
 Courtesy of PORSCHE CARS NORTH AMERICA, INC.

5. Remove glove compartment lid.

INSTALLING GLOVE COMPARTMENT LID

1. The glove compartment lid is installed in reverse order to removal.

SUBSEQUENT WORK

1. Install glove compartment. → [681519 REMOVING AND INSTALLING GLOVE COMPARTMENT](#)

WM 681419 REMOVING AND INSTALLING CENTER CONSOLE COVER (ALL MODELS)

TECHNICAL VALUES

Location	Description	Type	Basic Value	Tolerance 1	Tolerance 2
Fastening Screw Securing Footwell Outlet Vent Trim	Å	Tightening Torque	3.2 Nm (2 ft. lbs.)	+/-0.3 Nm (+/- 0.2 ft. lbs.)	Å

REMOVING CENTER CONSOLE COVER

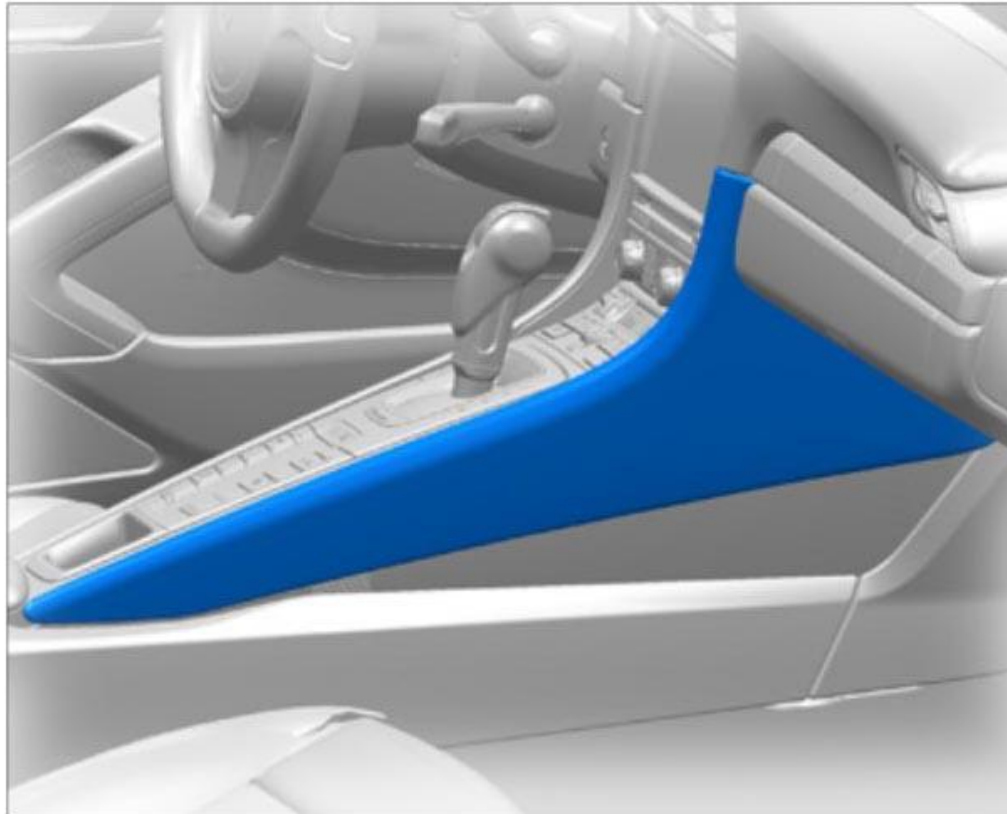


Fig. 16: Identifying Center Console Cover
 Courtesy of PORSCHE CARS NORTH AMERICA, INC.

- 1. Remove side trim panel.
 - 1.1. Unclip side trim panel at the sides.

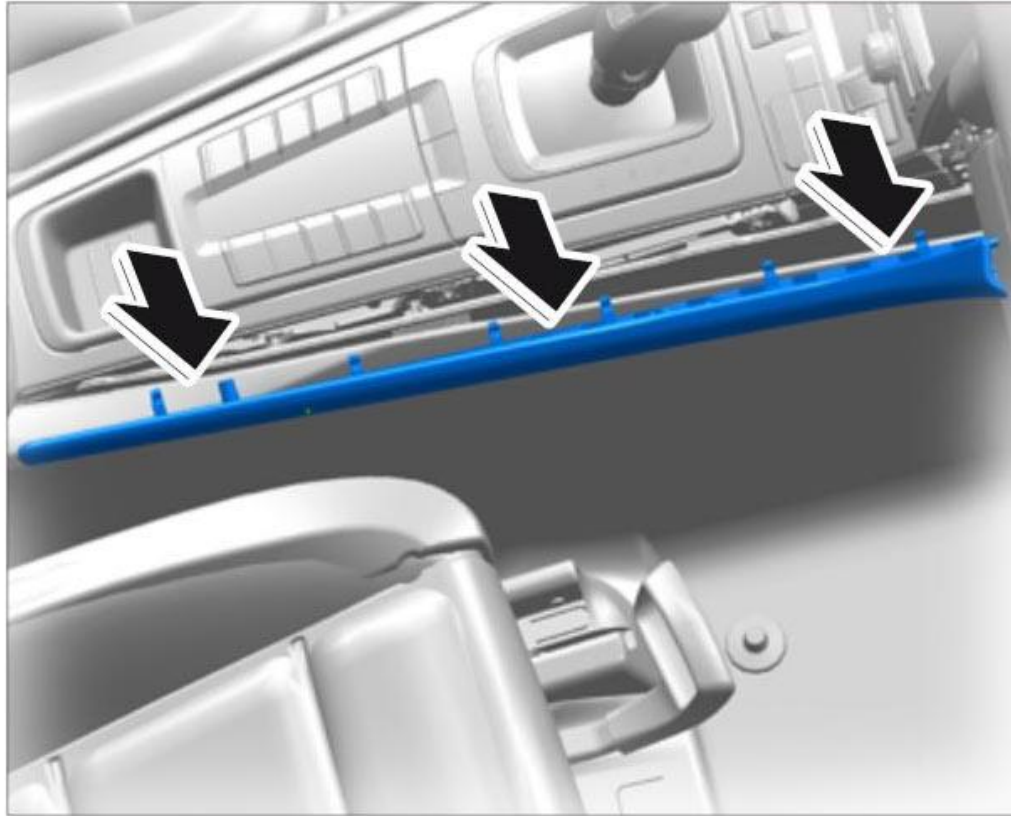


Fig. 17: Removing Side Trim Panel
Courtesy of PORSCHE CARS NORTH AMERICA, INC.

2. Remove side trim panel.
 - 2.1. Pull the side trim panel back out of the guide -**arrow**- .

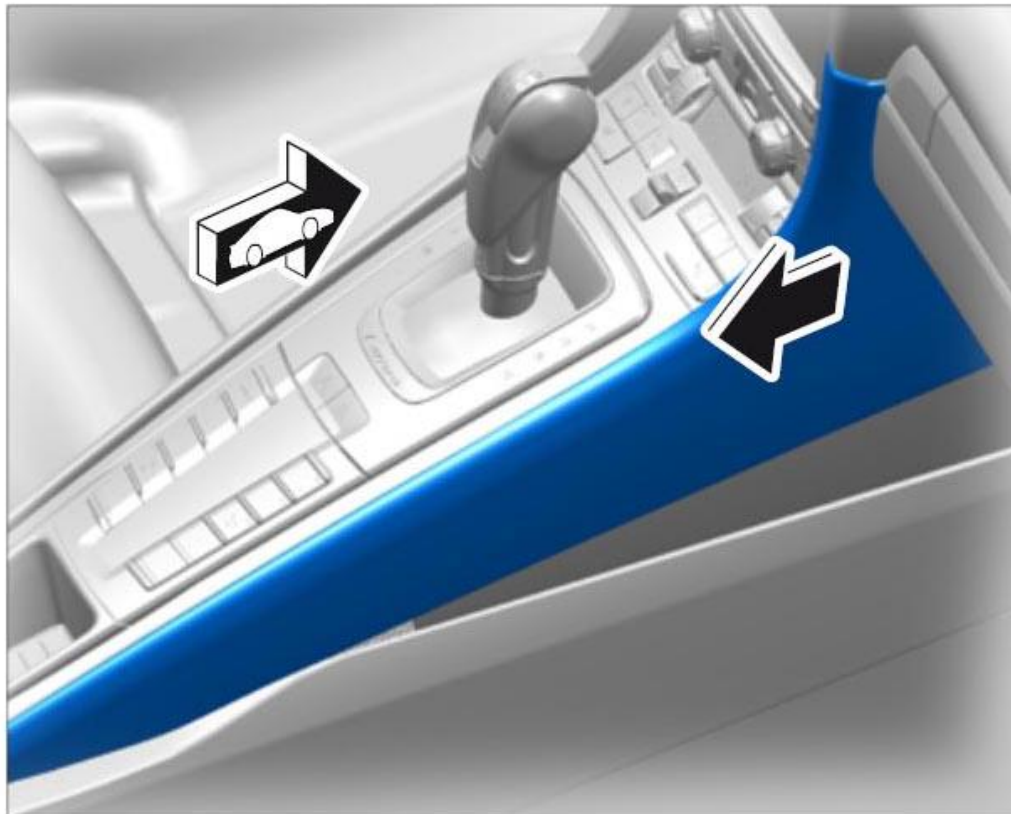


Fig. 18: Removing Side Trim Panel

Courtesy of PORSCHE CARS NORTH AMERICA, INC.

3. Detach footwell outlet vent trim.

3.1. Unscrew fastening screw -1- on footwell outlet vent trim -2- .

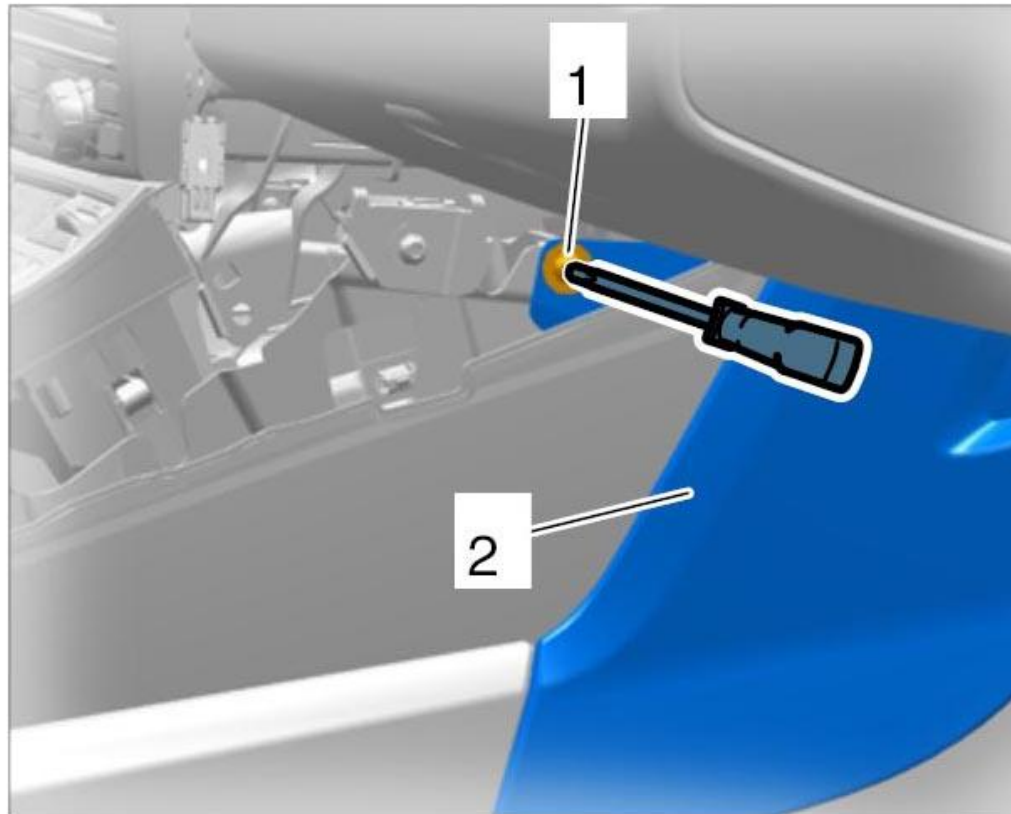


Fig. 19: Detaching Footwell Outlet Vent Trim

Courtesy of PORSCHE CARS NORTH AMERICA, INC.

4. Remove footwell outlet vent.

4.1. Guide footwell outlet vent trim -1- forward -arrow A- out of the guide -2- .

4.2. Remove footwell outlet vent trim in a downward direction -arrow B- .

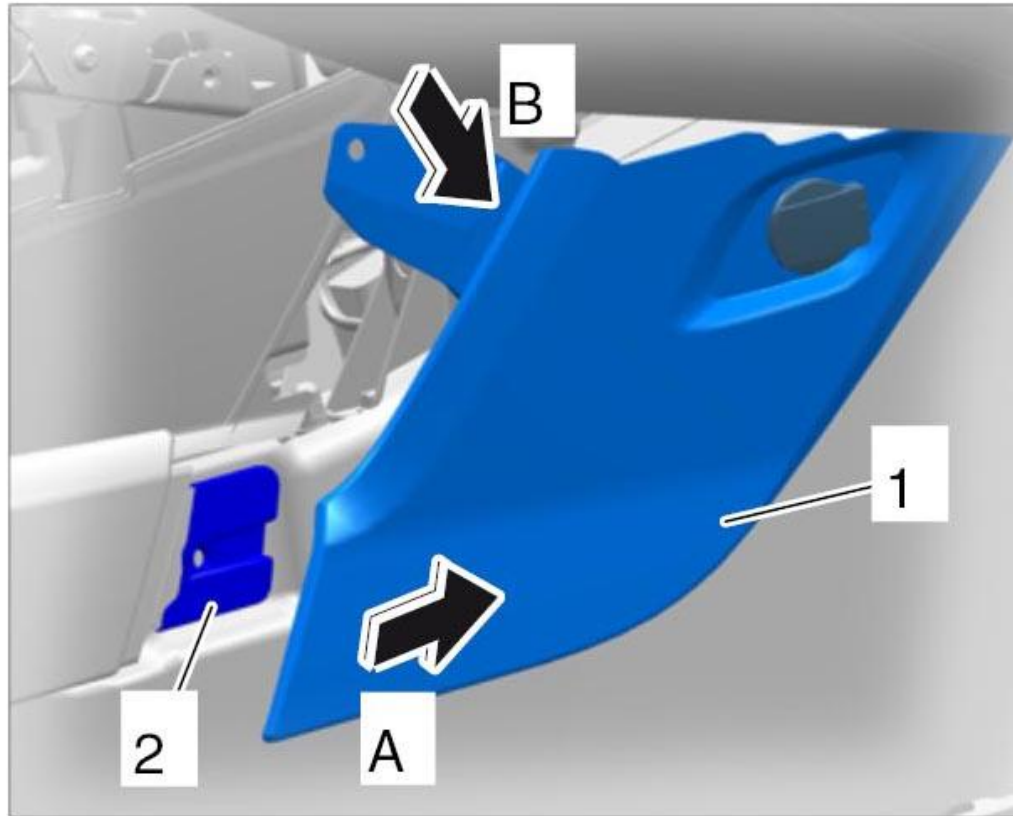


Fig. 20: Removing Footwell Outlet Vent Trim
Courtesy of PORSCHE CARS NORTH AMERICA, INC.

5. Disconnect electric plug connection for footwell outlet vent trim (passenger's side).
 - 5.1. Release electric connector -1- and pull it off -arrow- .

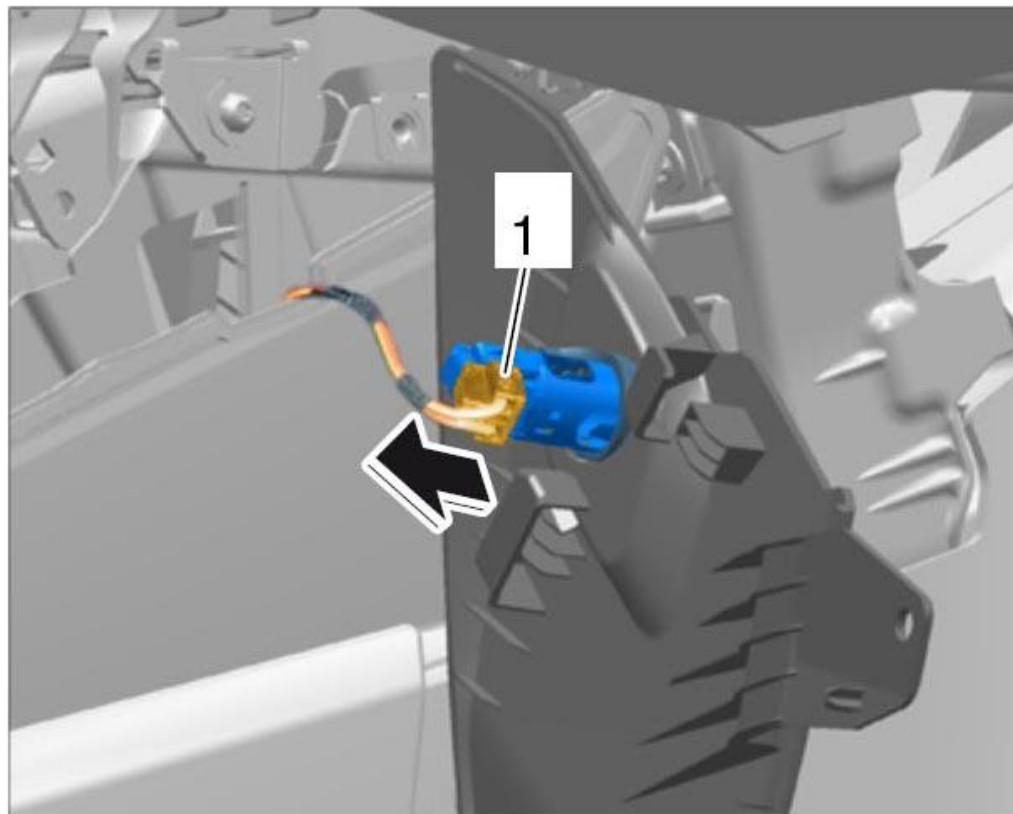


Fig. 21: Disconnecting Electric Plug Connection
 Courtesy of PORSCHE CARS NORTH AMERICA, INC.

INSTALLING CENTER CONSOLE COVER

1. Installation is performed in reverse order to removal.

Location	Description	Type	Basic Value	Tolerance 1	Tolerance 2
Fastening Screw Securing Footwell Outlet Vent Trim	∅	Tightening Torque	3.2 Nm (2 ft. lbs.)	+/-0.3 Nm (+/- 0.2 ft. lbs.)	∅

WM 681519 REMOVING AND INSTALLING GLOVE COMPARTMENT (ALL MODELS)

TECHNICAL VALUES

Location	Description	Type	Basic Value	Tolerance 1	Tolerance 2
Fastening Screws For Glove Compartment, Top	∅	Tightening Torque	3.2 Nm (2 ft. lbs.)	∅	∅
Fastening Screws For Glove Compartment, Bottom	∅	Tightening Torque	13 Nm (9.5 ft. lbs.)	∅	∅
Fastening Screw For Glove Compartment, Side	∅	Tightening Torque	3.2 Nm (2 ft. lbs.)	∅	∅

PRELIMINARY WORK

1. Remove right center console cover. → [681419 REMOVING AND INSTALLING CENTER CONSOLE COVER](#)
2. Remove right cupholder. → [683019 REMOVING AND INSTALLING CUPHOLDER](#)
3. Remove right dashboard cover. → [701619 REMOVING AND INSTALLING DASHBOARD COVER ON PASSENGER'S SIDE](#)
4. Remove right footwell light. → [961519 REMOVING AND INSTALLING FOOTWELL LIGHT](#)
5. Remove multimedia interface. → [912219 REMOVING AND INSTALLING MULTIMEDIA INTERFACE](#)

REMOVING GLOVE COMPARTMENT

1. Unscrew the fastening screw at the side -1- .

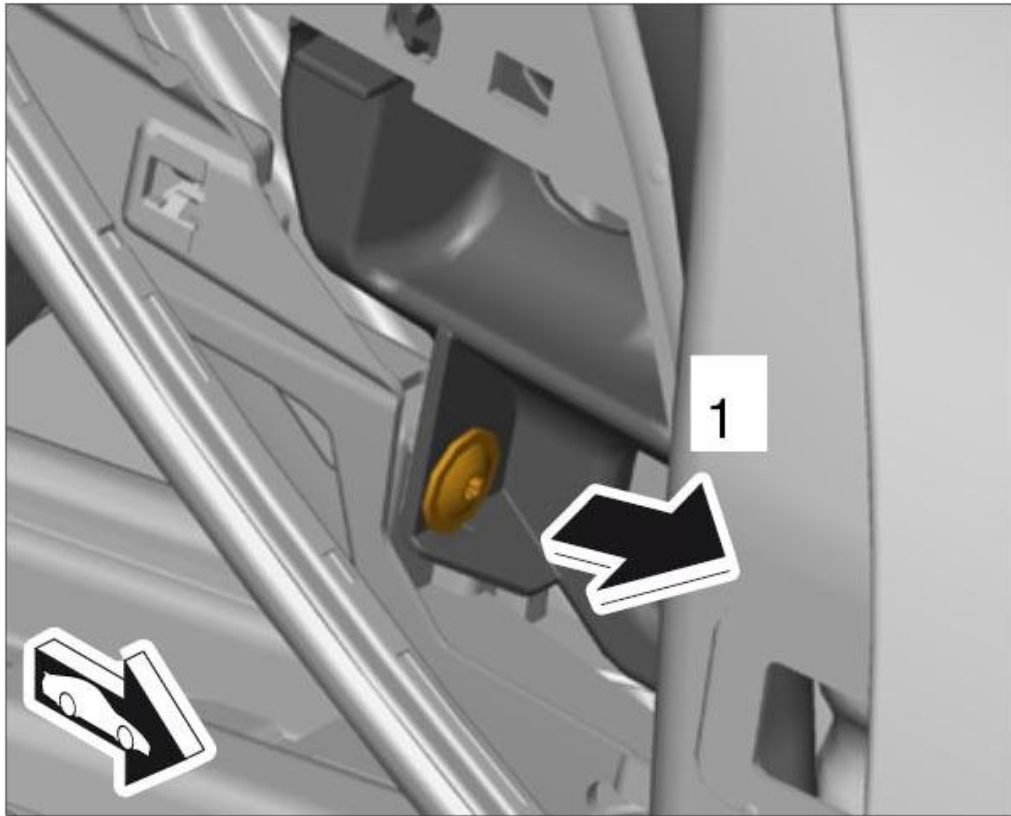


Fig. 22: Loosening Mounting Screw (Side)

Courtesy of PORSCHE CARS NORTH AMERICA, INC.

2. Unscrew the fastening screws -1- at the bottom.

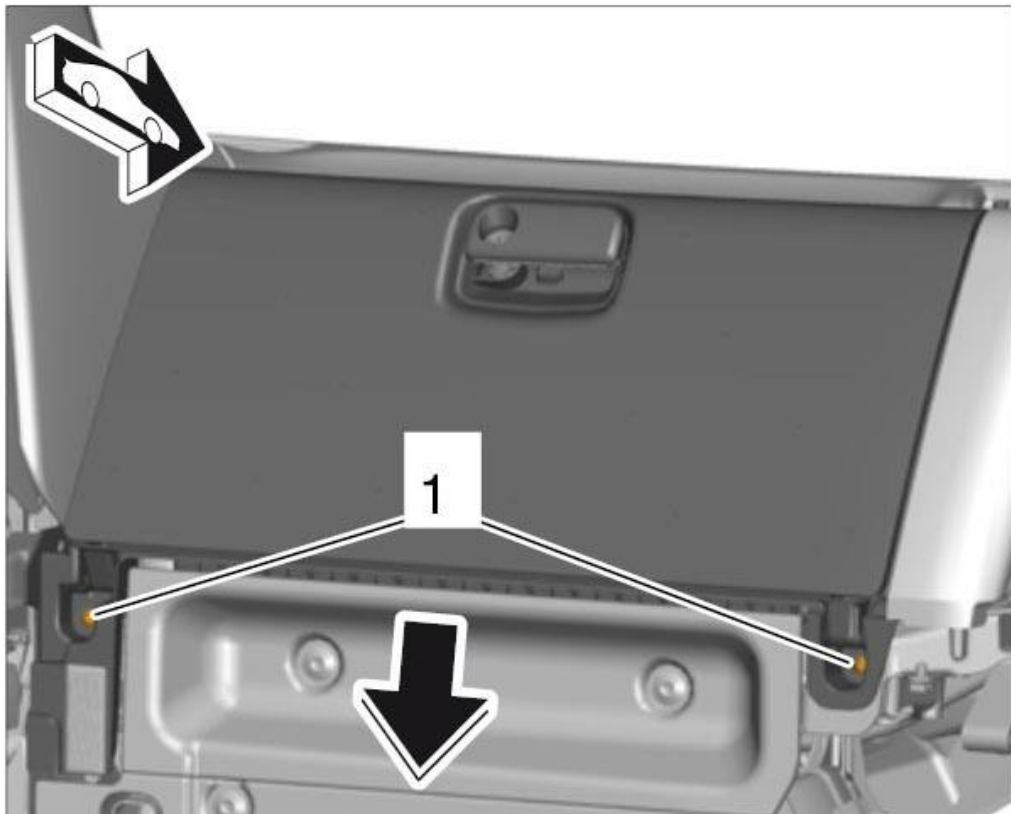


Fig. 23: Loosening Mounting Screws (Bottom)
Courtesy of PORSCHE CARS NORTH AMERICA, INC.

3. Unscrew the fastening screws at the top -1- .

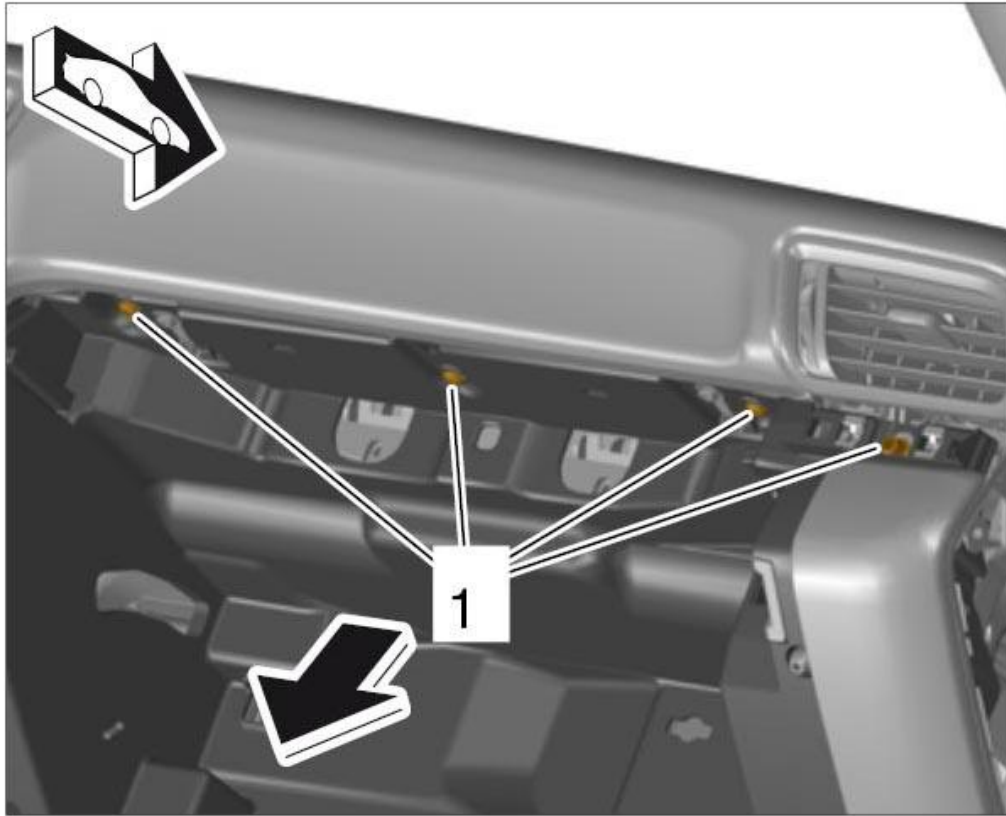


Fig. 24: Loosening Mounting Screws (Top)
Courtesy of PORSCHE CARS NORTH AMERICA, INC.

4. Unclip the glove compartment -arrow- .

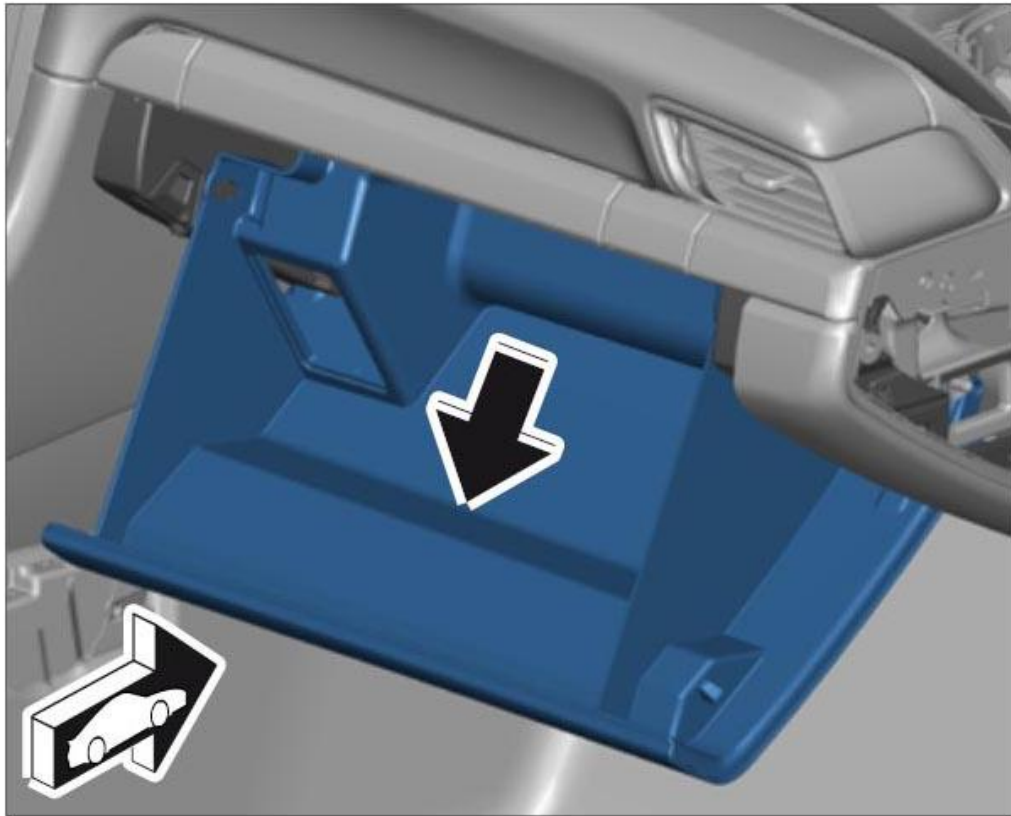


Fig. 25: Removing Glove Compartment

Courtesy of PORSCHE CARS NORTH AMERICA, INC.

5. Pull off plug connection for glove compartment light -**arrow**- .

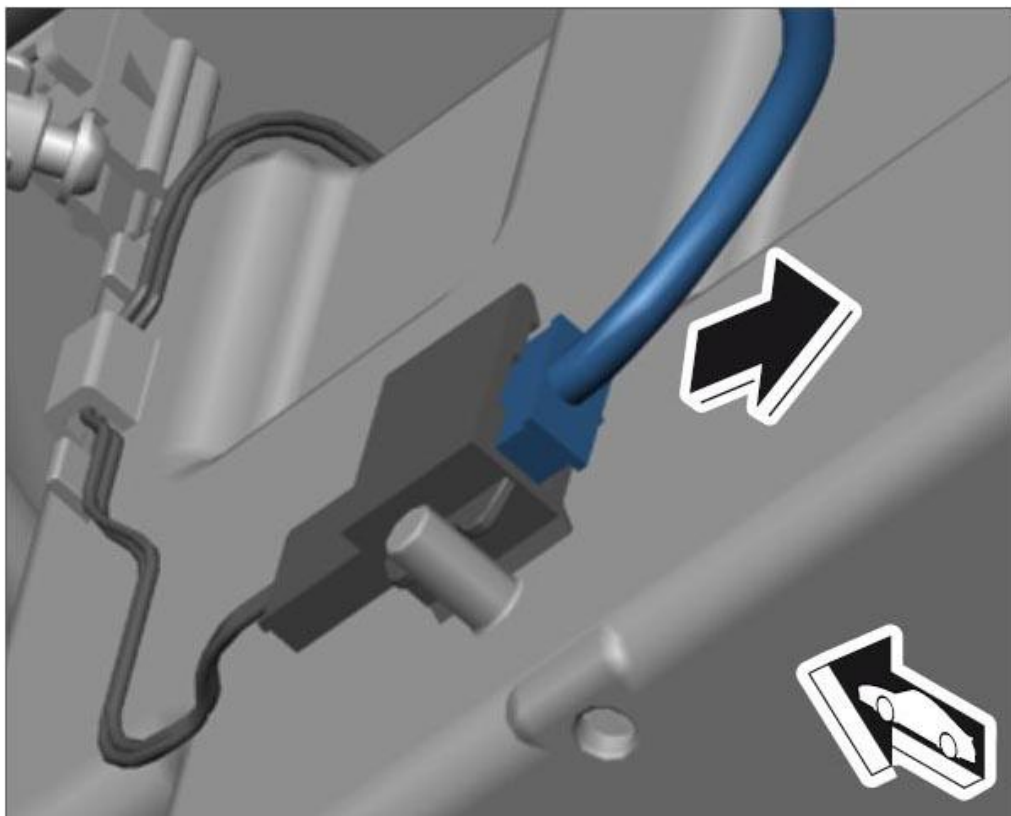


Fig. 26: Disconnecting Plug Connection

Courtesy of PORSCHE CARS NORTH AMERICA, INC.

6. Guide wire harness for multimedia interface out of the glove compartment **-arrow-** .

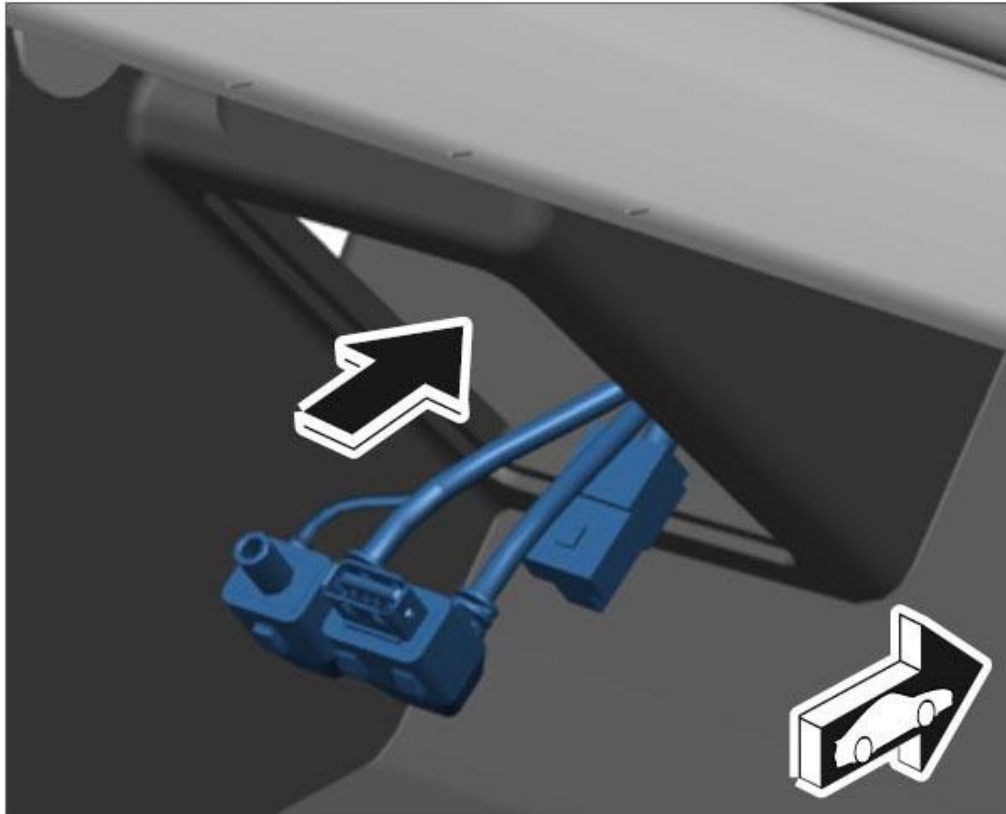


Fig. 27: Guiding Out Wire Harness

Courtesy of PORSCHE CARS NORTH AMERICA, INC.

INSTALLING GLOVE COMPARTMENT

1. Plug in the plug connection for the glove compartment light **-arrow-** and check that it is seated securely.

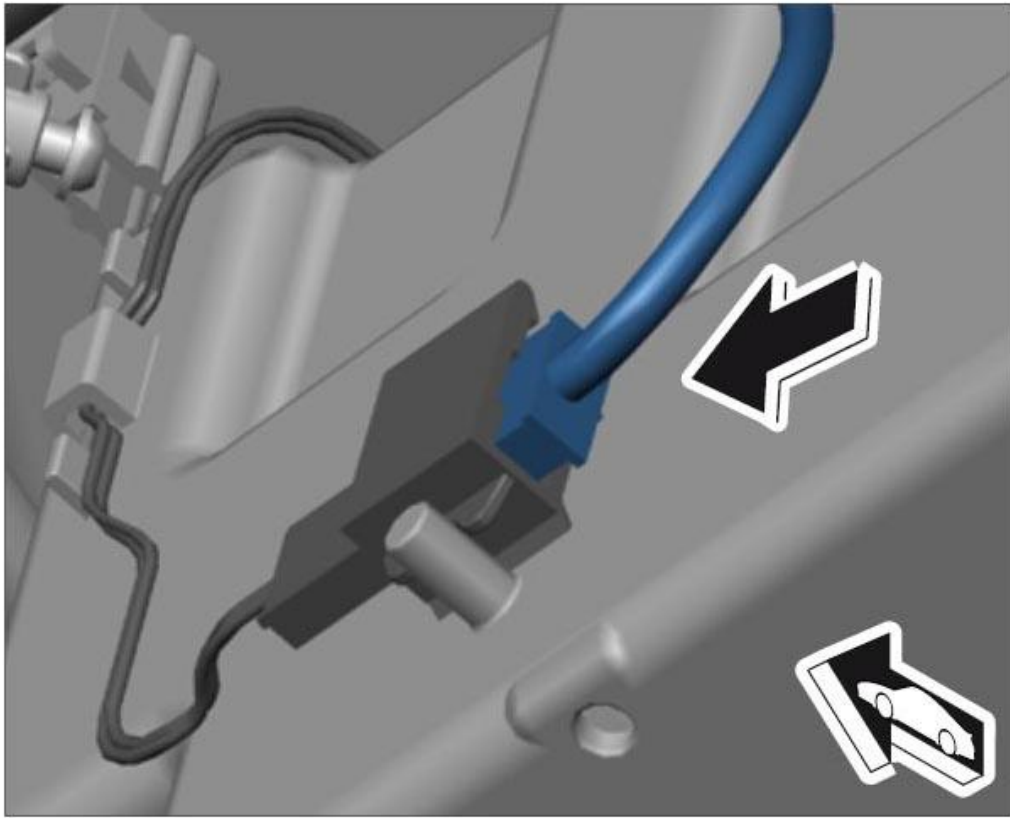


Fig. 28: Installing Glove Compartment Plug Connection
Courtesy of PORSCHE CARS NORTH AMERICA, INC.

2. Guide the wires into the glove compartment -arrow- .

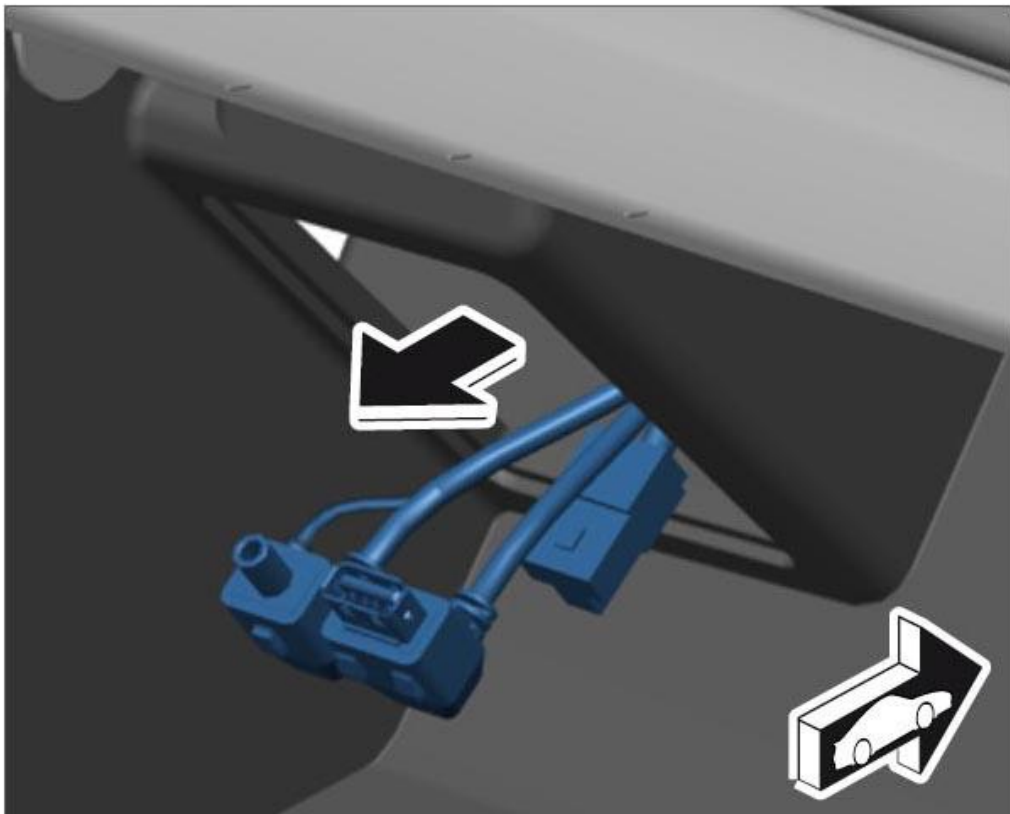


Fig. 29: Guiding Wire Harness Into Glove Compartment
Courtesy of PORSCHE CARS NORTH AMERICA, INC.

3. Position the glove compartment on the supports in the vehicle and clip it in **-arrow-** .



Fig. 30: Positioning Glove Compartment
Courtesy of PORSCHE CARS NORTH AMERICA, INC.

4. Tighten the fastening screws at the top -1- according to the tightening specifications.

→ **Tightening Torque: 3.2 Nm (2 ft. lbs.)**

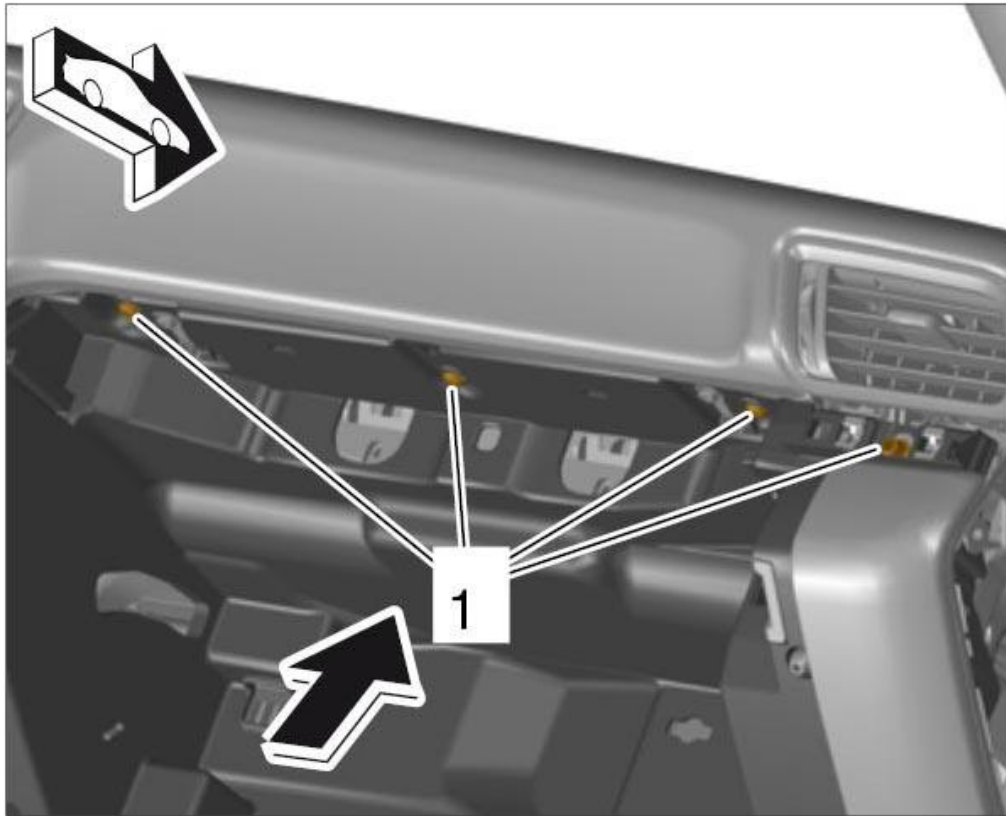


Fig. 31: Securing Glove Compartment At Top

Courtesy of PORSCHE CARS NORTH AMERICA, INC.

5. Tighten the fastening screws at the bottom -1- according to the tightening specifications.

→ **Tightening Torque: 13 Nm (9.5 ft. lbs.)**

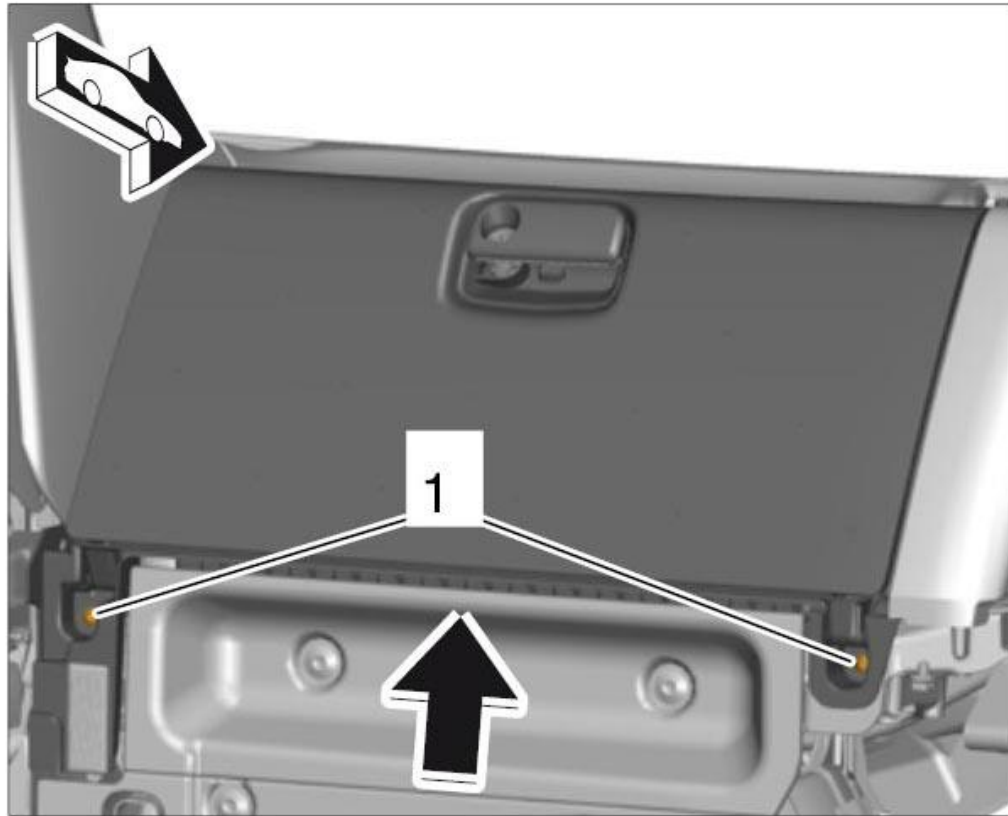


Fig. 32: Securing Glove Compartment At Bottom
Courtesy of PORSCHE CARS NORTH AMERICA, INC.

6. Tighten the fastening screw at the side -1- according to the tightening specifications.
→ **Tightening Torque: 3.2 Nm (2 ft. lbs.)**

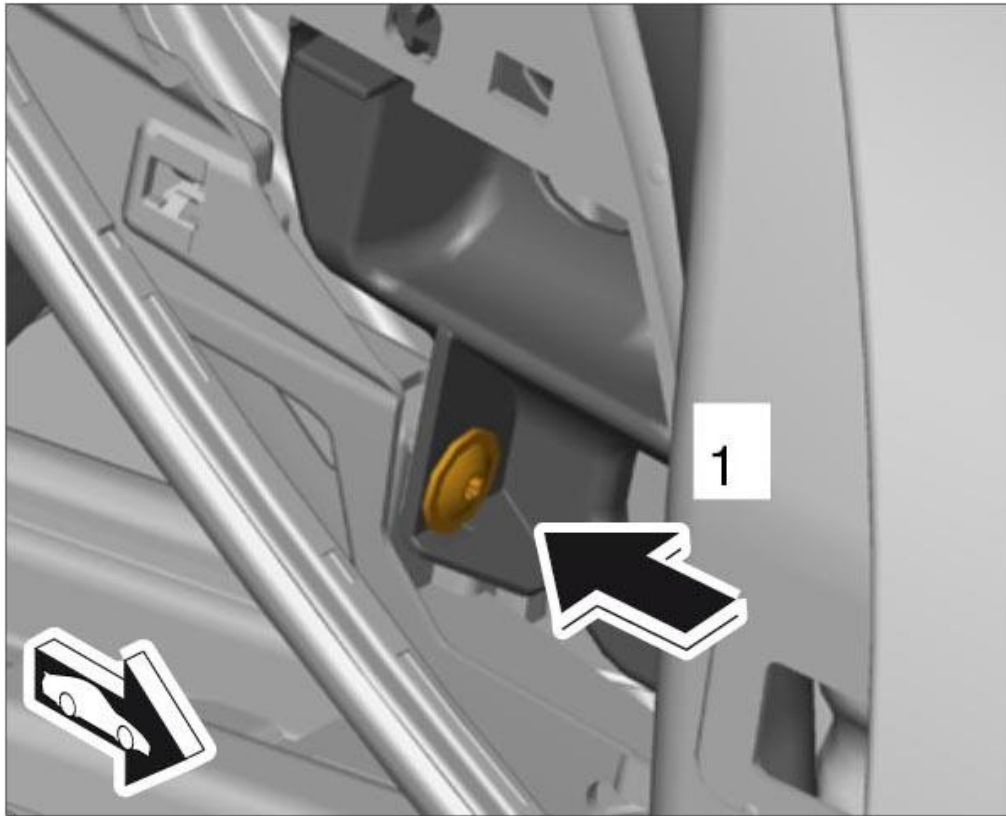


Fig. 33: Securing Glove Compartment At Side
 Courtesy of PORSCHE CARS NORTH AMERICA, INC.

SUBSEQUENT WORK

1. Install right dashboard cover. → [701619 REMOVING AND INSTALLING DASHBOARD COVER ON PASSENGER'S SIDE](#)
2. Install right cupholder. → [683019 REMOVING AND INSTALLING CUPHOLDER](#)
3. Install glove compartment → light. → [964419 REMOVING AND INSTALLING GLOVE COMPARTMENT LIGHT](#)
4. Install right footwell light. → [961519 REMOVING AND INSTALLING FOOTWELL LIGHT](#)
5. Install multimedia interface. → [912219 REMOVING AND INSTALLING MULTIMEDIA INTERFACE](#)
6. Install right center console cover. → [681419 REMOVING AND INSTALLING CENTER CONSOLE COVER](#)

WM 681619 REMOVING AND INSTALLING ODDMENTS TRAY (ALL MODELS)

TECHNICAL VALUES

Location	Description	Type	Basic Value	Tolerance 1	Tolerance 2
Fastening Screw Securing Oddments Tray To Body	Â	Tightening Torque	9.7 Nm (7.5 ft. lbs.)	Â	Â

INFORMATION

1. Front oddments tray
2. Rear oddments tray