



9Y0.012.701.A



9Y0.012.701.A-ROW



Porsche Mobile Charger Connect



US	Porsche Mobile Charger Connect Installation Manual	1
FC	Porsche Mobile Charger Connect Manuel technique	10
ESM	Porsche Mobile Charger Connect Installation Manual	19
PTB	Porsche Mobile Charger Connect Manual de instalação	31
TR	Porsche Mobile Charger Connect Kurulum Talimatları	41
RU	Porsche Mobile Charger Connect Инструкция по установке	51
UK	Porsche Mobile Charger Connect Посібник зі встановлення	63
VIE	Porsche Mobile Charger Connect Hướng dẫn lắp đặt	73
HE	Porsche Mobile Charger Connect מדריך התקנה	83
AR	Porsche Mobile Charger Connect دليل التركيب	93
JPN	Porsche Mobile Charger Connect 取り付けマニュアル	103
KOR	Porsche Mobile Charger Connect 설치 설명서	115
CHS	Porsche Mobile Charger Connect 安裝手冊	127
CHT	Porsche Mobile Charger Connect 安裝手冊	140
THA	Porsche Mobile Charger Connect คู่มือการติดตั้ง	148

English USA

- Safety** 3
- Country-Specific Regulations3
- Qualification of Personnel.....3
- Safety Instructions.....3
- Selecting the Installation Location** 4
- Tools Required4
- Installing the Basic Wall Mount**..... 5
- Installing the Plug Holder.....5
- Charging Dock Installation** 6
- Installation without Spacer**6
- Installation with Spacer**6
- Technical Data**..... 7
- Production Information** 8
- Identification Plate.....8
- Production Information** 8
- Date of Manufacture8
- Charger Manufacturer.....8
- Declaration of Conformity8
- Index**..... 9

Item number
9Y0.012.701.A-ROW

Time of printing
05/2020

Dr. Ing. h.c. F. Porsche AG is the owner of numerous trademarks, both registered and unregistered, including without limitation the Porsche Crest®, Porsche®, Boxster®, Carrera®, Cayenne®, Cayman®, Macan®, Panamera®, Spyder®, Tiptronic®, VarioCam®, PCM®, PDK®, 911®, 718®, RS®, 4S®, 918 Spyder®, FOUR, UNCOMPROMISED®, and the model numbers and the distinctive shapes of the Porsche automobiles such as, the federally registered 911 and Boxster automobiles. The third party trademarks contained herein are the properties of their respective owners. All text, images, and other content in this publication are protected by copyright. No part of this publication may be reproduced in any form or by any means without prior written permission of Porsche Cars North America, Inc. Some vehicles may be shown with non-U.S. equipment. Porsche recommends seat belt usage and observance of traffic laws at all times.
© 2019 Porsche Cars North America, Inc.

Installation instructions

Due to different requirements in various countries, the information in the thumb index tabs of this manual will be different. To ensure that you are reading the thumb index tab that applies to your country, compare the article number of the charger shown in the “Technical Data” section with the article number on the identification plate on the charger.

Further instructions

You will find information on using the charger, the basic wall mount and the charging dock in the Operating Manual for the charger. Pay particular attention to the warning and safety instructions.

Suggestions

Do you have any questions, suggestions or ideas regarding this manual?
Please contact us:
1-800-PORSCHE
customer.relations@porsche.us

Equipment

Because Porsche vehicles undergo continuous development, equipment and specifications may not be as illustrated or described in this manual. Items of equipment are sometimes optional or vary depending on the country in which the vehicle is sold. For information on retrofitting options, please contact an authorized Porsche dealer. Porsche recommends an authorized Porsche dealer, as they have trained technicians and the necessary parts and tools.

Owing to the different legal requirements in individual countries, the equipment in your vehicle may vary from that described in this Owner’s Manual. If your Porsche is fitted with any equipment not described in this manual, your authorized Porsche dealer will be glad to provide information regarding correct operation and care of the items concerned.

Warnings and symbols

Different types of warnings and symbols are used in this manual.

⚠ DANGER Serious injury or death

Failure to observe warnings in the “Danger” category will result in serious injury or death.

⚠ WARNING Possible serious injury or death

Failure to observe warnings in the “Warning” category can result in serious injury or death.

⚠ CAUTION Possible moderate or minor injury

Failure to observe warnings in the “Caution” category can result in moderate or minor injuries.

NOTICE

Failure to observe warnings in the “Notice” category can result in damage.

i Information
Additional information is indicated using the word “Information”.

- ✓ Prerequisites that must be met in order to use a function.
- ▶ Instructions that must be followed.
- 1. Instructions are numbered in cases where a sequence of steps must be followed.
- ▷ Indicates where you can find more information on a topic.

Safety

Country-Specific Regulations

Always take the following information into account when working on the voltage system:

- Every country has a national standard which guarantees the safe design and operation of grounded electrical outlets and grounded plugs. The use of such equipment and systems poses a potential hazard. Users must therefore have sufficient expertise and comply with the accepted technical standards.

Permitted operating modes

In some countries, e.g. in China¹⁾, the charger must only be operated using a permanent connection (Wallbox mode). Operation using a domestic or industrial electrical outlet (mode 2) is prohibited. Further information about country-specific regulations is available from your authorized Porsche dealer.

DANGER

Risk of fatal injury as a result of modifications

Conversion of the charger, e.g. from Wallbox mode to mobile mode 2, can cause short circuits, electric shocks, explosions, fires or burns. Risk of fatal injury!

- ▶ After the charger has been installed for Wallbox mode by specialist personnel, the charging equipment must not be removed or operated in mobile mode.
If the charger is removed and operated in mobile mode, you will be solely responsible for all resulting consequences.

Qualification of Personnel

The electrical installation may only be performed by persons with appropriate electrical/electronic knowledge and experience (electrician). These persons must be able to provide proof of the required specialist knowledge for the installation of electrical systems and their components by having passed an examination. Improper installation endangers your own life and the life of the electrical system users. With an improper installation, you risk serious property damage, e.g. due to fire. In the case of personal injury and property damage, you are personally liable, depending on the legal situation.

Requirements for qualified electricians:

- Ability to choose the appropriate tool, test equipment and personal protective gear, if necessary
- Ability to evaluate the test results
- Ability to choose the electrical installation material required for ensuring the switch-off conditions
- Knowledge of the IP protection classes
- Knowledge of how to install the electrical installation material
- Knowledge of the type of supply network (TN system, IT system and TT system) and the related connection requirements (grounding without a special grounding conductor, protective grounding, required additional measures, etc.)
- Knowledge of the general and special safety and accident prevention regulations as well as fire protection measures
- Knowledge of the electrical/electronic regulations and national regulations

Safety Instructions

DANGER

Electric shock, short circuit, fire, explosion

Use of a damaged or incorrect charger and a damaged or incorrect electrical socket, improper use of the charger or failure to observe the safety instructions can cause short circuits, electric shocks, explosions, fires or burns.

- ▶ Only use accessories, e.g. supply and vehicle cables, that have been approved and supplied by Porsche.
- ▶ Do not use a damaged and/or soiled charger. Check the cable and plug connection for damage and soiling before use.
- ▶ Only connect the charger to properly installed and undamaged electrical sockets and fault-free electrical installations.
- ▶ Do not use extension cables, cable reels, multiple sockets or (travel) adapters.
- ▶ Do not modify or repair any of the electrical components.
- ▶ Only work on the charger when it is disconnected from the power supply.

1) Time of printing. Further information is available from your Porsche partner.

US



Electric shock, fire

Incorrectly installed electrical sockets can cause electric shock or fire when the high-voltage battery is charged using the vehicle charge port.

- ▶ Power supply testing and installation and initial operation of the electrical socket for the charger may only be carried out by specialist electricians. They are fully responsible for compliance with the relevant standards and regulations. Porsche recommends that you use a certified Porsche service partner.
- ▶ The cross-section of the power cable for the electrical socket is defined in accordance with the wire length and the locally applicable regulations and standards.
- ▶ Connect the electrical socket used for charging via a separately fused electric circuit, which complies with the local laws and standards.
- ▶ The charger is designed for use in the private and semi-public sector, e.g. on private property or in company parking lots. In some countries, e.g. in Italy and New Zealand¹⁾, mode 2 charging is prohibited in the public sector and in public areas.
- ▶ Unauthorized persons, e.g. playing children, or animals must not have access to the charger or the vehicle during unsupervised charging.
- ▶ Please read the safety instructions in the Operating Manual and the Owner's Manual.

1) Time of printing. Further information is available from your authorized Porsche dealer or your local electricity supplier.



Information

In some countries, the relevant authorities must be notified when you connect electric vehicle charging equipment.

- ▶ Check obligation to notify the authorities and legal requirements for operation before connecting charging equipment.

Selecting the Installation Location



Electric shock, fire

Improper use of the charger or non-compliance with the safety instructions can cause short circuits, electric shocks, explosions, fires or burns.

- ▶ Do not install the basic wall mount or the charging dock in potentially explosive areas.
- ▶ Before installing the basic wall mount or charging dock, make sure that there are no electric wires in the area in which the mounting holes are to be drilled.
- ▶ To reduce the risk of explosion, particularly in garages, make sure that the control unit is at least 19.7 in. (50 cm) above the floor during charging.
- ▶ Observe the locally applicable electrical installation regulations, fire protection measures, accident prevention regulations and escape routes.

The basic wall mount and the charging dock are designed for installation indoors and outdoors.

The following criteria must be considered when selecting a suitable installation location:

- Install the electrical socket, basic wall mount or charging dock in a covered area away from direct sunlight and rain (e.g. in a garage) if possible.
- Do not install the basic wall mount or charging dock under hanging objects.
- Do not install the basic wall mount or charging dock in stables, livestock buildings or locations where ammonia gases occur.
- Install the basic wall mount or charging dock on a smooth surface.
- In order to ensure secure fastening, check the condition of the wall before installation.
- Install the basic wall mount or charging dock as close as possible to the preferred parking position for the vehicle. Take the orientation of the vehicle into account.
- Install the basic wall mount or charging dock so that it is not near to pathways and the supply cable does not cross any pathways.
- Install the basic wall mount or charging dock so that the distance from the power plug to the power socket does not exceed the available supply cable length.

Tools Required

- Spirit level
- Power or hammer drill
- Screwdriver

FC

ESM

PTB

TR

RU

UK

UIE

HE

AR

JPN

KOR

CHS

CHT

THA

Installing the Basic Wall Mount

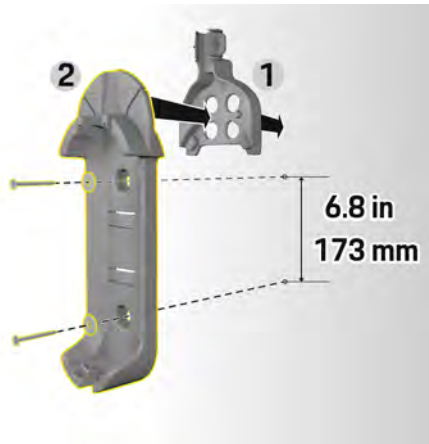


Fig. 1: Drilling dimensions

1. Mark the drill holes on the wall.
2. Drill the mounting holes and insert wall plugs.
3. Press the basic wall mount **2** into the cable guide **1** from the front.
4. Screw the basic wall mount to the wall.

Installing the Plug Holder



Fig. 2: Distance from wall mount to plug holder

When installing the plug holder, ensure a distance of 7.9 in. (200 mm) from the basic wall mount.



Fig. 3: Drilling dimensions

1. Remove plug holder **1** from the cover **2**.
2. Mark the drill holes on the wall.
3. Drill the mounting holes and insert wall plugs.
4. Screw the plug holder **1** to the wall.
5. Fit the cover **2** onto the plug holder **1** from below and press it upwards.

US

FC

ESM

PTB

TR

RU

UK

VIE

HE

AR

JPN

KOR

CHS

CHT

THA

US

FC

ESM

PTB

TR

RU

UK

VIE

HE

AR

JPN

KOR

CHS

CHT

THA

Charging Dock Installation

There are two options for securing the charging dock. The installation variant depends on the type of power cable (exposed or concealed).

- **Installation without spacer (concealed power cable):** The mounting plate is fitted directly to the wall.
- **Installation with spacer (exposed power cable):** The mounting plate is fitted on the wall using a spacer for the power cable.

Installation without Spacer

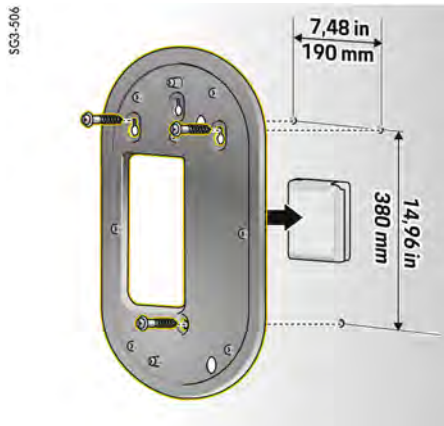


Fig. 4: Drilling dimensions

1. Mark the drill holes on the wall.
2. Drill the mounting holes and insert wall plugs.
3. Screw the mounting plate to the wall.

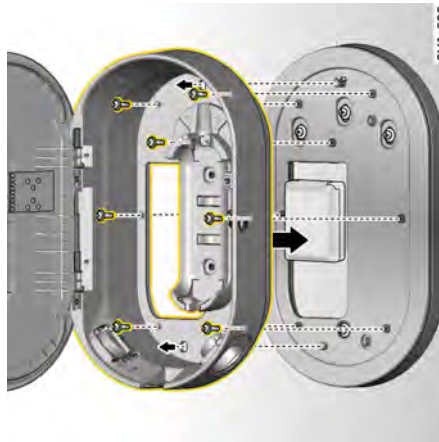


Fig. 5: Screwing charging dock to mounting plate

4. Screw the charging dock to the mounting plate.

Installation with Spacer

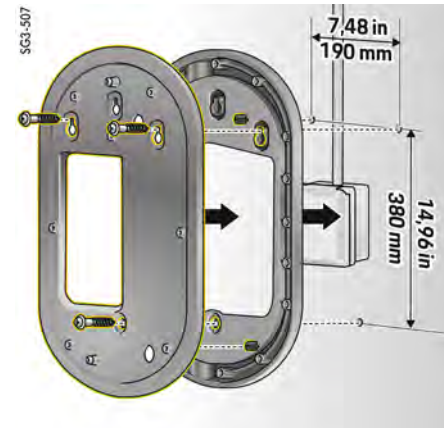


Fig. 6: Drilling dimensions

1. Mark the drill holes on the wall.
2. Drill the mounting holes and insert wall plugs.
3. Screw the mounting plate together with the spacer to the wall.

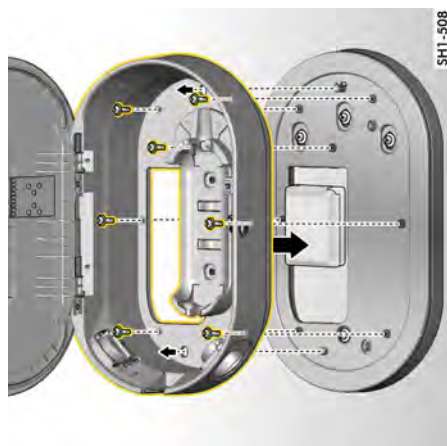


Fig. 7: Screwing charging dock to mounting plate

- Screw the charging dock to the mounting plate.

Technical Data

Electrical data	9Y0.971.675.BL
Power	9.6 kW
Rated current	40 A
Rated voltage	120/208-240 V ~, 120 V to ground
Phases	1
Power supply frequency	50 Hz/60 Hz
Overtoltage category (IEC 60664)	II
Integrated residual current device	Type A (AC: 20 mA) + DC: 56 mA
Protection class	I

Degree of protection	IP55 (USA: Enclosure 3R)
Transmission frequency bands	2.4 GHz, 5 GHz
Transmission power	20 dBm

Mechanical data	
Weight of control unit	5.6 lbs. (2.54 kg)
Vehicle cable length	8.2 ft. or 24.6 ft. (2.5 m or 7.5 m)
Supply cable length	1 ft. (0.3 m)

Mechanical data for basic wall mount	
Basic wall mount dimensions	15.2 x 5.3 x 2.6 in. (385 x 135 x 65 mm) (length x width x height)

Weight of basic wall mount	approx. 0.99 lbs. (0.45 kg)
Cable guide dimensions	5 x 4.5 x 5.5 in. (127 x 115 x 139 mm) (length x width x height)

Weight of cable guide	approx. 0.9 lbs. (0.42 kg)
-----------------------	-------------------------------

Plug holder dimensions	5.35 x 1.96 x 6.81 in. (136 x 50 x 173 mm) (length x width x height)
------------------------	--

Weight of plug holder	approx. 5 oz (0.14 kg)
Weight of basic wall mount, complete	approx. 2.2 lbs (1 kg)

Mechanical data for charging dock	
Charging dock dimensions	14.7 x 25.2 x 9.1 in. (373 x 642 x 232 mm) (width x height x depth)

Weight of charging dock	approx. 21.4 lbs (9.7 kg)
-------------------------	---------------------------

Ambient and storage conditions	
Ambient temperature	-22 °F to +122 °F (-30 °C to +50 °C)
Humidity	5%–95% non-condensing
Elevation	max. 16,404 ft. (5,000 m) above sea level

US

FC

ESM

PTB

TR

RU

UK

VIE

HE

AR

JPN

KOR

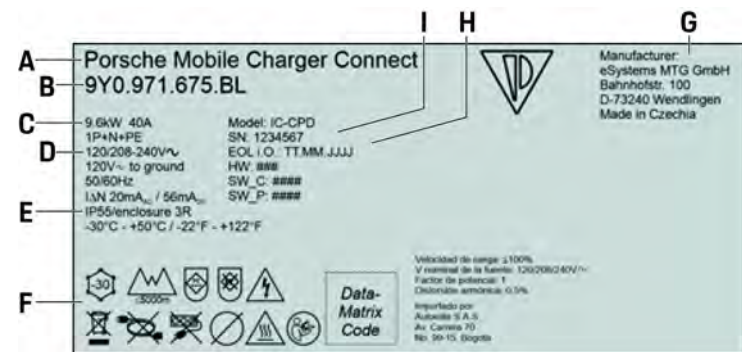
CHS

CHT

THA

Production Information

Identification Plate



- A Product name
- B Article number
- C Power and rated current
- D Rated voltage
- E Degree of protection
- F Icons for operation
- G Manufacturer
- H Date of manufacture
- I Serial number

Fig. 8: Identification plate (example)

Production Information

Date of Manufacture

You will find the date of manufacture of the charger on the identification plate after the abbreviation "EOL i.O.".

It is specified in the following format:

Day of production.Month of production.Year of production

Charger Manufacturer

eSystems MTG GmbH
 Bahnhofstraße 100
 73240 Wendlingen
 Germany

Declaration of Conformity

The charger features a radio system. The manufacturer of this radio system declares that it complies with the specifications for its use pursuant to Directive 2014/53/EU. The full text of the EU Declaration of Conformity is available at the following Internet address:

<http://www.porsche.com/international/accessoriesandservice/porscheservice/vehicleinformation/documents>

Index

A

Ambient and storage conditions.....	7
Article number of the manual.....	2

C

Charging Dock Installation.....	6
Charging Dock installation	
Installation with Spacer.....	6
Installation without Spacer.....	6
Country-specific regulations.....	3

D

Date of manufacture.....	8
Declaration of conformity.....	8

E

Electrical permanent connection.....	7
--------------------------------------	---

I

Importers.....	8
Installing the Basic Wall Mount.....	5
Installing the Plug Holder.....	5

M

Manufacturer.....	8
-------------------	---

P

Permitted operating modes.....	3
Production information.....	8

Q

Qualification of personnel.....	3
---------------------------------	---

S

Safety.....	3
Safety instructions.....	3
Selecting the Installation Location.....	4
Serial number.....	8

T

Technical Data.....	7
Electrical data.....	7
Mechanical data.....	7
Mechanical data for basic wall mount.....	7
Mechanical data for charging dock.....	7
Tools required.....	4