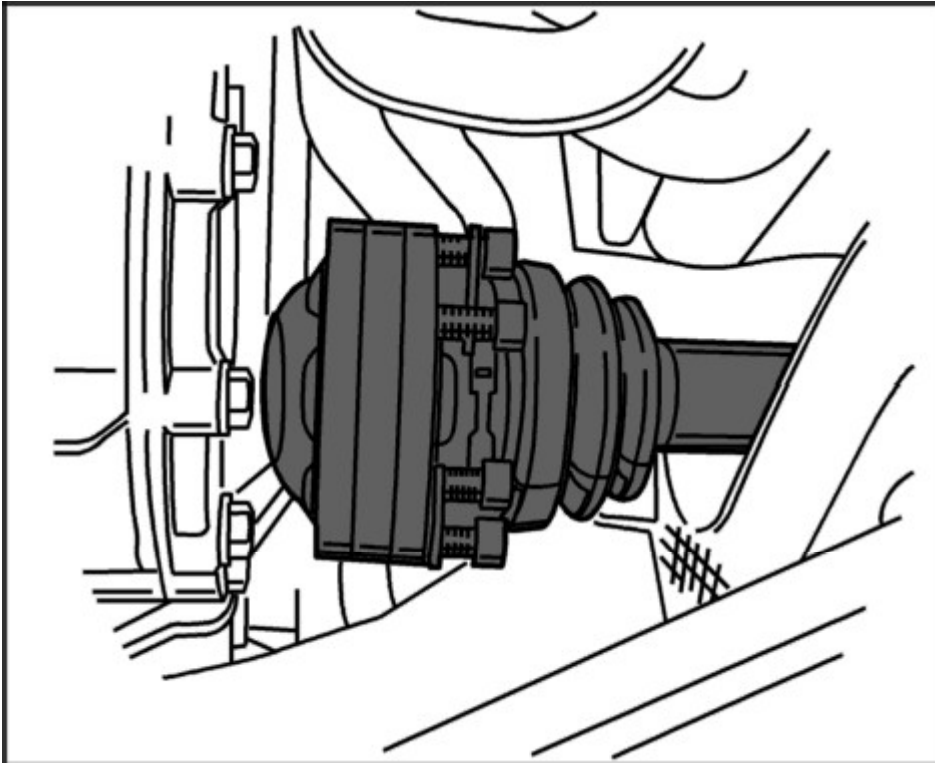


## 2006 Porsche Cayman S

SUSPENSION Rear wheel suspension, drive shafts

*transmissions.*



**Fig. 2: Drive shaft**

Courtesy of PORSCHE OF NORTH AMERICA, INC.

1. Fit protective tube for drive shaft (shop-made tube to protect against mechanical damage).

Remove drive shafts at transmission side (six hexagon socket head bolts).