

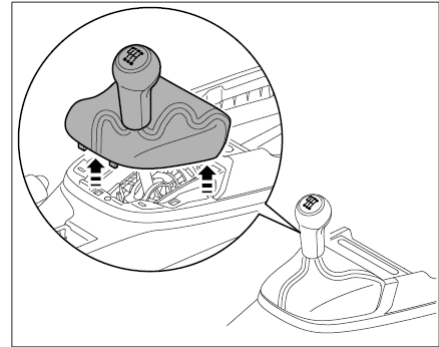
The present document was valid at the time of print. A later version may be available online

WM 340419 Removing and installing shift lever knob

Removing shift lever knob

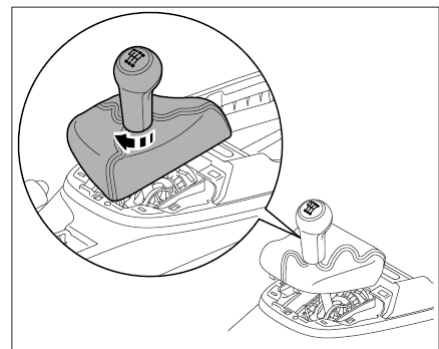
Removing shift-lever knob

1. Unclip retaining frame for the leather sleeve in an upward direction using an assembly wedge.



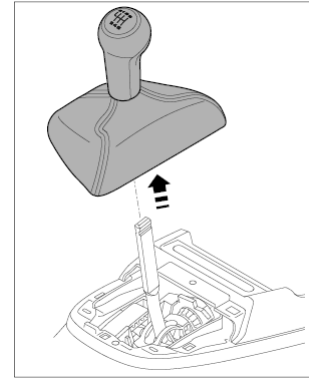
Unclipping leather sleeve

2. Turn leather sleeve clockwise by 90° as far as it will go.



Turning leather sleeve clockwise

3. Pull shift-lever knob up and off the shift lever.

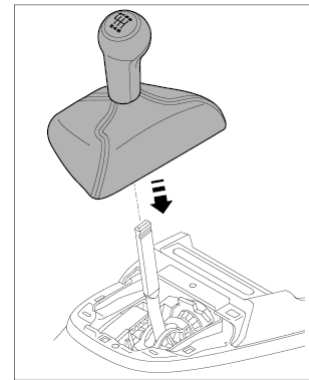


Pulling off shift-lever knob

Installing shift lever knob

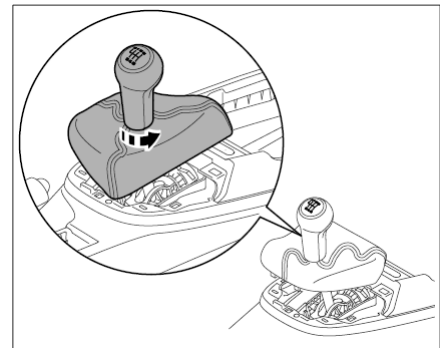
Installing shift-lever knob

1. Push shift-lever knob fully onto the shift lever.



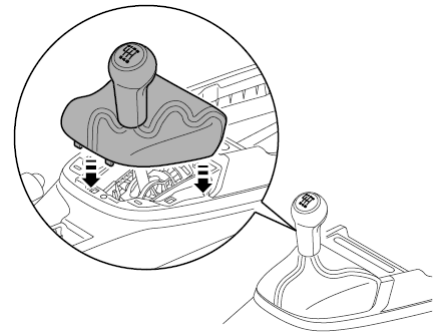
Pushing on shift-lever knob

2. Turn leather sleeve anti-clockwise by 90° as far as it will go.



Turning leather sleeve anti-clockwise

3. Clip retaining frame of the leather sleeve into the centre console



Clipping in leather sleeve

987110, 987111, 987120, 987121, 987140, 987141, 987160, 987161, 987310, 987311, 987320, 987321, 987330, 987340, 987360, 987361, 987371, 987381, 987740, 987741

Model year as of 2005

C00, C02, C05, C07, C08, C09, C10, C11, C12, C13, C14, C15, C16, C18, C19, C20, C21, C22, C23, C24, C25, C26, C27, C28, C32, C33, C34, C35, C36, C37, C38, C39, C45, C46, C98, C99